

US00D763365S

(12) **United States Design Patent**
Timg

(10) **Patent No.:** **US D763,365 S**

(45) **Date of Patent:** **** Aug. 9, 2016**

- (54) **STRETCHER BLOCK MODEL CONSTRUCTION COMPONENT**
- (71) Applicant: **Buster Timg**, Brooklyn, NY (US)
- (72) Inventor: **Buster Timg**, Brooklyn, NY (US)
- (**) Term: **15 Years**
- (21) Appl. No.: **29/527,463**
- (22) Filed: **May 19, 2015**
- (51) **LOC (10) Cl.** **21-01**
- (52) **U.S. Cl.**
USPC **D21/501**
- (58) **Field of Classification Search**
USPC D21/386, 389, 404, 468, 470, 471, D21/484-505; 446/69, 85, 102-128; 434/208, 259, 403; 273/153, 156, 160; D25/113-116, 118
CPC A63H 33/00; A63H 33/04; A63H 33/044; A63H 33/06; A63H 33/08; A63H 33/084; A63H 33/086; A63H 33/088; A63H 33/10; A63H 33/12; A63H 33/105; A63H 33/108; A63H 3/00; A63H 3/16; A63H 3/46; E04C 1/00; E04C 1/40; E04B 2/14; E04B 2/16; E04B 2/18
See application file for complete search history.

5,457,926	A *	10/1995	Jensen	E04B 2/18
					52/309.4
6,073,404	A	6/2000	Norfleet		
6,746,297	B2	6/2004	Robjent		
7,186,161	B2	3/2007	Salas Peralta		
D594,512	S	6/2009	Richards		
8,176,697	B1 *	5/2012	Bolander, II	E04B 2/16
					52/309.12
D673,302	S *	12/2012	D'Avela	D25/114
D673,303	S *	12/2012	D'Avela	D25/114
8,382,548	B2	2/2013	Maggiore		
D686,756	S *	7/2013	Nanayakkara	D25/113
D695,914	S *	12/2013	Nanayakkara	D25/113
D708,765	S *	7/2014	MacDonald	D25/113
9,068,342	B2 *	6/2015	D'Avela	E04B 2/14

FOREIGN PATENT DOCUMENTS

EP	0048560	3/1982
WO	WO9929975	6/1999
WO	WO2011008555	1/2011

* cited by examiner

Primary Examiner — Cynthia M Chin
(74) *Attorney, Agent, or Firm* — Goldstein Law Offices, P.C.

(57) **CLAIM**

The ornamental design for a stretcher block model construction component, as shown and described.

DESCRIPTION

FIG. 1 is a perspective view of the stretcher block model construction component.

FIG. 2 is a top plan view thereof

FIG. 3 is a bottom plan view thereof, wherein portions of the drawing shown in broken lines form no part of the claimed design.

FIG. 4 is a front elevational plan view thereof.

FIG. 5 is a rear elevational view thereof.

FIG. 6 is a left side elevational view thereof; and,

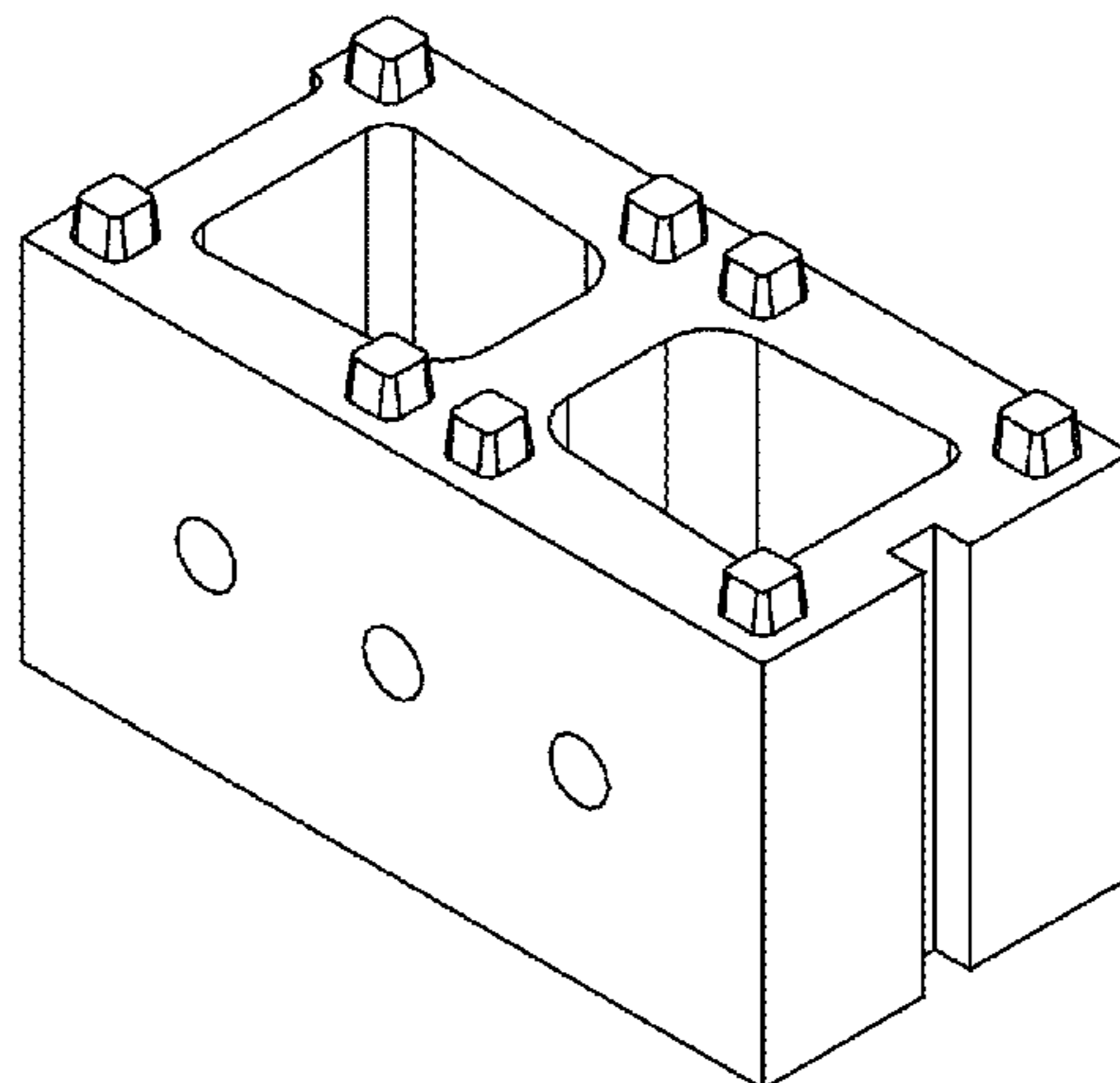
FIG. 7 is a right side elevational view thereof.

1 Claim, 4 Drawing Sheets

(56) **References Cited**

U.S. PATENT DOCUMENTS

3,002,315	A	10/1961	Kuhn		
3,195,266	A	7/1965	Onanian		
4,107,894	A *	8/1978	Mullins	E04B 2/18
					52/592.6
D281,627	S *	12/1985	dos Santos	D25/118
5,230,195	A *	7/1993	Sease	E04B 2/18
					52/309.9
5,421,135	A *	6/1995	Stevens	E04B 2/16
					405/284



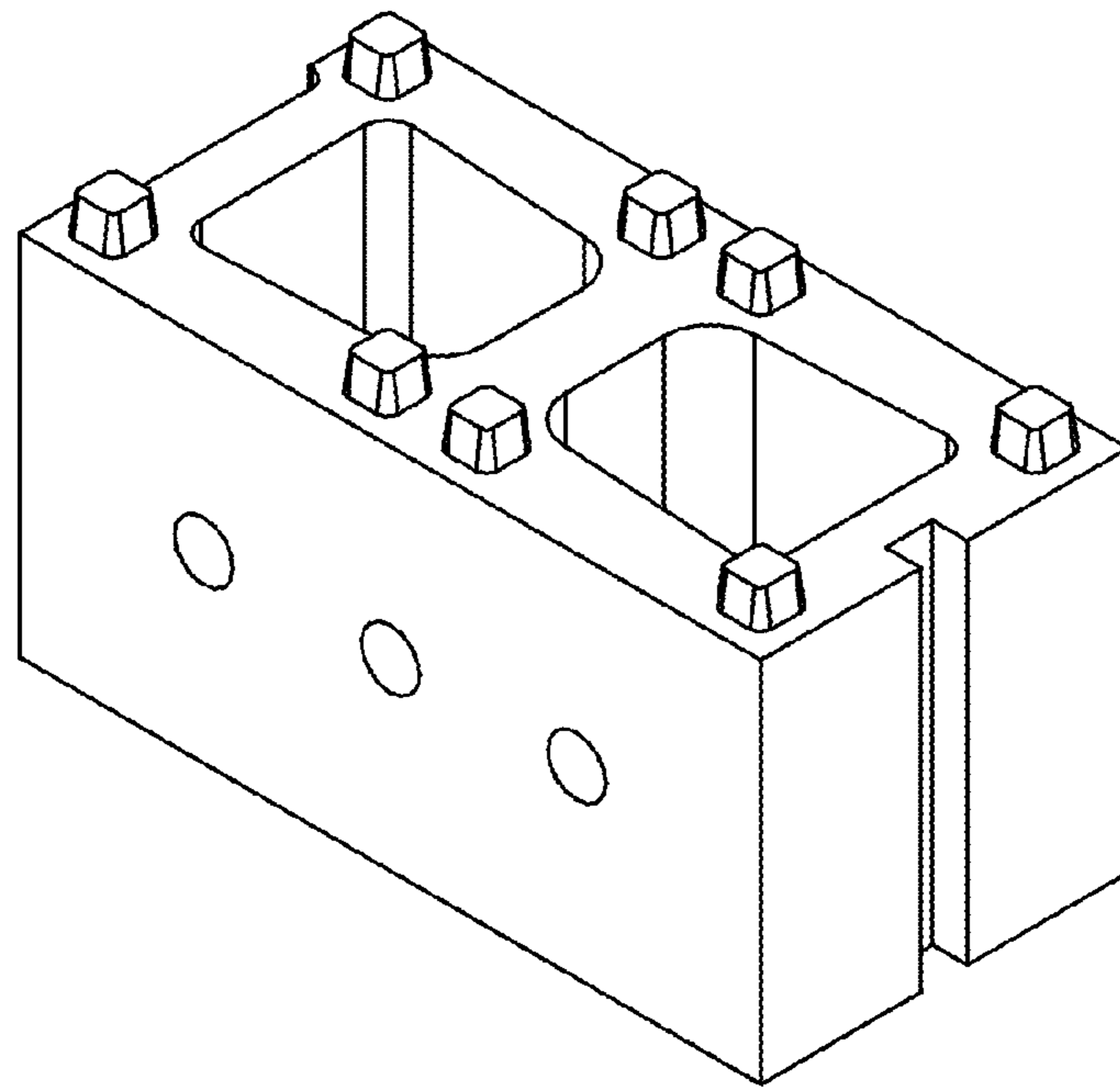


FIG. 1

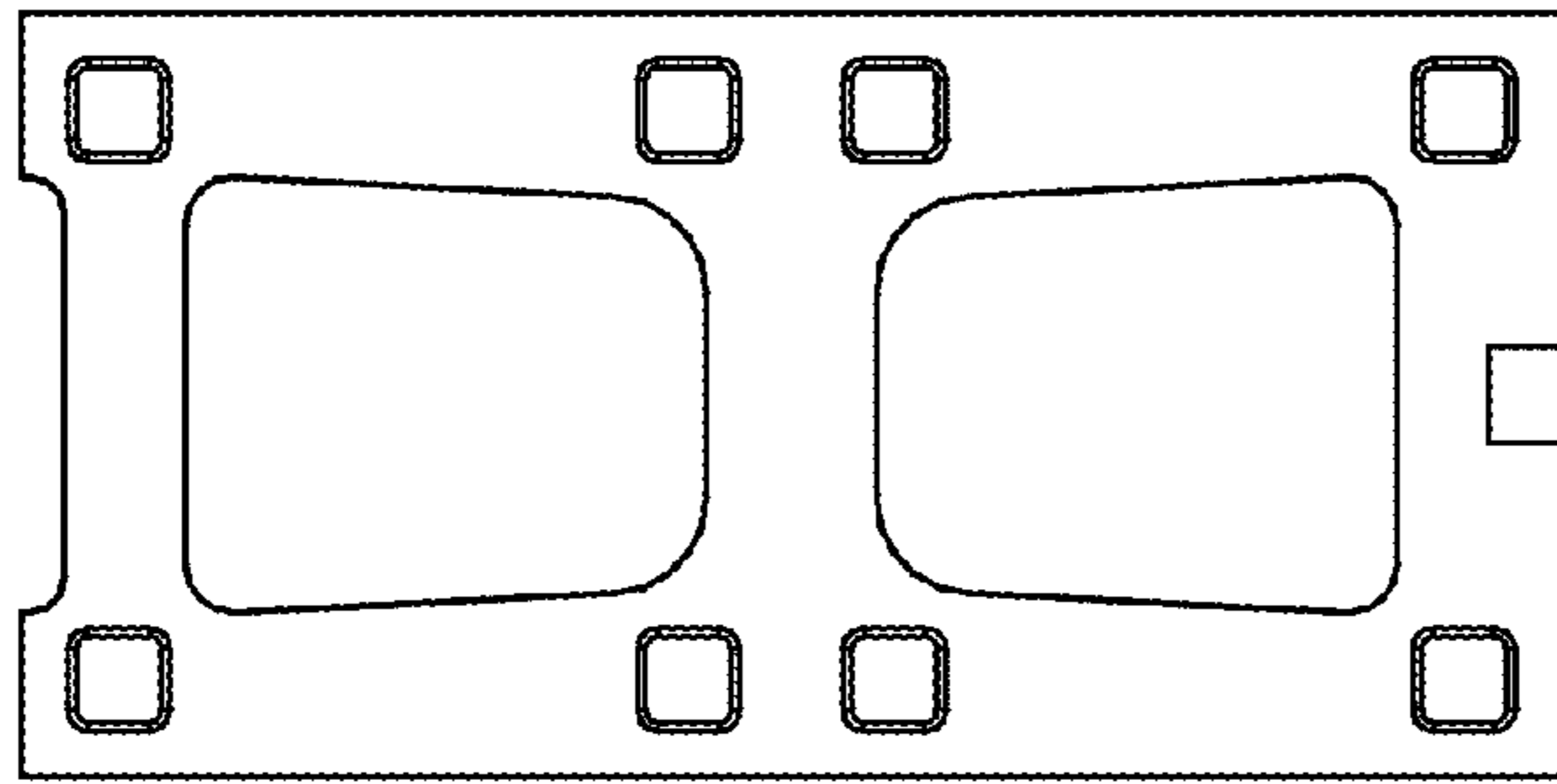


FIG. 2

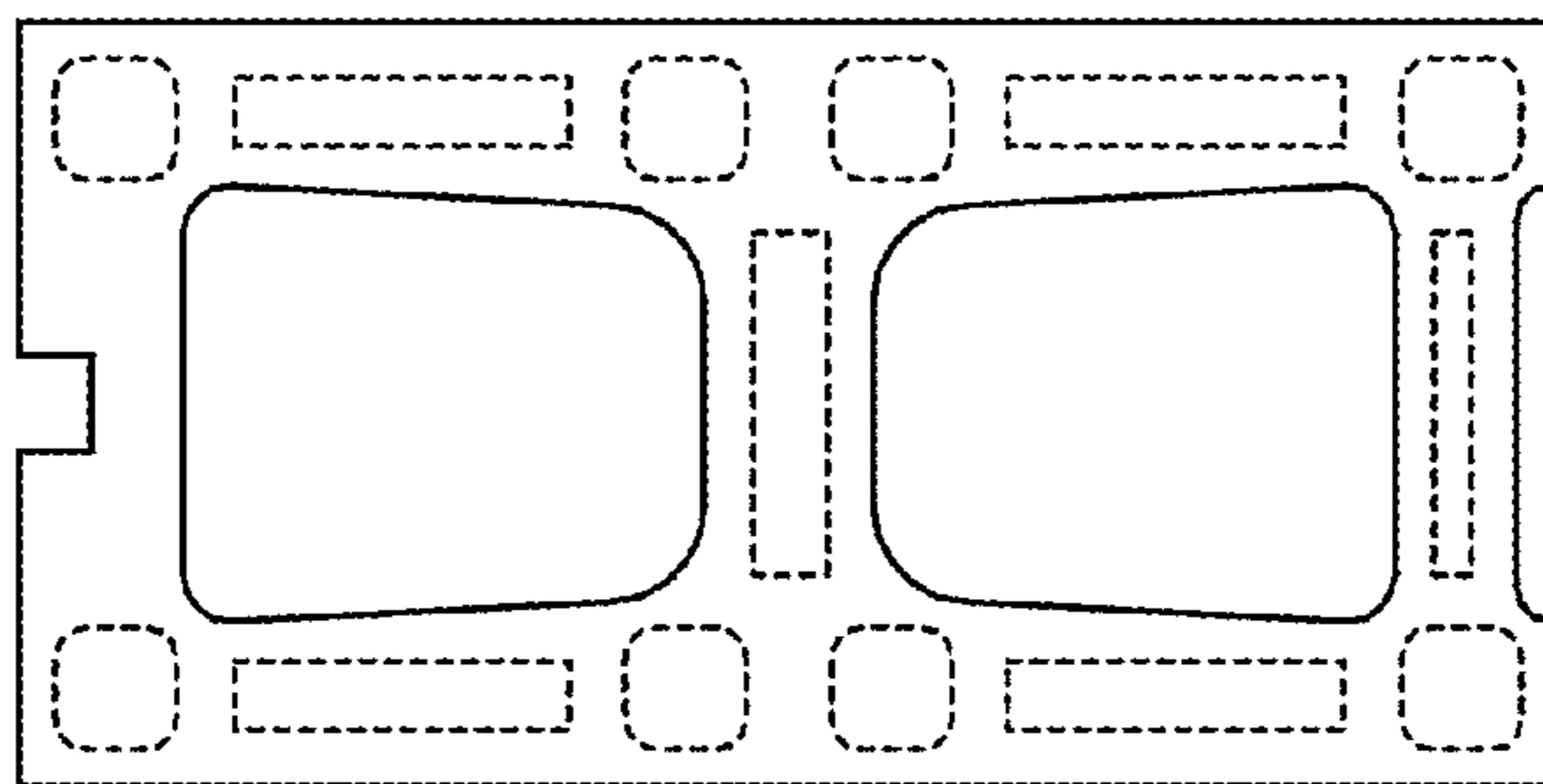


FIG. 3

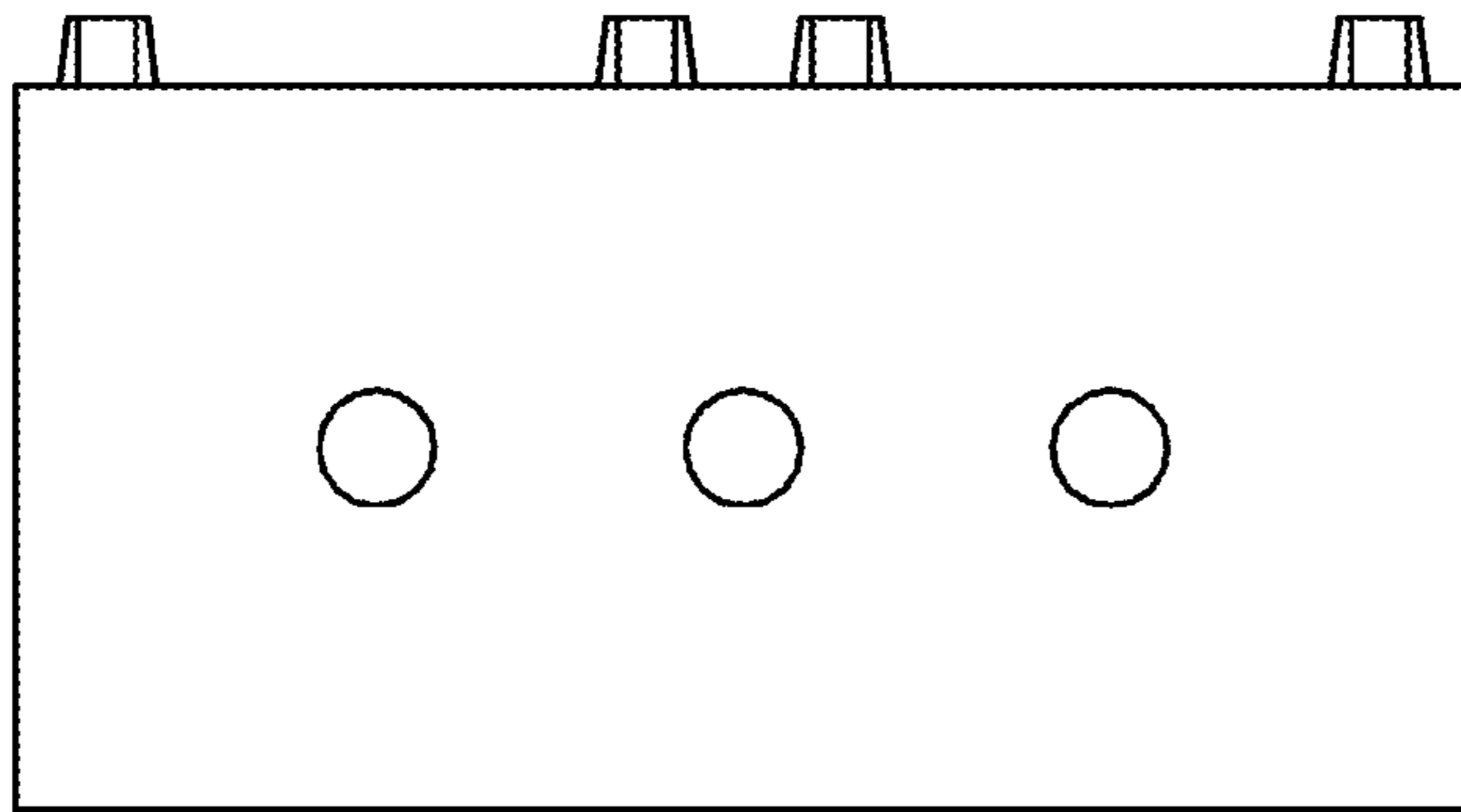


FIG. 4

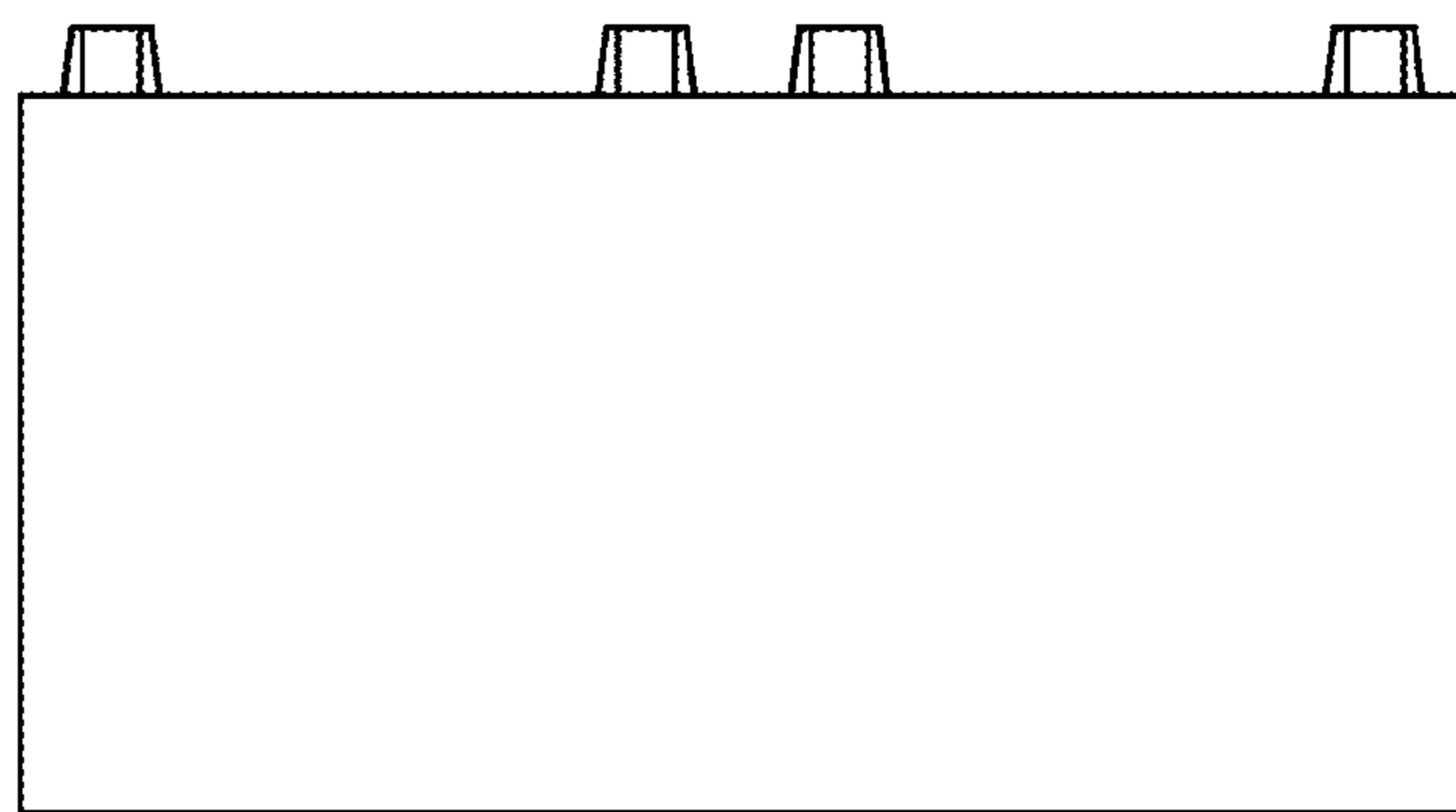


FIG. 5

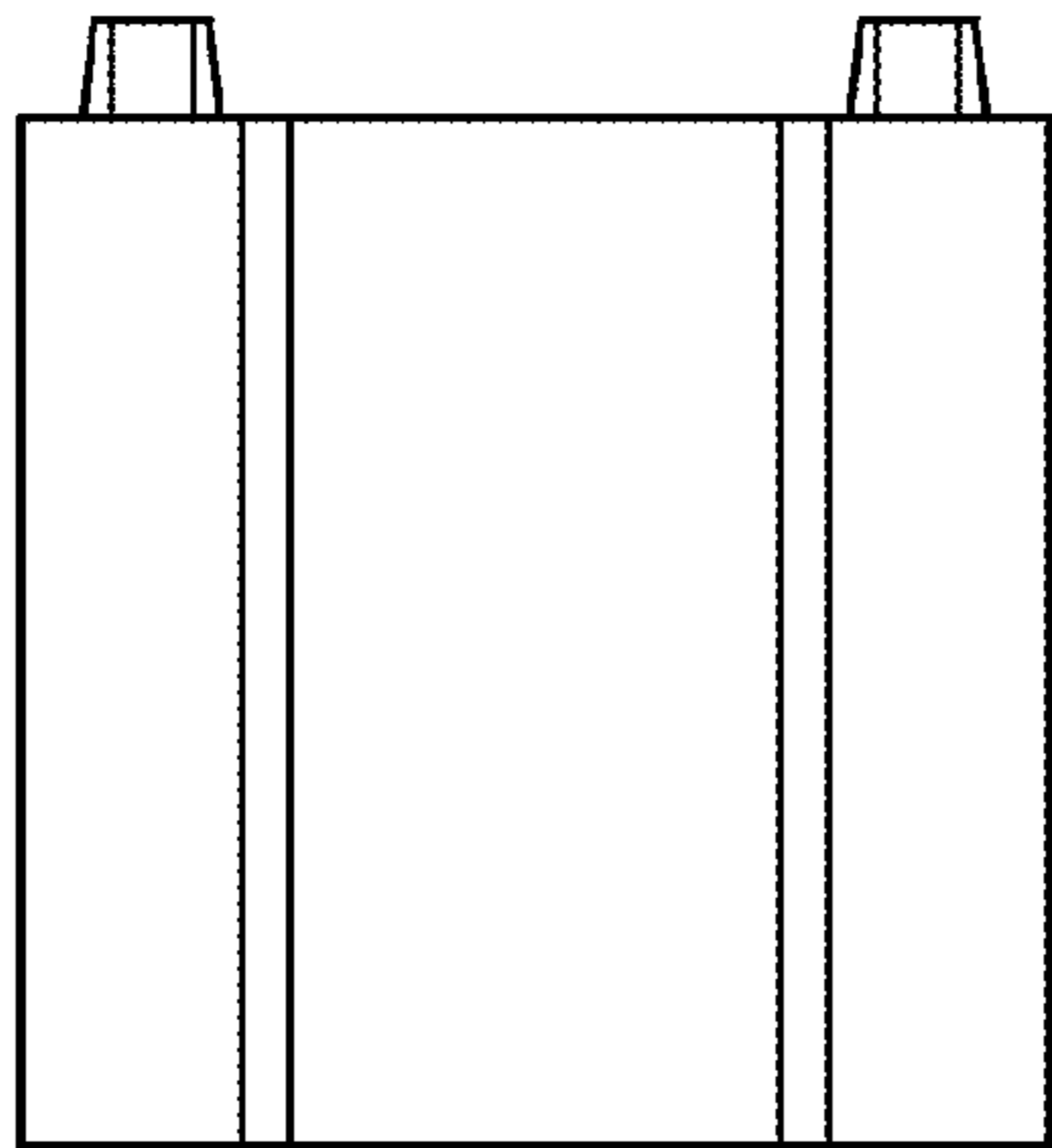


FIG. 6

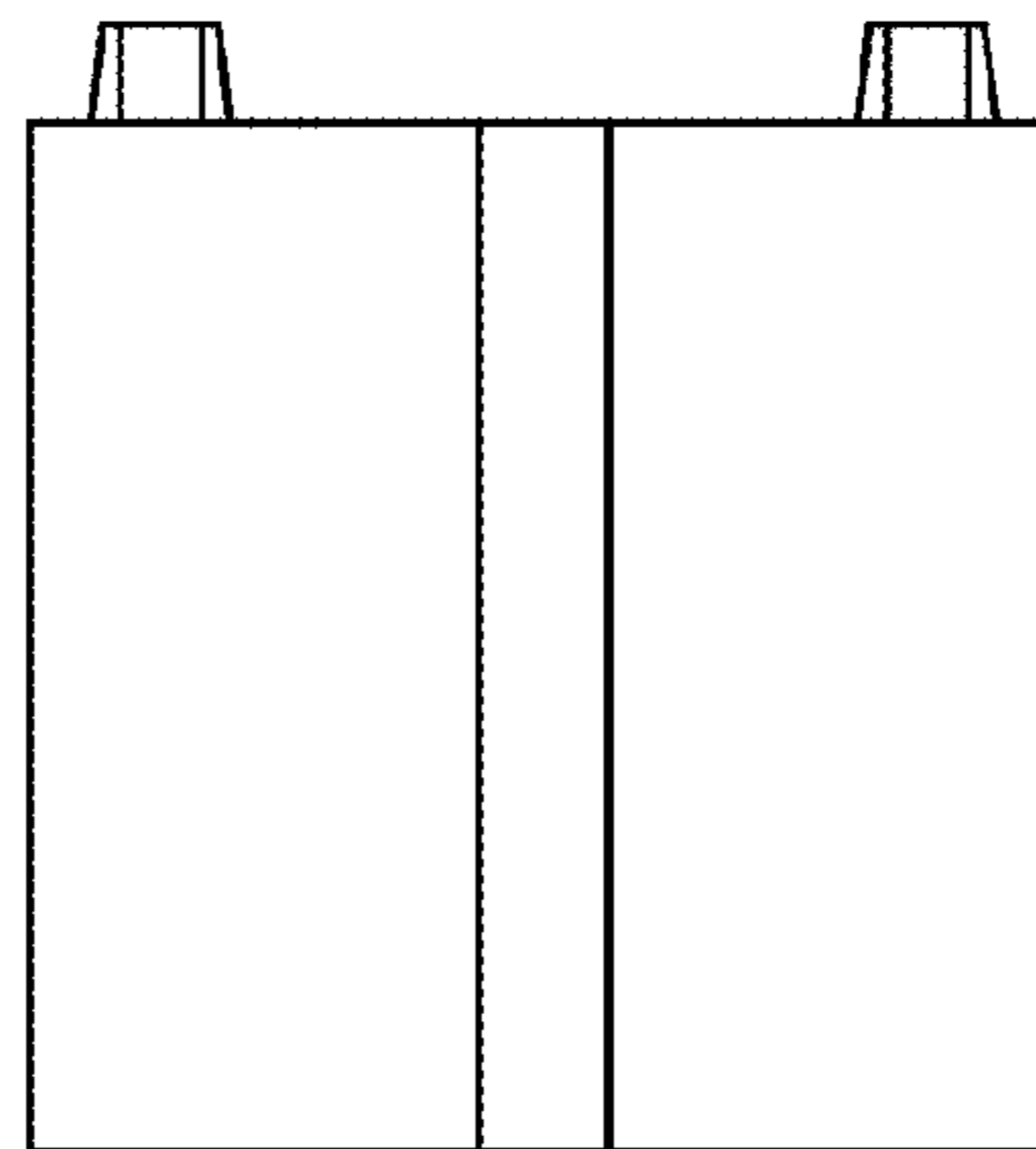


FIG. 7