

US00D763363S

(12) **United States Design Patent**
Rottier et al.

(10) **Patent No.:** **US D763,363 S**

(45) **Date of Patent:** **** Aug. 9, 2016**

(54) **GAMING TABLE**

(71) Applicant: **NQDS, LLC**, Shorewood, MN (US)

(72) Inventors: **Eric Michael Rottier**, Shorewood, MN (US); **James Moorman**, Bloomington, MN (US); **Matthew Berbee**, Shorewood, MN (US); **David Beach**, Shorewood, MN (US)

(73) Assignee: **NQDS, LLC**, Shorewood, MN (US)

(**) Term: **14 Years**

(21) Appl. No.: **29/508,381**

(22) Filed: **Nov. 5, 2014**

(51) **LOC (10) Cl.** **21-01**

(52) **U.S. Cl.**
USPC **D21/397**

(58) **Field of Classification Search**
USPC D21/397; D6/685
CPC A63F 3/00028
See application file for complete search history.

(56) **References Cited**

U.S. PATENT DOCUMENTS

491,971 A	2/1893	Williams et al.	
D161,845 S *	2/1951	Larson	273/309
2,693,962 A	11/1954	Stevens	
D204,390 S *	4/1966	Bodicky	D21/369
D223,765 S *	6/1972	O'Leary	D21/397
3,831,948 A	8/1974	Suda	
3,834,713 A	9/1974	Ito et al.	
D233,497 S *	11/1974	Zelkowitz	D21/397
D237,563 S *	11/1975	Gerber et al.	D21/397
D239,843 S *	5/1976	Freeman	D21/397
4,428,579 A	1/1984	Miller	
D279,801 S *	7/1985	Brockenshire	D21/393
5,031,914 A	7/1991	Rosenthal	
D357,149 S *	4/1995	Uselman	D21/397
5,449,174 A	9/1995	Criner	
D365,486 S *	12/1995	Perry	5/946

5,556,101 A	9/1996	Jabro	
5,885,157 A	3/1999	Harada et al.	
6,402,141 B1	6/2002	Verstraeten	
6,755,416 B2	6/2004	Nakamoto et al.	
D536,394 S *	2/2007	Meoli	D21/397
7,744,087 B2	6/2010	Tseng	
7,744,088 B2	6/2010	Tseng	
7,775,522 B2	8/2010	Tseng	
7,780,166 B1	8/2010	Paxton et al.	

(Continued)

FOREIGN PATENT DOCUMENTS

EP	0 635 289	1/1995
WO	WO 2009/019674	2/2009

Primary Examiner — George D Kirschbaum

(74) *Attorney, Agent, or Firm* — Merchant & Gould P.C.

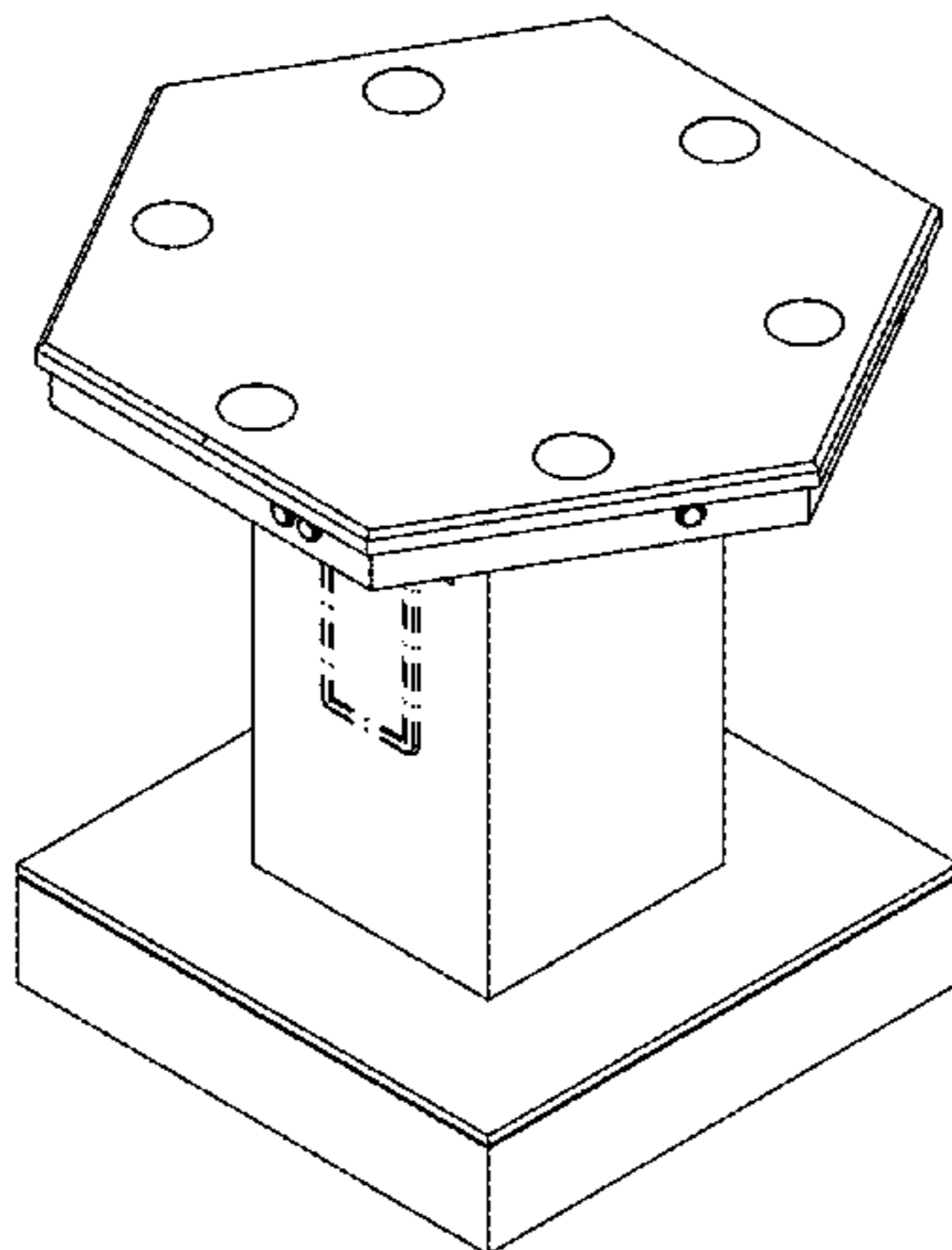
(57) **CLAIM**

The ornamental design for a gaming table, as shown and described.

DESCRIPTION

FIG. 1 is a top angled perspective view of a gaming table according to an embodiment of the present disclosure; FIG. 2 is a front side view thereof; FIG. 3 is a back side view thereof; FIG. 4 is a right side view thereof; FIG. 5 is a left side view thereof; FIG. 6 is a top view thereof; FIG. 7 is a bottom view thereof; FIG. 8 is a top angled perspective view of a second embodiment of the present disclosure; FIG. 9 is a front side view thereof; FIG. 10 is a back side view thereof; FIG. 11 is a right side view thereof; FIG. 12 is a left side view thereof; FIG. 13 is a top view thereof; and, FIG. 14 is a bottom view thereof. The broken lines depict unclaimed environmental subject matter.

1 Claim, 14 Drawing Sheets



(56)

References Cited

U.S. PATENT DOCUMENTS

7,857,310 B2 12/2010 Yoshizawa
7,874,905 B2 1/2011 Yoshizawa
8,079,593 B2 12/2011 Nicely et al.
8,109,832 B2 2/2012 Hsu et al.
8,210,923 B2 7/2012 Kido et al.
8,215,640 B2 7/2012 Sasaki

8,235,812 B2 8/2012 Baerlocher et al.
8,376,362 B2 2/2013 Nicely et al.
8,419,550 B2 4/2013 Anthony et al.
8,430,408 B2 4/2013 Baerlocher et al.
8,622,391 B2 1/2014 Nicely et al.
2008/0246214 A1 10/2008 Toyoda
2008/0248864 A1 10/2008 Toyoda
2009/0256310 A1 10/2009 Sanchez
2011/0018194 A1 1/2011 Nicely et al.

* cited by examiner

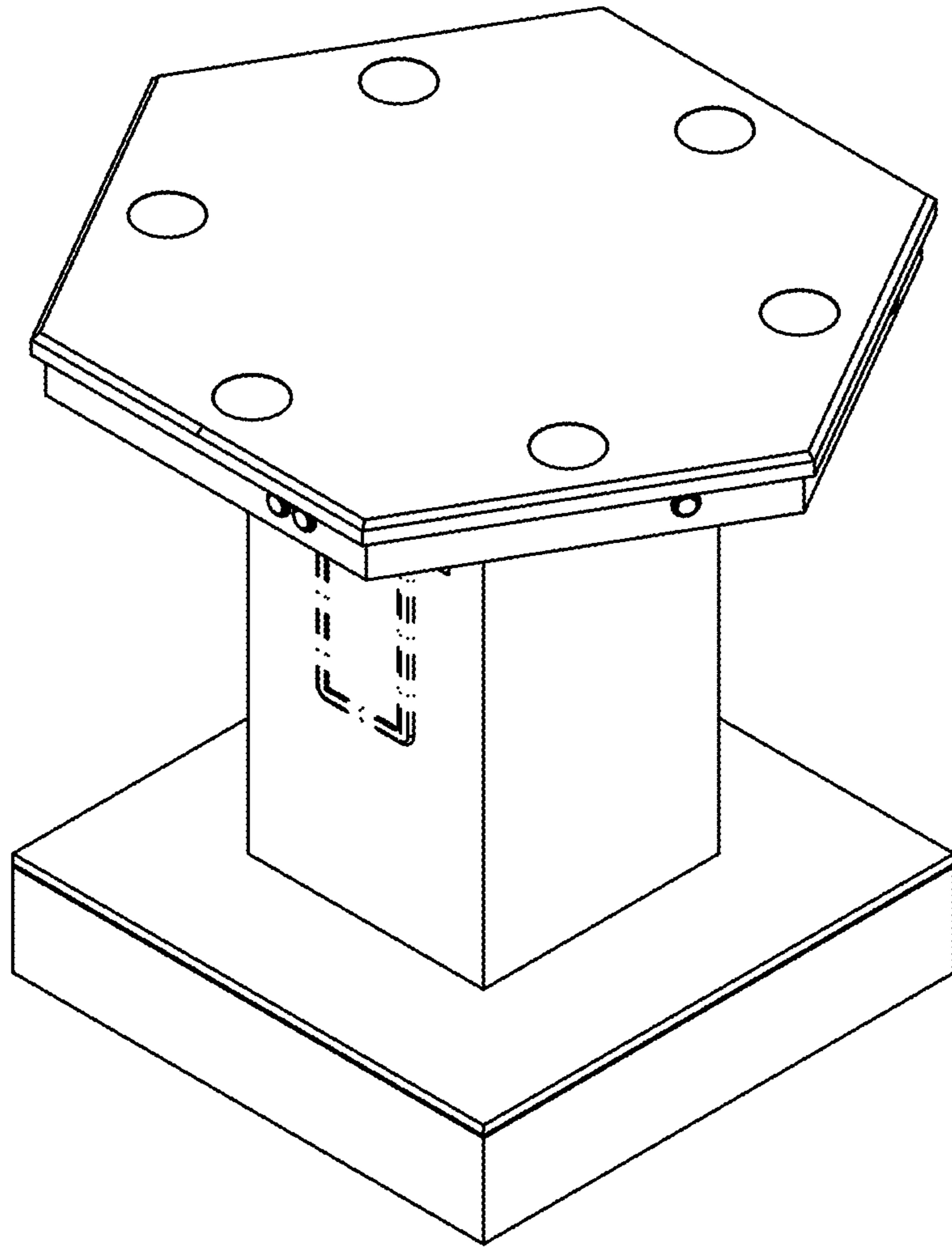


FIG. 1

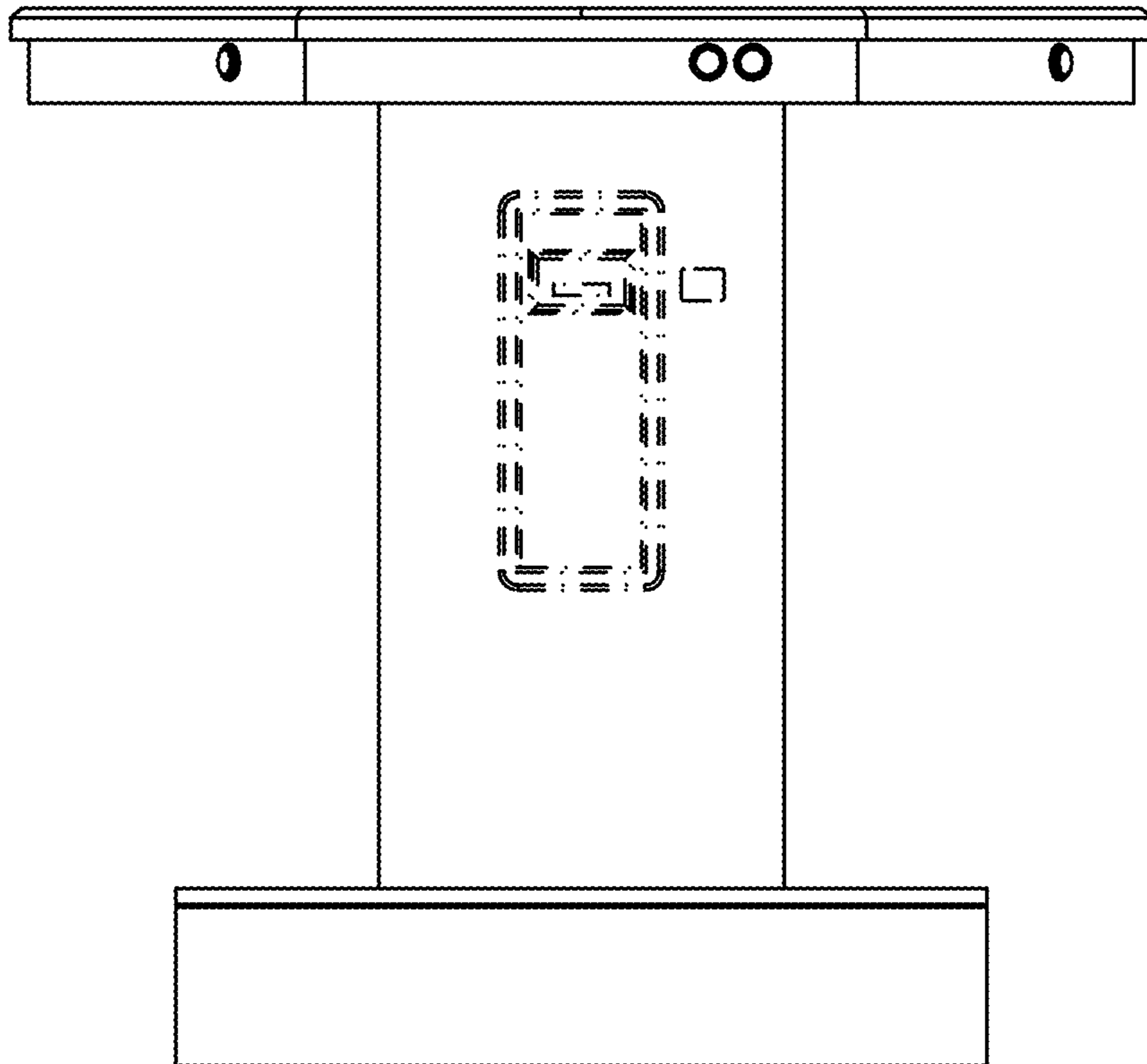


FIG. 2

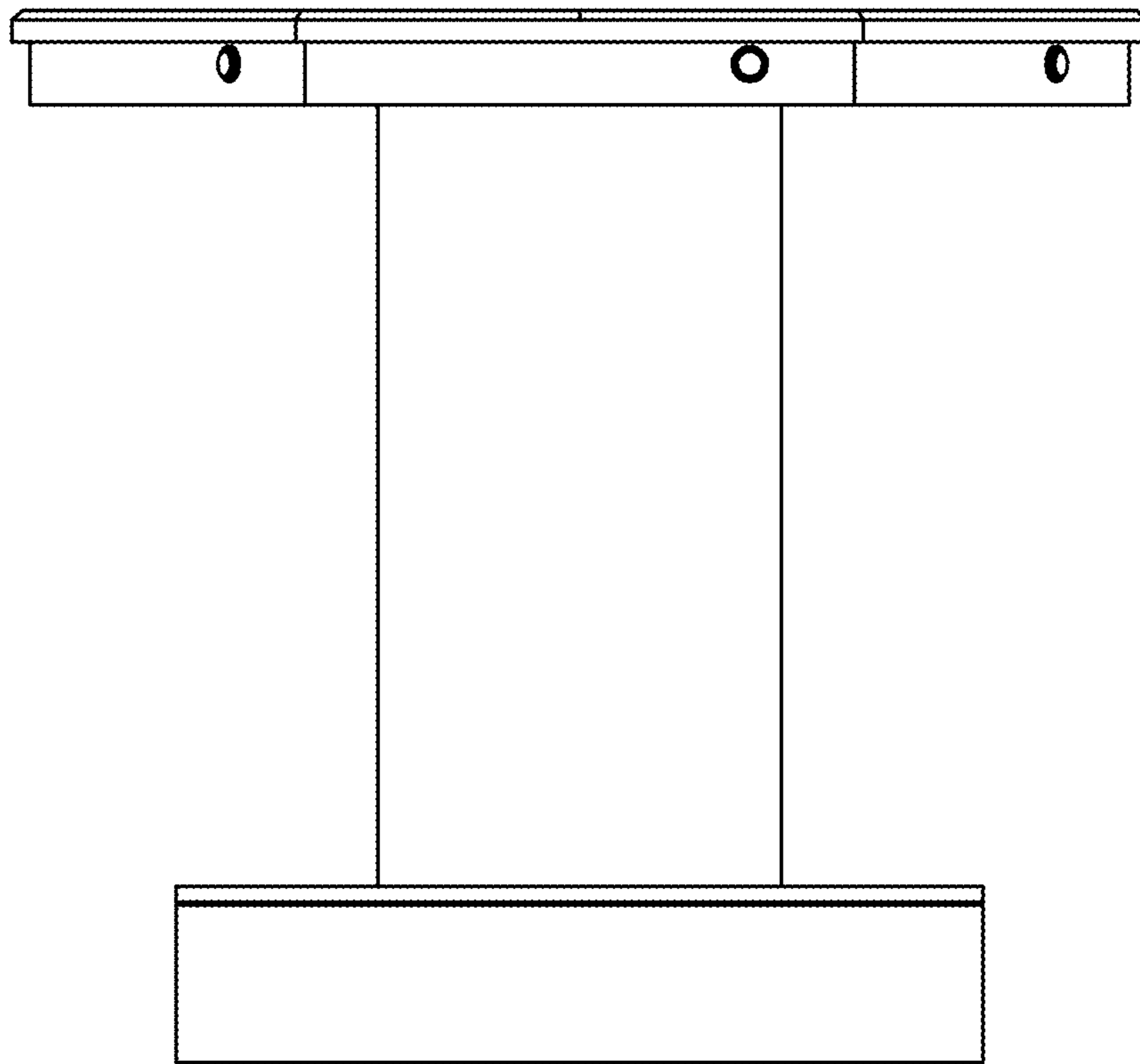


FIG. 3

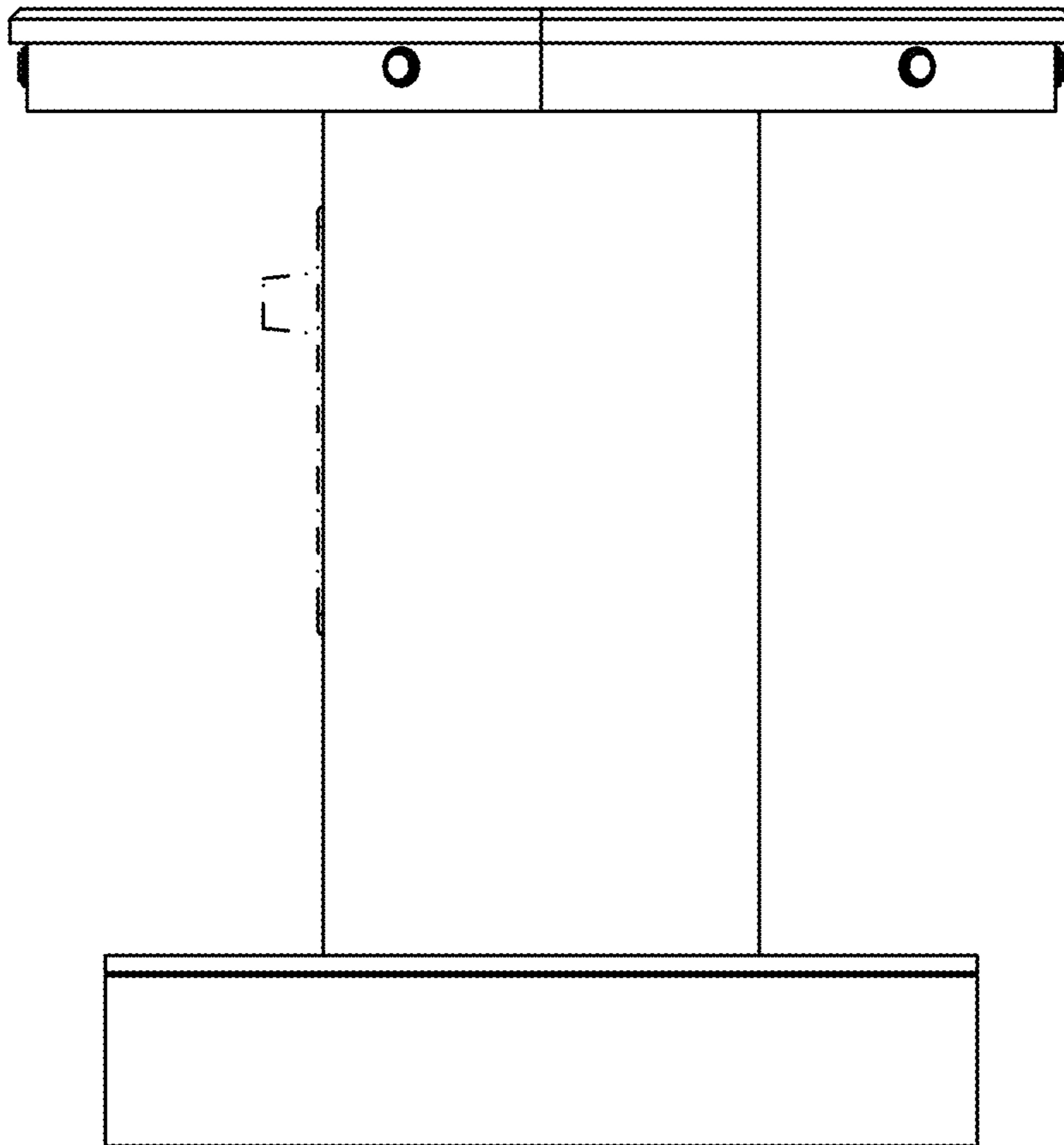


FIG. 4

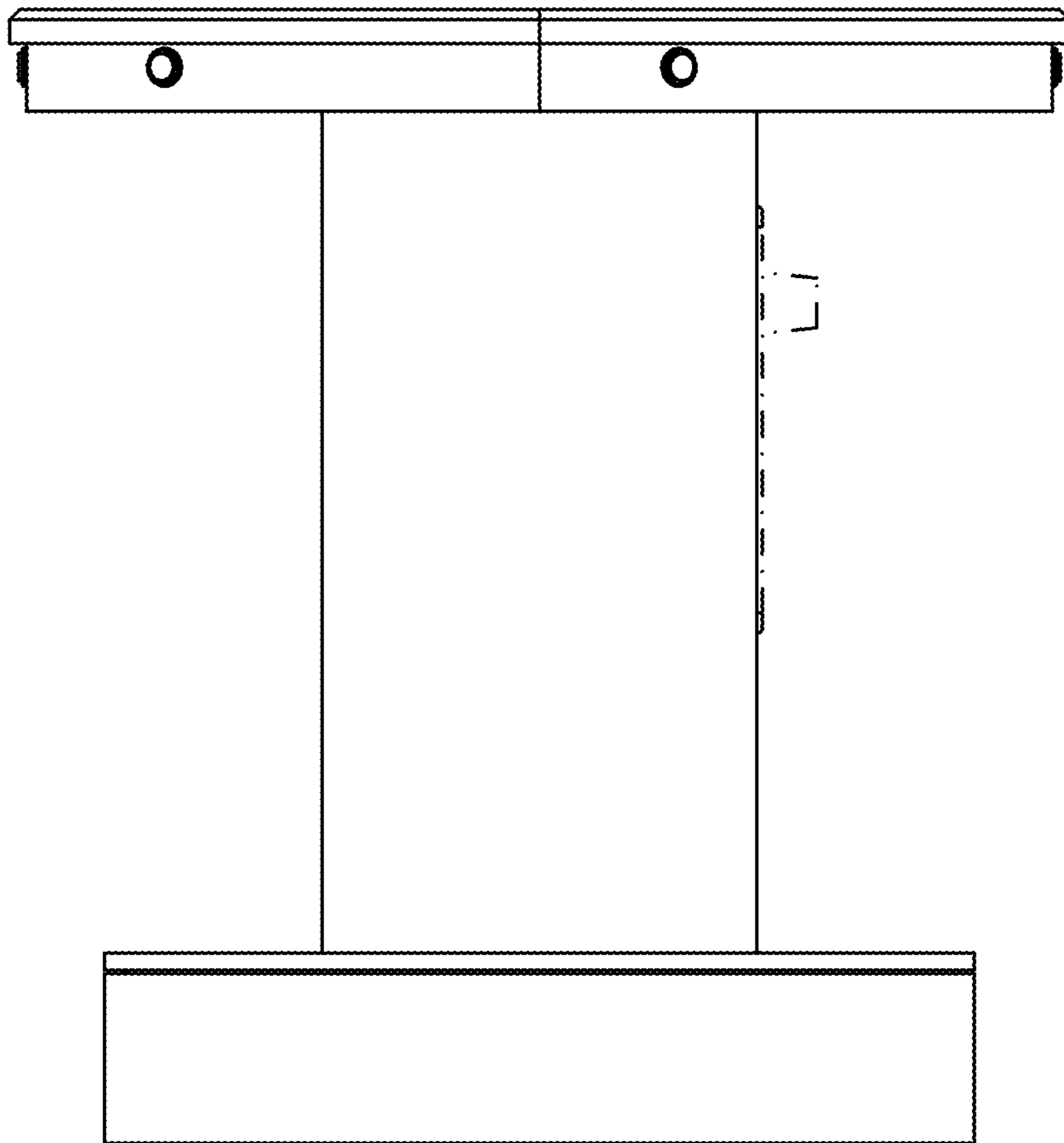


FIG. 5

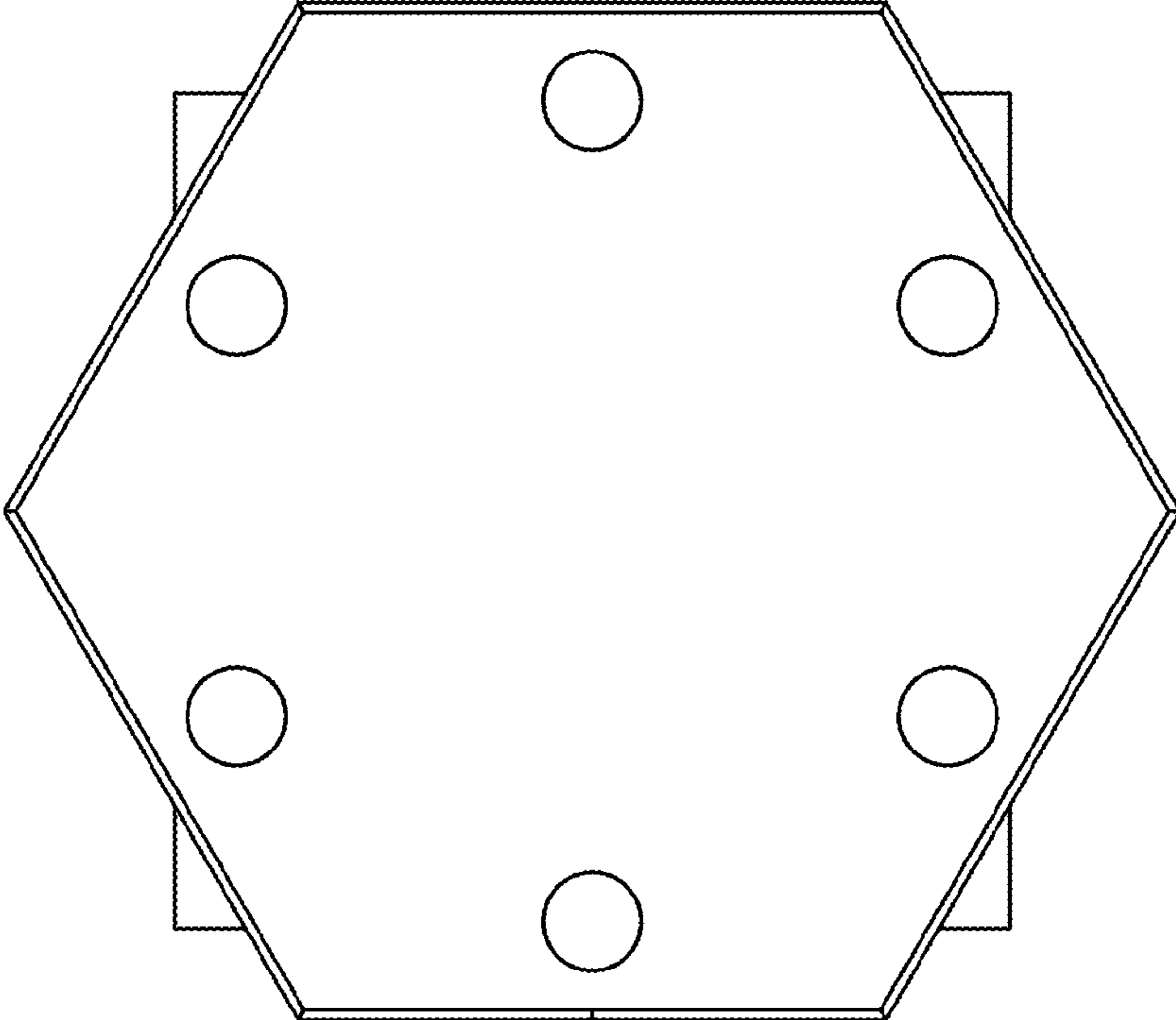


FIG. 6

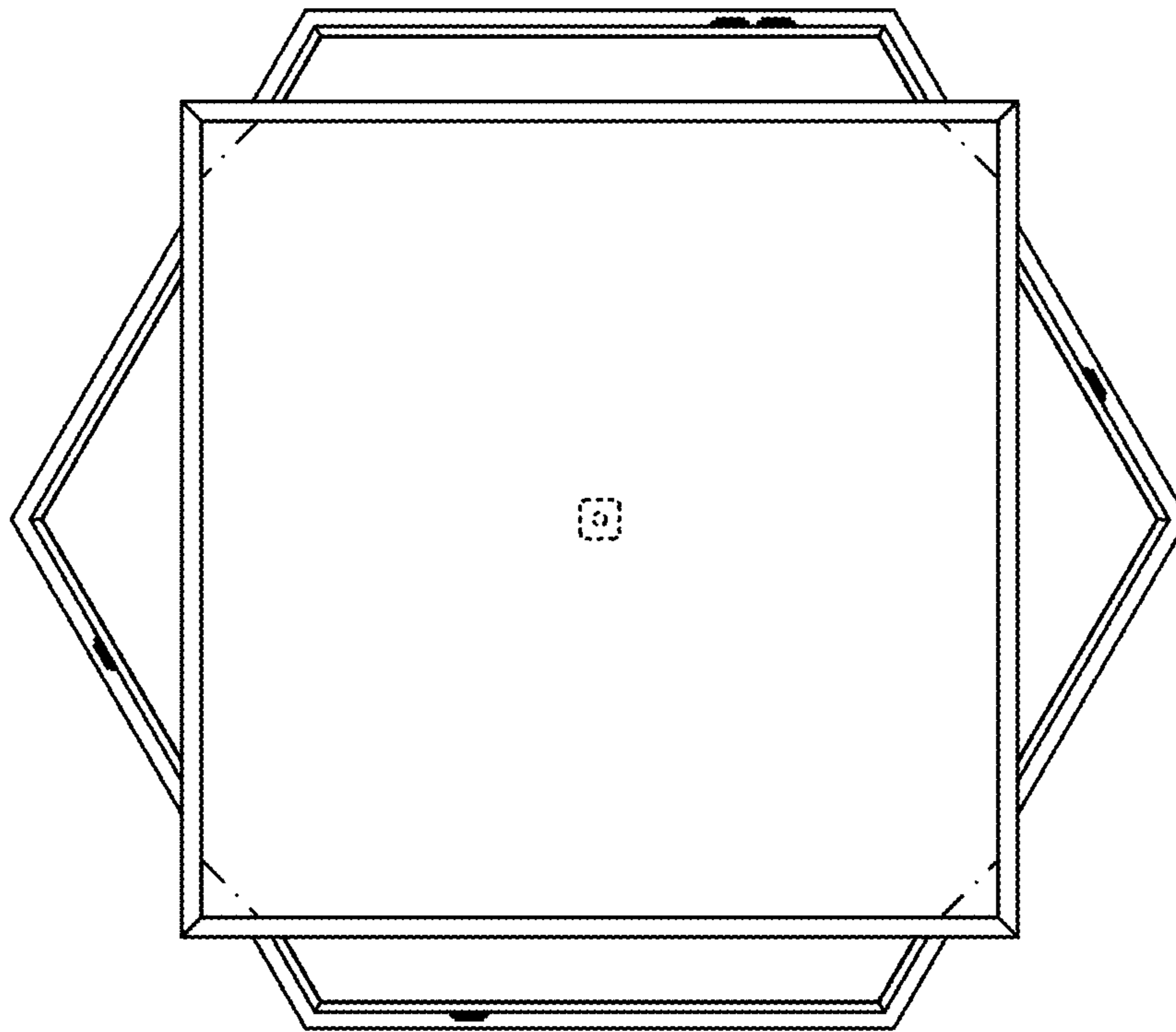


FIG. 7

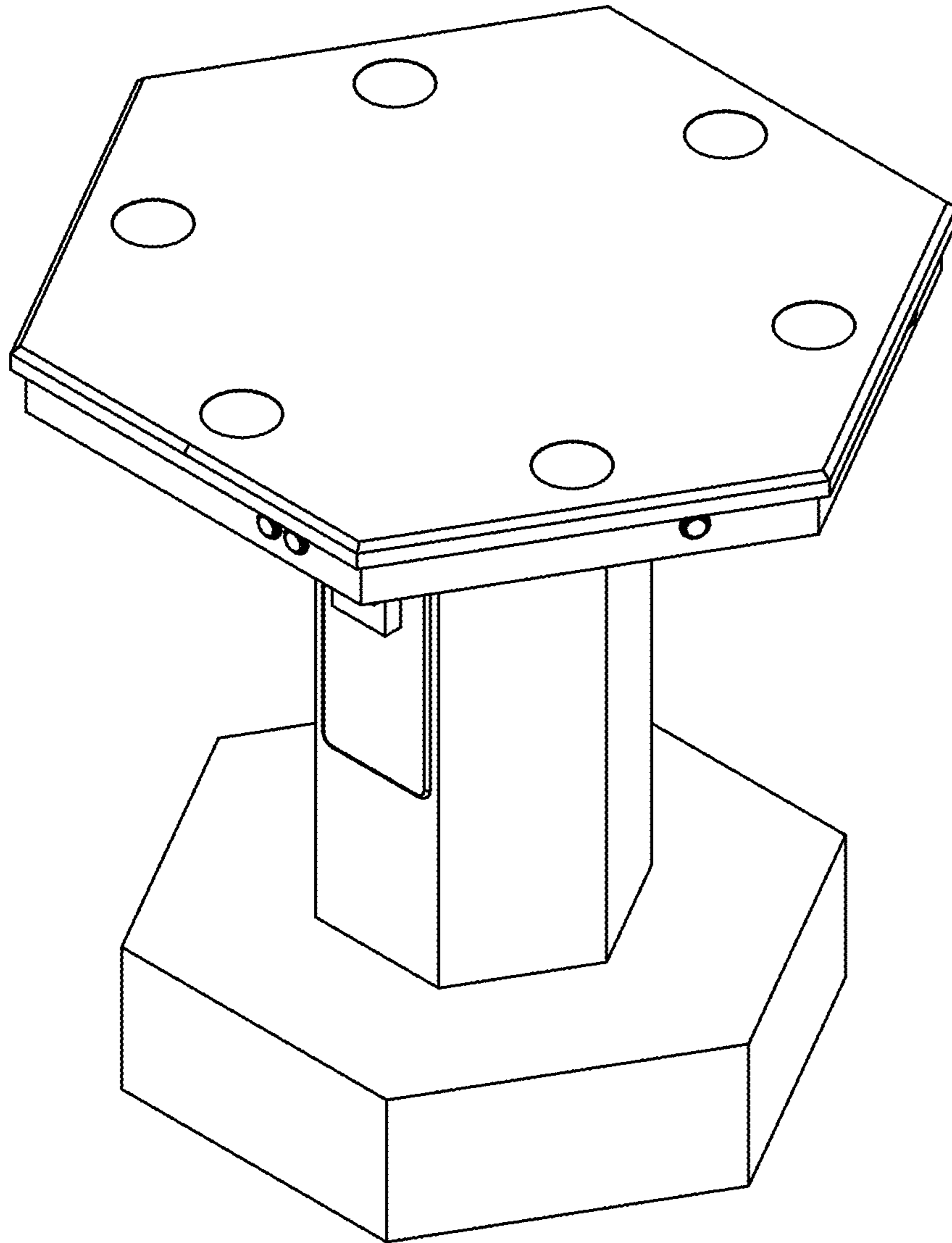


FIG. 8

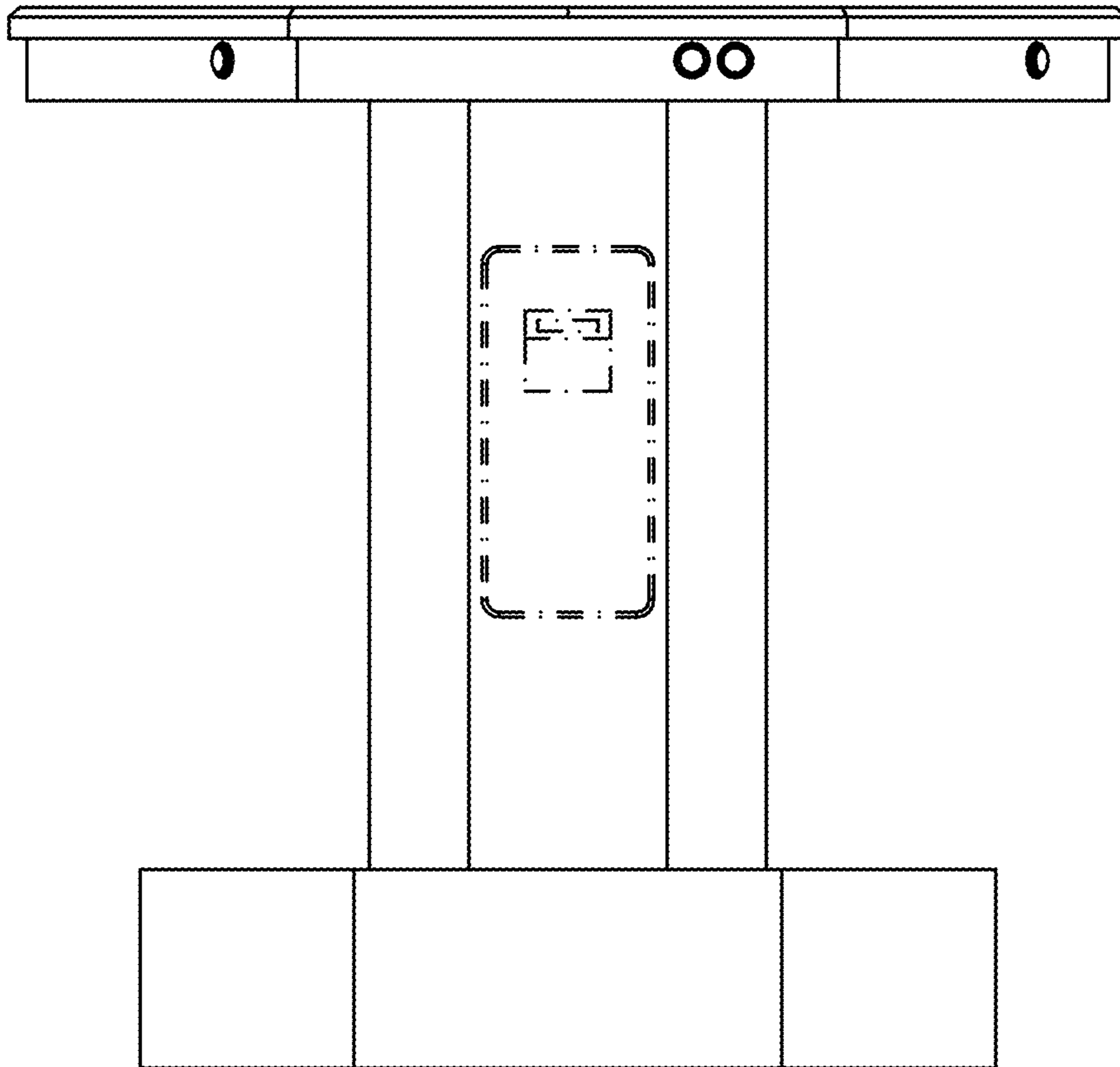


FIG. 9

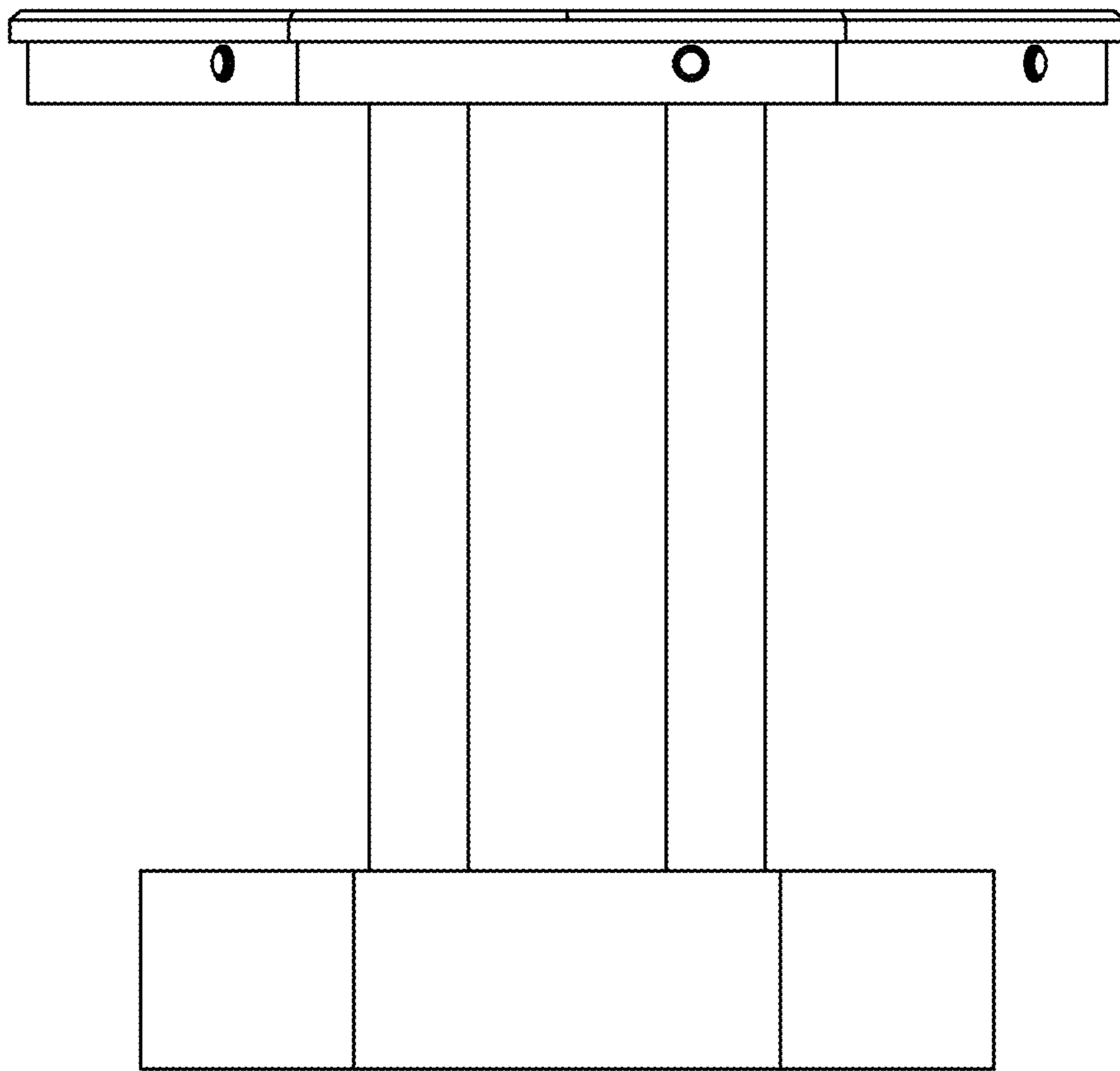


FIG. 10

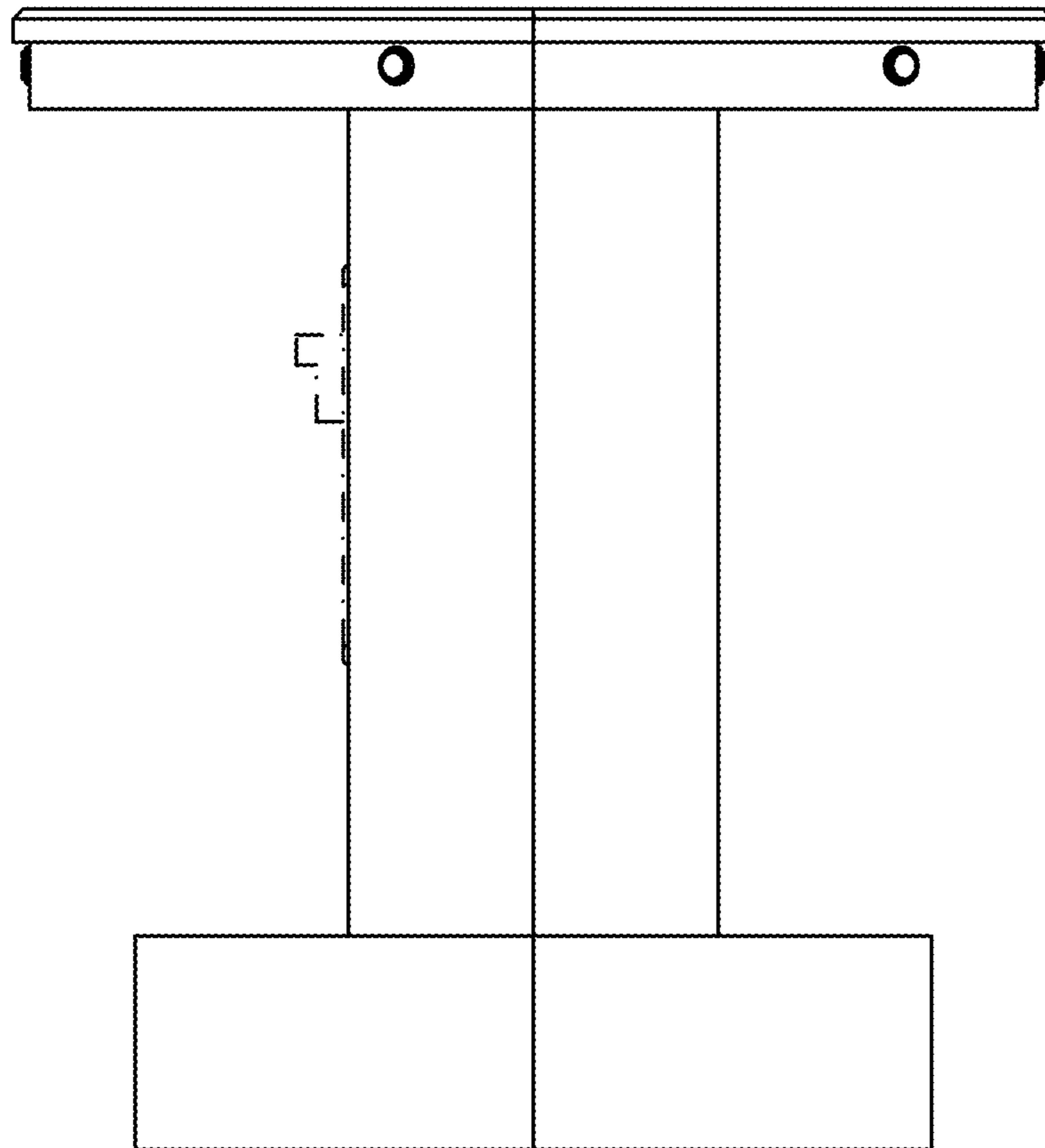


FIG. 11

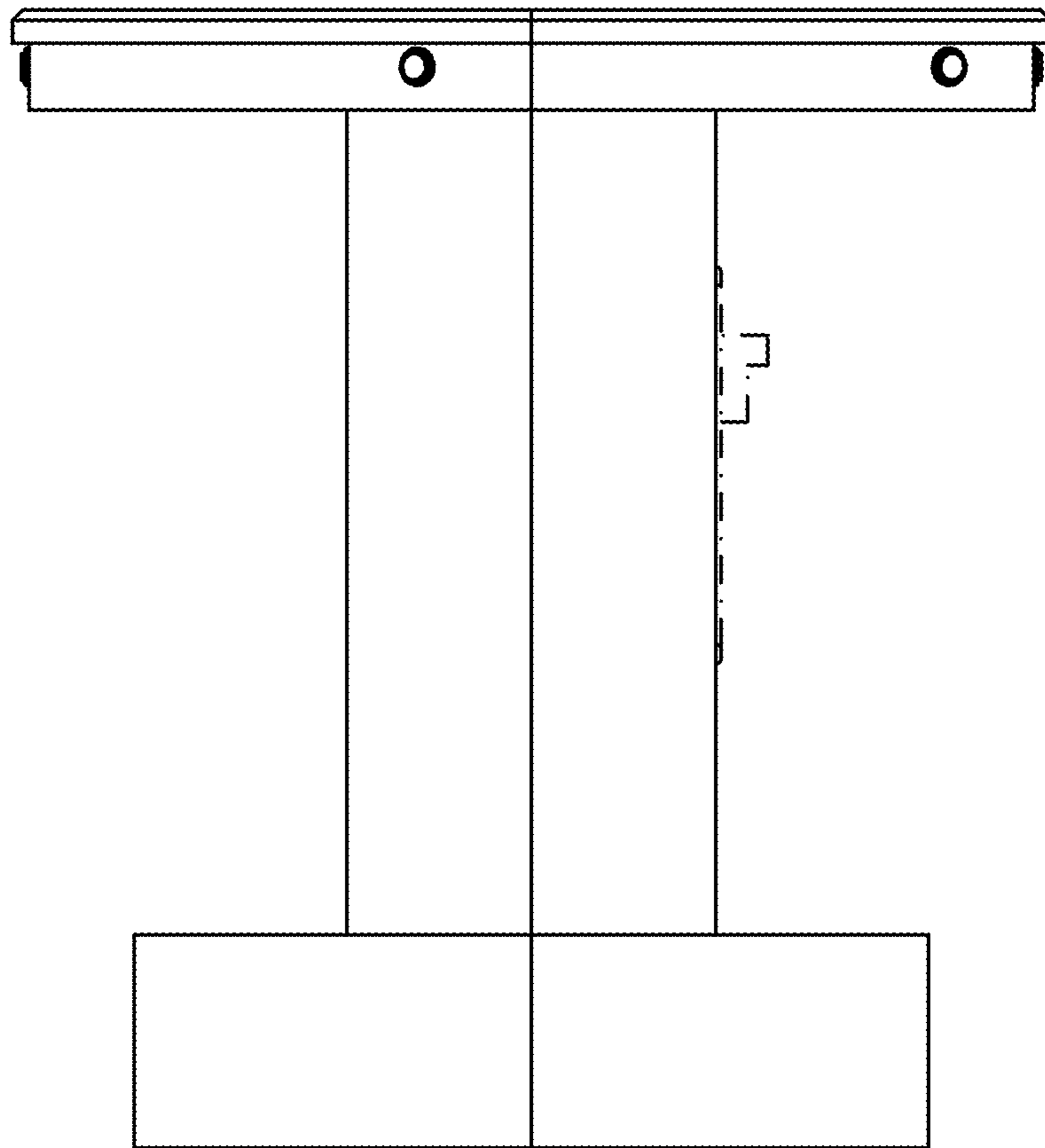


FIG. 12

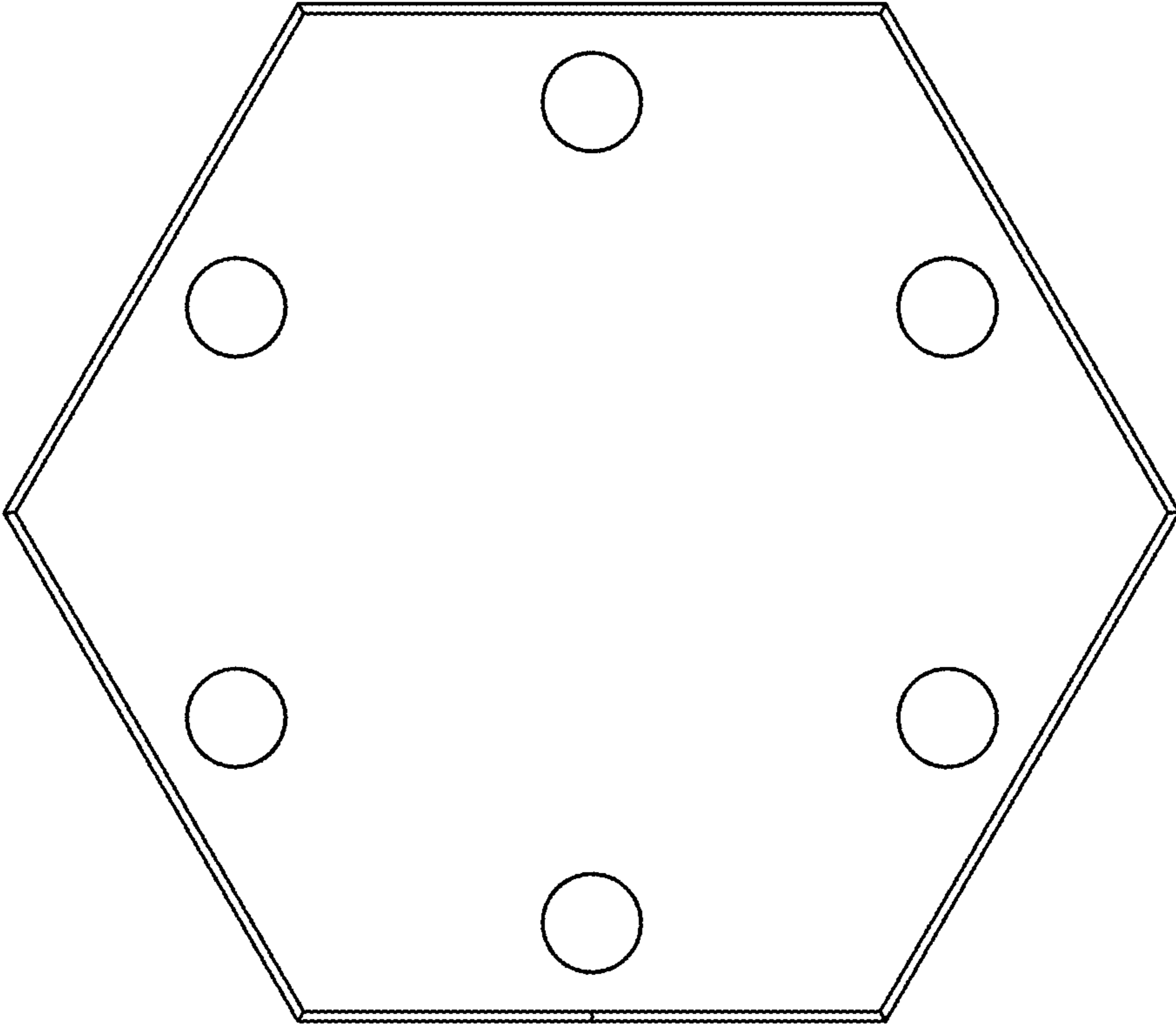


FIG. 13

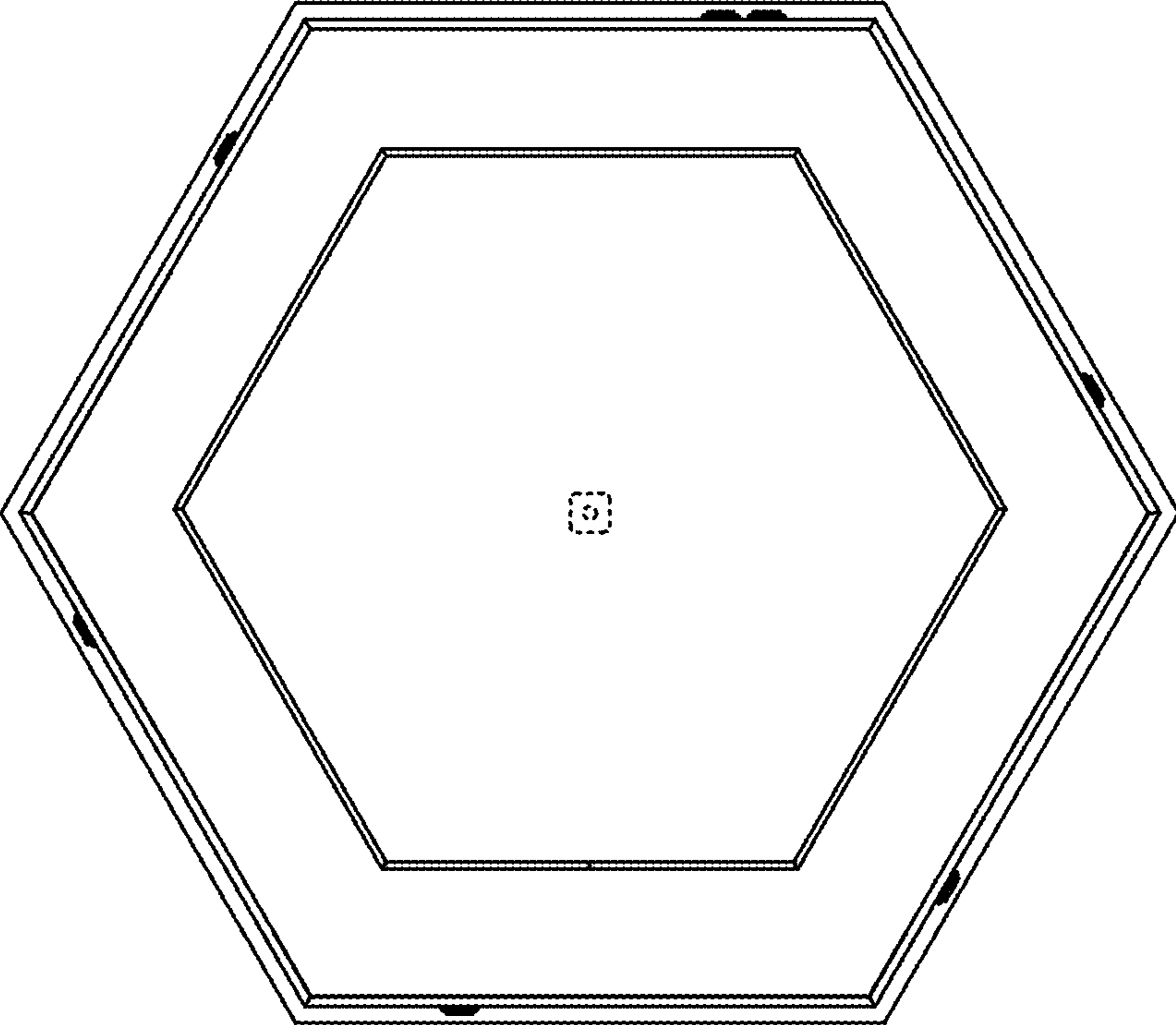


FIG. 14