

US00D763362S

(12) **United States Design Patent**
Brimlow

(10) **Patent No.:** **US D763,362 S**

(45) **Date of Patent:** **** Aug. 9, 2016**

(54) **HORSESHOE**

Primary Examiner — George D Kirschbaum

(71) Applicant: **Mark Brimlow**, Issaquah, WA (US)

(74) *Attorney, Agent, or Firm* — Seed IP Law Group PLLC

(72) Inventor: **Mark Brimlow**, Issaquah, WA (US)

(57) **CLAIM**

(**) Term: **14 Years**

What is claimed is the ornamental design for a horseshoe, as shown.

(21) Appl. No.: **29/497,070**

(22) Filed: **Jul. 21, 2014**

(51) **LOC (10) Cl.** **21-01**

(52) **U.S. Cl.**
USPC **D21/384**

(58) **Field of Classification Search**
USPC D21/387; D22/144; D30/147; D12/111
CPC A01K 83/00; A01L 1/00; A01L 3/00;
A01L 5/00

See application file for complete search history.

DESCRIPTION

FIG. 1 is a perspective view of a horseshoe showing one embodiment of my ornamental design;
FIG. 2 is a front view thereof;
FIG. 3 is a back view thereof;
FIG. 4 is a left side view thereof;
FIG. 5 is a right side view thereof;
FIG. 6 is a top view thereof;
FIG. 7 is a bottom view thereof;
FIG. 8 is a perspective view of a horseshoe showing another embodiment of my ornamental design;
FIG. 9 is a front view thereof;
FIG. 10 is a back view thereof;
FIG. 11 is a left side view thereof;
FIG. 12 is a right side view thereof;
FIG. 13 is a top view thereof; and,
FIG. 14 is a bottom view thereof.

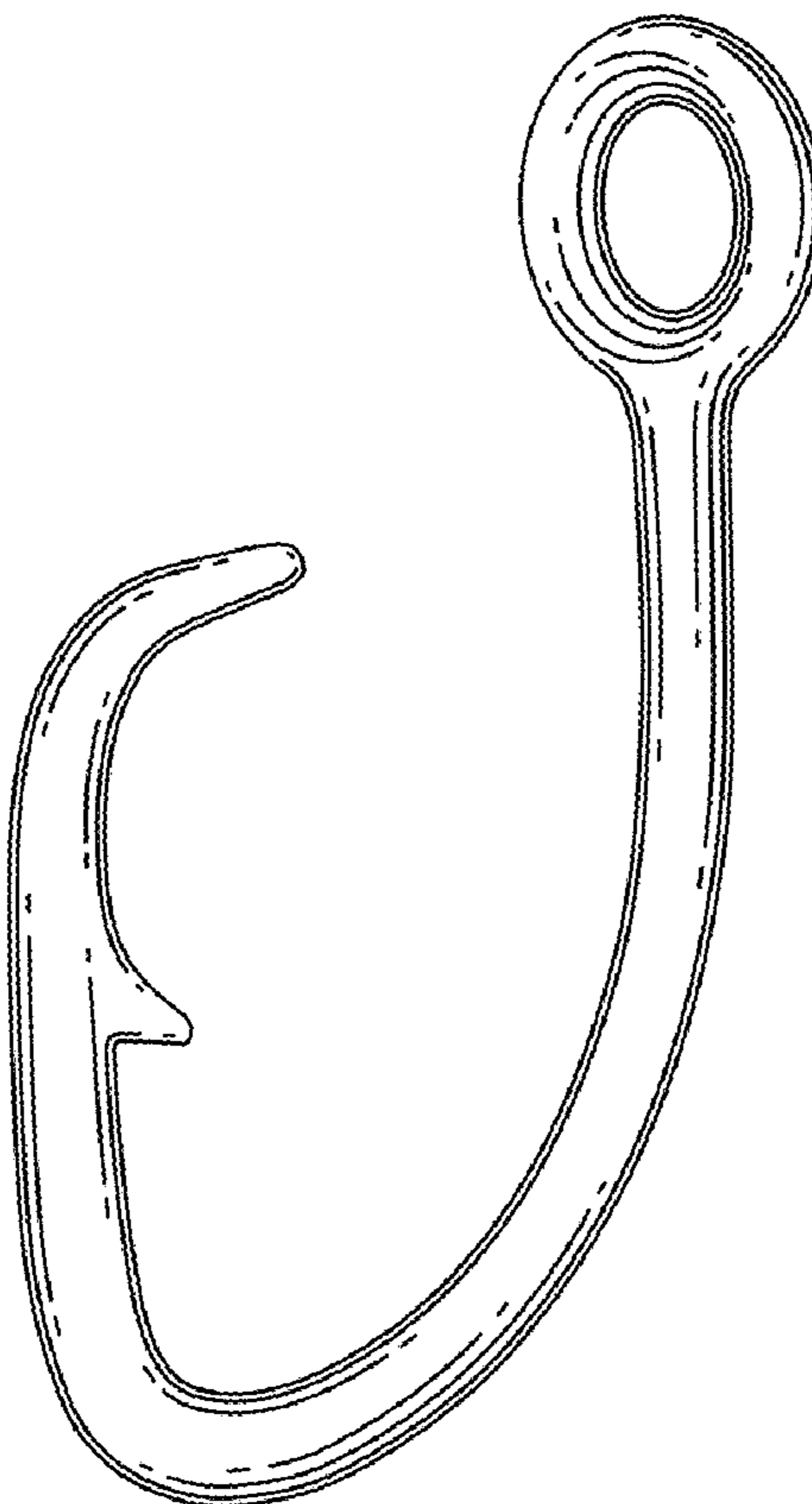
(56) **References Cited**

U.S. PATENT DOCUMENTS

D389,787 S *	1/1998	Zeigle	D12/111
D480,517 S *	10/2003	Hasegawa	D30/147
D487,913 S *	3/2004	Asada	D22/144
D553,220 S *	10/2007	Merritt	D22/144

* cited by examiner

1 Claim, 6 Drawing Sheets



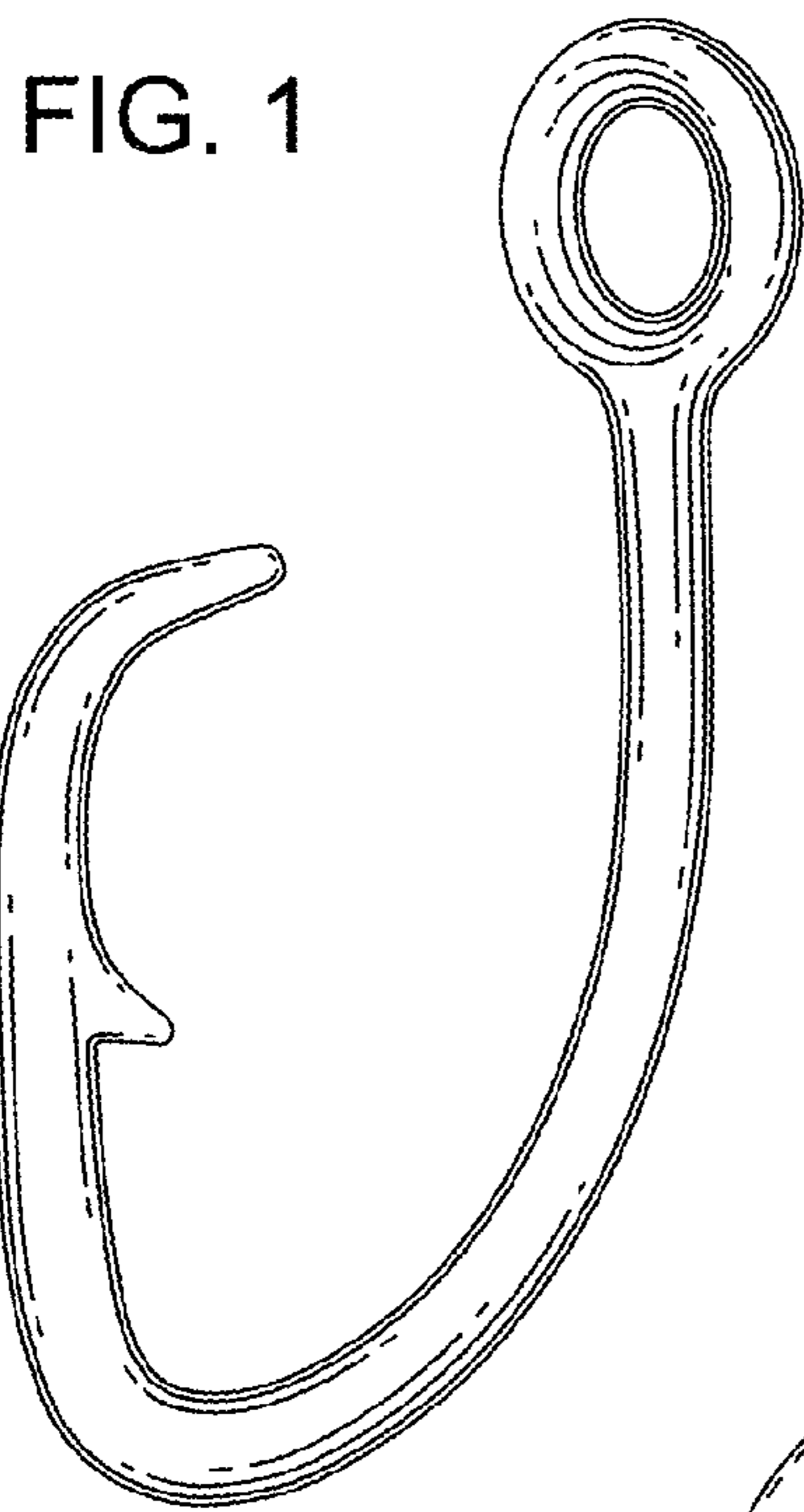


FIG. 2

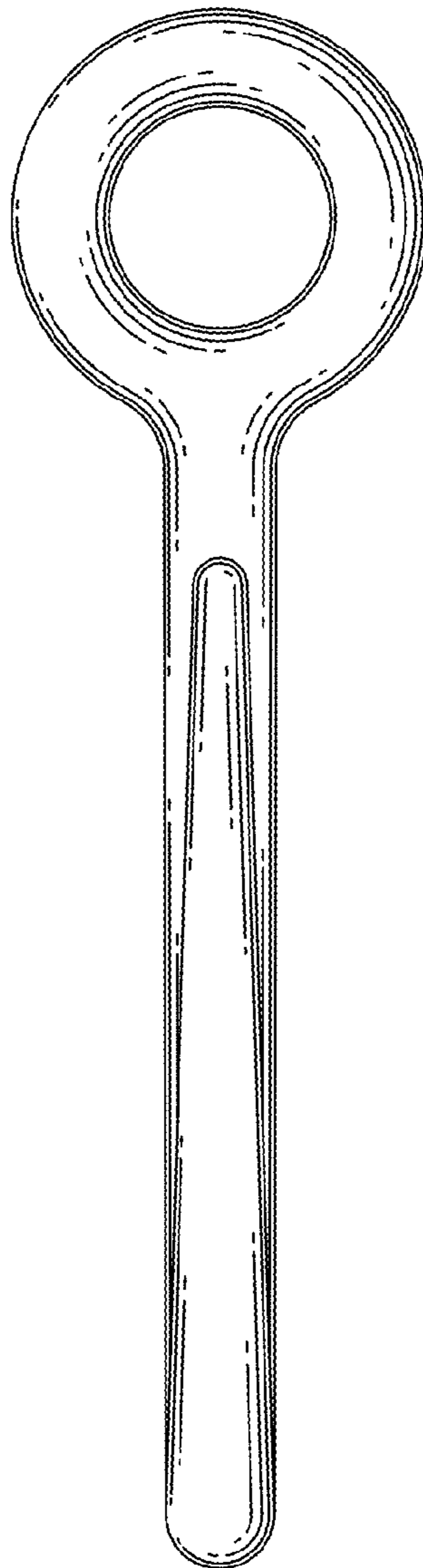
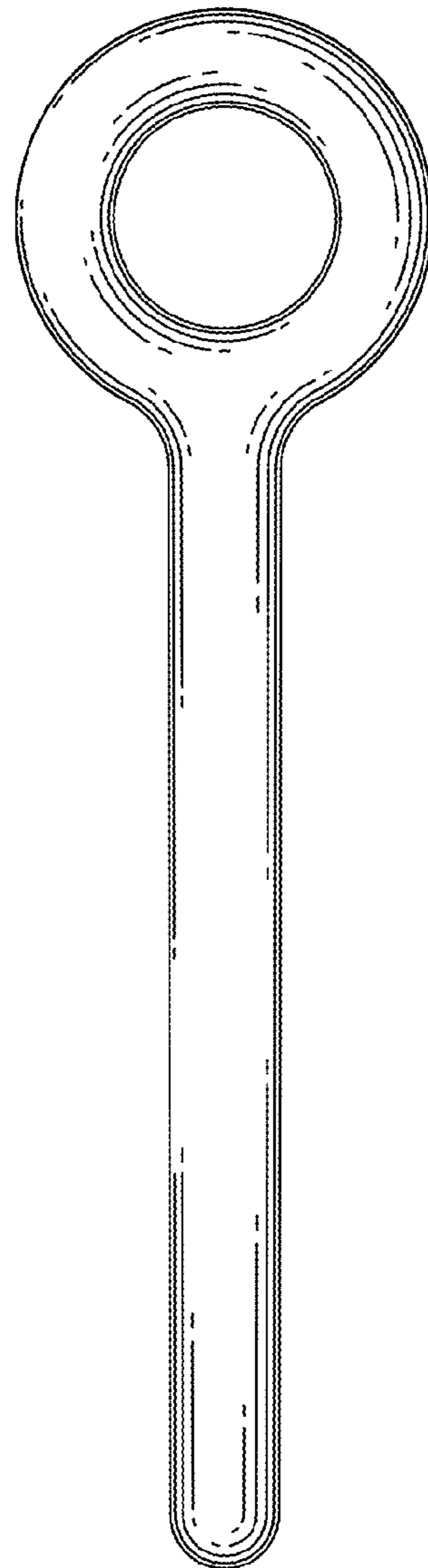


FIG. 3



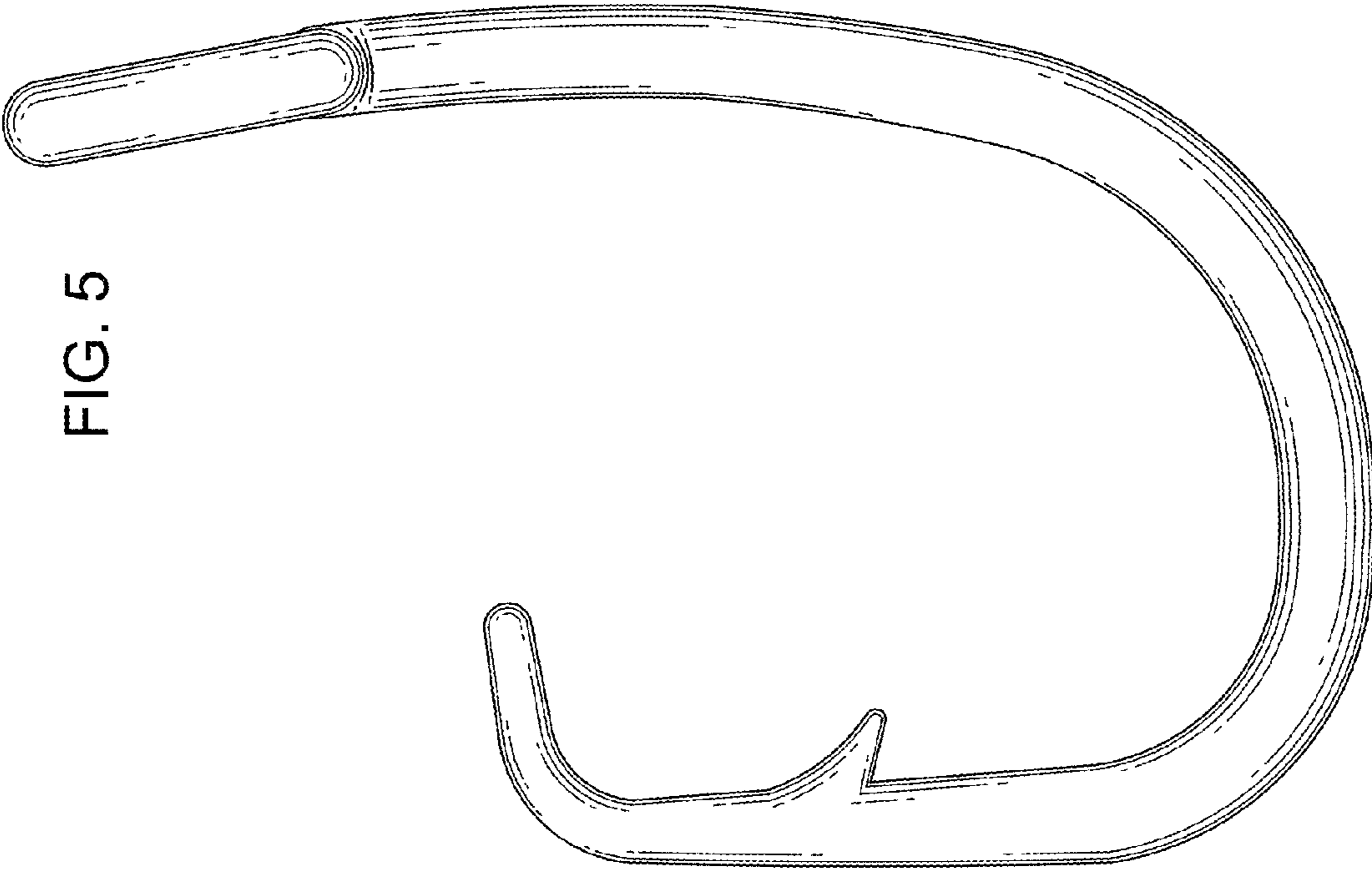


FIG. 5

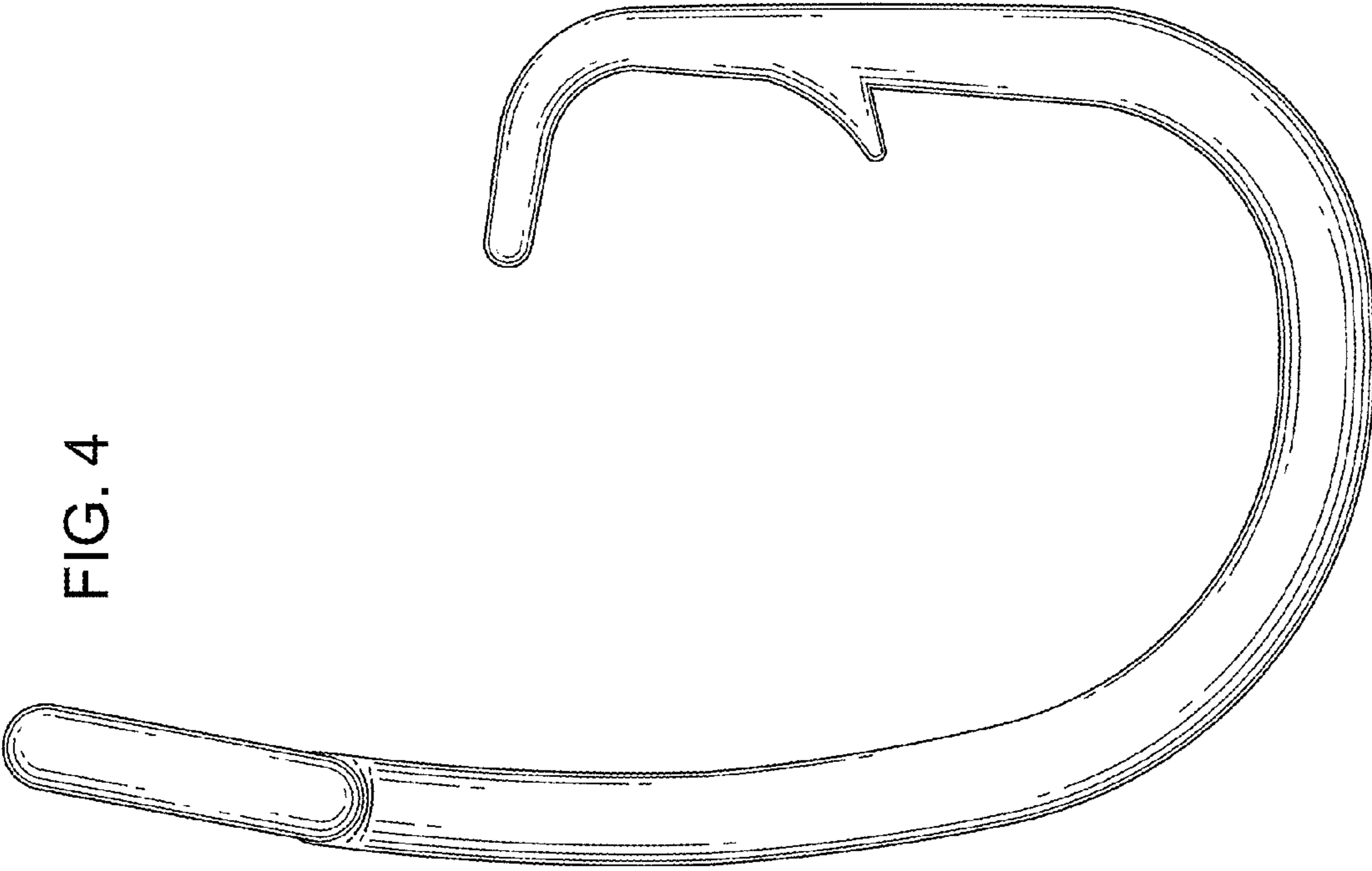


FIG. 4

FIG. 6

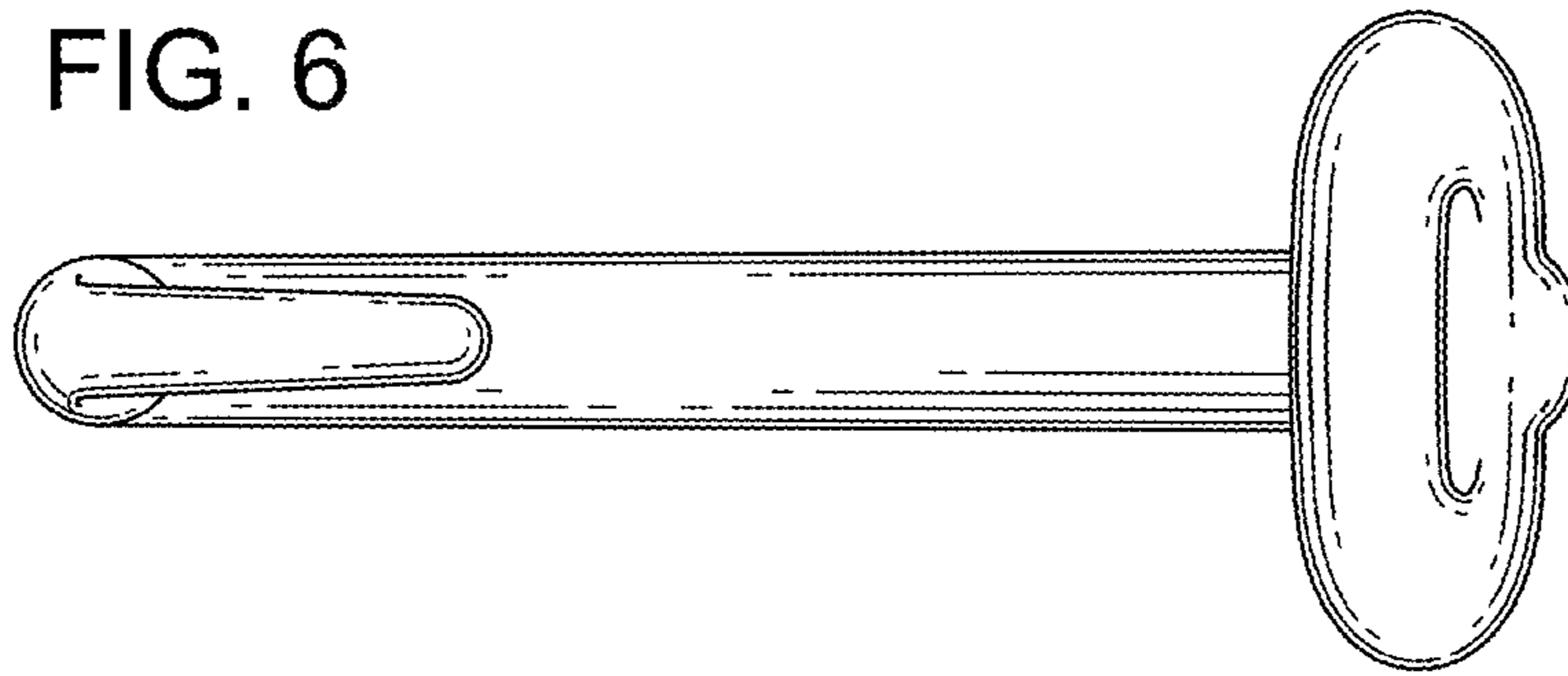


FIG. 7

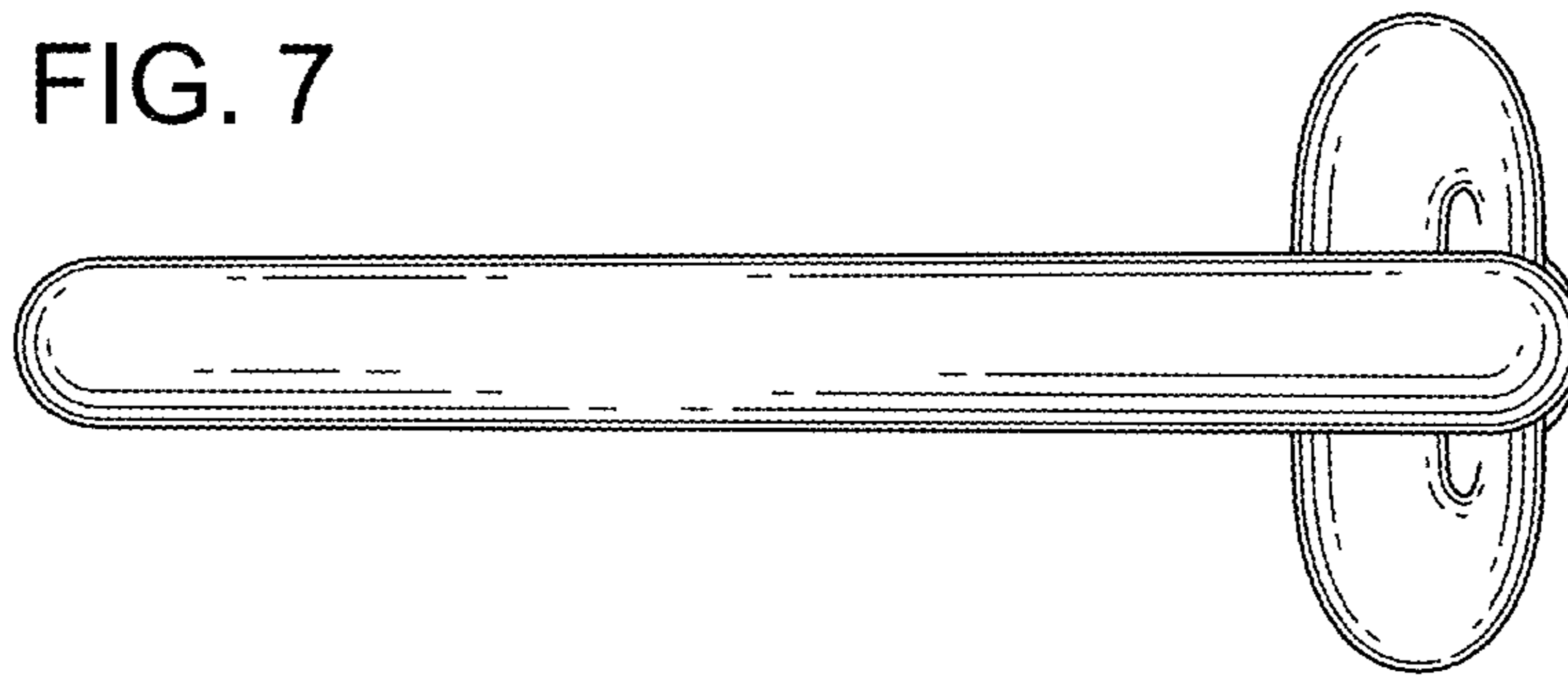


FIG. 8

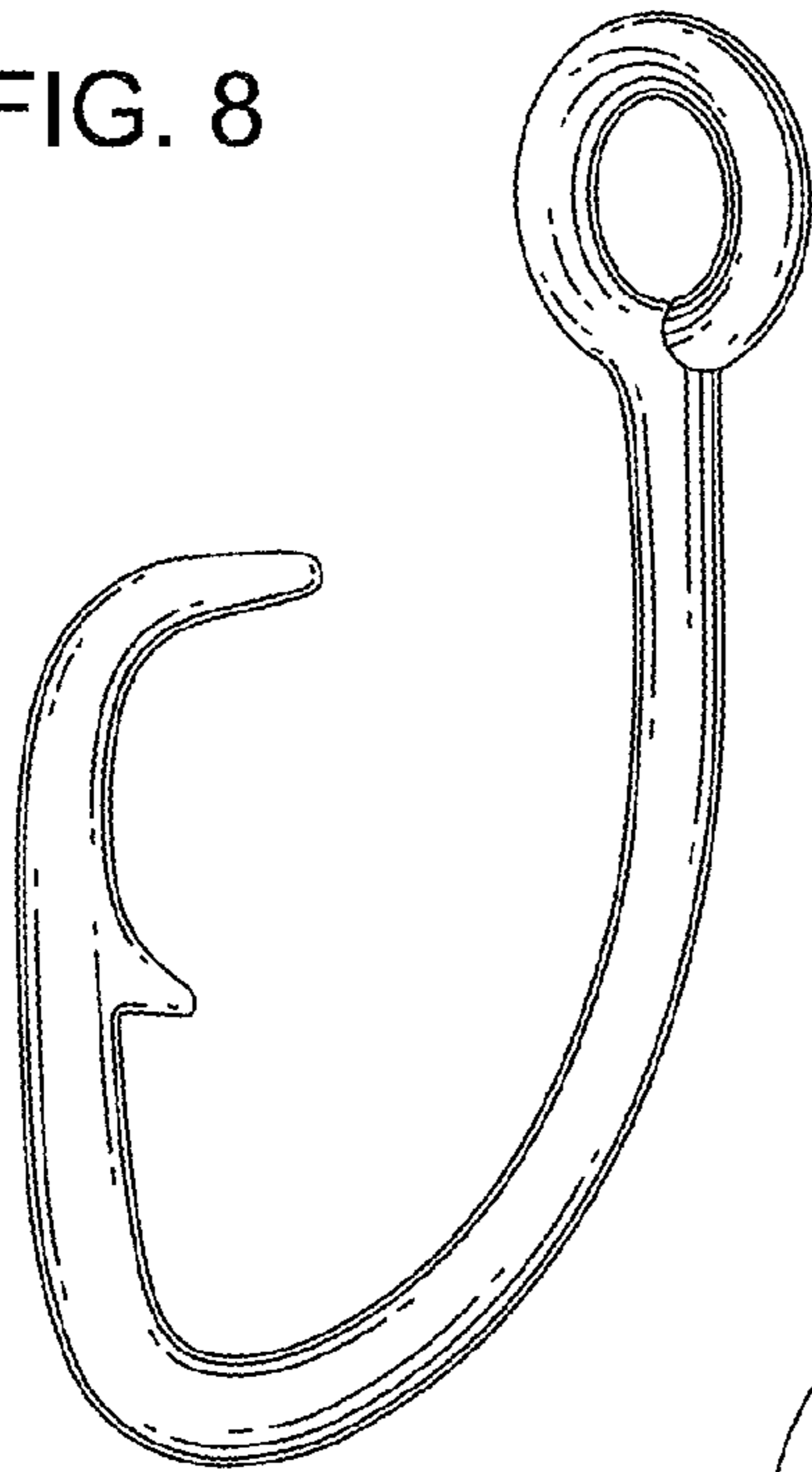


FIG. 9

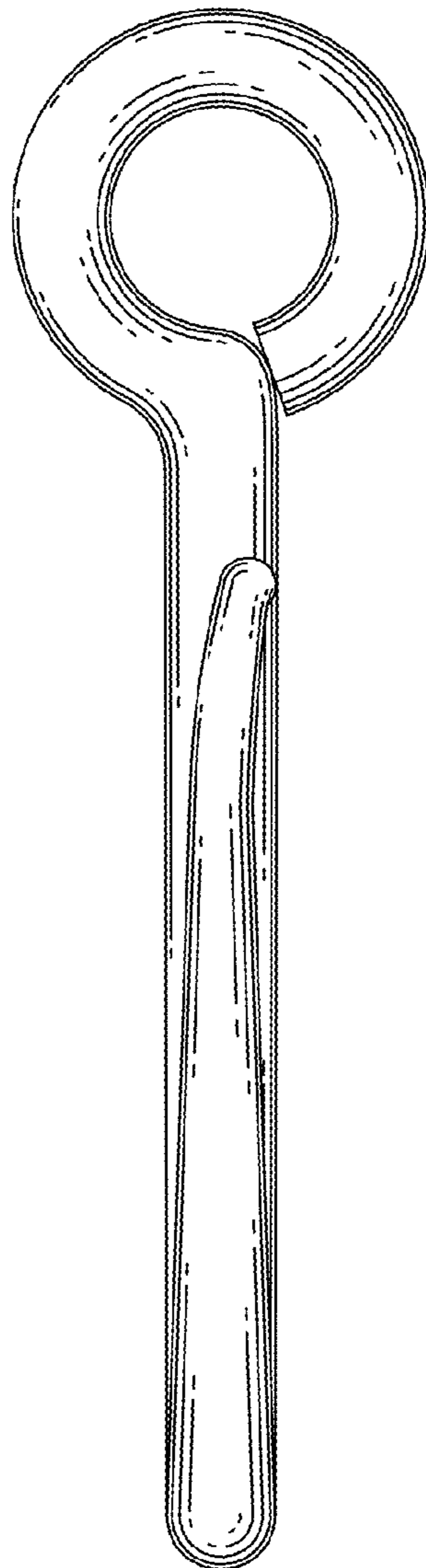
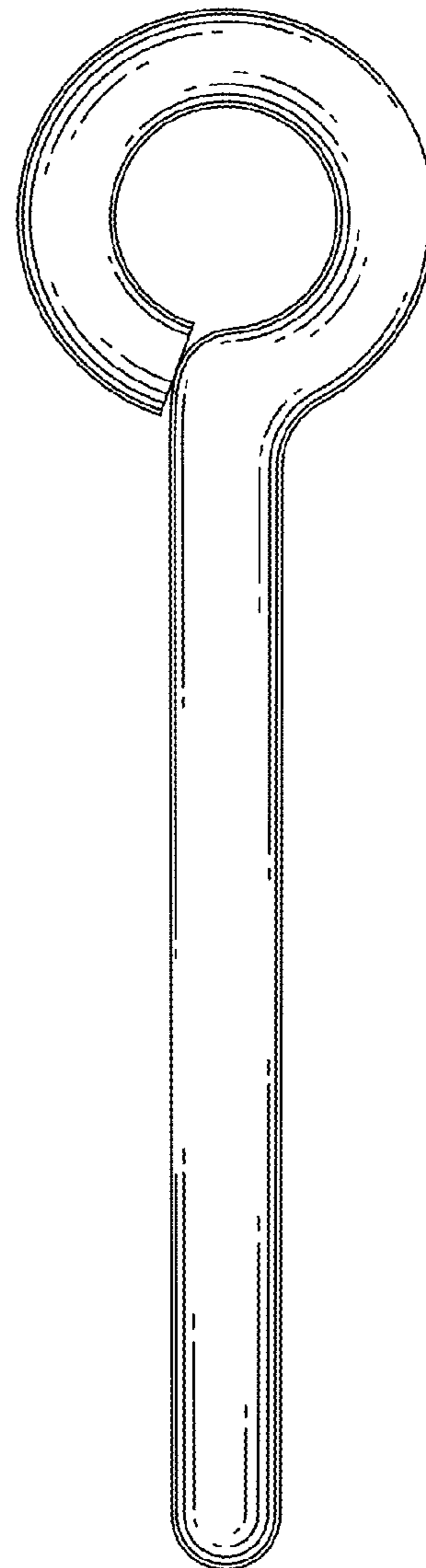


FIG. 10



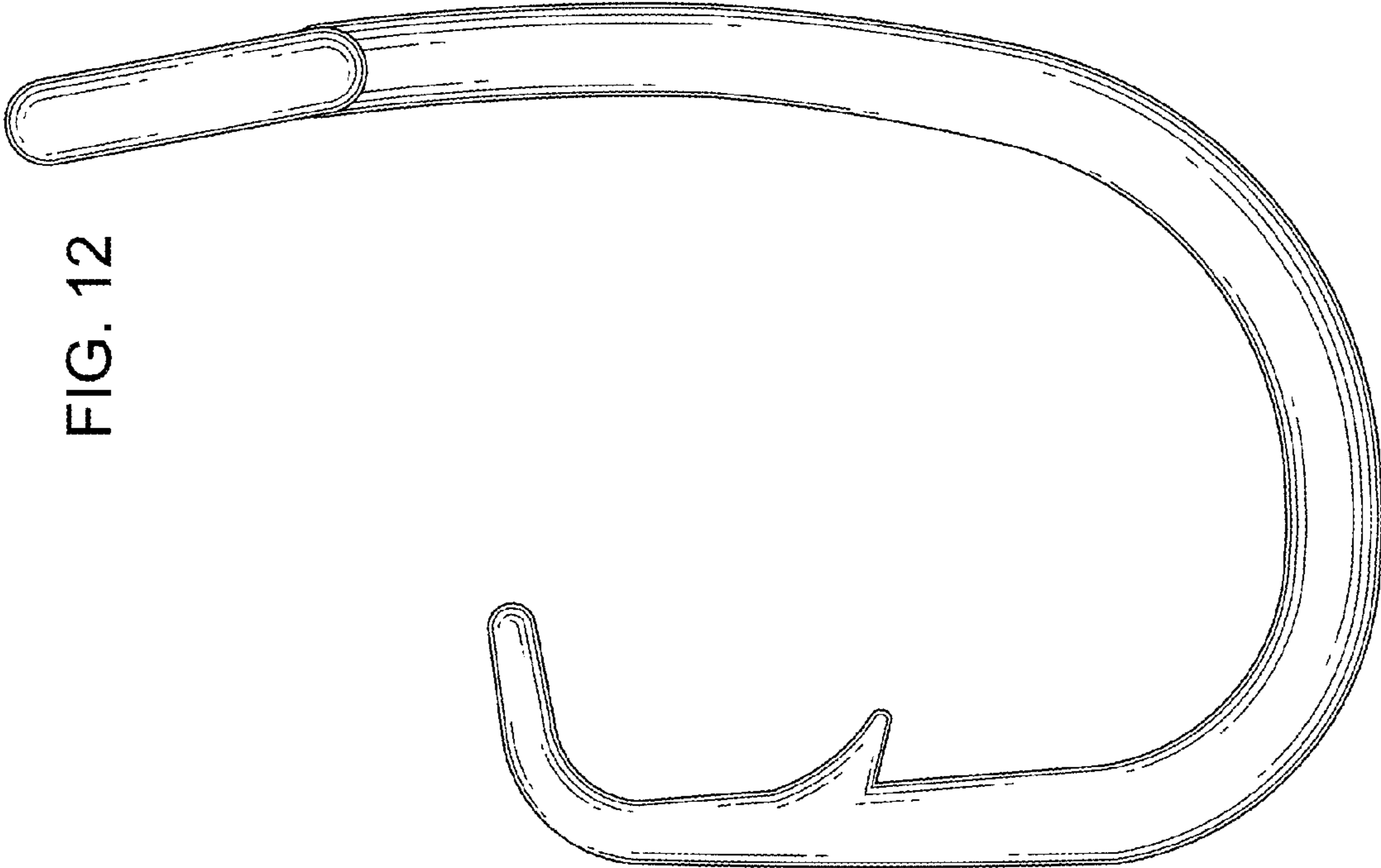


FIG. 12

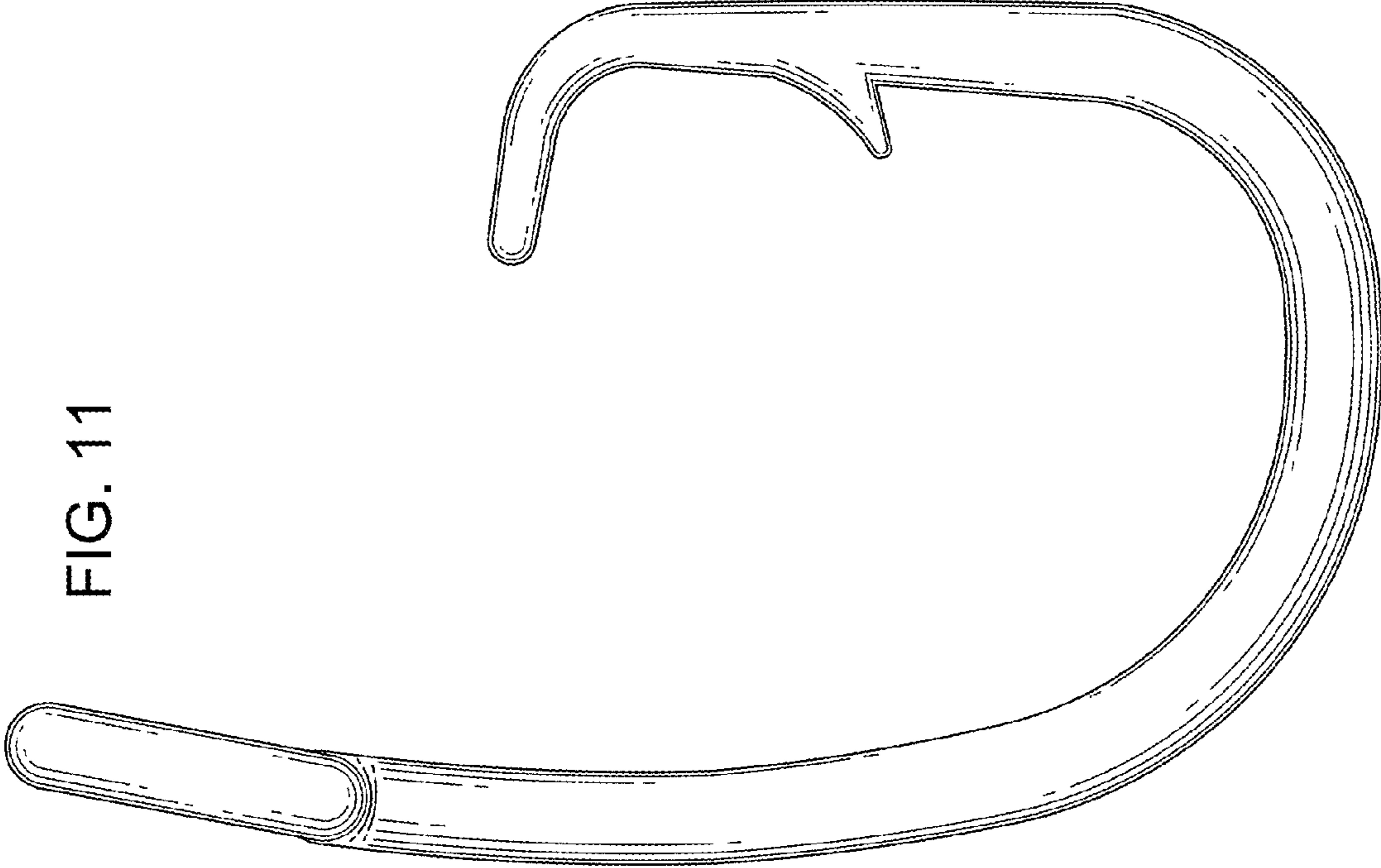


FIG. 11

FIG. 13

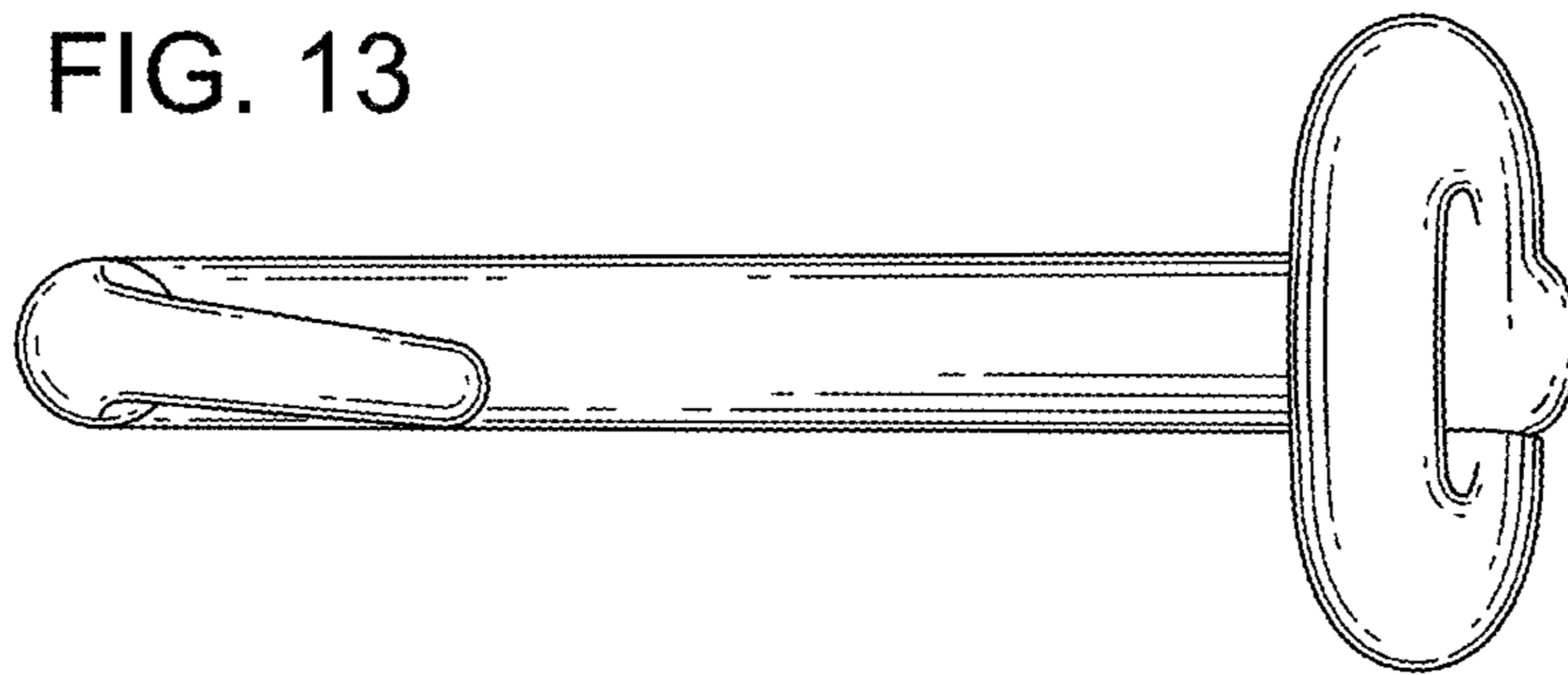


FIG. 14

