



US00D763361S

(12) **United States Design Patent**
Rosander et al.

(10) **Patent No.:** **US D763,361 S**
(45) **Date of Patent:** **** Aug. 9, 2016**

(54) **GAMING DEVICE CABINET**

(71) Applicant: **IGT, Las Vegas, NV (US)**

(72) Inventors: **Tai Rosander, Reno, NV (US);**
Matthew A. Franich, Reno, NV (US)

(73) Assignee: **IGT, Las Vegas, NV (US)**

(**) Term: **14 Years**

(21) Appl. No.: **29/513,885**

(22) Filed: **Jan. 6, 2015**

Related U.S. Application Data

(63) Continuation of application No. 29/467,535, filed on Sep. 20, 2013, now Pat. No. Des. 723,626.

(51) **LOC (10) Cl.** **21-03**

(52) **U.S. Cl.**
USPC **D21/370; D21/385**

(58) **Field of Classification Search**
USPC **D21/324-333, 369-370, 385; 273/146;**
463/17.2, 42, 46-47; D14/304-305,
D14/371

CPC **A63F 5/00; A63F 5/04**
See application file for complete search history.

(56) **References Cited**

U.S. PATENT DOCUMENTS

D450,310 S	11/2001	Hedrick et al.	
D498,267 S	11/2004	Crouch	
D525,664 S	7/2006	Cole	
D539,854 S *	4/2007	Luciano	D21/369
D564,601 S *	3/2008	Strahinic	D21/370
7,736,232 B2	6/2010	Linard et al.	
D619,660 S	7/2010	Cole et al.	
D622,781 S *	8/2010	Lesley	D21/369
D633,950 S *	3/2011	Terpstra	D21/369
D646,337 S	10/2011	Kelly et al.	

D649,605 S *	11/2011	Terpstra	D21/370
D673,621 S *	1/2013	Johnson	D21/369
8,371,930 B1	2/2013	Saunders et al.	
D685,033 S *	6/2013	Wudtke	D21/370
D685,435 S	7/2013	Hohman et al.	
D691,665 S *	10/2013	Chudek	D21/369

OTHER PUBLICATIONS

Aristocrat-US | Cabinets, available at <http://www.aristocrat-us.com/#!cabinets/cwc7>, Apr. 25, 2014 (2 pages).

Alpha 2 Pro™ Curve™, available at <http://ballytech.com/games/alpha-2-pro-curve>, Apr. 25, 2014 (1 page).

Alpha 2 Pro™ Curve with Rotating Pointer, available at <http://ballytech.com/games/alpha-2-pro-curve-with-Rotating-Pointer>, Apr. 25, 2014 (1 page).

(Continued)

Primary Examiner — Sandra Morris

(74) *Attorney, Agent, or Firm* — Neal, Gerber & Eisenberg LLP

(57) **CLAIM**

The ornamental design for a gaming device cabinet, as shown and described herein.

DESCRIPTION

FIG. 1 is a front view of the gaming device cabinet of our new design.

FIG. 2 is a back view of the gaming device cabinet of our new design.

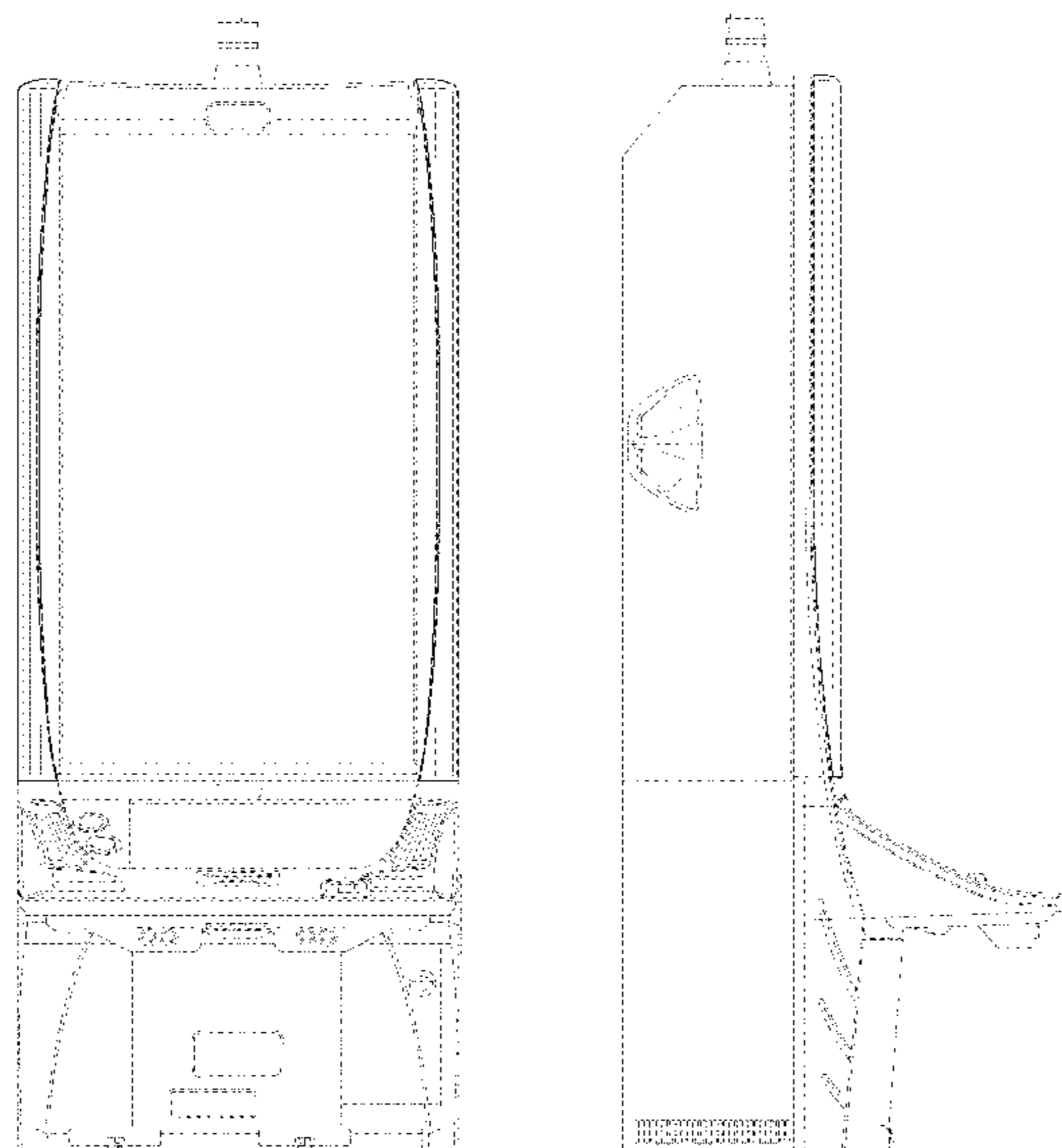
FIG. 3 is a left side view of the gaming device cabinet of our design illustrated in FIG. 1.

FIG. 4 is a right side view of the gaming device cabinet of our new design illustrated in FIG. 1; and,

FIG. 5 is a top view of the gaming device cabinet of our new design illustrated in FIG. 1.

Those portions shown in phantom are for environmental purposes only.

1 Claim, 5 Drawing Sheets



(56)

References Cited

OTHER PUBLICATIONS

Alpha 2 Pro™ Stepper, available at <http://ballytech.com/games/alpha-2-pro-stepper>, Apr. 25, 2014 (1 page).
Alpha 2 Pro™ V22/22, available at <http://ballytech.com/Games/alpha-2-pro-v22~22>, Apr. 25, 2014 (1 page).
Alpha 2 Pro™ V32, available at <http://ballytech.com/games/alpha-2-pro-v32>, Apr. 25, 2014 (1 page).
Alpha 2 Pro™ Wave™, available at <http://ballytech.com/games/alpha-2-pro-wave>, Apr. 25, 2014 (1 page).
Blade Brochure, copyright WMS Gaming Inc. 2012 (10 pages).
Bluebird® 2e Mechanical Advertisement, copyright WMS Gaming Inc. 2012 (2 pages).
Bluebird® 2e Video Advertisement, copyright WMS Gaming Inc. 2012 (2 pages).
E20 Upright Advertisement, copyright IGT 2012 (1 page).
Equinox™, available at <http://ballytech.com/games/Equinox>, Apr. 25, 2014 (1 page).

G20 Bar Top Advertisement, copyright IGT 2011 (1 page).
G20 Version 2 Advertisement, copyright IGT 2011 (1 page).
G23V2 Premium Widescreen Machine, copyright IGT 2012 (1 page).
Introducing Gamefield xD™, available at <https://web.archive.org/web/20130904165828/http://now.wms.com/gamefieldxd>, Apr. 25, 2014 (5 pages).
Introduction to Slots and Video Gaming, copyright IGT 2005, pp. 1, 3, 7, 14, 25, 28, 29, 30, 34, 73, 74, 75 and 78 (13 pages).
iView Small Display-Big Impact, available at <http://ballytech.com/Systems/Marketing/iVIEW>, Apr. 25, 2014 (1 page).
Premium Games, available at <http://ballytech.com/games/premium-games/>, Apr. 25, 2014 (1 page).
S AVP Machine Advertisement, copyright IGT 2012 (1 page).
S MLD Advertisement, copyright IGT 2011 (1 page).
Universal Slant 32 Advertisement, copyright IGT 2012 (1 page).
Universal Slant Machine Advertisement, copyright IGT 2012 (1 page).
XD Brochure, copyright WMS Gaming Inc. 2010 (11 pages).

* cited by examiner

FIG. 1

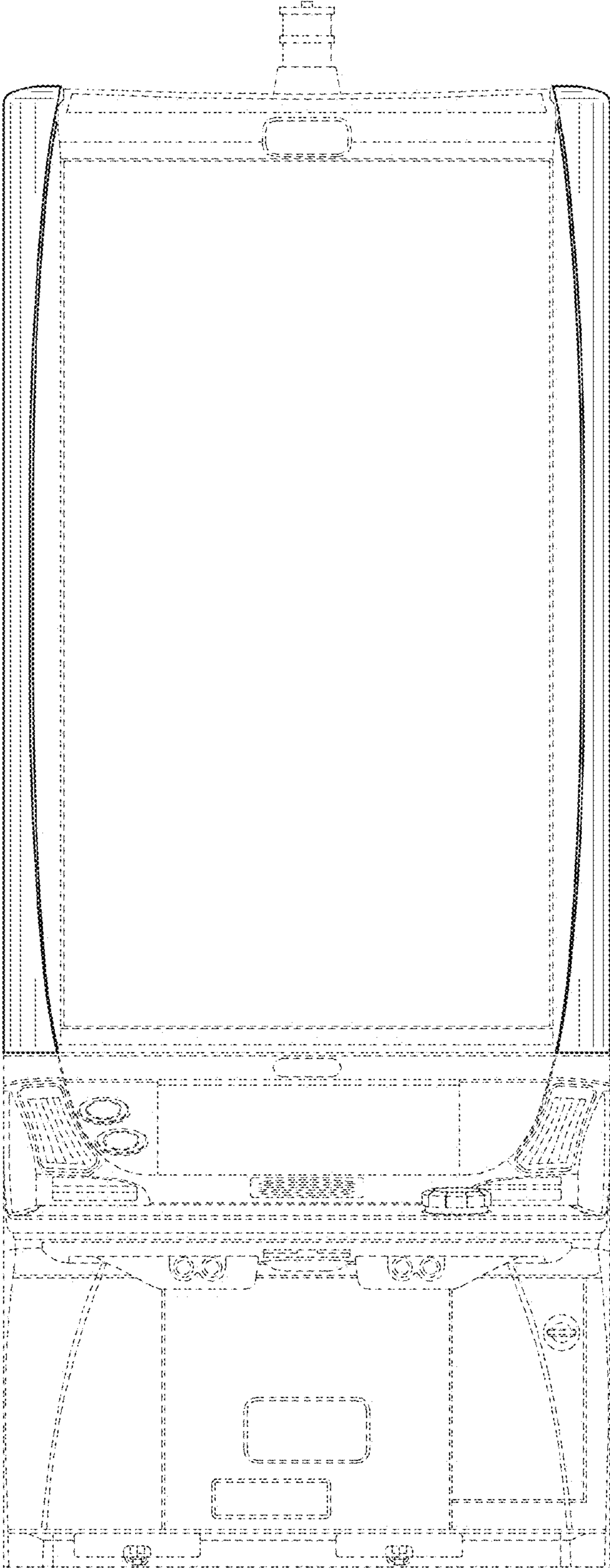


FIG. 2

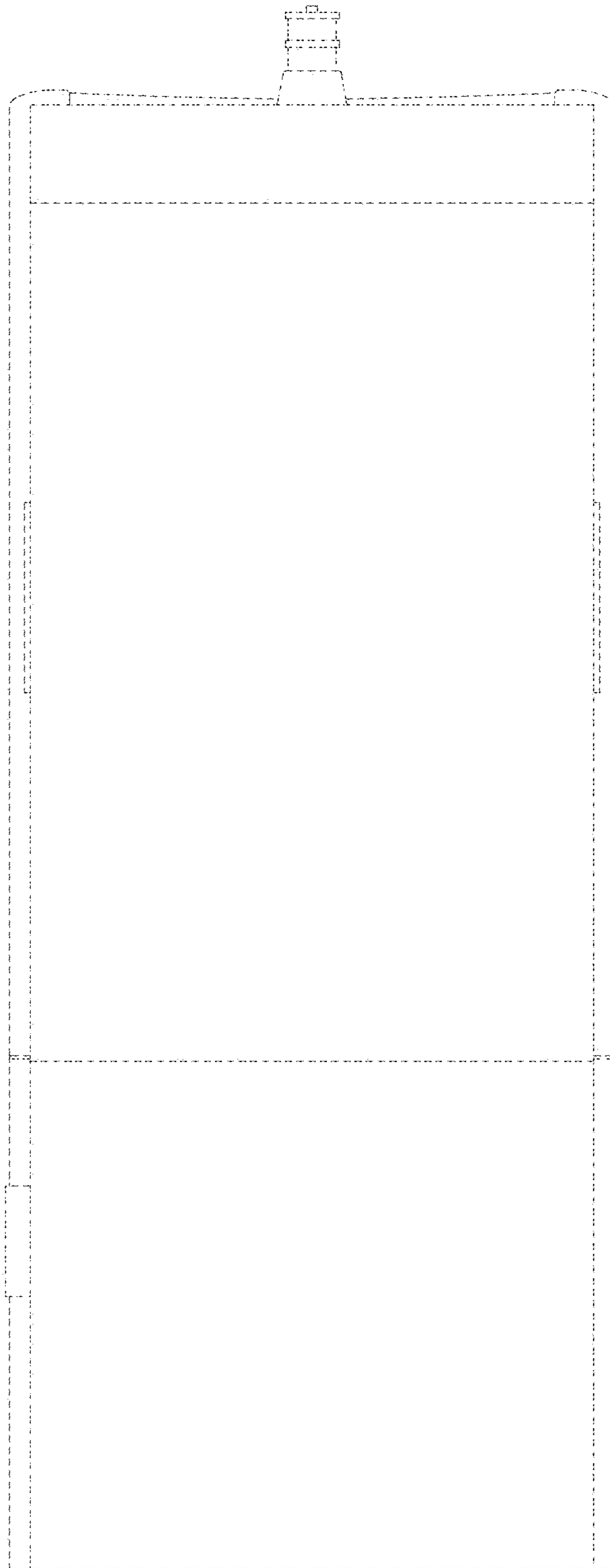


FIG. 3

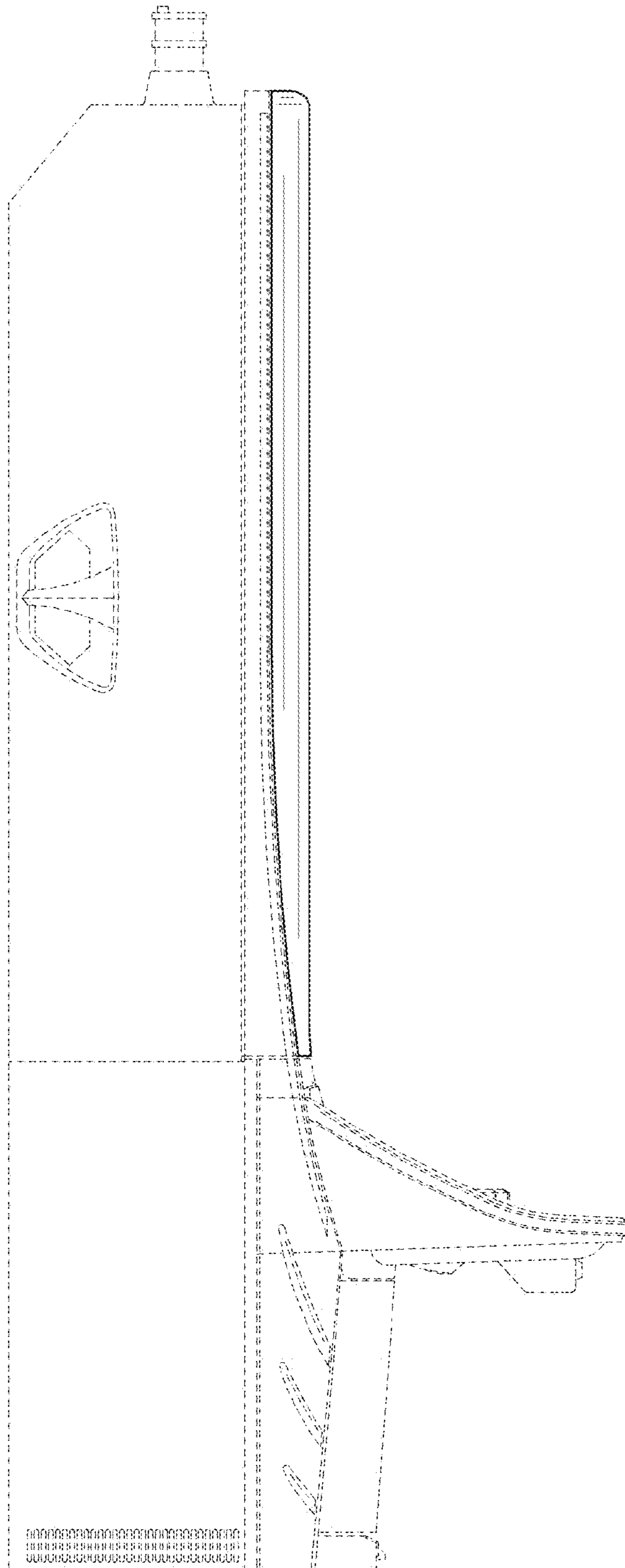


FIG. 4

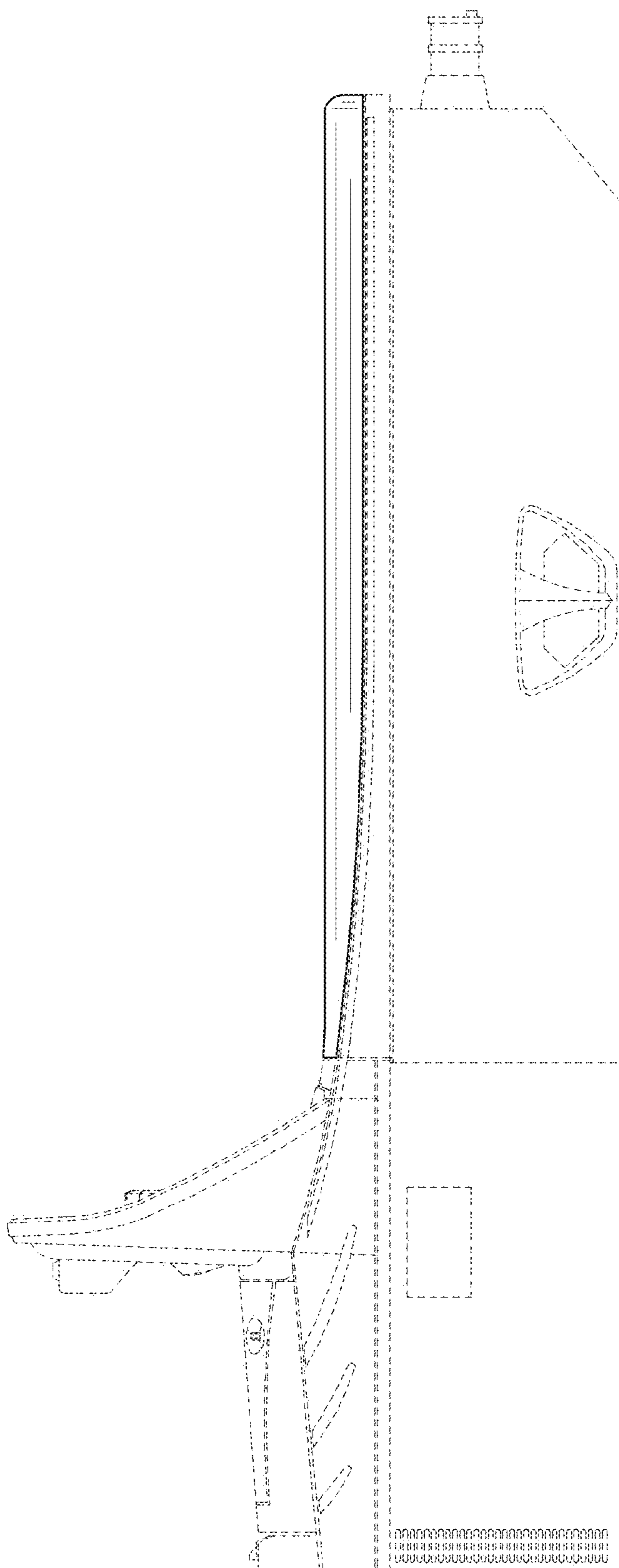


FIG. 5

