



US00D763360S

(12) **United States Design Patent**
Rouse, Jr.

(10) **Patent No.:** **US D763,360 S**

(45) **Date of Patent:** **** Aug. 9, 2016**

(54) **GAME BOARD**

(71) Applicant: **Raymond Earl Rouse, Jr.**, Laurel, MD (US)

(72) Inventor: **Raymond Earl Rouse, Jr.**, Laurel, MD (US)

(**) Term: **15 Years**

(21) Appl. No.: **29/534,854**

(22) Filed: **Jul. 31, 2015**

(51) **LOC (10) Cl.** **21-01**

(52) **U.S. Cl.**
USPC **D21/338**; D21/349

(58) **Field of Classification Search**

USPC D21/348, 362–371, 307, 302, 308–309, D21/306, 334, 335–341, 345–347, 349, D21/374–377, 300, 390, 397, 455, 458, 459, D21/478, 480, 519, 522, 811, 812, 350; 273/260, 261, 236–244, 348, 394, 258, 273/259, 274–277, 268–271, 280–287, 278, 273/279, 288–291, 138.1, 139, 141 R, 273/141 A, 142 R, 143 R, 143 A, 143 B, 273/143 C, 142 E, 142 F, 142 G, 142 H, 273/142 HA, 145 E, 294, 292, 298, 148 R, 273/309, 153 R, 155, 156, 157 R, 153 J, 161, 273/440, 459–461, 317, 340, 342, 108, 273/126 R, 126 A, 127 R, 348.1, 348.3, 273/348.4, 348.5, 351, 355, 368, 373, 374, 273/393, 403–412, 248, 249; 473/14, 10, 473/16; 272/280, 284, 309; 108/167, 119, 108/62; D6/691, 691.1

CPC A63F 3/00; A63F 3/00003; A63F 3/02; A63F 3/04; A63F 3/00082; A63F 3/00088; A63F 3/00091; A63F 3/00097; A63F 3/00173; A63F 3/00176; A63F 3/0023; A63F 3/0052; A63F 3/00694; A63F 3/027; A63F 3/062; A63F 3/0625; A63F 2003/00022; A63F 2003/00208; A63F 2003/00463; A63F 2003/0047; A63F 2003/00523; A63F

2009/0033; A63F 2009/0035; A63F 2009/0047; A63F 9/0073; A63F 3/00895; A63F 2003/00287; A63F 2003/00987; A63F 2003/00968; A63F 2003/00977; A63F 2003/00949; A63D 15/04

See application file for complete search history.

(56) **References Cited**

U.S. PATENT DOCUMENTS

| | | | |
|-------------|--------|------------------|-----------|
| D14,244 S * | 8/1883 | Patitz | D6/300 |
| 356,328 A * | 1/1887 | Peters | A47G 1/06 |
| | | | 40/798 |
| D23,101 S * | 3/1894 | Wells | D21/349 |
| 599,774 A * | 3/1898 | Emmenegger | A47G 1/06 |
| | | | 29/20 |
| D32,732 S * | 5/1900 | Kniper | D6/300 |
| D34,329 S * | 4/1901 | Beistel | D21/341 |
| D36,529 S * | 8/1903 | Balinski | D6/300 |
| D50,410 S * | 2/1917 | Tirpak | D6/300 |
| D55,544 S * | 6/1920 | Addis | D21/349 |

(Continued)

Primary Examiner — Susan Moon Lee

(74) *Attorney, Agent, or Firm* — Dunlap Bennett & Ludwig PLLC

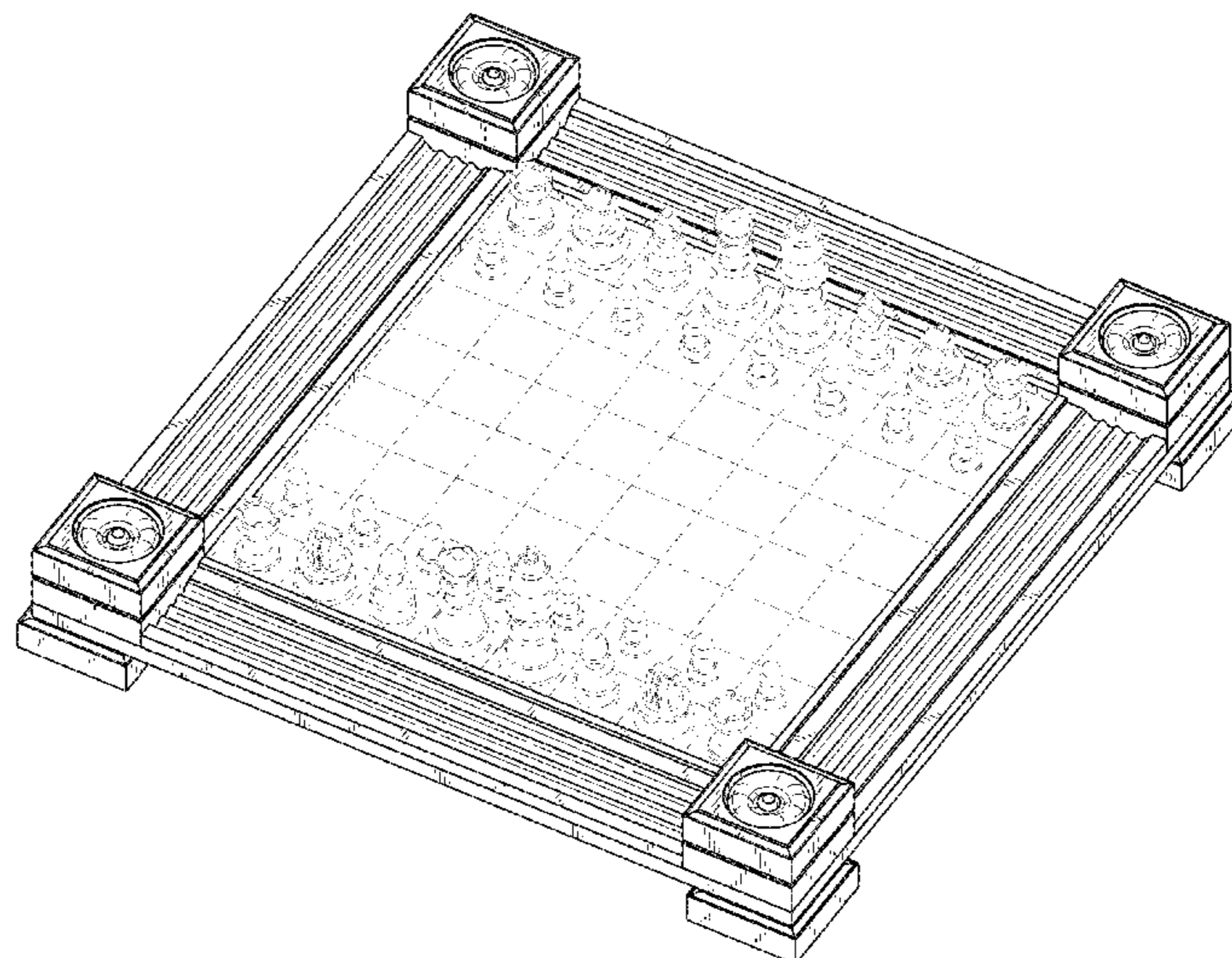
(57) **CLAIM**

The ornamental design for a game board, as shown and described.

DESCRIPTION

FIG. 1 is a front perspective view of a game board; FIG. 2 is a front elevation view thereof, the rear elevation view, the left side elevation view, and the right side elevation view being mirror images thereof; FIG. 3 is a top plan view thereof; FIG. 4 is a bottom plan view thereof; and, FIG. 5 is a front perspective view thereof, shown in use. The broken lines shown in the drawings illustrate portions of the game board that form no part of the claimed design.

1 Claim, 5 Drawing Sheets



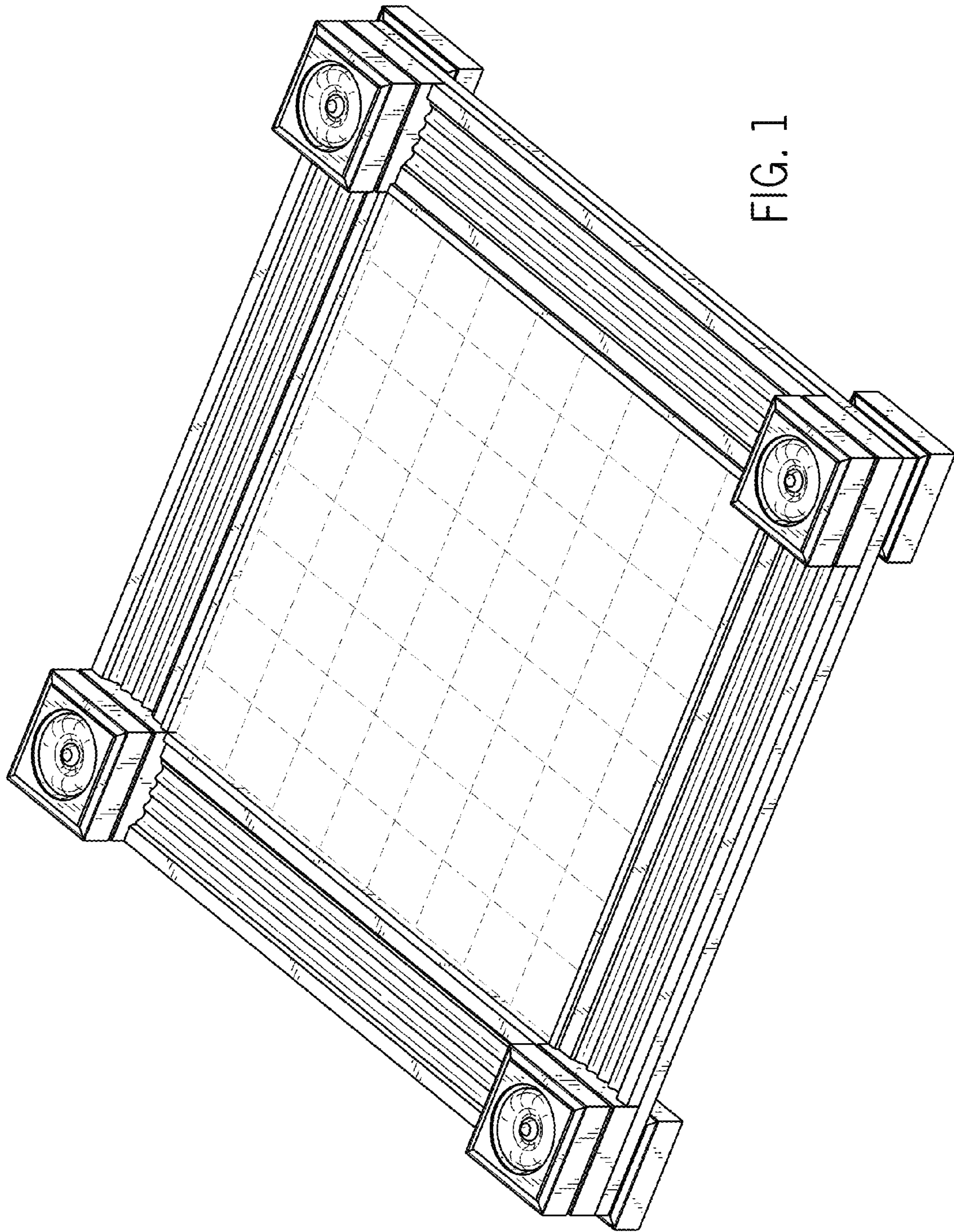


FIG. 1

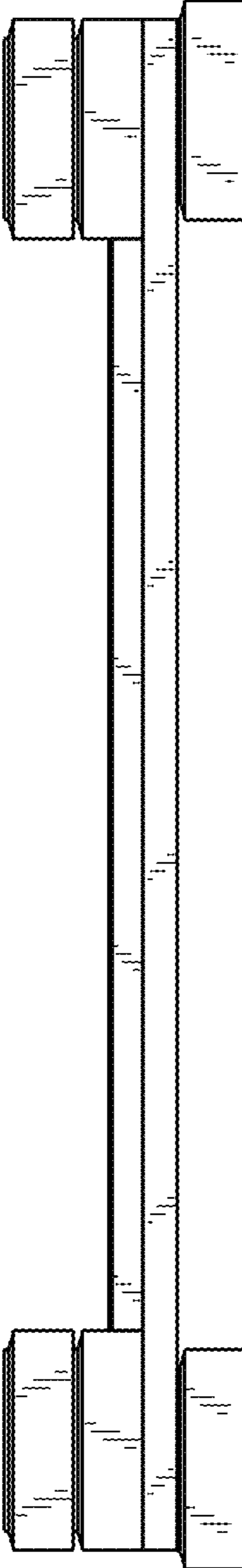


FIG. 2

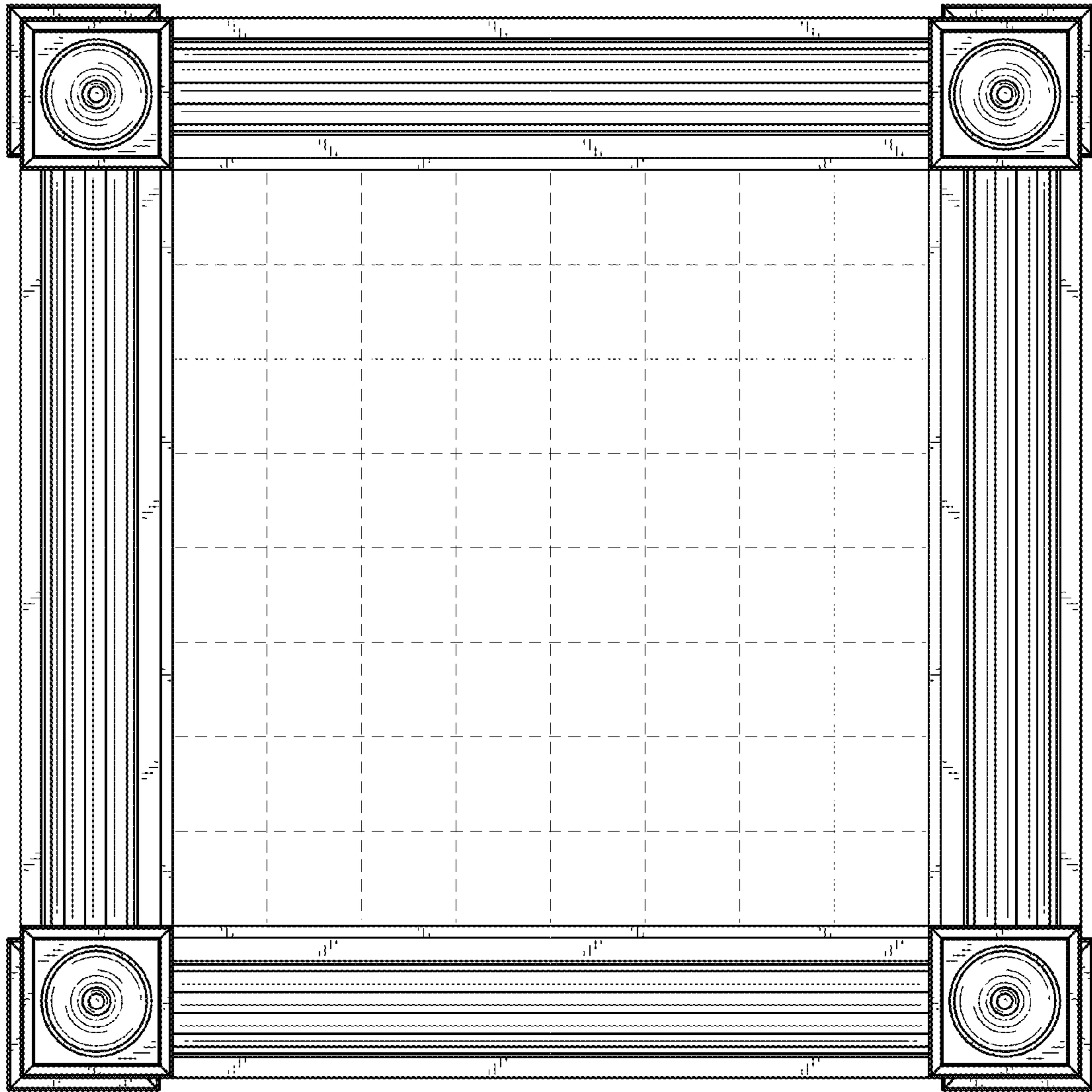


FIG. 3

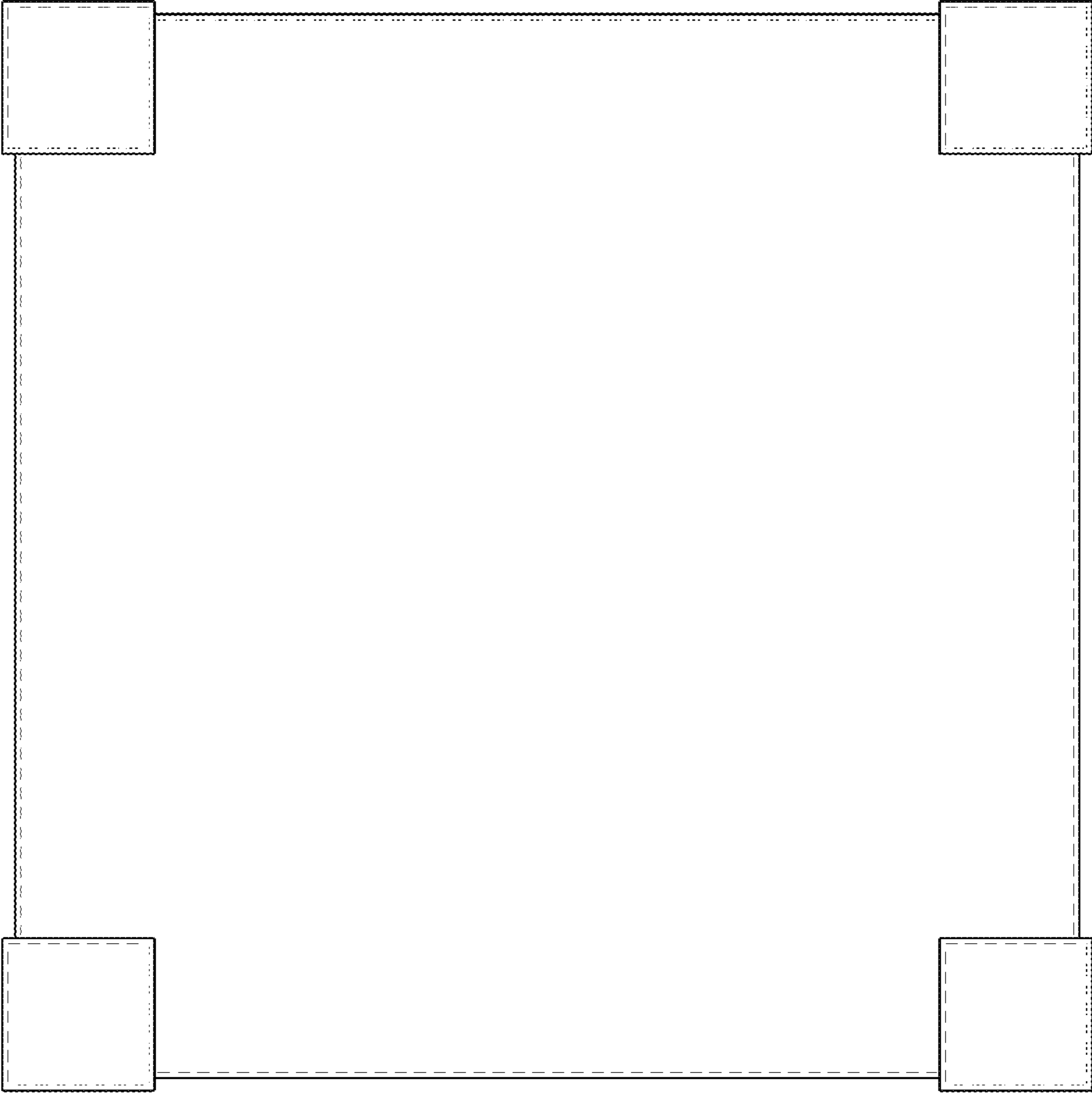


FIG. 4

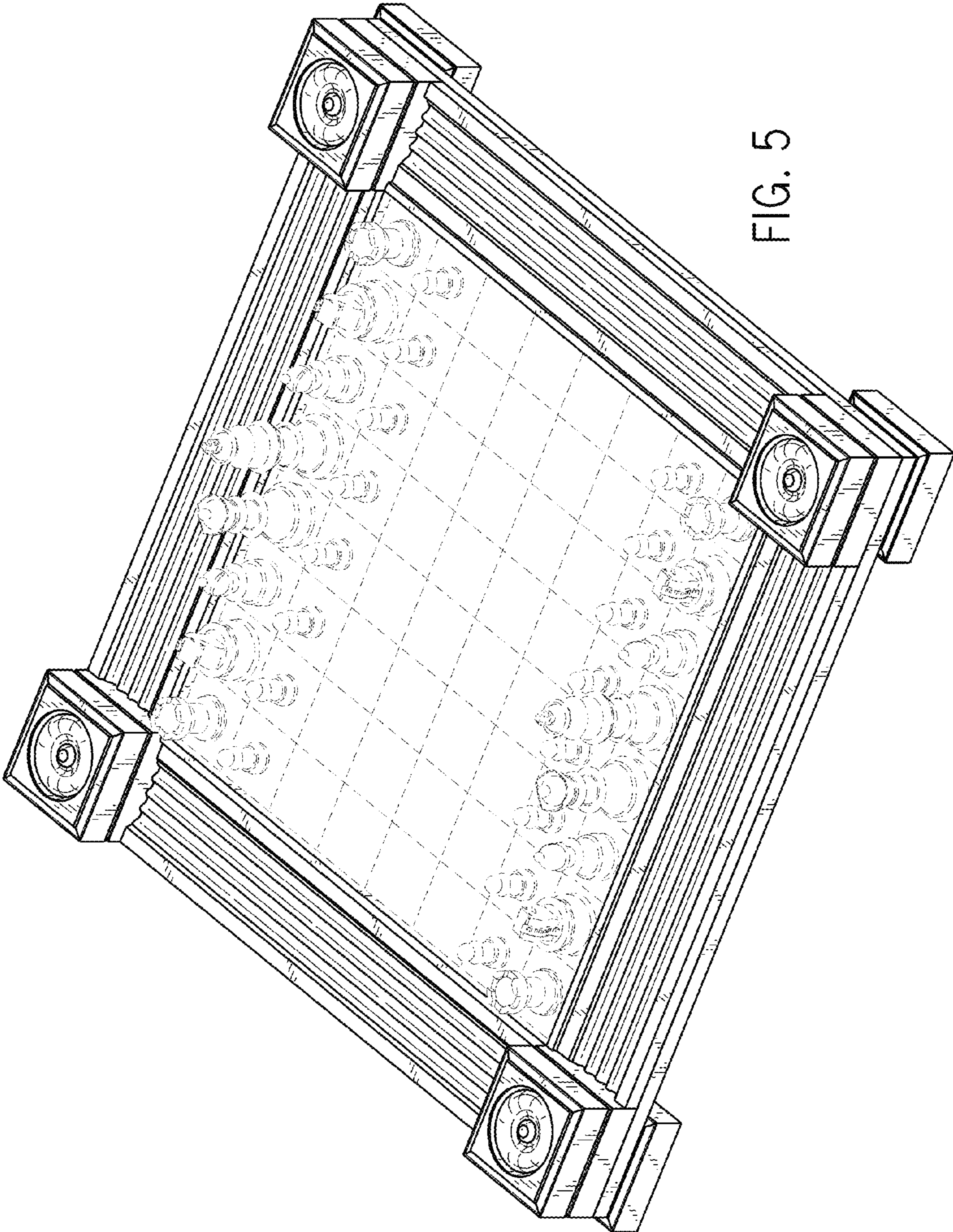


FIG. 5