



US00D763358S

(12) **United States Design Patent**
Quick et al.

(10) **Patent No.:** **US D763,358 S**
(45) **Date of Patent:** **** Aug. 9, 2016**

- (54) **GAME BOARD**
- (71) Applicants: **Scott G. Quick**, Rochester, NY (US);
James B. Rafferty, Rochester, NY (US)
- (72) Inventors: **Scott G. Quick**, Rochester, NY (US);
James B. Rafferty, Rochester, NY (US)
- (73) Assignee: **Bru-Bag, LLC**, Rochester, NY (US)
- (**) Term: **15 Years**
- (21) Appl. No.: **29/541,864**
- (22) Filed: **Oct. 8, 2015**

- 207,835 A * 9/1878 Witsil A63F 7/0005
273/123 R
- 406,342 A * 7/1889 Dumont A63B 67/06
273/402
- 425,249 A * 4/1890 Poggenburg A63F 7/0005
273/123 R
- 445,016 A * 1/1891 Greene A63F 7/0005
200/37 R
- 469,554 A * 2/1892 Favor A63B 67/06
273/401
- 593,343 A * 11/1897 Whitney A63B 67/06
273/381
- 607,020 A * 7/1898 Dodge A63B 63/00
273/123 R
- 619,663 A * 2/1899 Bowie A63F 7/0005
273/123 R

(Continued)

Related U.S. Application Data

- (63) Continuation-in-part of application No. 14/055,519,
filed on Oct. 16, 2013, now abandoned.
- (51) **LOC (10) Cl.** **21-01**
- (52) **U.S. Cl.**
USPC **D21/303**
- (58) **Field of Classification Search**
USPC D21/303, 301, 302, 304, 300, 334, 336,
D21/341, 342, 343, 319, 789, 790, 791, 792,
D21/397; 273/398-402, 343, 317, 336, 348,
273/407, 408, 410, 108, 287, 331, 236,
273/118 R, 123 R, 127 R; 473/180, 175, 179,
473/182, 185, 187, 569, 592
CPC A63B 63/00; A63B 63/08; A63B 67/00;
A63B 67/06; A63B 67/066; A63B 2063/002;
A63B 2067/065; A63B 2067/063; A63B
2067/061; A63B 2208/12; A63B 71/00
See application file for complete search history.

Primary Examiner — Susan Moon Lee

(74) *Attorney, Agent, or Firm* — Tracy Jong Law Firm;
Tracy P. Jong; Cheng Ning Jong

(57) **CLAIM**

We claim the ornamental design for a game board, as shown
and described.

DESCRIPTION

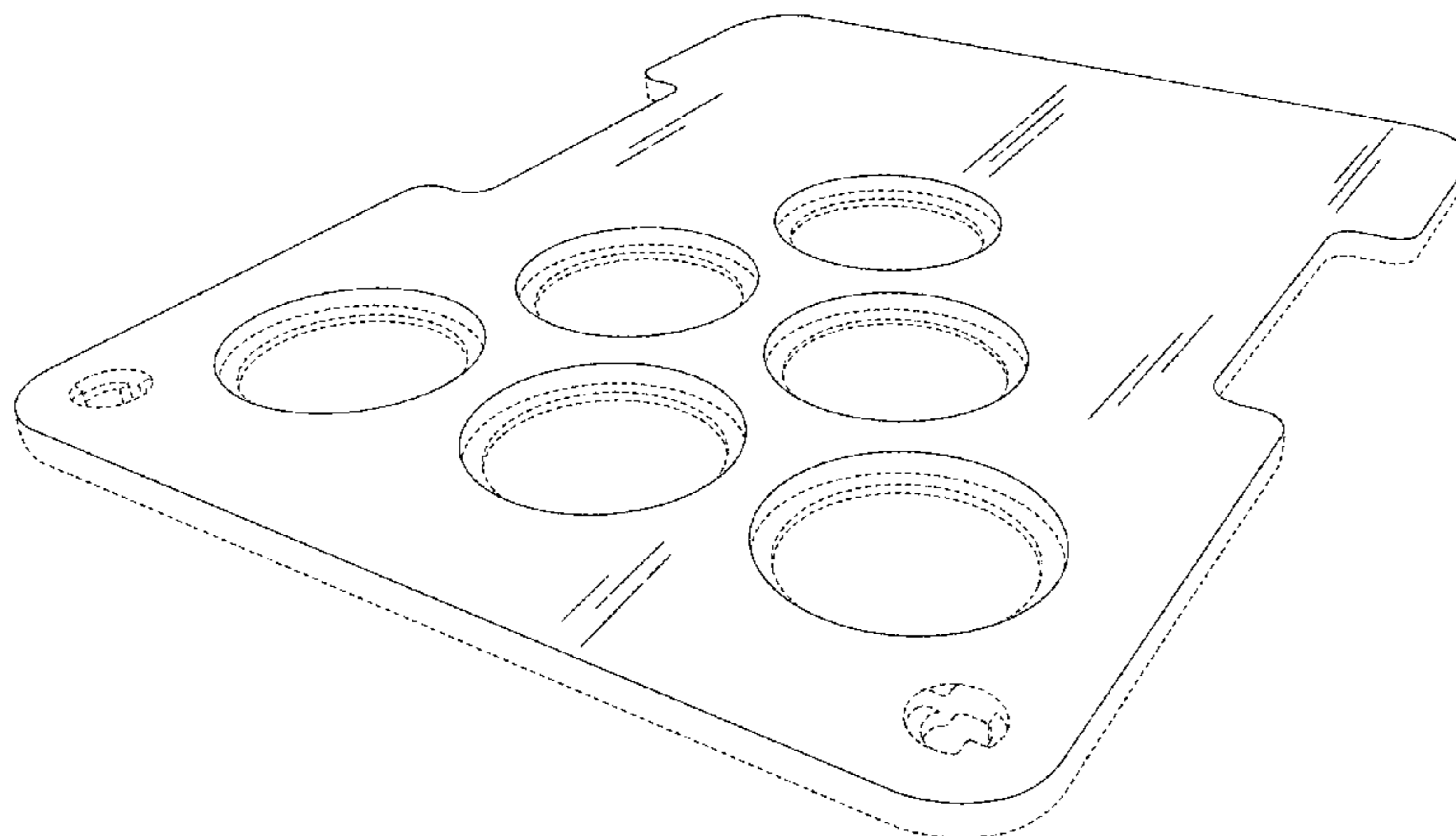
FIG. 1 is a top rear perspective view of one embodiment
according to the present game board;
FIG. 2 is a bottom front perspective view thereof;
FIG. 3 is a top view thereof;
FIG. 4 is a bottom view thereof;
FIG. 5 is a right side view thereof;
FIG. 6 is a left side view thereof;
FIG. 7 is a front view thereof; and,
FIG. 8 is a rear view thereof.
The large unshaded surfaces shown in FIG. 2 and the broken
lines shown throughout the views represent the portions of the
design that form no part of the claim.

(56) **References Cited**

U.S. PATENT DOCUMENTS

- 147,735 A * 2/1874 Bogia et al. A63F 7/0005
273/123 R

1 Claim, 5 Drawing Sheets



- (56) **References Cited**
- U.S. PATENT DOCUMENTS
- D32,518 S * 4/1900 Adams D21/303
669,576 A * 3/1901 Dixon A63F 7/0005
273/123 R
742,416 A * 10/1903 Hall 273/123 R
815,649 A * 3/1906 Smith A63B 57/40
404/35
827,626 A * 7/1906 Gillet A63B 67/06
273/402
922,717 A * 5/1909 Parker A63B 67/06
273/401
1,167,452 A * 1/1916 Ward A63F 7/0005
273/126 R
1,199,564 A * 9/1916 Judge 273/398
1,259,888 A * 3/1918 MacCormack A63F 7/0005
273/123 R
1,279,654 A * 9/1918 Charlesworth A63F 9/02
124/7
1,314,843 A * 9/1919 West A63F 7/0005
273/123 R
1,315,927 A * 9/1919 Geib A63F 7/0005
273/123 R
1,427,482 A * 8/1922 Krauth A63F 7/0005
273/123 R
1,503,415 A * 7/1924 Fohmann A63F 7/305
273/123 R
1,516,887 A * 11/1924 McPherson A63F 9/0204
273/317.6
1,527,447 A * 2/1925 Smith A63B 57/40
273/127 B
1,541,980 A * 6/1925 Luber A63F 7/305
273/122 R
1,636,920 A * 7/1927 Nichols A63F 9/0204
273/402
1,656,739 A * 1/1928 Kurtz A63B 63/08
273/127 R
1,687,217 A * 10/1928 Kurtz A63B 57/40
473/185
D77,020 S * 11/1928 Meilicke 473/180
1,784,863 A * 12/1930 Busse A63B 67/02
473/184
D86,836 S * 4/1932 Gibbs D21/303
1,864,030 A * 6/1932 Ross A63B 63/08
473/185
1,872,454 A * 8/1932 Horn A63F 9/02
124/7
1,874,873 A * 8/1932 Boye A63B 67/02
273/123 R
D87,733 S * 9/1932 Steiger 273/123 R
1,939,819 A * 12/1933 Lopez A63F 7/0005
273/125 R
1,942,280 A * 1/1934 Fohmann A63F 7/0005
273/119 R
1,989,484 A * 1/1935 Maryfield A63F 9/02
273/402
2,021,989 A * 11/1935 De Master A63F 9/0204
273/401
2,222,684 A * 11/1940 Rayburn A63F 7/0005
273/123 R
D129,137 S * 8/1941 Baker D21/790
2,287,113 A * 6/1942 Markey A63F 7/0023
273/309
D141,390 S * 5/1945 Welsh D21/790
D143,838 S * 2/1946 Marr D21/790
2,439,333 A * 4/1948 Berning A63F 7/0005
273/123 R
D157,500 S * 2/1950 King D21/303
D160,350 S * 10/1950 Vunck D21/303
D161,248 S * 12/1950 Darr 473/19
2,540,288 A * 2/1951 Powers A63F 9/0204
273/402
D162,685 S * 3/1951 Pellicone 273/123 R
2,704,212 A * 3/1955 Dunseith A63F 7/305
273/124 R
2,744,752 A * 5/1956 Arnold A63B 67/06
273/398
2,810,580 A * 10/1957 Johnson A63B 67/02
473/185
2,850,283 A * 9/1958 Lemelson A63F 7/066
273/108.3
D183,841 S * 11/1958 Keats D21/303
2,873,969 A * 2/1959 Ziel A63B 69/0002
273/402
D186,276 S * 10/1959 Neiler D21/790
2,967,714 A * 1/1961 Calabrese A63F 3/00094
273/271
3,003,767 A * 10/1961 Keuls A63F 9/02
124/79
D201,689 S * 7/1965 Linder D21/790
3,275,325 A * 9/1966 MacKenzie A63B 57/405
193/2 R
3,372,934 A * 3/1968 Heil A63F 9/0204
273/342
3,386,737 A * 6/1968 Burgess A63F 7/0005
273/126 R
3,628,793 A * 12/1971 Mudloff A63B 67/06
220/324
3,817,535 A * 6/1974 Doughty A63F 7/305
473/185
3,841,632 A * 10/1974 Schwartz A63D 3/00
273/118 R
3,856,313 A * 12/1974 Tierney A63B 67/02
273/125 R
3,865,377 A * 2/1975 Cooper A63F 7/0005
273/119 R
D234,435 S * 3/1975 Pineiro, Jr. D21/303
3,899,173 A * 8/1975 Zaris A63F 7/0612
124/41.1
D239,299 S * 3/1976 O'Shea D21/790
4,012,042 A * 3/1977 Blasingame A63B 67/06
273/401
4,030,760 A * 6/1977 Danowski A63F 9/0204
273/353
D245,798 S * 9/1977 Norden D21/303
4,177,737 A * 12/1979 Brickman A47C 9/10
108/11
D254,017 S * 1/1980 Norden D21/303
4,203,604 A * 5/1980 La Grange A63B 69/3661
273/DIG. 13
4,243,229 A * 1/1981 Huser A63F 9/0204
273/402
4,323,250 A * 4/1982 Lansberry A63F 7/305
206/315.1
4,550,913 A * 11/1985 Price A63F 7/0076
273/126 R
4,691,923 A * 9/1987 Schwartz A63B 63/08
273/127 B
4,709,929 A * 12/1987 Mills A63B 63/08
273/402
4,877,250 A * 10/1989 Centafanti A63B 67/02
273/DIG. 13
4,923,201 A * 5/1990 Nichol A63F 9/02
273/118 A
4,936,590 A * 6/1990 Palmer A63B 63/08
273/285
4,961,586 A * 10/1990 Conville A63B 67/06
273/402
4,968,041 A * 11/1990 Calvo A63B 67/06
273/401
4,995,611 A * 2/1991 Goldthorpe A63F 7/0017
108/19
5,029,863 A * 7/1991 Krawczyk A63F 7/0005
273/113
5,050,889 A * 9/1991 Walker A63F 9/0204
273/402
5,056,797 A * 10/1991 Hockert A63B 67/06
273/402
D326,481 S * 5/1992 Pritchett D21/365
5,131,658 A * 7/1992 Grenon A63B 63/00
473/185
D330,227 S * 10/1992 Franklin D21/303
D334,777 S * 4/1993 Caravella D21/303
5,201,527 A * 4/1993 Koket A63B 71/0036
273/402

(56)

References Cited

U.S. PATENT DOCUMENTS

5,320,360	A *	6/1994	St. Pierre	A63F 9/0204	D688,749	S *	8/2013	Pavony	D21/303
				273/402	8,662,501	B1 *	3/2014	Perales	A63B 63/08
D348,501	S *	7/1994	Wong	D21/790					108/44
5,342,057	A *	8/1994	Sorkoram	G09F 23/14	D706,353	S *	6/2014	Montenare	D21/303
				273/239	D706,354	S *	6/2014	Montenare	D21/303
D363,953	S *	11/1995	Buse	D21/303	D706,355	S *	6/2014	Montenare	D21/303
5,476,260	A *	12/1995	Ottley	A63B 67/002	D721,137	S *	1/2015	Sindaco	D21/303
				273/118 R	D726,830	S *	4/2015	Olden	D21/303
D369,188	S *	4/1996	Briggs	D21/303	D729,319	S *	5/2015	Meissner	D21/303
5,533,734	A *	7/1996	Husk	A63B 67/06	9,033,760	B2 *	5/2015	Filip	A63H 33/42
				273/402					273/283
5,536,007	A *	7/1996	Snyder	A63F 7/04	D748,198	S *	1/2016	Nally	D21/302
				119/702	2004/0188942	A1 *	9/2004	Trokan	A63F 7/0017
5,573,247	A *	11/1996	Ridge	A63B 63/08					273/342
				273/271	2005/0023762	A1 *	2/2005	Greiwe	A63B 67/06
D382,601	S *	8/1997	Antill	D21/303					273/317
D392,010	S *	3/1998	Ridge	D21/790	2005/0104284	A1 *	5/2005	Pollu	A63B 63/08
5,755,439	A *	5/1998	Turner	A63F 7/0005					273/123 R
				273/108	2005/0127609	A1 *	6/2005	Raslowsky	A63B 67/06
D399,285	S *	10/1998	Ridge	D21/789					273/402
D401,308	S *	11/1998	D'Emidio	D21/303	2006/0027971	A1 *	2/2006	Radhakrishnan	A63B 67/002
5,839,724	A *	11/1998	Bunac, Jr.	A63F 7/0005					273/309
				273/118 R	2006/0125186	A1 *	6/2006	Digges, III	A63B 67/06
D405,474	S *	2/1999	Trondson	D21/303					273/402
5,871,216	A *	2/1999	Sparacino	A63B 63/08	2006/0226606	A1 *	10/2006	Finley	A63B 67/002
				273/402					273/342
D407,764	S *	4/1999	Ashton	D21/303	2007/0001399	A1 *	1/2007	Staver	A63B 67/06
5,909,877	A *	6/1999	Bour	A63B 67/06					273/317.3
				273/402	2007/0063447	A1 *	3/2007	Gholson	A63B 67/06
5,979,646	A *	11/1999	Strachan	B65D 71/70					273/400
				206/217	2007/0080499	A1 *	4/2007	Greiwe	A63B 67/06
D420,397	S *	2/2000	Castro	D21/303					273/398
6,149,152	A *	11/2000	Mancke	A63B 63/004	2008/0042360	A1 *	2/2008	Veikley	A63B 67/06
				273/123 R					273/398
6,179,295	B1 *	1/2001	Lanza	A63F 9/02	2008/0116644	A1 *	5/2008	Knoernschild	A63B 67/06
				273/123 R					273/336
D438,910	S *	3/2001	Culberson	D21/303	2008/0179833	A1 *	7/2008	Held	A63F 9/02
6,241,247	B1 *	6/2001	Sternberg	A63F 13/06					273/402
				273/148 B	2009/0295093	A1 *	12/2009	Kiernan	A63B 67/06
6,244,598	B1 *	6/2001	Conville	A63B 63/00					273/317.2
				273/402	2010/0164175	A1 *	7/2010	Buchanan	A63B 67/06
6,296,249	B1 *	10/2001	Mogensen	A63B 67/06					273/402
				273/126 R	2010/0194047	A1 *	8/2010	Sauerwine	A63B 67/06
6,341,780	B1 *	1/2002	Pant	A63B 67/06					273/400
				273/400	2011/0031685	A1 *	2/2011	Jude	A63F 7/0005
D467,586	S *	12/2002	Shimoda	D14/436					273/126 R
D474,246	S *	5/2003	Carr	D21/303	2011/0215528	A1 *	9/2011	Conville	A63B 67/06
6,932,344	B1 *	8/2005	Soto	A63B 67/06					273/402
				273/336	2011/0254226	A1 *	10/2011	Sauerwine	F41J 3/02
7,193,161	B1 *	3/2007	Takiar	H01L 23/49855					273/317
				174/521	2012/0038108	A1 *	2/2012	McLaughlin, Jr.	A63B 63/08
D544,041	S *	6/2007	Murphy	D21/303					273/402
7,255,648	B1 *	8/2007	Romeo	A63B 57/357	2012/0235356	A1 *	9/2012	Weiss	A63F 3/00028
				473/180					273/398
D552,612	S *	10/2007	Nishizawa	D14/436	2012/0256378	A1 *	10/2012	Brown	A63B 63/08
7,294,062	B2 *	11/2007	Ting	A63B 67/02					273/401
				473/160	2014/0091526	A1 *	4/2014	Nally	A63B 63/08
7,325,807	B1 *	2/2008	Eason	A63F 7/0005					273/402
				273/342	2014/0239594	A1 *	8/2014	Deloatch	A63B 67/06
D600,286	S *	9/2009	Pruitt	D21/303					273/398
7,607,666	B1 *	10/2009	Studier	A63B 63/00	2014/0265136	A1 *	9/2014	Parker	A63B 63/00
				116/222					273/398
D621,881	S *	8/2010	Youngberg	D21/303	2015/0054221	A1 *	2/2015	Sandman	A63B 67/06
D635,197	S *	3/2011	Pryor	D21/303					273/402
D645,520	S *	9/2011	Dahl	D21/303	2015/0108719	A1 *	4/2015	Devine	A63B 67/06
D649,601	S *	11/2011	Buchanan	D21/303					273/402
8,127,689	B2 *	3/2012	Christian	A47B 3/0912	2015/0115531	A1 *	4/2015	Ali	A63B 63/00
				108/11					273/398
8,162,318	B1 *	4/2012	Peterson	A63B 67/06	2015/0231467	A1 *	8/2015	Sciandra	A63B 67/06
				273/343					273/402
8,287,395	B2 *	10/2012	Green	A63B 67/02	2015/0265894	A1 *	9/2015	Weber	A63B 67/06
				473/159					273/400
					2016/0008689	A1 *	1/2016	Janeri	A63B 67/06
									273/402

* cited by examiner

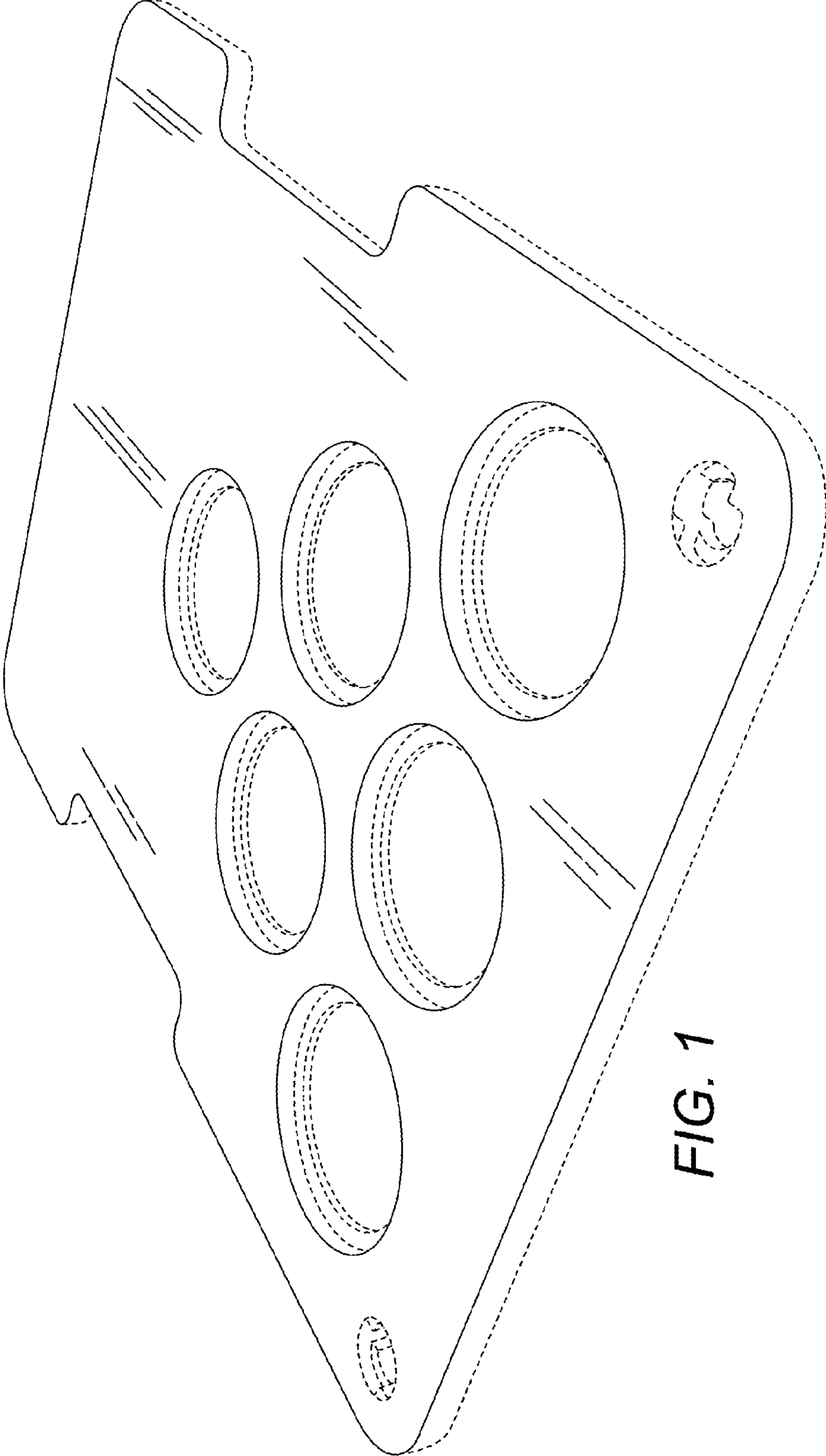


FIG. 1

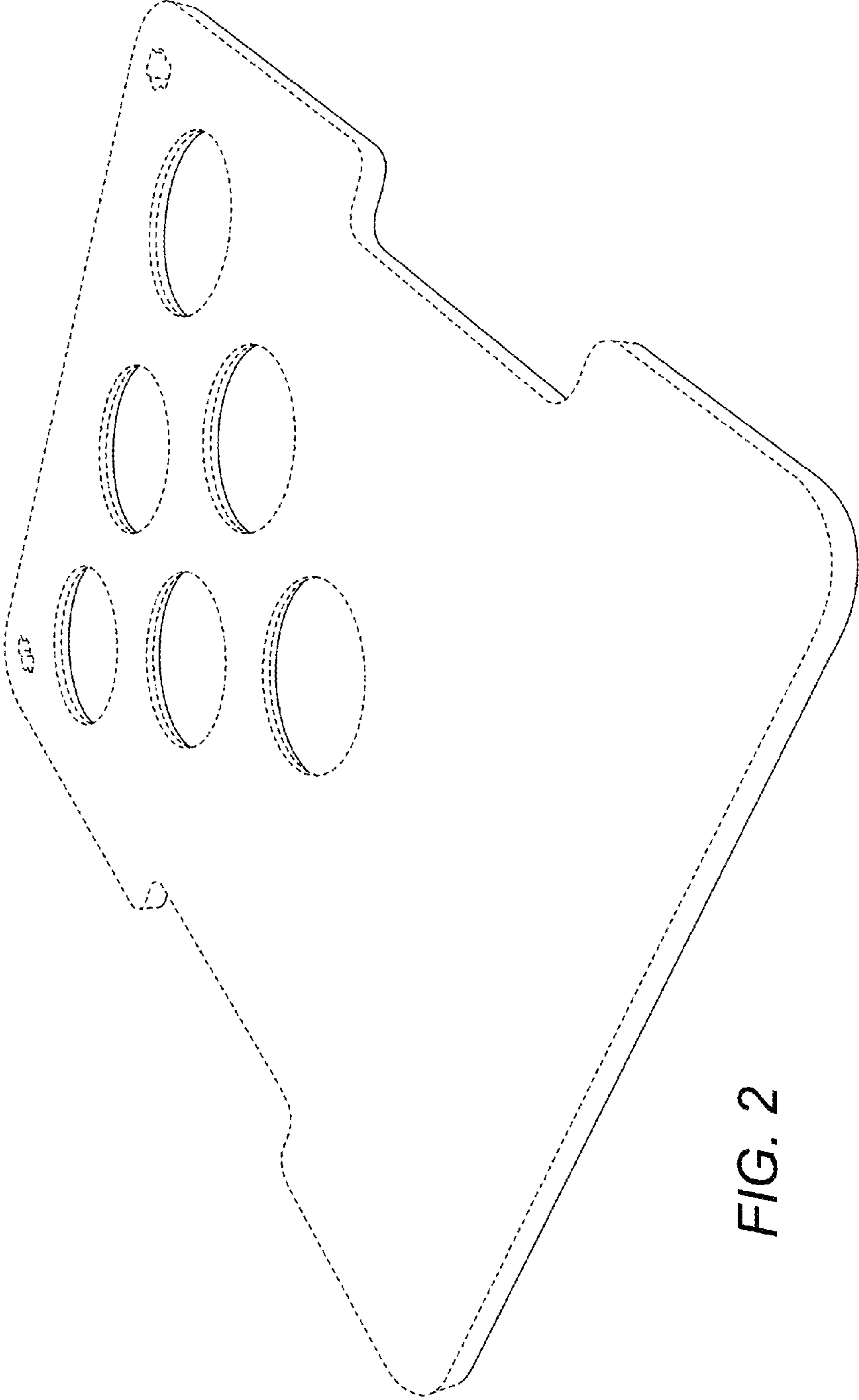


FIG. 2

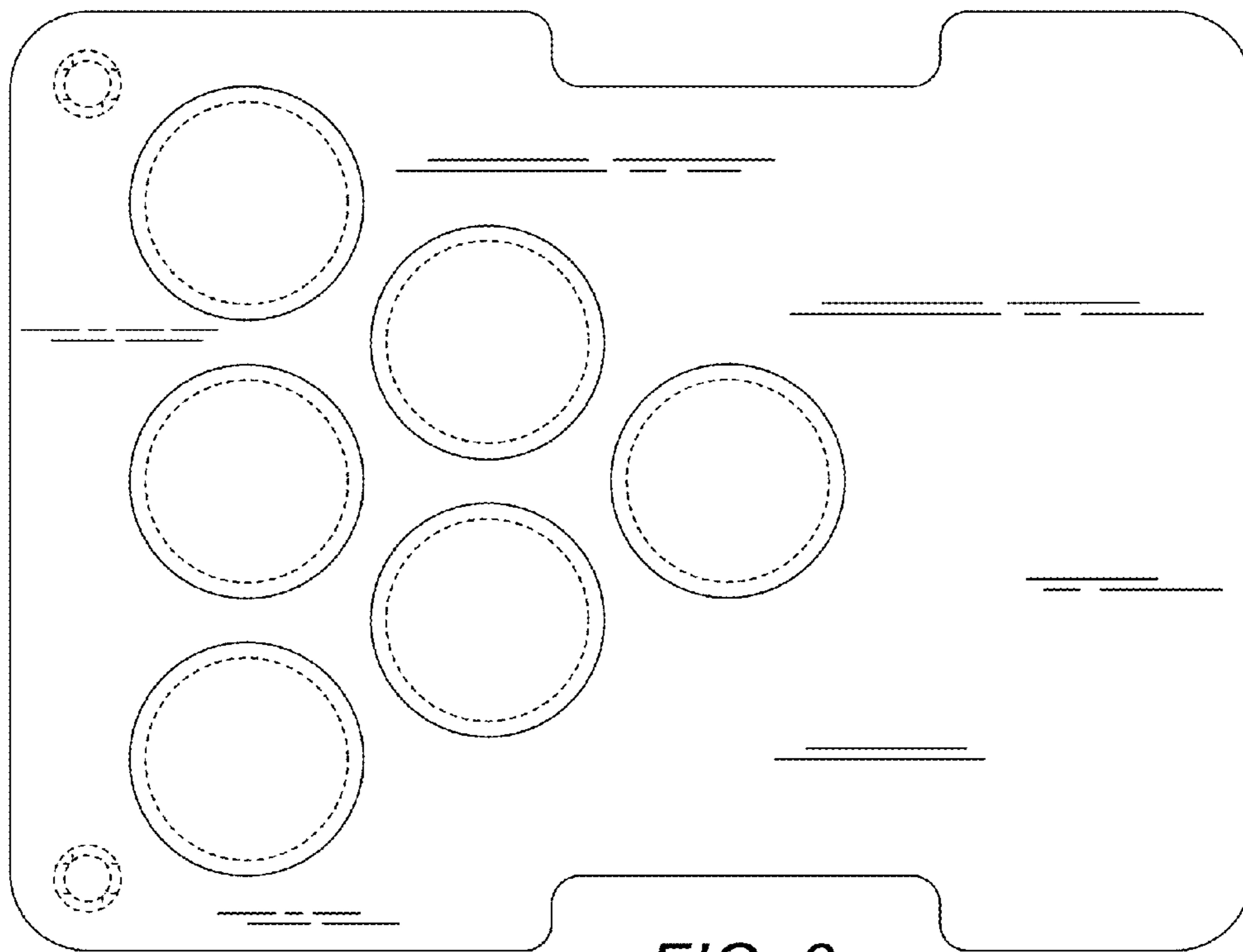
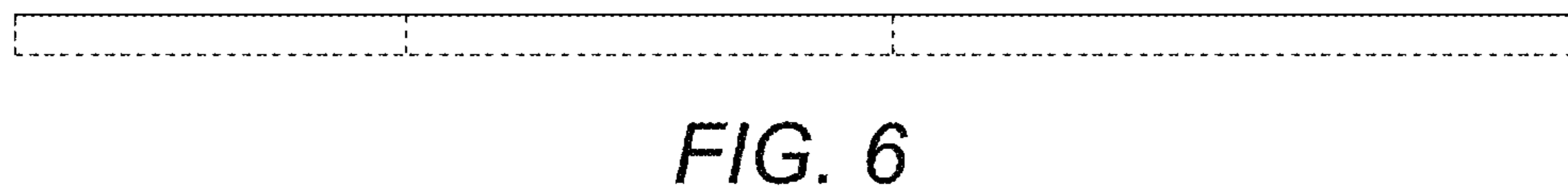
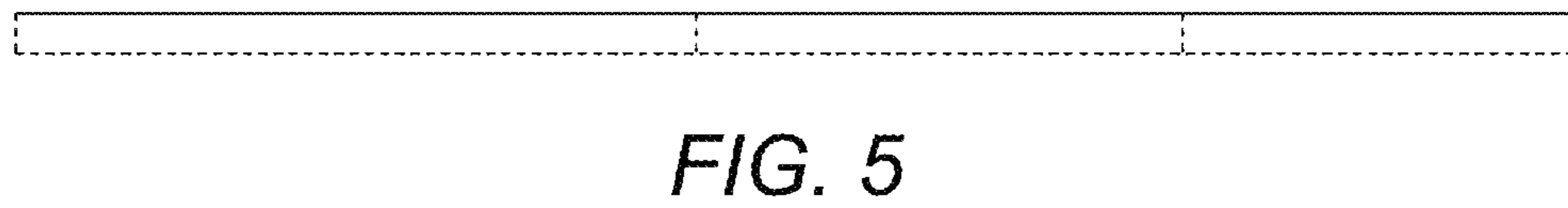
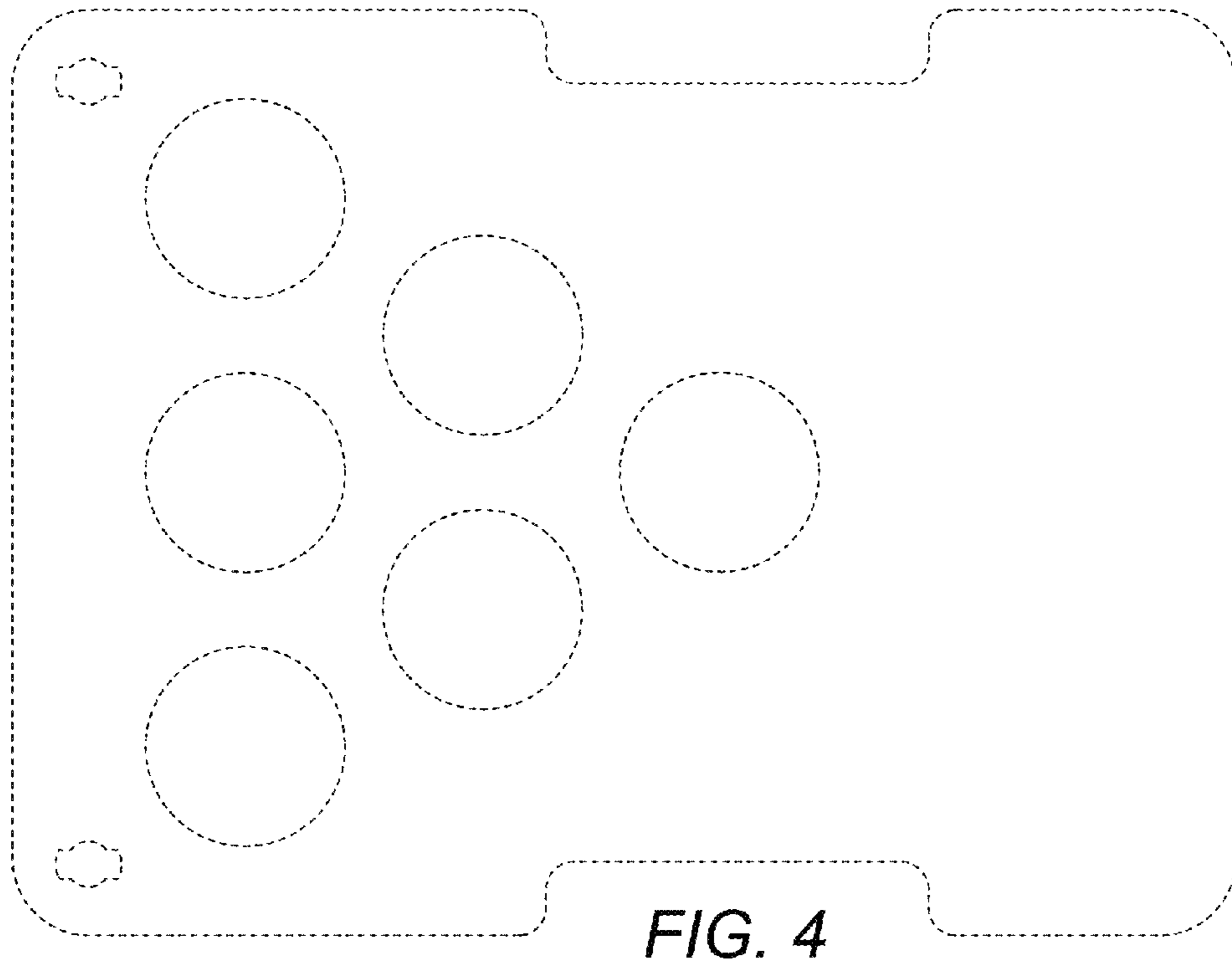


FIG. 3



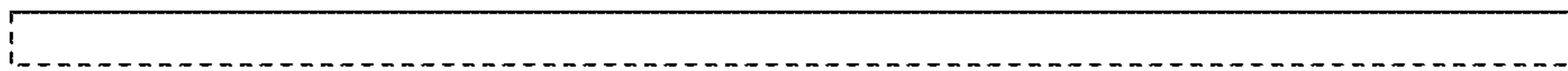


FIG. 7

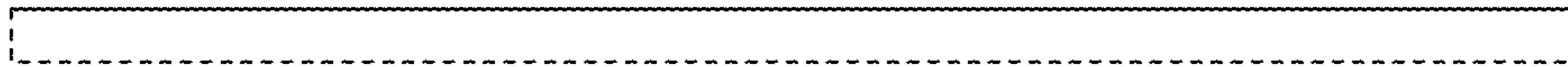


FIG. 8