

US00D763353S

(12) **United States Design Patent**
Cho et al.

(10) **Patent No.:** **US D763,353 S**

(45) **Date of Patent:** **** Aug. 9, 2016**

(54) **MULTI-FUNCTION PRINTER**

(71) Applicant: **Samsung Electronics Co., Ltd.**,
Suwon-si (KR)

(72) Inventors: **Soo Young Cho**, Seoul (KR);
Friedrich-Konrad Wilhelm Gerhard Frenkler,
Munich (DE); **Kwang Hyuck So**, Seoul (KR);
Sean Fraser Suckling, Munich (DE); **Eun Joo Mo**,
Seoul (KR); **Eung Yul Lee**, Seoul (KR); **Jue Hyun Jung**,
Seoul (KR); **Anette Ponholzer**, Munich (DE)

(73) Assignee: **Samsung Electronics Co., Ltd.**,
Suwon-si (KR)

(**) Term: **15 Years**

(21) Appl. No.: **29/531,836**

(22) Filed: **Jun. 30, 2015**

(30) **Foreign Application Priority Data**

Dec. 30, 2014 (KR) 30-2014-0064142

(51) **LOC (10) CL.** **18-02**

(52) **U.S. CL.**
USPC **D18/56**

(58) **Field of Classification Search**
USPC D18/53, 50, 54, 56, 59, 36, 38, 39, 40,
D18/41, 45, 34.4, 34.5, 34.6; D14/301, 307,
D14/129, 130
CPC ... G06K 15/12; G06K 15/14; H04N 1/00204;
H04N 1/00249; H04N 1/00278; B41J 3/00;
B41J 3/28; B41J 3/445; B41J 3/46
See application file for complete search history.

(56) **References Cited**

U.S. PATENT DOCUMENTS

D283,323 S * 4/1986 Cervero D14/451
D298,637 S * 11/1988 Sokolowski D18/46

D328,469 S * 8/1992 Stilley D18/14
D428,891 S * 8/2000 Harada D14/425
D447,768 S * 9/2001 Shiozaki D18/53
D645,897 S * 9/2011 Chuang D18/50
D669,119 S * 10/2012 Sato D18/50
D732,109 S * 6/2015 Chung D18/50
D732,606 S * 6/2015 Chung D18/50

(Continued)

FOREIGN PATENT DOCUMENTS

EM 000329982-0012 * 6/2005

OTHER PUBLICATIONS

Coroflot of Stanislav Tsybulsky. <URL: <http://www.coroflot.com/stanislavtsybulsky/POSM-Sketches>>. Oct. 3, 2012. Interactive Display CAD.*

Primary Examiner — Bridget L Eland

Assistant Examiner — Lauren McVey

(74) *Attorney, Agent, or Firm* — NSIP Law

(57) **CLAIM**

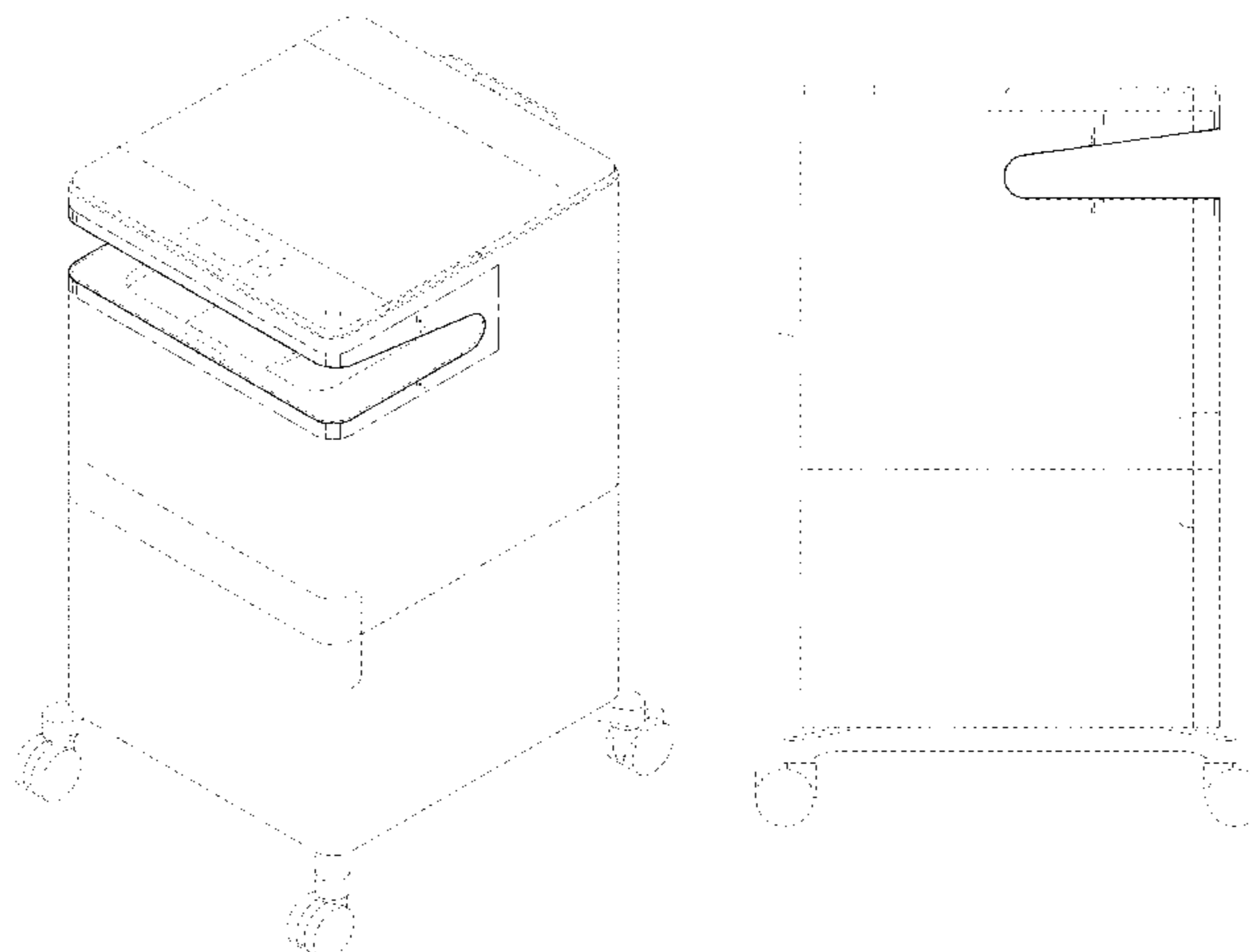
We claim the ornamental design for a multi-function printer, as shown and described.

DESCRIPTION

FIG. 1 is a front perspective view of a multi-function printer showing our new design;
FIG. 2 is a front view thereof;
FIG. 3 is a rear view thereof;
FIG. 4 is a left-side view thereof;
FIG. 5 is a right-side view thereof;
FIG. 6 is a top view thereof; and,
FIG. 7 is a bottom view thereof.

The dot dash broken lines and the broken lines that are immediately adjacent to the claim, represent the bounds of the claim and are not included in the claim, while all other broken lines are directed to environment; the broken lines form no part of the claimed design.

1 Claim, 6 Drawing Sheets



US D763,353 S

Page 2

(56)

References Cited

U.S. PATENT DOCUMENTS

D732,607 S *	6/2015	Backs	D18/50	
D741,401 S *	10/2015	Minamide	D18/50	* cited by examiner
D751,638 S *	3/2016	Chung	D18/53	
2008/0003010 A1 *	1/2008	Isogai	H04N 1/0035 399/81	

FIG.1

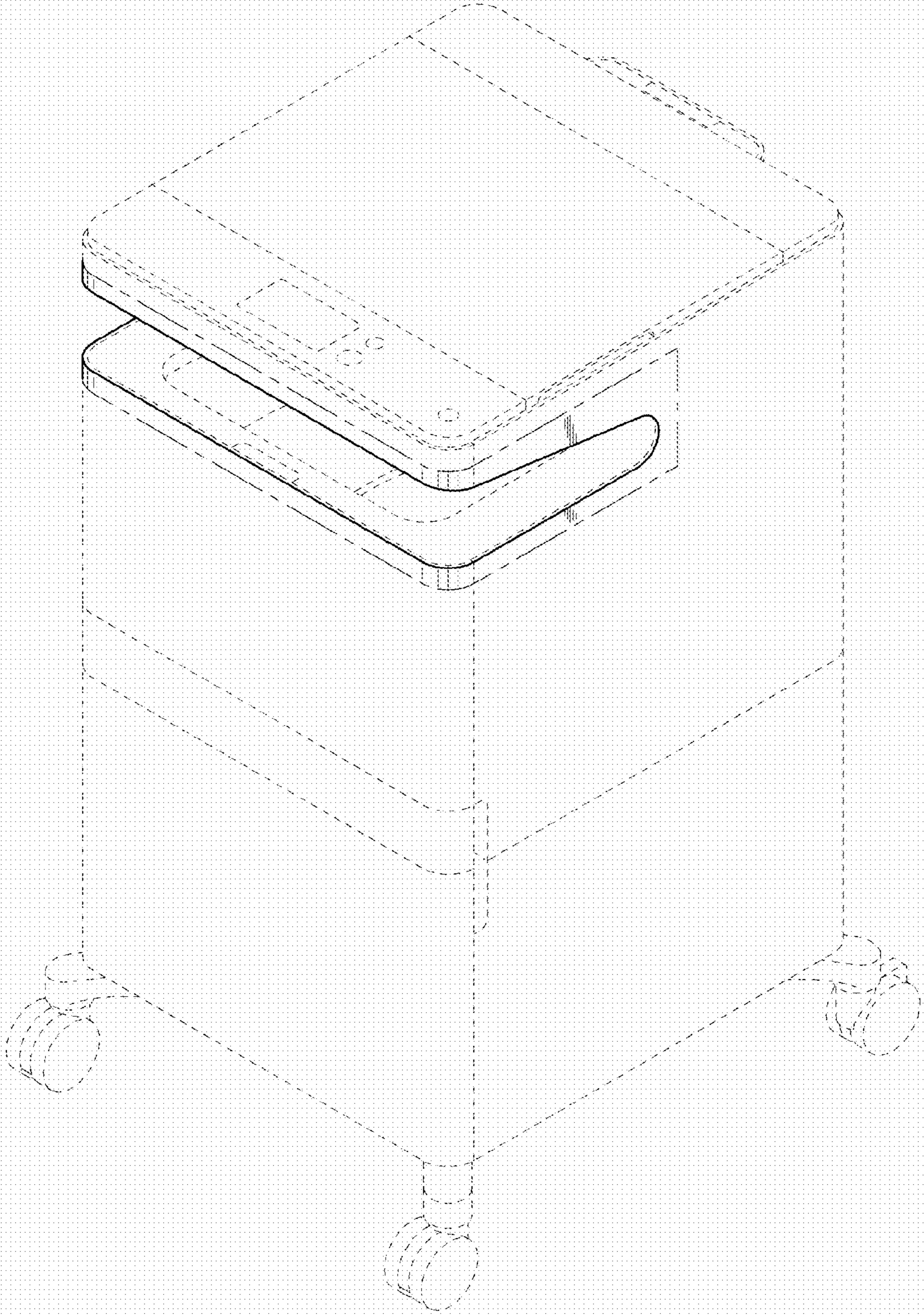


FIG.2

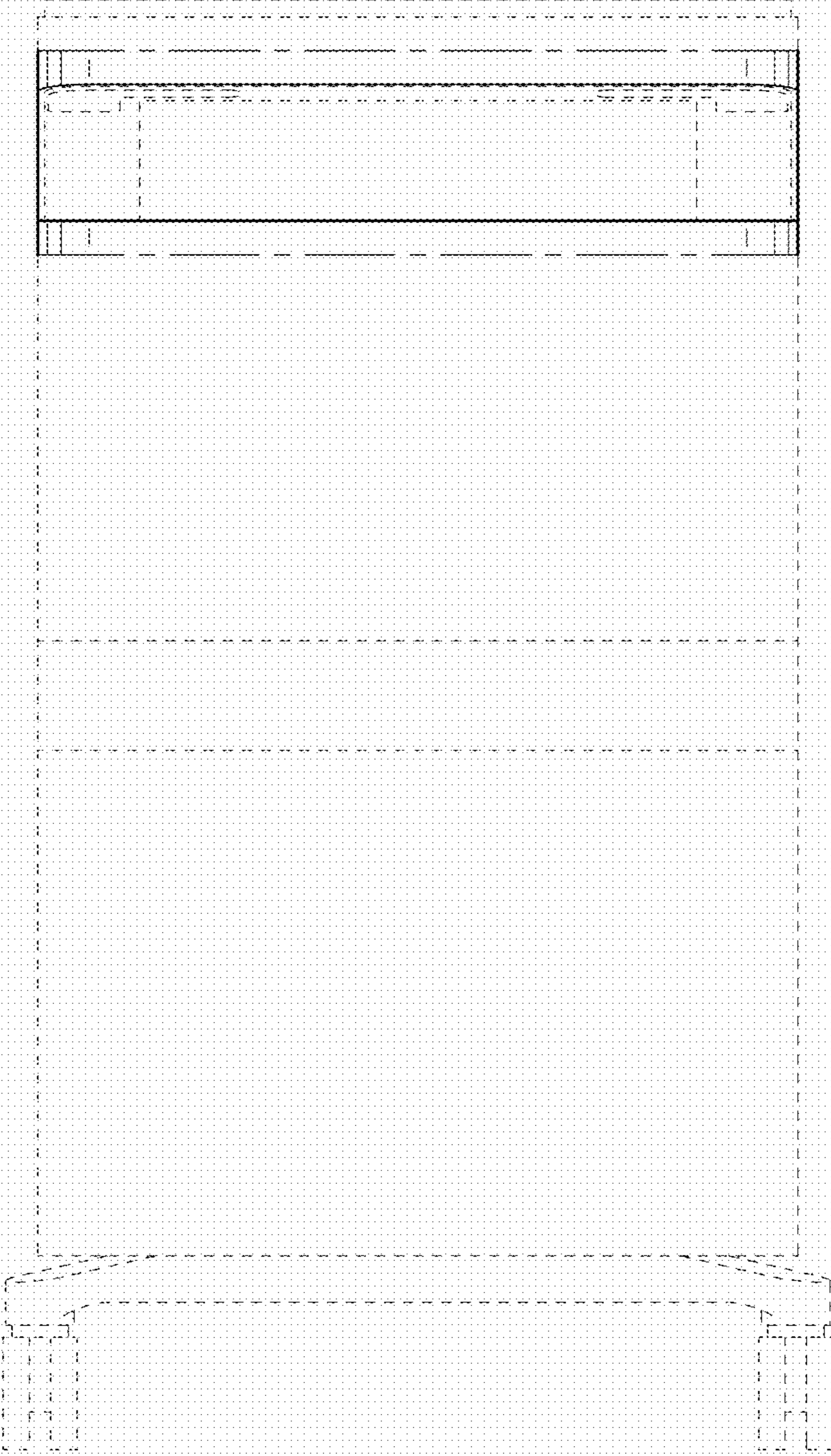


FIG.3

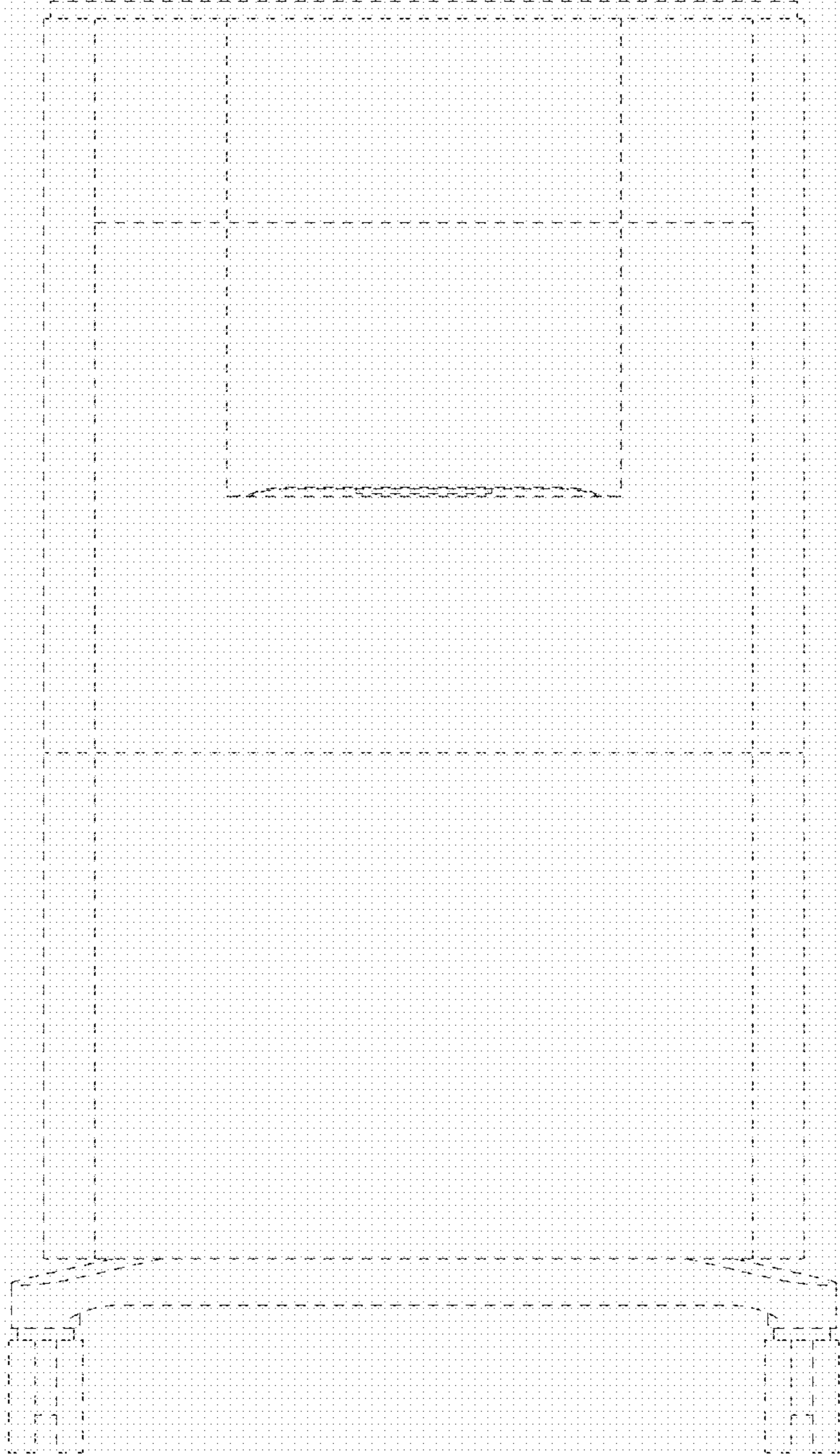


FIG.4

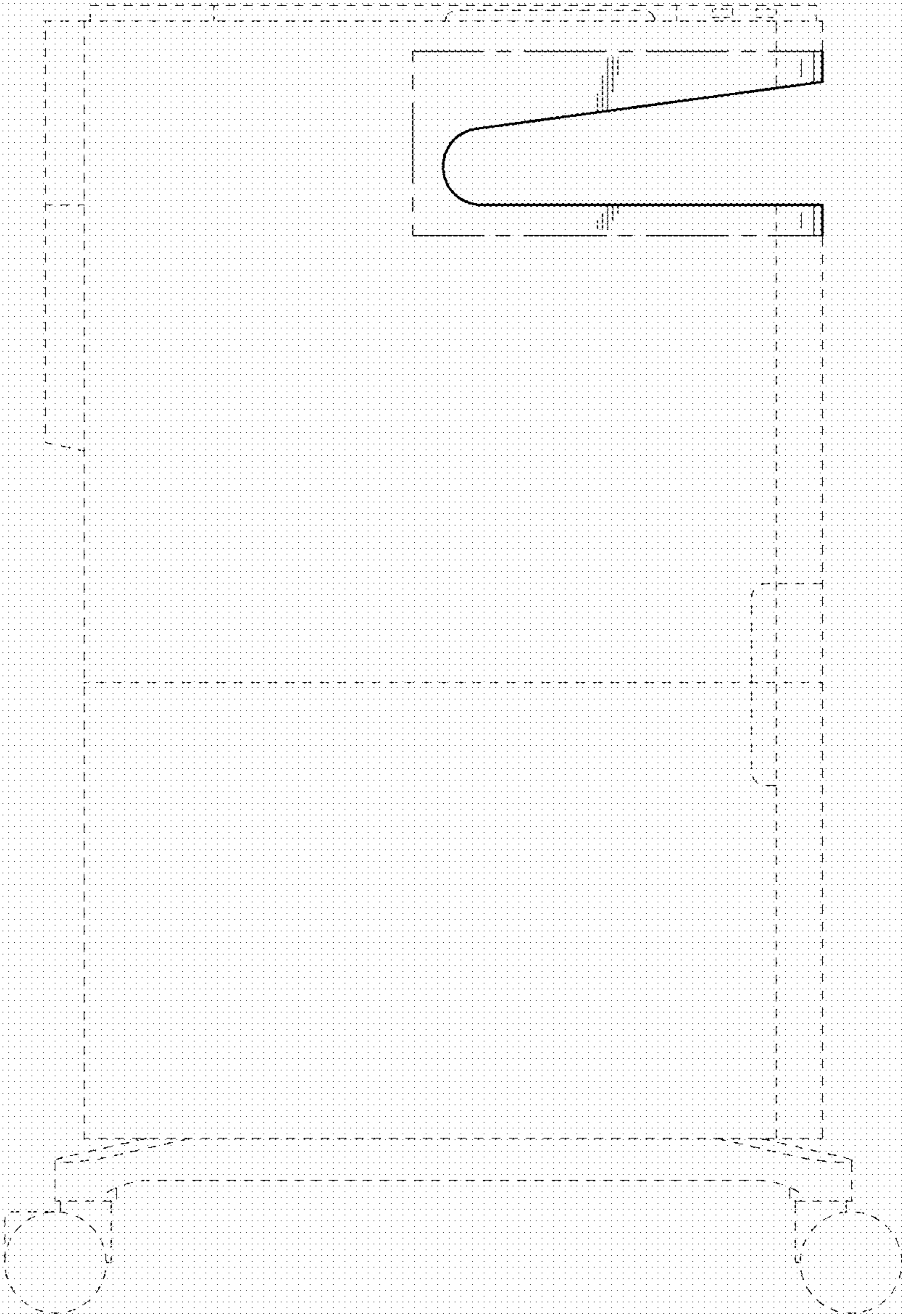


FIG.5

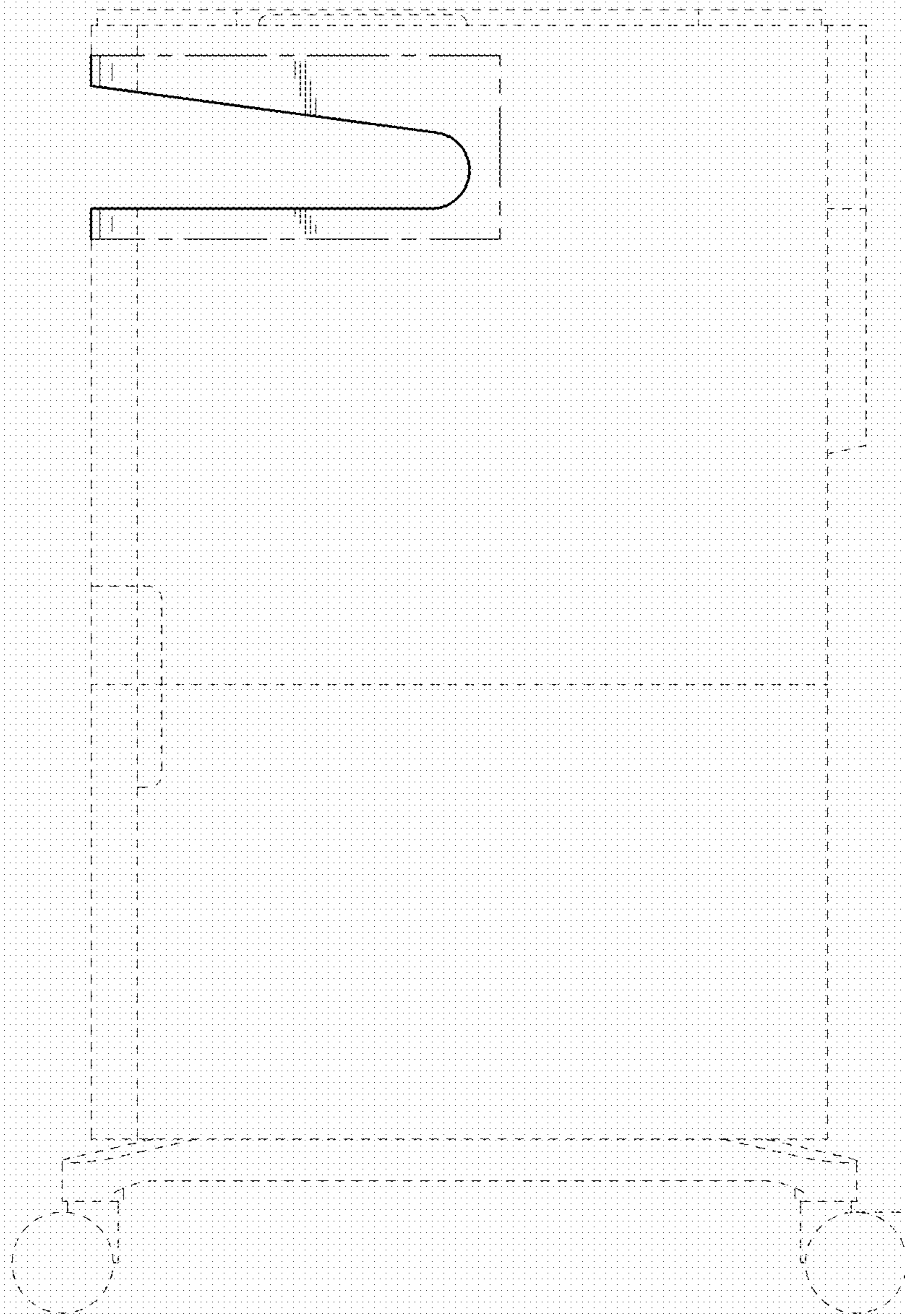


FIG.6

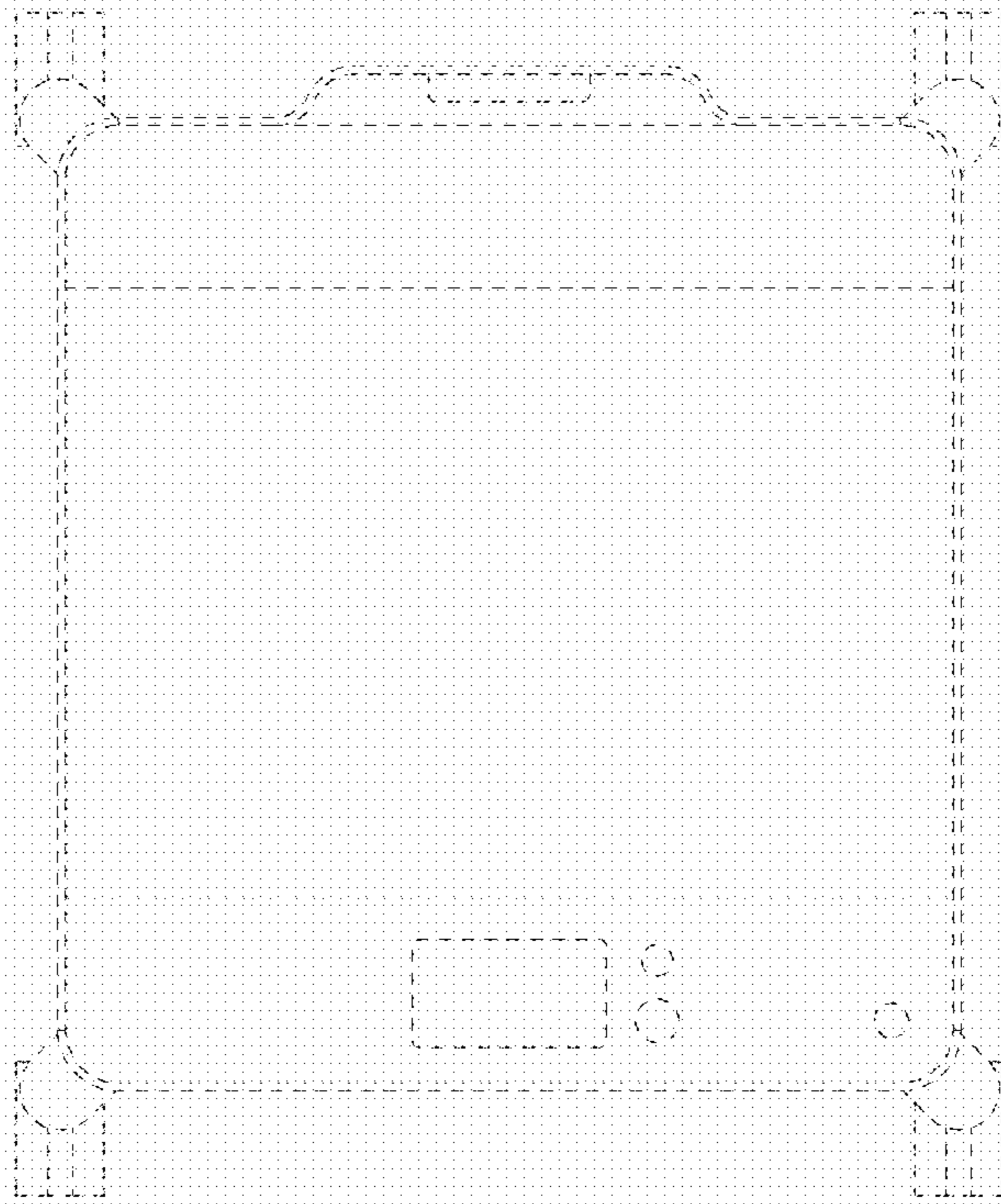


FIG.7

