

US00D763352S

(12) **United States Design Patent**  
**Kim et al.**

(10) **Patent No.:** **US D763,352 S**  
(45) **Date of Patent:** **\*\* Aug. 9, 2016**

(54) **DISPLAY DEVICE FOR MULTI-FUNCTION PRINTER**

(71) Applicant: **Samsung Electronics Co., Ltd.**,  
Suwon-si (KR)

(72) Inventors: **Kyong-Hwan Kim**, Seoul (KR); **Naoto Fukasawa**, Tokyo (JP); **Isogai Yoshitaka**, Seongnam-si (KR); **Min-Chul Kim**, Seoul (KR); **Seung-Wook Jeong**, Seoul (KR)

(73) Assignee: **Samsung Electronics Co., Ltd.**,  
Suwon-si (KR)

(\*\*) Term: **14 Years**

(21) Appl. No.: **29/516,403**

(22) Filed: **Feb. 2, 2015**

(30) **Foreign Application Priority Data**

Aug. 20, 2014 (KR) ..... 30-2014-0040564

(51) **LOC (10) Cl.** ..... **18-02**

(52) **U.S. Cl.**  
USPC ..... **D18/56**

(58) **Field of Classification Search**  
USPC ..... D18/53, 50, 54, 56, 59, 36, 38, 39, 40,  
D18/41, 45, 34.4, 34.5, 34.6; D14/336, 371,  
D14/374, 301, 307, 129, 130  
CPC .. G06K 15/12; G06K 15/14; H04N 1/00204;  
H04N 1/00249; H04N 1/00278; B41J 3/00;  
B41J 3/28; B41J 3/445; B41J 3/46  
See application file for complete search history.

(56) **References Cited**

**U.S. PATENT DOCUMENTS**

D450,082 S \* 11/2001 Kusanagi ..... D18/53  
D552,670 S \* 10/2007 Watanabe ..... D18/40  
D568,387 S \* 5/2008 Watanabe ..... D18/39

D577,060 S \* 9/2008 Isogai ..... D18/41  
D579,930 S \* 11/2008 Maskatia ..... D14/341  
D626,437 S \* 11/2010 Lee ..... D10/65  
D630,679 S \* 1/2011 Yoshioka ..... D18/50  
D639,805 S \* 6/2011 Song ..... D14/341  
D641,018 S \* 7/2011 Lee ..... D14/341

(Continued)

**FOREIGN PATENT DOCUMENTS**

CN 302619217 \* 10/2013  
JP D1471420 \* 6/2013

**OTHER PUBLICATIONS**

Samsung [brochure]. <URL: [http://www.samsung.com/global/printingmsp/pdf/\[Brochure\]Smart%20MultiXpress%20K4350%20K4300%20K4250%20Series.pdf](http://www.samsung.com/global/printingmsp/pdf/[Brochure]Smart%20MultiXpress%20K4350%20K4300%20K4250%20Series.pdf)>. Sep. 27, 2014. Samsung A3 Multifunction Smart MultiXpress K4250RX printer.\*

*Primary Examiner* — Bridget L Eland

*Assistant Examiner* — Lauren McVey

(74) *Attorney, Agent, or Firm* — NSIP Law

(57) **CLAIM**

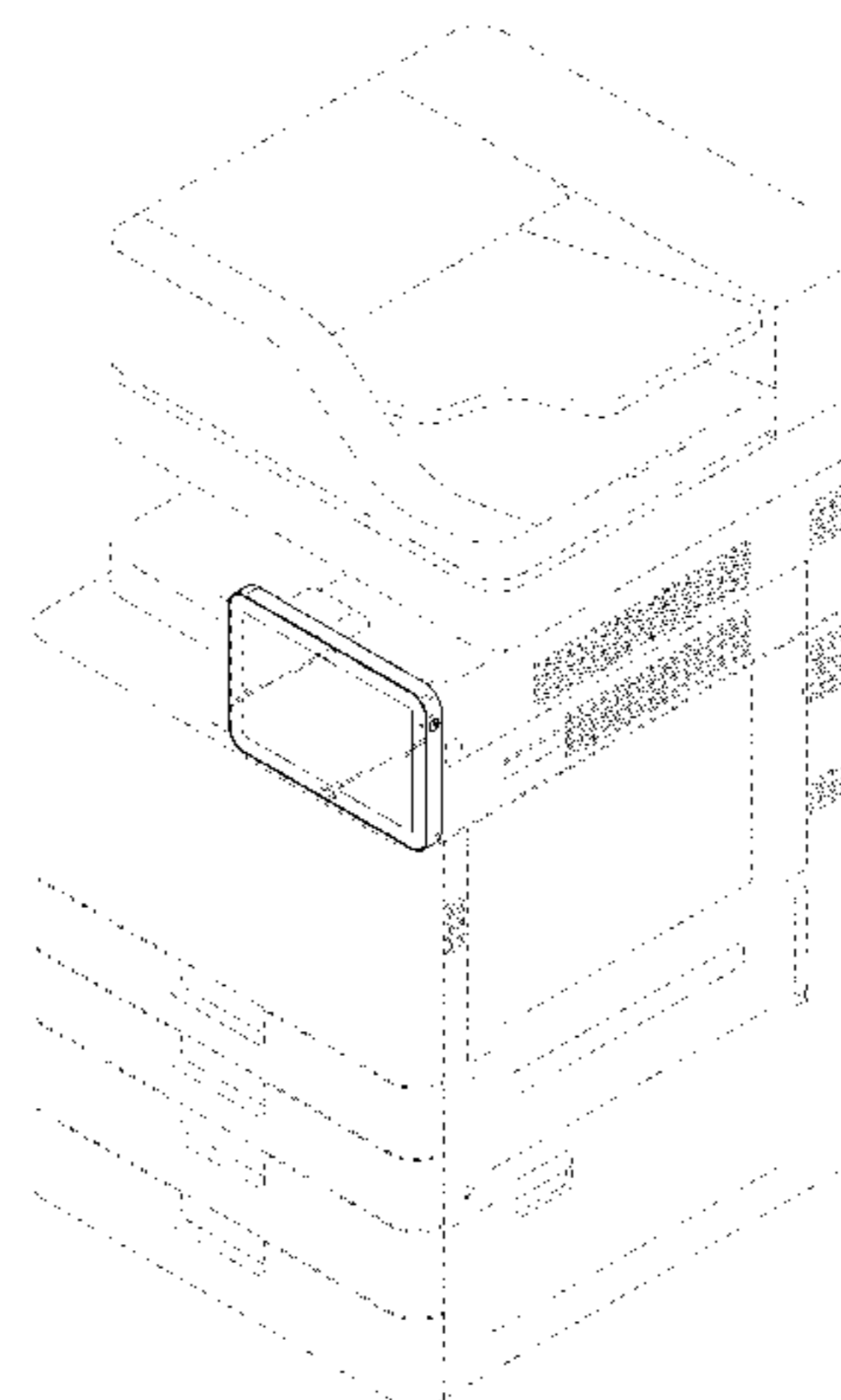
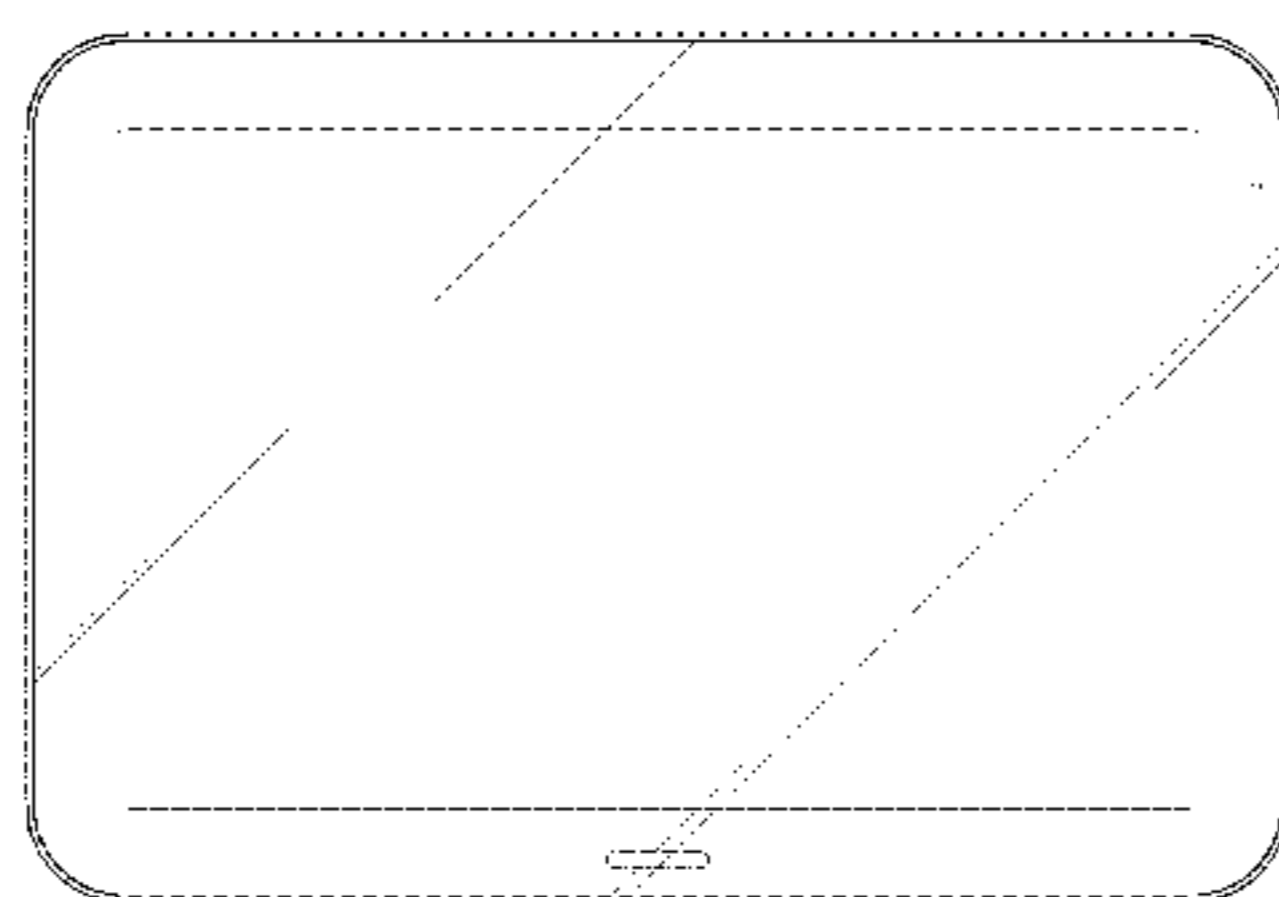
We claim the ornamental design for a display device for multi-function printer, as shown and described.

**DESCRIPTION**

FIG. 1 is a front perspective view of a display device for multi-function printer showing our new design;  
FIG. 2 is a front view thereof;  
FIG. 3 is a rear view thereof;  
FIG. 4 is a left-side view thereof;  
FIG. 5 is a right-side view thereof;  
FIG. 6 is a top view thereof;  
FIG. 7 is a bottom view thereof; and,  
FIG. 8 is another front perspective view thereof, shown in an environment.

The broken lines are directed to environment; the broken lines form no part of the claimed design.

**1 Claim, 4 Drawing Sheets**



(56)

**References Cited**

U.S. PATENT DOCUMENTS

D645,897 S \* 9/2011 Chuang ..... D18/50  
D645,898 S \* 9/2011 Stenzel ..... D18/53  
D664,540 S \* 7/2012 Kim ..... D14/341  
D664,954 S \* 8/2012 Kim ..... D14/341  
D667,396 S \* 9/2012 Koh ..... D14/341  
D686,277 S \* 7/2013 Gilbert ..... D18/55  
D689,481 S \* 9/2013 Song ..... D14/341

D691,996 S \* 10/2013 Ohshima ..... D14/341  
D693,343 S \* 11/2013 Haller ..... D14/374  
D694,817 S \* 12/2013 Adam ..... D18/19  
D697,065 S \* 1/2014 Kim ..... D14/138 AD  
D702,759 S \* 4/2014 Oda ..... D18/50  
D703,668 S \* 4/2014 Kim ..... D14/138 AD  
D707,676 S \* 6/2014 Azuma ..... D14/307  
D712,400 S \* 9/2014 Kim ..... D14/341  
D725,185 S \* 3/2015 Kim ..... D18/55  
D736,311 S \* 8/2015 Yamada ..... D18/50

\* cited by examiner

FIG.1

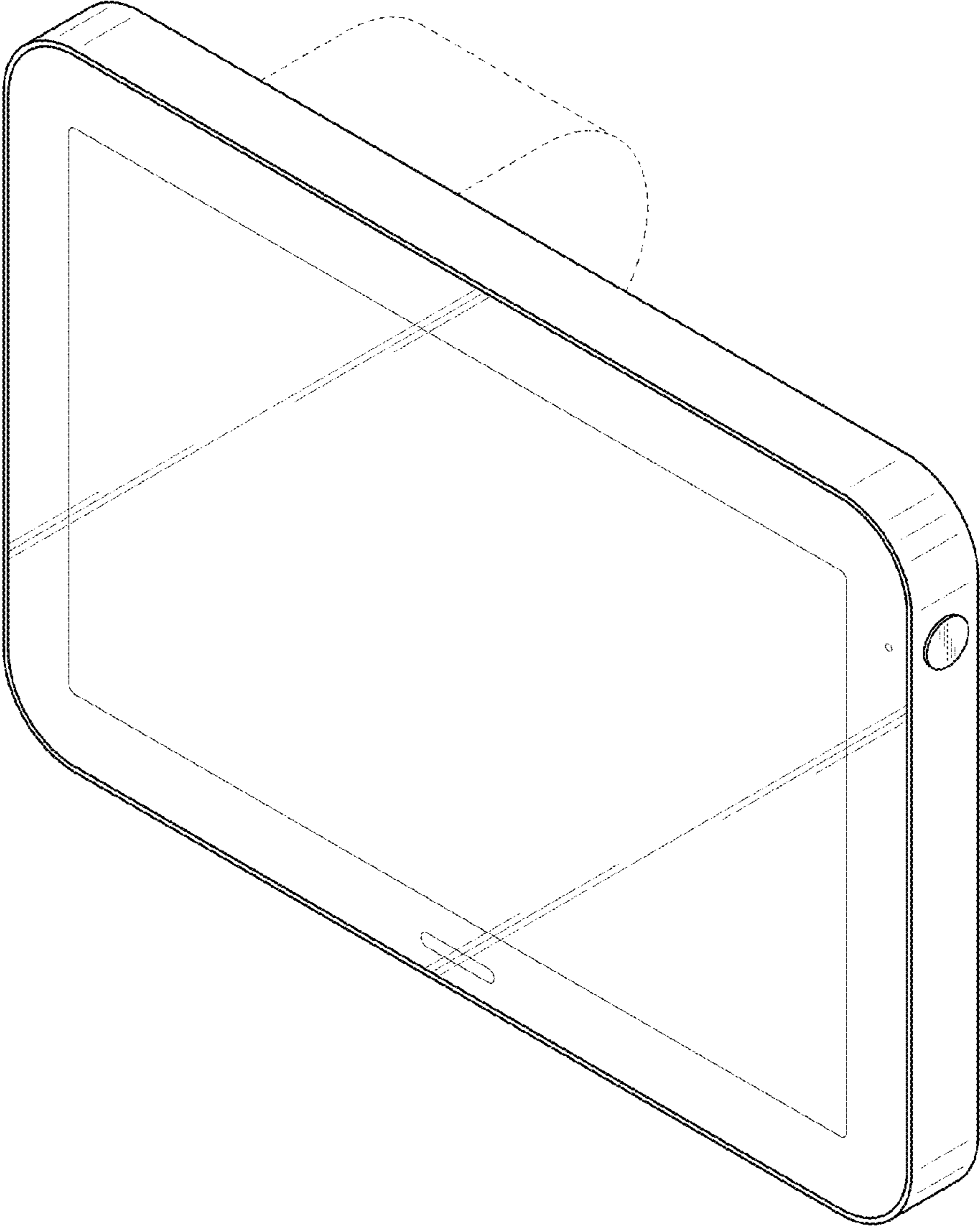


FIG.2

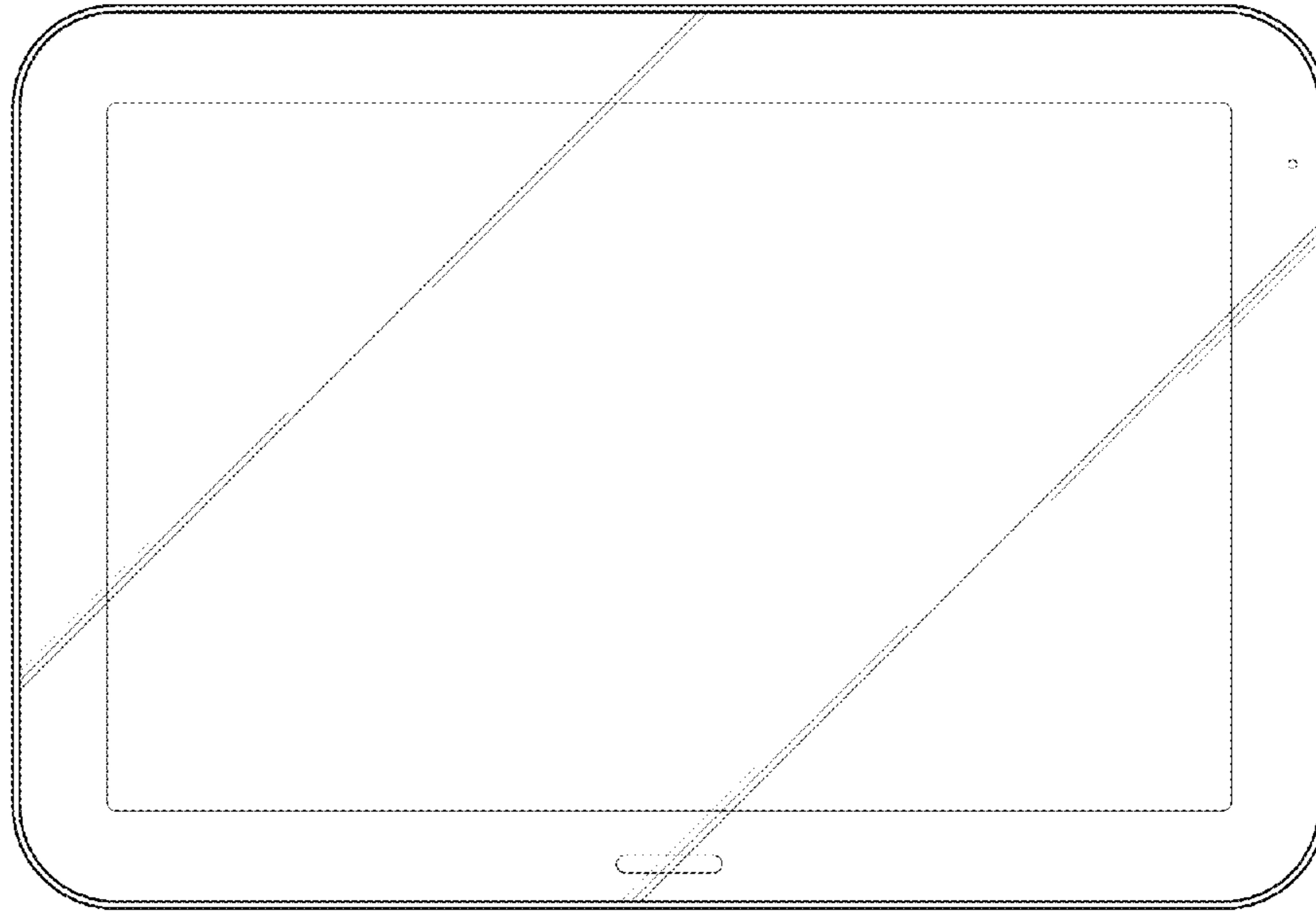


FIG.3

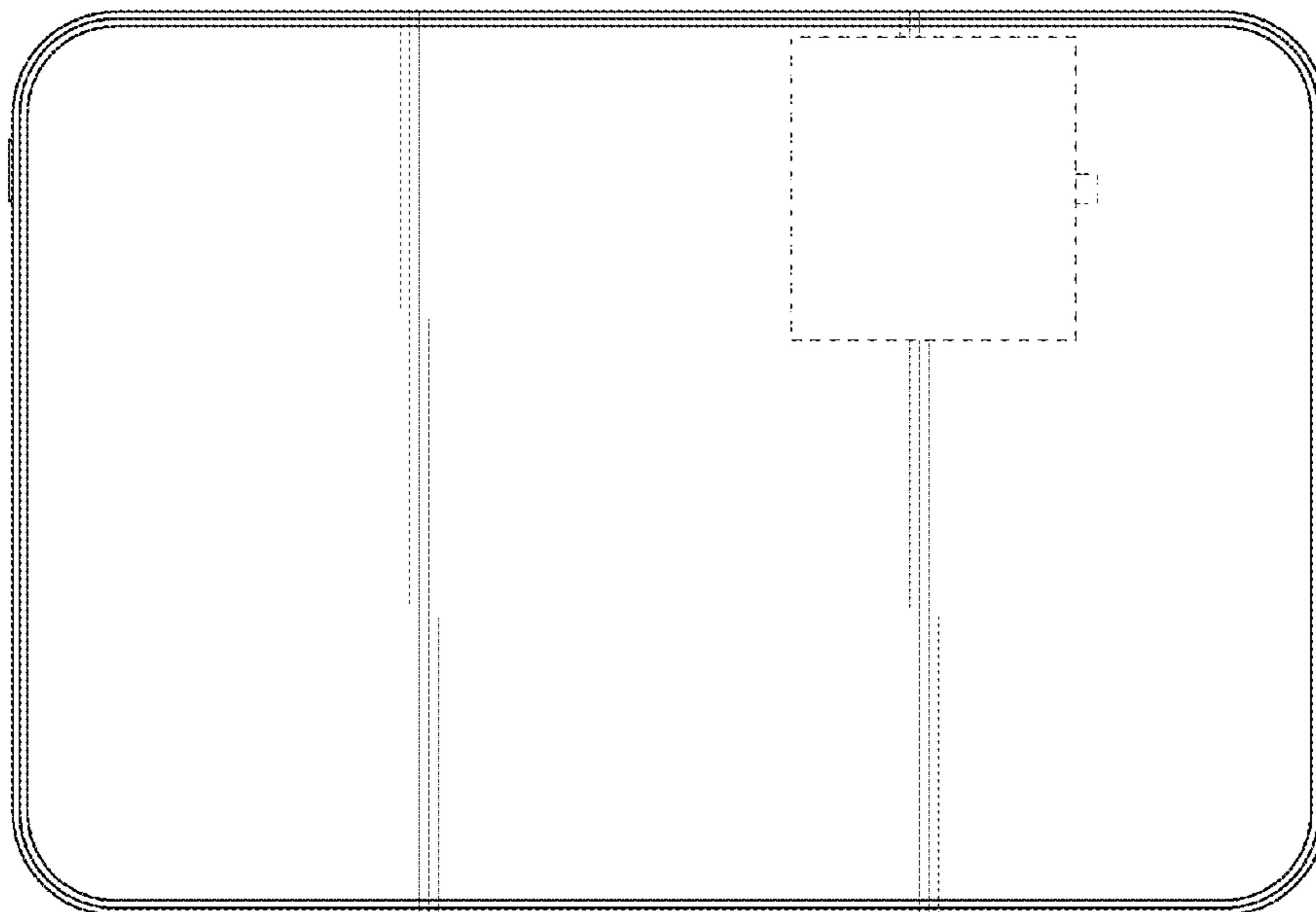


FIG.4

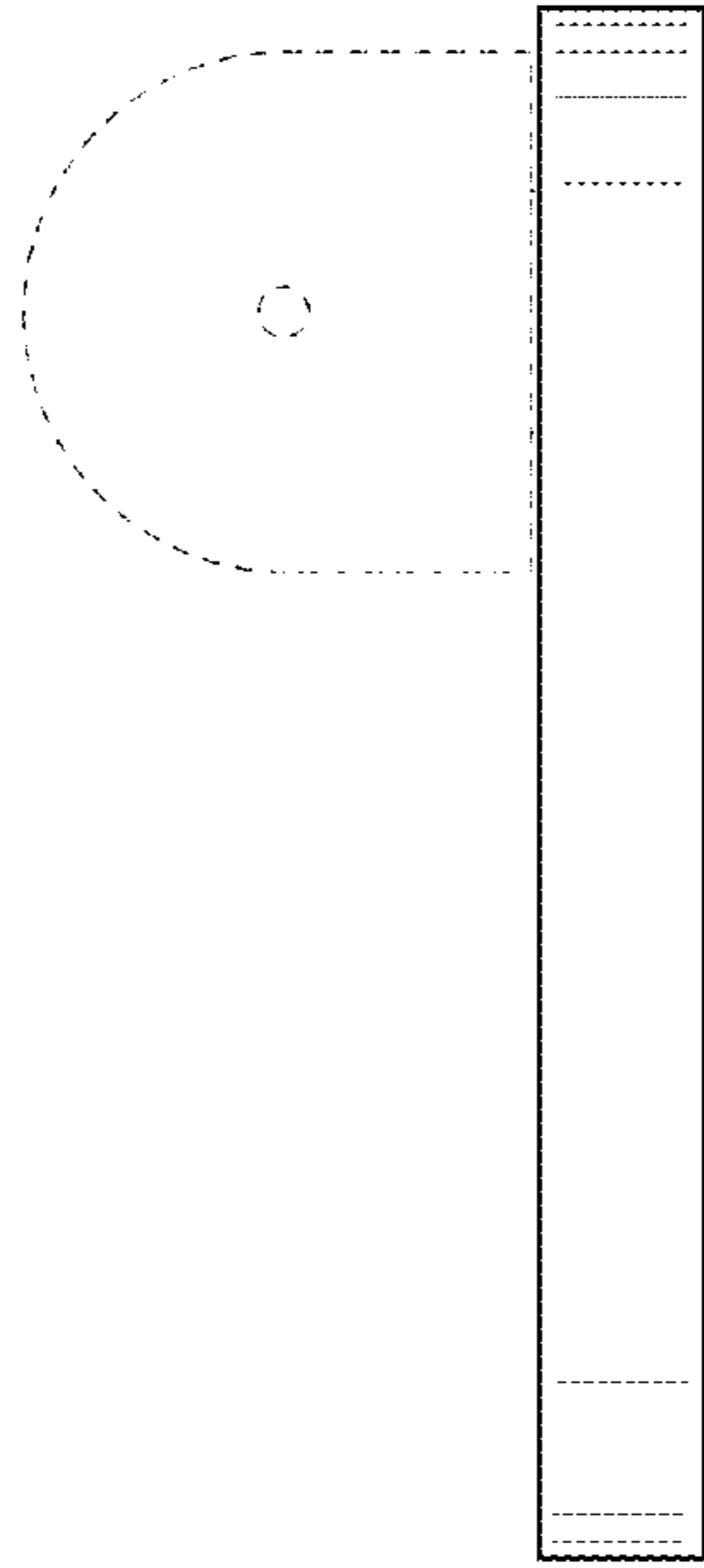


FIG.5

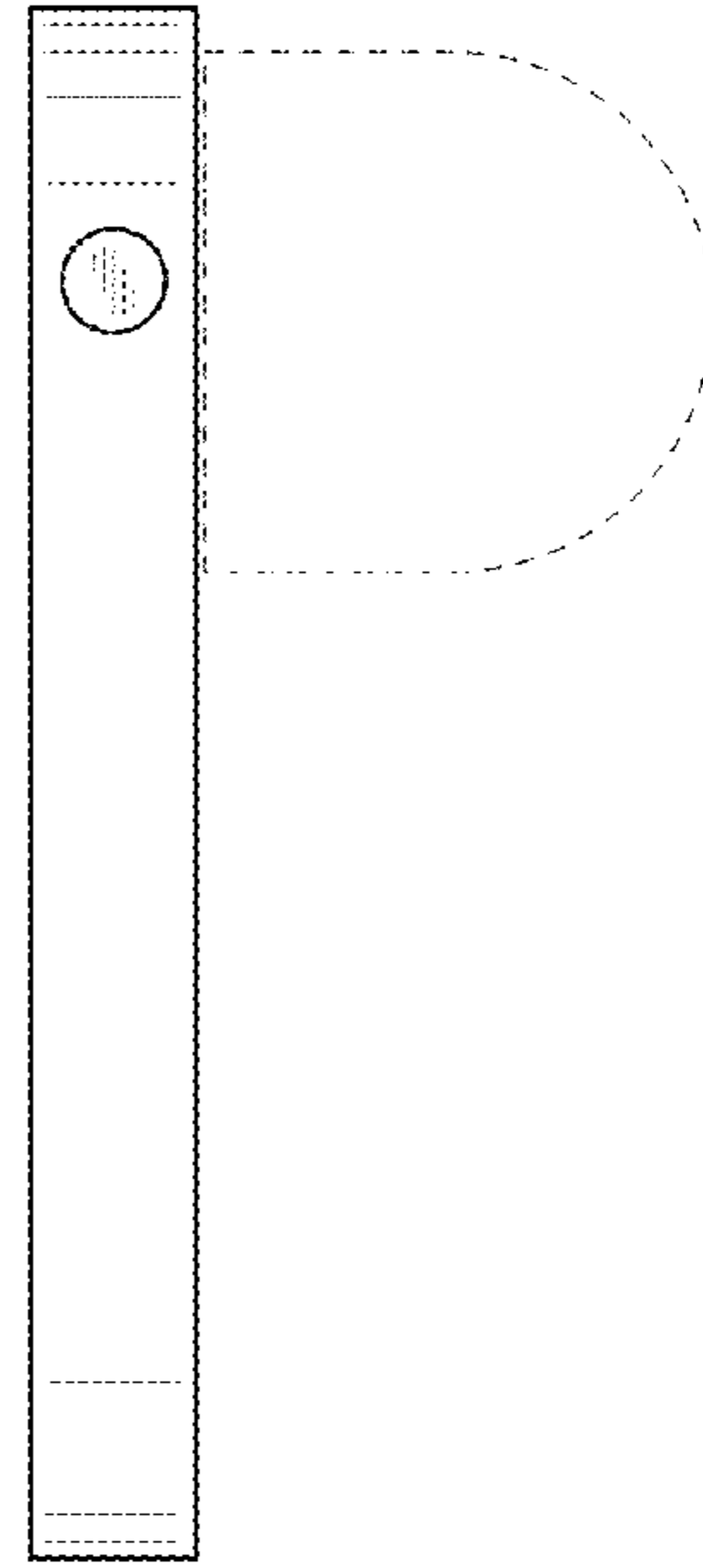


FIG.6

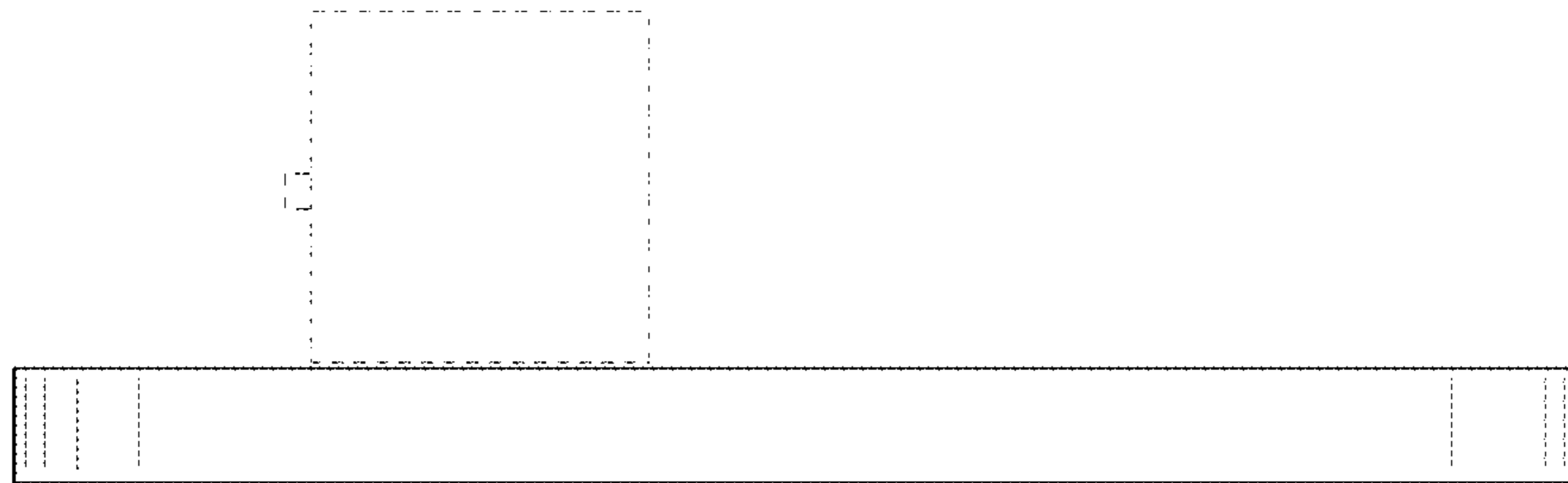


FIG.7

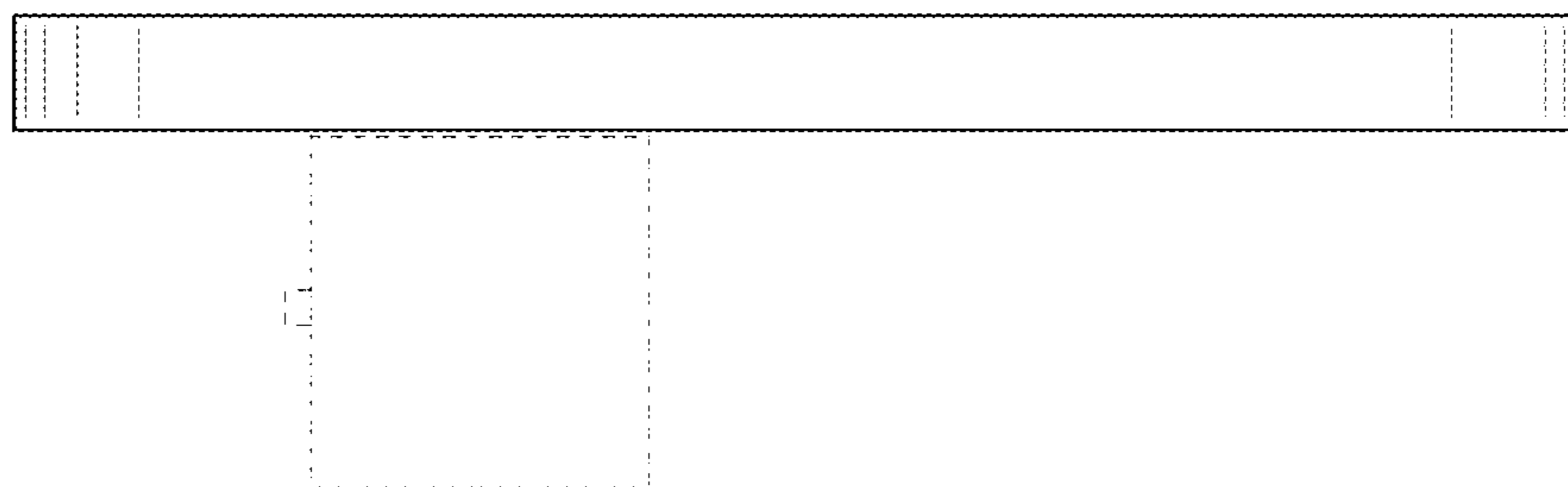


FIG.8

