



US00D763351S

(12) **United States Design Patent**
Lee et al.

(10) **Patent No.:** **US D763,351 S**
(45) **Date of Patent:** **** Aug. 9, 2016**

(54) **PRINTER**

(71) Applicant: **Samsung Electronics Co., Ltd.**,
Suwon-si (KR)
(72) Inventors: **Sang-In Lee**, Seongnam-si (KR);
Noriyuki Fujimura, Seoul (KR);
Seung-Wook Jeong, Seoul (KR);
Keiichi Minamide, Tokyo (JP); **Takeo**
Aoki, Tokyo (JP); **Sayuri Suzuki**, Tokyo
(JP); **Manabu Sasajima**, Tokyo (JP);
Won-Suk Chung, Seoul (KR);
Eung-Yul Lee, Seoul (KR)

(73) Assignee: **Samsung Electronics Co., Ltd.**,
Suwon-si (KR)

(**) Term: **14 Years**

(21) Appl. No.: **29/511,347**

(22) Filed: **Dec. 10, 2014**

(30) **Foreign Application Priority Data**

Jun. 13, 2014 (KR) 30-2014-0029016

(51) **LOC (10) Cl.** **18-02**

(52) **U.S. Cl.**
USPC **D18/56**

(58) **Field of Classification Search**
USPC D18/50, 54, 53, 56, 59, 36, 38, 39, 40,
D18/41, 45, 34.4, 34.5, 34.6; D14/301, 307,
D14/129, 130; D34/5-9; D99/28; D20/1, 10
CPC ... G06K 15/12; G06K 15/14; H04N 1/00204;
H04N 1/00249; H04N 1/00278; B41J 3/00;
B41J 3/28; B41J 3/445; B41J 3/46

See application file for complete search history.

(56) **References Cited**

U.S. PATENT DOCUMENTS

2,832,506 A * 4/1958 Hatcher G07F 11/045
194/244
D201,361 S * 6/1965 Wiener D14/303
D286,051 S * 10/1986 Nakano D18/53
4,806,036 A * 2/1989 Ward B41J 11/30
400/605
D302,682 S * 8/1989 Bloom D18/54

(Continued)

FOREIGN PATENT DOCUMENTS

CN 3334255 * 11/2003
CN 3480788 * 10/2005
EM 000329982-0012 * 6/2005

OTHER PUBLICATIONS

Coroflot of Stanislav Tsybulsky. <URL: <http://www.coroflot.com/stanislavtsybulsky/POSM-Sketches>>. Oct. 3, 2012. Interactive Display CAD.*

Primary Examiner — Bridget L Eland

Assistant Examiner — Lauren McVey

(74) *Attorney, Agent, or Firm* — NSIP Law

(57) **CLAIM**

We claim the ornamental design for a printer, as shown and described.

DESCRIPTION

FIG. 1 is a front perspective view of a printer showing our new design;

FIG. 2 is a front view thereof;

FIG. 3 is a rear view thereof;

FIG. 4 is a left-side view thereof;

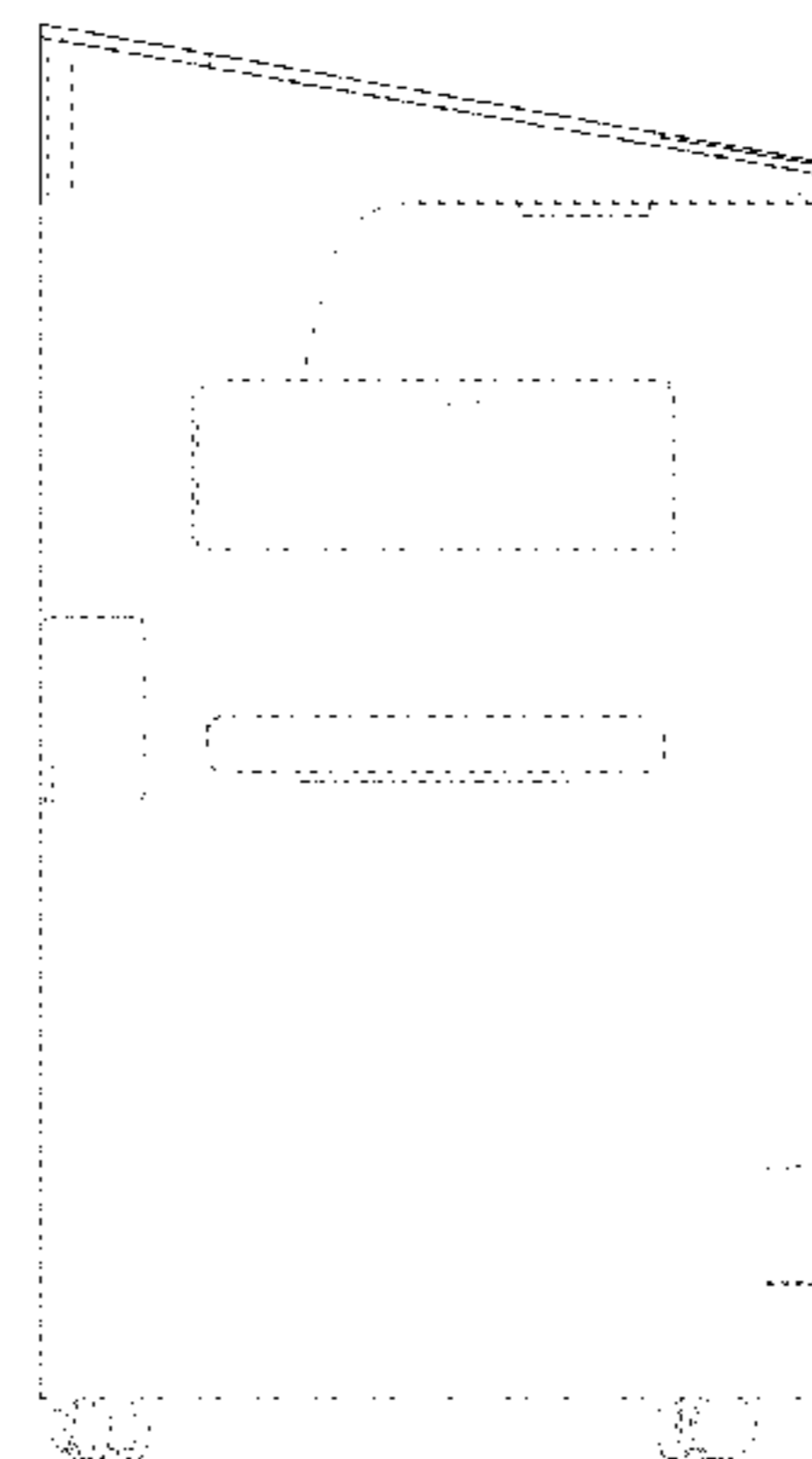
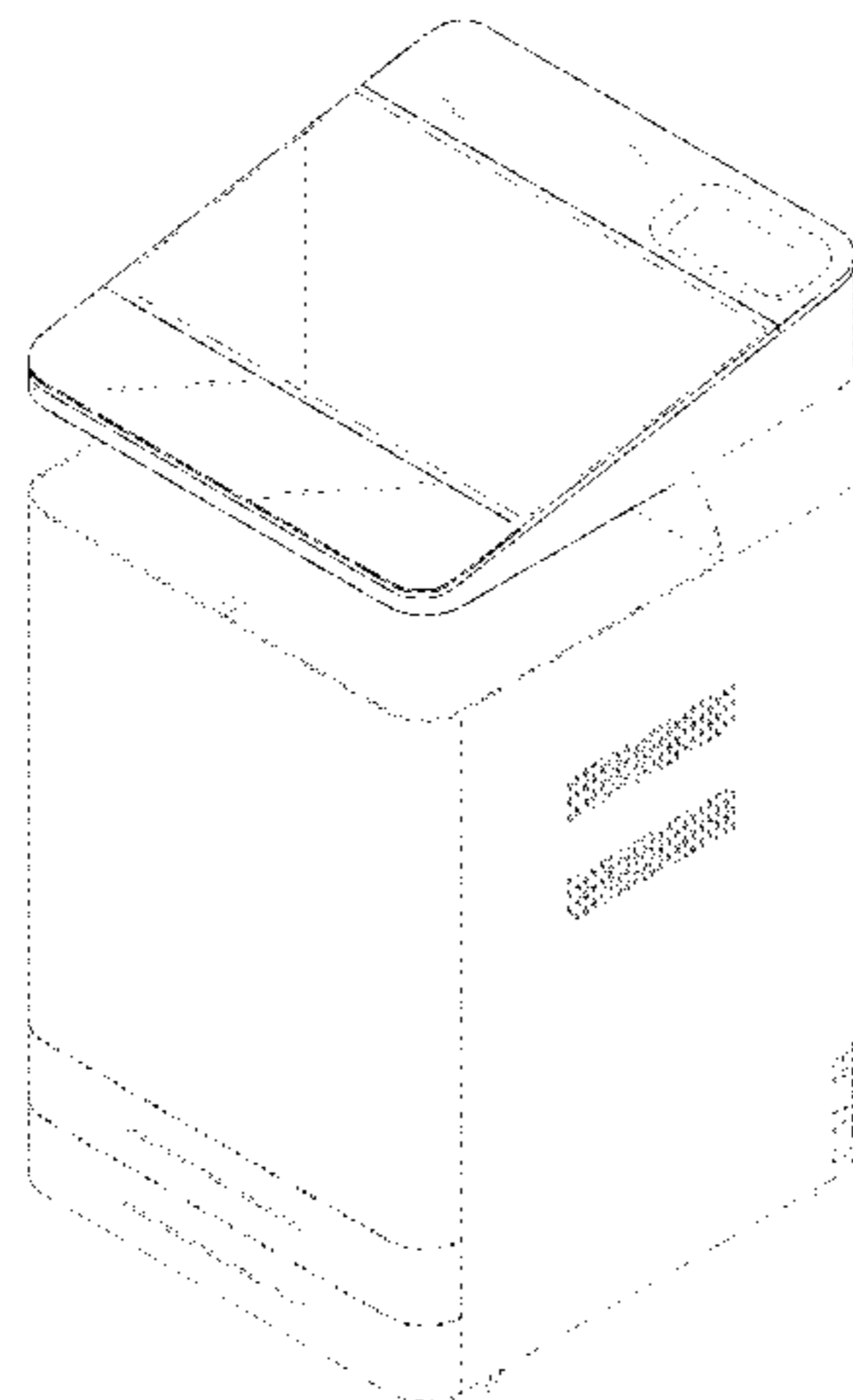
FIG. 5 is a right-side view thereof;

FIG. 6 is a top view thereof; and,

FIG. 7 is a bottom view thereof.

The dot dash broken lines and the broken lines that are immediately adjacent to the claim, and define unshaded regions, represent the bounds of the claim and are not included in the claim, while all other broken lines are directed to environment; the broken lines form no part of the claimed design.

1 Claim, 7 Drawing Sheets



US D763,351 S

Page 2

(56)

References Cited

U.S. PATENT DOCUMENTS

D315,360 S * 3/1991 Tokuda D18/54
D324,395 S * 3/1992 Dubson D18/54
D478,117 S * 8/2003 Funato D18/39

D545,374 S * 6/2007 Gollob D20/6
D570,132 S * 6/2008 Evans D6/663
D748,724 S * 2/2016 Chung D18/53
D750,704 S * 3/2016 Chung D18/50
D751,638 S * 3/2016 Chung D18/53

* cited by examiner

FIG. 1

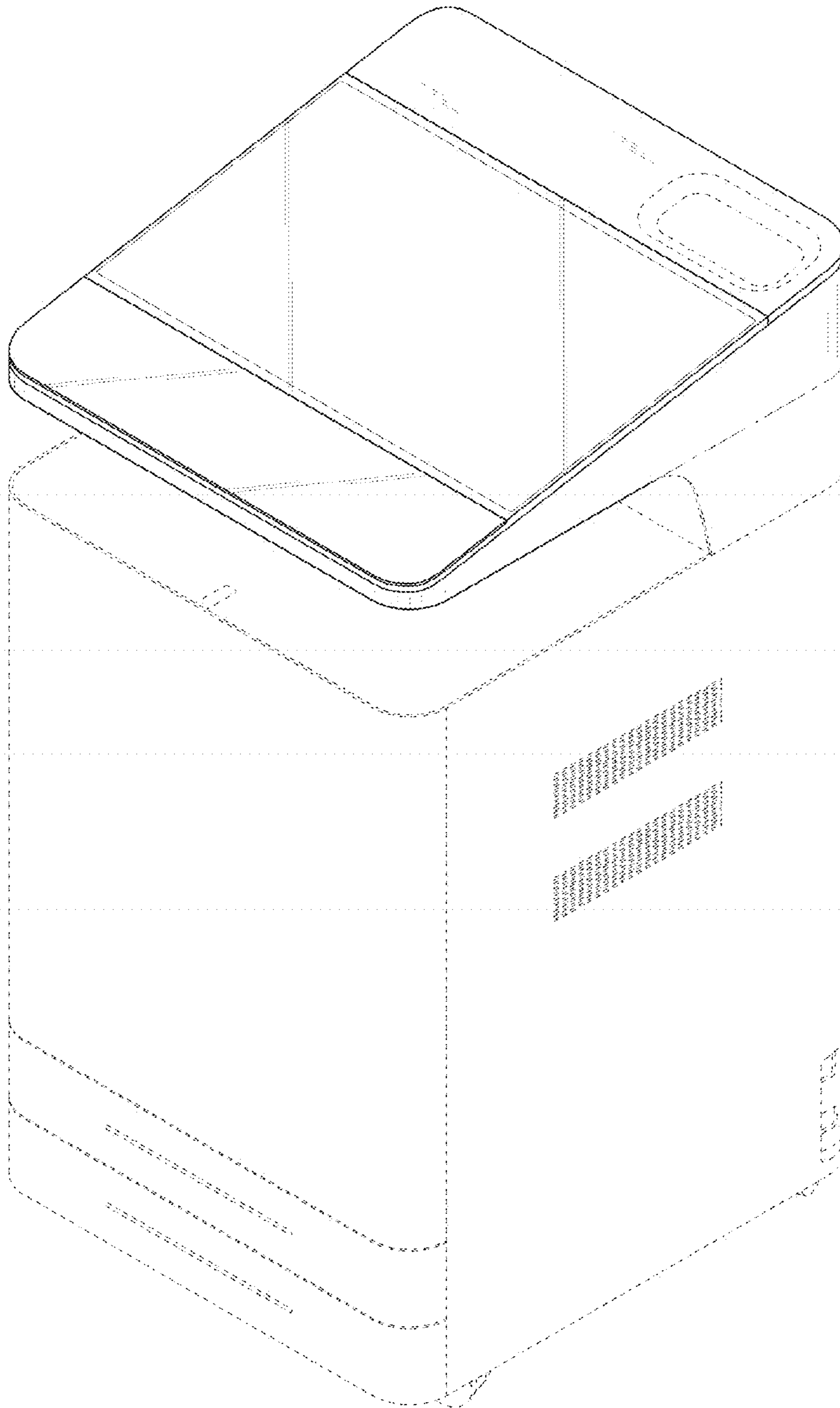


FIG.2

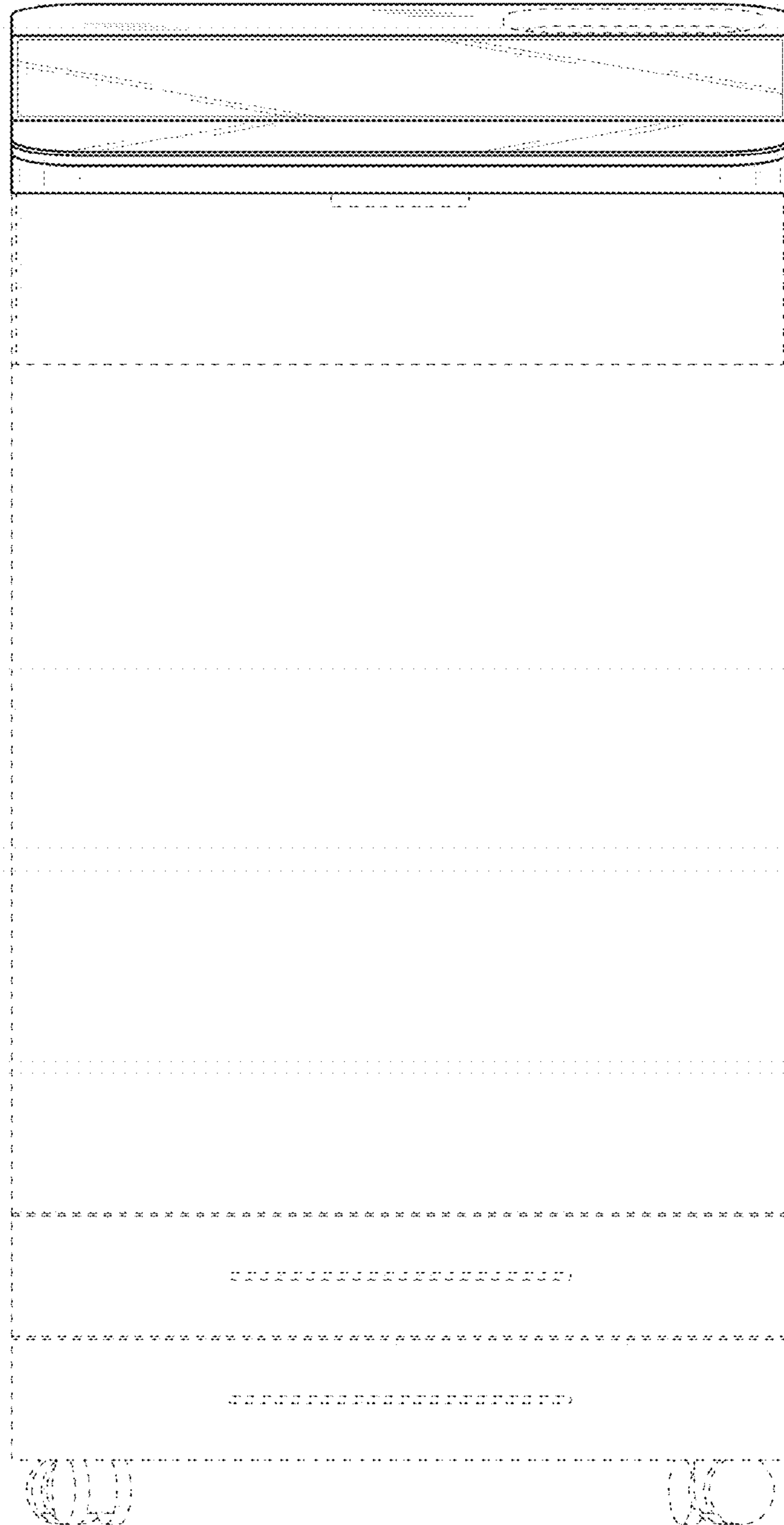


FIG.3

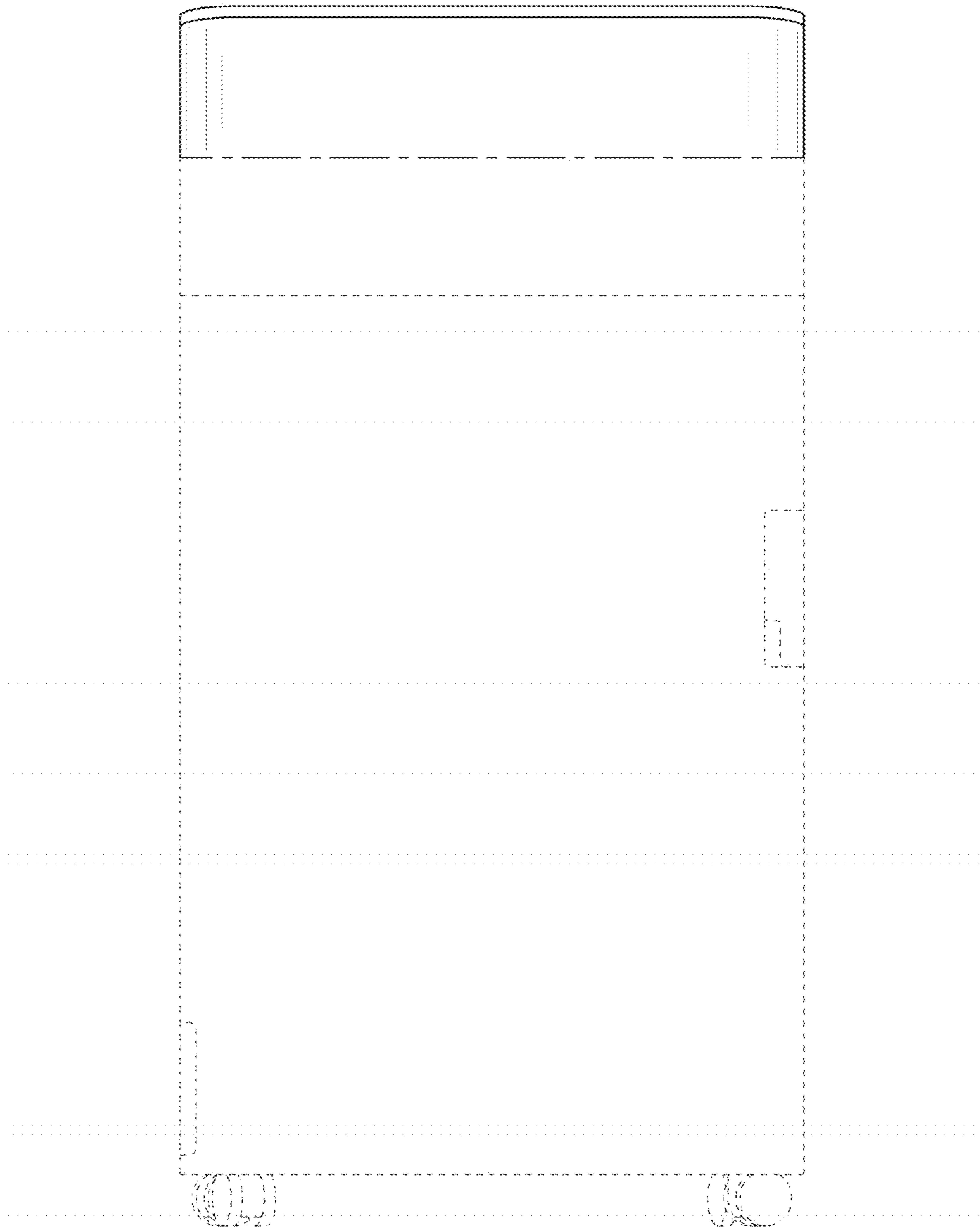


FIG. 4

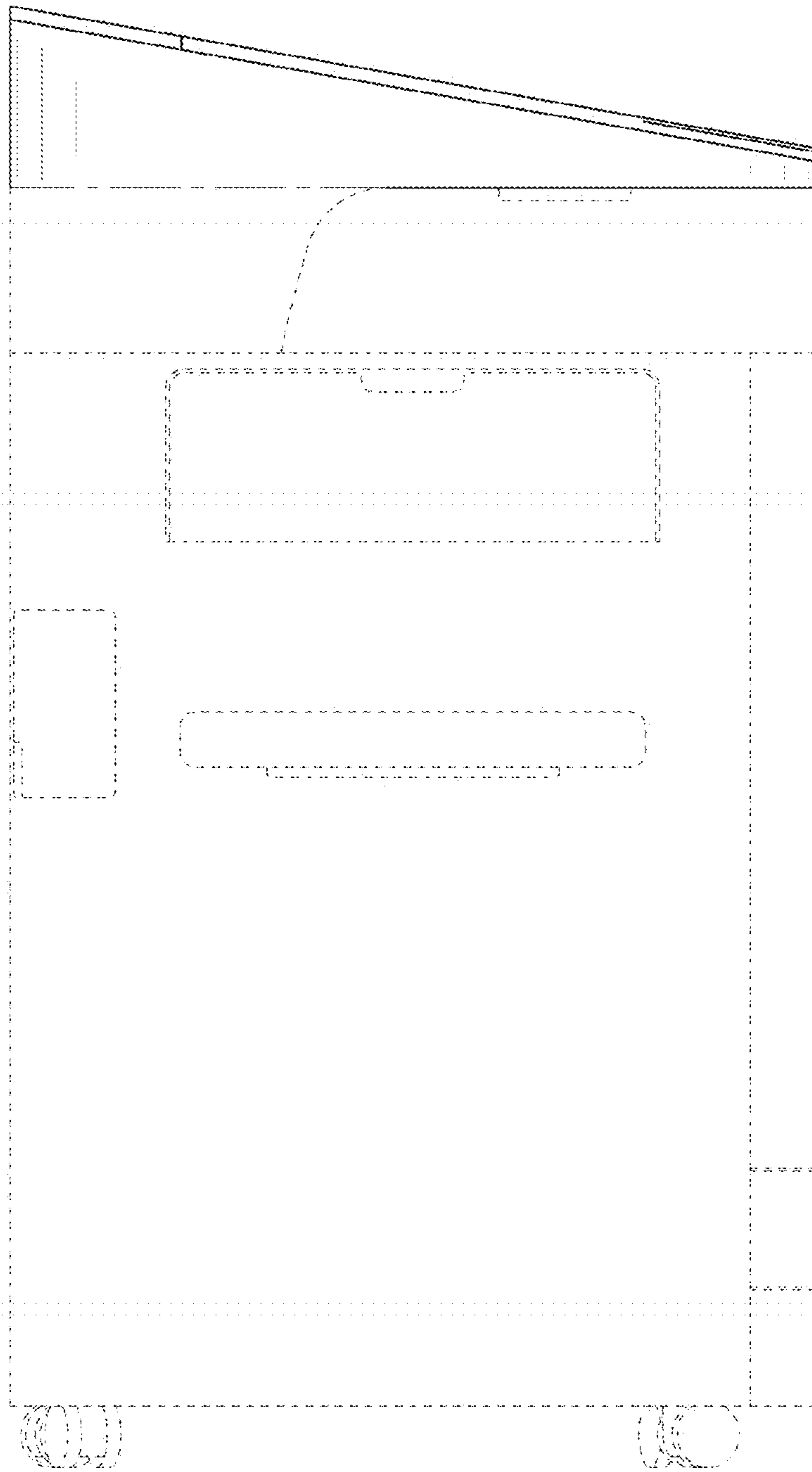


FIG. 5

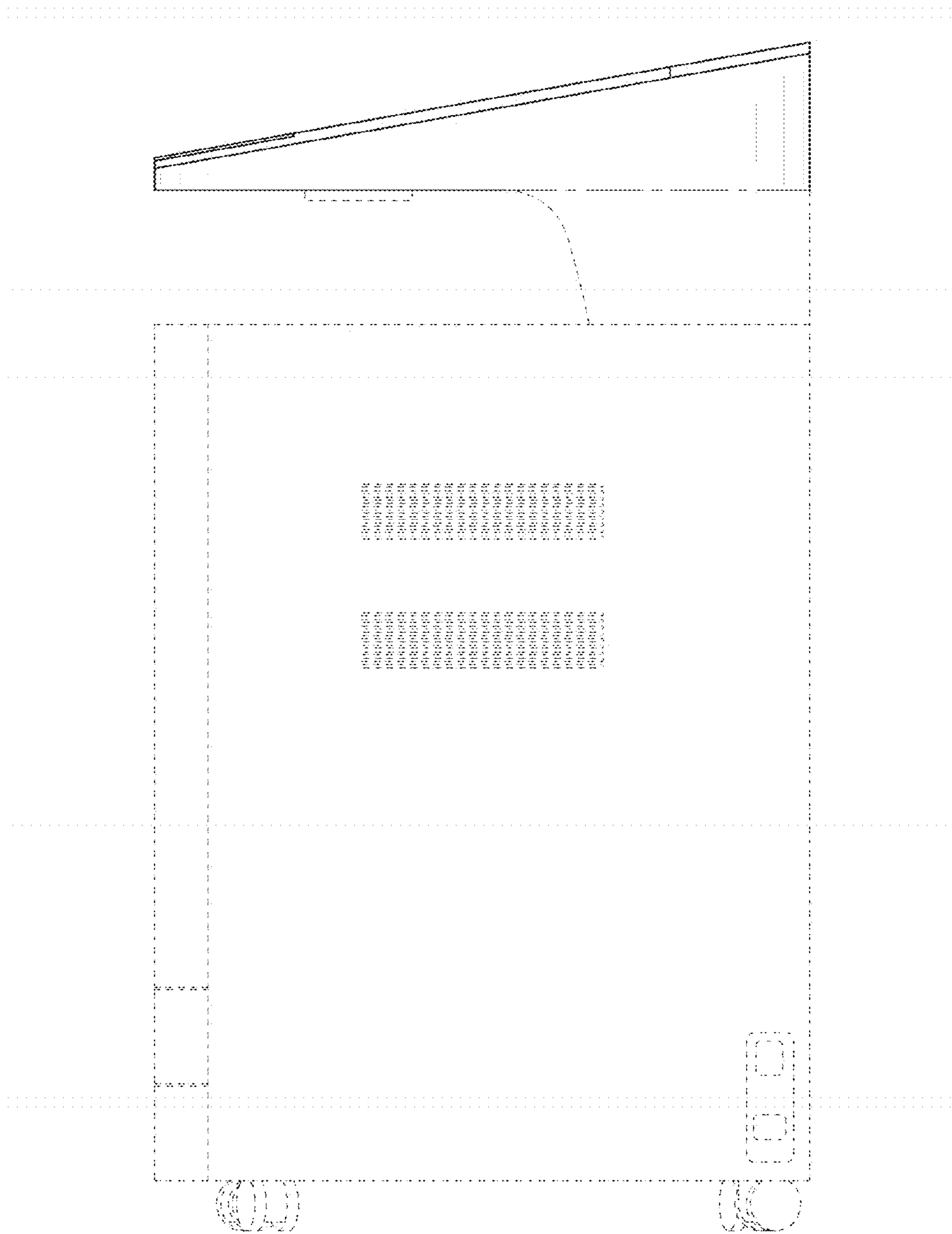


FIG.6

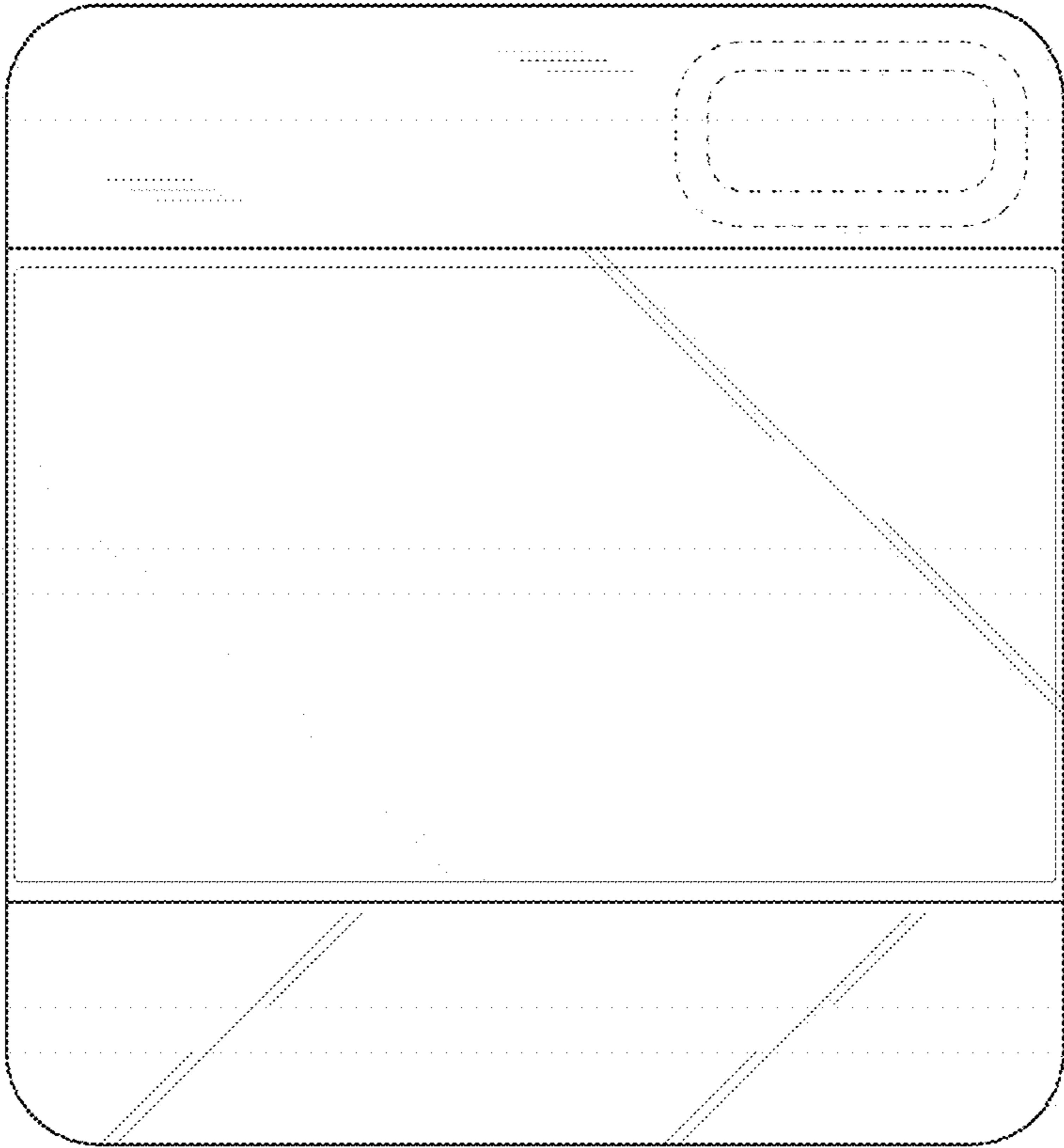


FIG.7

