



US00D763350S

(12) **United States Design Patent**  
**Whittall et al.**

(10) **Patent No.:** **US D763,350 S**  
(45) **Date of Patent:** **\*\* Aug. 9, 2016**

(54) **CARTRIDGE FOR PRINTER**  
(71) Applicant: **Esselte IPR AB**, Solna (SE)  
(72) Inventors: **Chris Whittall**, Los Gatos, CA (US);  
**Ariel D. Turgel**, San Francisco, CA (US); **Zachary G. Stephanchick**,  
Fridley, MN (US); **Matthew M. Taylor**,  
Mountain View, CA (US); **Robert A. Riccomini**,  
Saratoga, CA (US); **J. G. Goldberg**, Menlo Park, CA (US)

(73) Assignee: **Esselte IPR AB** (SE)

(\*\*) Term: **14 Years**

(21) Appl. No.: **29/490,332**

(22) Filed: **May 8, 2014**

(51) **LOC (10) Cl.** ..... **18-02**

(52) **U.S. Cl.**  
USPC ..... **D18/56**

(58) **Field of Classification Search**  
USPC ..... D18/12, 18, 40, 43-44, 56; 347/84-87;  
360/132, 134; 400/191-196, 207-208,  
400/208.1, 235.1, 242, 247, 231, 613;  
D14/474  
CPC ..... B41J 17/28; B41J 17/30; B41J 17/32;  
B41J 21/00; B41J 35/28; B41J 11/44; B41J  
31/00; B41J 32/00; B41J 33/14; B41J 35/00;  
B41J 35/22; B41J 29/13; B41J 2/45; B41J  
2/175; B41J 2/17503; B41J 2/17513; B41J  
3/4075; G03B 27/00; G03B 27/58; G03G  
15/65; G11B 23/08735

See application file for complete search history.

(56) **References Cited**

**U.S. PATENT DOCUMENTS**

D216,281 S \* 12/1969 Moyroud ..... D18/43  
4,239,404 A 12/1980 DeFilipps et al.  
4,439,257 A 3/1984 Sato et al.

4,535,463 A 8/1985 Ito et al.  
4,591,404 A 5/1986 Hamisch, Jr.  
4,623,418 A 11/1986 Gombrich et al.  
4,690,344 A 9/1987 Yokota  
4,712,929 A 12/1987 Kitaoka  
4,718,784 A 1/1988 Drisko  
4,765,765 A 8/1988 Futakata  
4,797,018 A 1/1989 Hofmann et al.  
4,807,177 A 2/1989 Ward

(Continued)

**FOREIGN PATENT DOCUMENTS**

EM 0297567 A2 1/1989  
EM 1066969 A2 1/2001

(Continued)

**OTHER PUBLICATIONS**

U.S. Appl. No. 29/490,326, Printer, filed May 8, 2014.

(Continued)

*Primary Examiner* — Cathy Anne MacCormac

(74) *Attorney, Agent, or Firm* — Goodwin Procter LLP

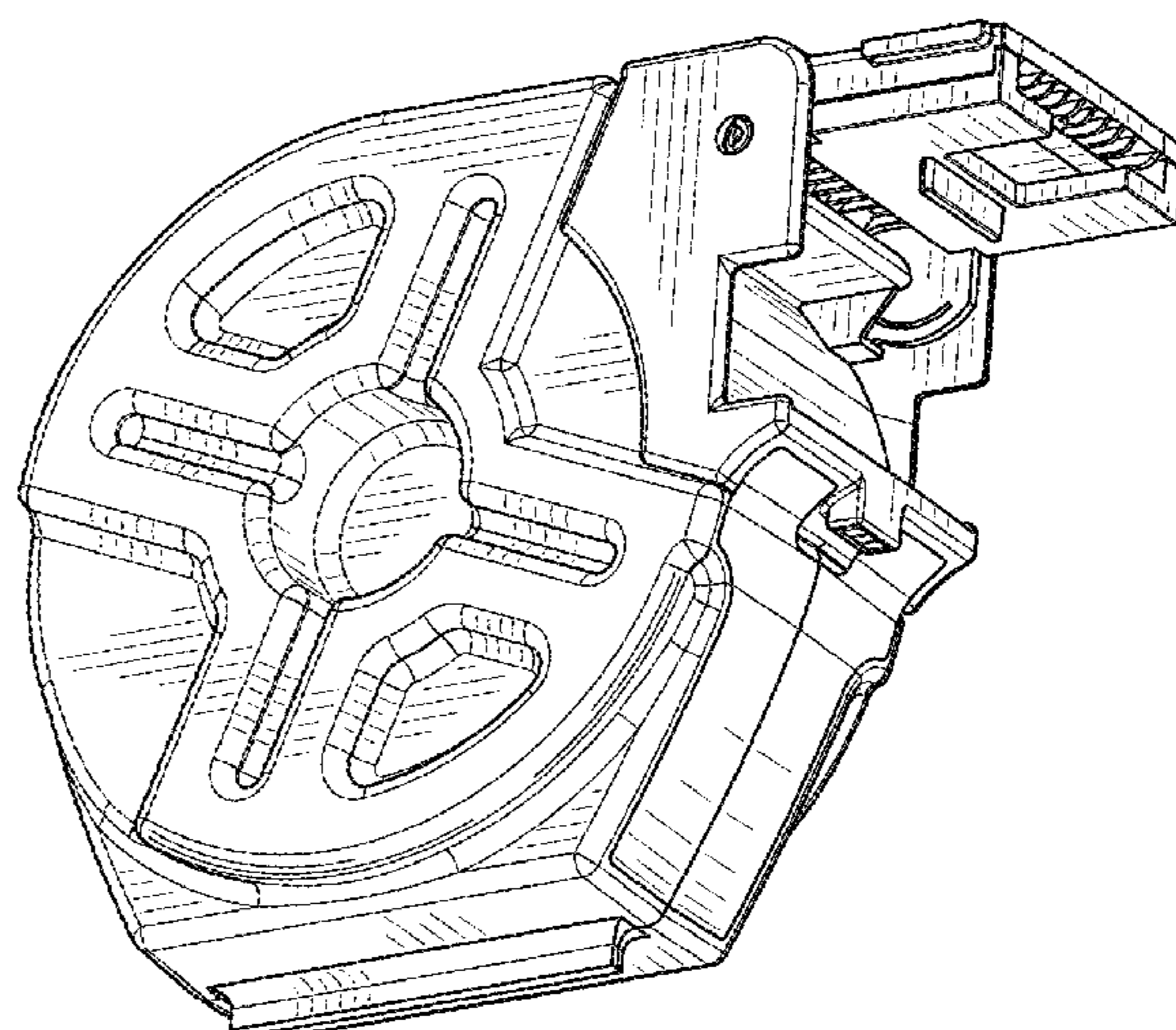
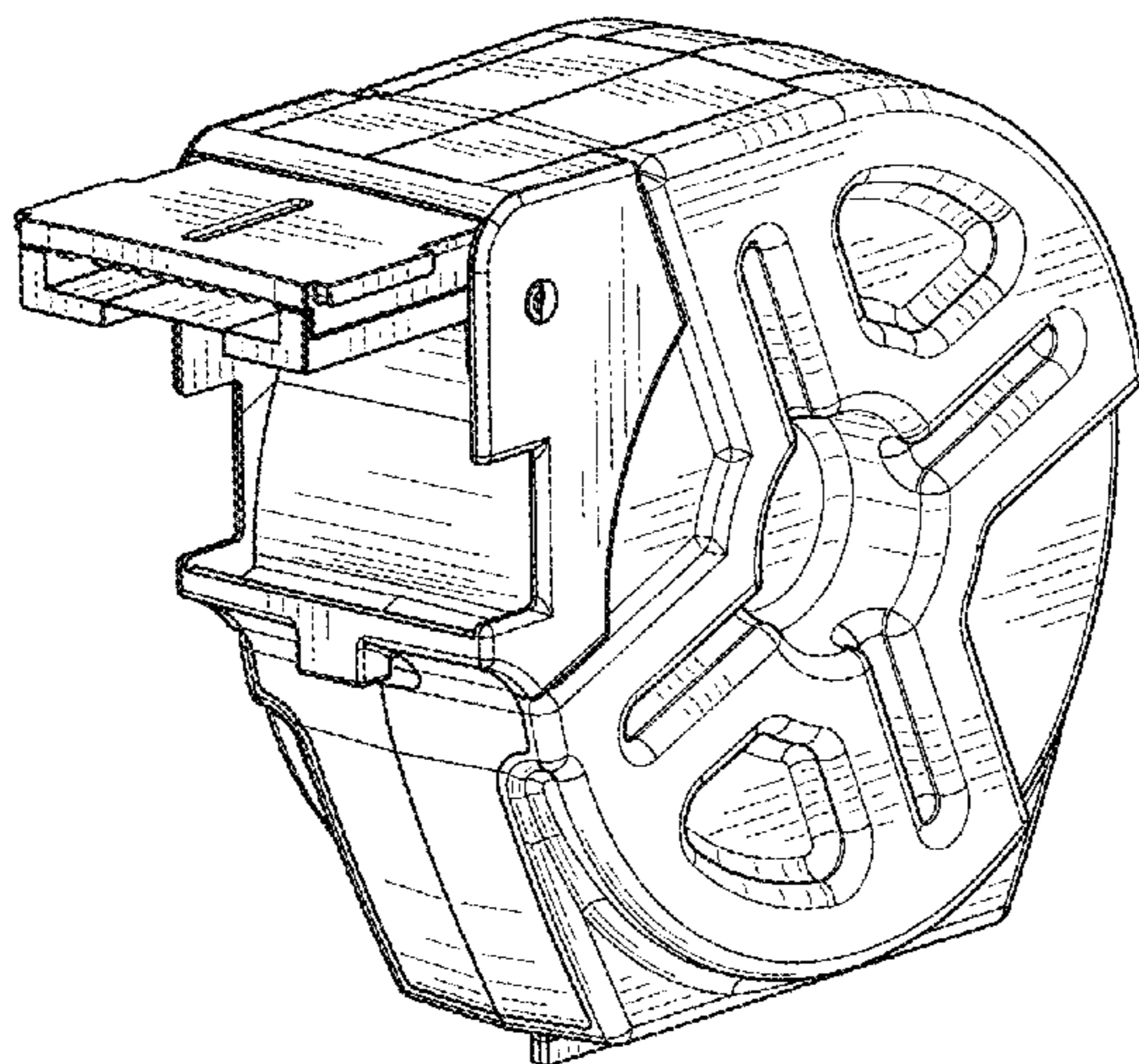
(57) **CLAIM**

The ornamental design for a cartridge for printer, as shown and described.

**DESCRIPTION**

FIG. 1 is a top, front and right side isometric view of a cartridge for a printer.  
FIG. 2 is a bottom, front and left side isometric view thereof.  
FIG. 3 is a front view thereof.  
FIG. 4 is a rear view thereof.  
FIG. 5 is a top view thereof.  
FIG. 6 is a bottom view thereof.  
FIG. 7 is a right side view thereof; and,  
FIG. 8 is a left side view thereof.

**1 Claim, 4 Drawing Sheets**



(56)

References Cited

U.S. PATENT DOCUMENTS

4,823,953 A 4/1989 Anderson et al.  
 4,838,713 A 6/1989 Kunimitsu et al.  
 4,911,566 A 3/1990 Imaseki et al.  
 4,918,464 A 4/1990 Isshiki  
 4,937,628 A \* 6/1990 Cipolla ..... G03G 15/0868  
 D18/43  
 4,994,853 A 2/1991 Fukuchi et al.  
 5,014,073 A 5/1991 Sone et al.  
 5,025,397 A 6/1991 Suzuki  
 5,078,523 A 1/1992 McGourty et al.  
 5,087,979 A 2/1992 Schaertel  
 5,159,681 A 10/1992 Beck et al.  
 5,169,249 A 12/1992 Kitabata  
 5,176,458 A 1/1993 Wirth  
 5,181,787 A 1/1993 Hosomi  
 5,247,325 A \* 9/1993 Takahashi ..... G03B 17/30  
 D18/43  
 5,253,334 A 10/1993 Kimura et al.  
 5,265,966 A 11/1993 Schmidt  
 5,266,972 A 11/1993 Gotho et al.  
 5,269,612 A \* 12/1993 Shimoha ..... B41J 17/32  
 400/207  
 5,276,461 A 1/1994 Saito  
 5,297,876 A 3/1994 Imagawa  
 5,314,256 A 5/1994 Niwa  
 5,318,370 A 6/1994 Nehowig  
 5,322,375 A 6/1994 Niwa et al.  
 5,322,378 A 6/1994 Ikeda et al.  
 5,344,247 A 9/1994 Sakuragi et al.  
 5,362,008 A 11/1994 Nagel et al.  
 5,399,030 A 3/1995 Niwa et al.  
 5,424,757 A 6/1995 Thom  
 5,483,623 A 1/1996 Nagashima  
 5,488,223 A 1/1996 Austin et al.  
 5,489,971 A 2/1996 Nam  
 5,492,420 A 2/1996 Nunokawa et al.  
 5,521,627 A 5/1996 Keung et al.  
 5,559,934 A 9/1996 Ogura et al.  
 5,585,941 A 12/1996 Maemura  
 5,598,279 A 1/1997 Ishii et al.  
 5,605,404 A 2/1997 Nunokawa et al.  
 5,621,864 A 4/1997 Benade et al.  
 5,643,395 A 7/1997 Hinton  
 5,658,083 A 8/1997 Day et al.  
 5,677,999 A 10/1997 Hidaka et al.  
 5,680,223 A 10/1997 Cooper et al.  
 5,715,379 A 2/1998 Pavlovic et al.  
 5,721,813 A 2/1998 Leinhos  
 5,731,879 A 3/1998 Maniwa et al.  
 5,758,039 A 5/1998 Shibata et al.  
 5,760,814 A 6/1998 Kang  
 5,806,993 A 9/1998 Petterutti et al.  
 5,816,717 A 10/1998 Beadman et al.  
 5,823,689 A 10/1998 Nehowig et al.  
 5,823,693 A 10/1998 Henderson et al.  
 5,826,995 A 10/1998 Day et al.  
 5,864,652 A 1/1999 Murahashi  
 5,892,892 A 4/1999 Popat et al.  
 5,895,157 A 4/1999 Morimura et al.  
 5,911,380 A 6/1999 Shiba  
 5,918,898 A 7/1999 Wallner et al.  
 5,918,989 A 7/1999 Stout, Jr. et al.  
 5,995,774 A 11/1999 Applegate et al.  
 6,016,386 A 1/2000 Nosaki et al.  
 6,059,469 A 5/2000 Hirumi  
 6,089,765 A 7/2000 Mori  
 6,106,170 A 8/2000 Watanabe et al.  
 6,152,623 A 11/2000 Palmer et al.  
 6,271,989 B1 8/2001 Tannert  
 6,281,989 B1 8/2001 Tomida  
 6,322,067 B1 11/2001 Fujii et al.  
 6,364,552 B1 4/2002 Nehowig et al.  
 6,367,992 B1 4/2002 Aruga et al.  
 6,425,700 B1 \* 7/2002 Silverbrook ..... B26D 1/205  
 400/613

D466,150 S \* 11/2002 Matsumoto ..... D18/56  
 6,503,005 B1 1/2003 Cockerill et al.  
 6,565,181 B2 \* 5/2003 Silverbrook ..... B41J 2/155  
 347/86  
 6,609,844 B1 8/2003 Petteruti et al.  
 D481,414 S \* 10/2003 Milton ..... D18/18  
 6,702,417 B2 \* 3/2004 Silverbrook ..... B41J 2/14427  
 347/86  
 6,812,943 B1 11/2004 Day et al.  
 6,835,013 B2 12/2004 Dunn et al.  
 6,857,801 B2 2/2005 Van Bever  
 6,890,113 B2 5/2005 Block  
 6,954,254 B2 \* 10/2005 Silverbrook ..... B41J 2/14  
 347/86  
 7,044,589 B2 \* 5/2006 Silverbrook ..... B41J 2/14  
 347/85  
 7,066,588 B2 \* 6/2006 Silverbrook ..... B26D 1/185  
 347/86  
 7,077,515 B2 \* 7/2006 Silverbrook ..... B41J 2/17513  
 347/85  
 7,140,791 B2 11/2006 Van Bever  
 D538,333 S \* 3/2007 Nakajima ..... D18/43  
 7,470,014 B2 \* 12/2008 Silverbrook ..... B41J 2/1752  
 347/86  
 D610,607 S \* 2/2010 Kachi ..... D18/56  
 7,722,172 B2 \* 5/2010 Silverbrook ..... B41J 2/14  
 347/86  
 7,789,501 B2 \* 9/2010 Silverbrook ..... B41J 2/14  
 347/86  
 D636,813 S \* 4/2011 Kikuchi ..... D18/43  
 7,990,567 B2 8/2011 Vleurinck et al.  
 D659,186 S \* 5/2012 Okamoto ..... D18/43  
 D659,751 S \* 5/2012 Okamoto ..... D18/43  
 D661,344 S \* 6/2012 Okamoto ..... D18/43  
 D675,254 S \* 1/2013 Kubota ..... D18/56  
 D675,255 S \* 1/2013 Kubota ..... D18/56  
 8,469,507 B2 \* 6/2013 Fukui ..... B41J 13/226  
 347/85  
 D712,457 S \* 9/2014 Koshimori ..... D18/43  
 2002/0059880 A1 5/2002 Klinefelter et al.  
 2003/0053109 A1 3/2003 Lester et al.  
 2004/0090647 A1 5/2004 Beard et al.  
 2004/0245310 A1 12/2004 Masuda et al.  
 2005/0156974 A1 7/2005 Silverbrook et al.  
 2005/0180795 A1 8/2005 Kurashina  
 2007/0262141 A1 11/2007 Ito et al.  
 2008/0219692 A1 9/2008 Kondo et al.  
 2009/0148222 A1 6/2009 Terry et al.  
 2013/0155459 A1 6/2013 Jeong et al.  
 2015/0022611 A1 1/2015 Taylor et al.  
 2015/0022612 A1 1/2015 Taylor et al.

FOREIGN PATENT DOCUMENTS

EM 1849614 A2 10/2007  
 FR 2736863 A1 1/1997  
 FR 2778141 A1 11/1999  
 JP 59-102886 8/1984  
 JP 03026757 2/1991  
 JP 07-233575 9/1995  
 JP 11-340326 12/1999  
 JP 2000-128396 5/2000  
 JP 4115979 B2 7/2008  
 JP 2011255609 A 12/2011  
 WO WO-2009071685 A1 6/2009  
 WO WO-2015009849 A1 1/2015  
 WO WO-2015009860 A1 1/2015

OTHER PUBLICATIONS

U.S. Appl. No. 29/490,336, Battery Module For Printer, filed May 8, 2014.  
 Baxter, R., (Dec. 1985) "Bar coding pays off for case", Production Engineer, *Journal of the Institution of Production Engineers*, vol. 64, No. 11, pp. 15-17.  
 Brother Corporation, "Internet Archive: Wayback Machine", Brother At your side, P-Touch Products (2 pages).  
 Brother Corporation, "P-Touch 9200DX (Model: PT-9200DX): Quick Reference" (40 pages).

(56)

**References Cited**

## OTHER PUBLICATIONS

Brother Corporation, "P-Touch Editor Version 3.1", Basic Operation, Reference and Index, (203 pages).

Casio Computer Co., Ltd., (2002) "TDK LPCW-50 CD/DVD label printer application version 1.0 for Windows User's Guide", (85 pages).

Coates, J., (Mar. 10, 1996) "AddressMate Plus Produced by CoStar Corp. For . . .", Software Spotlight, *Chicago Tribune*, (3 pages). Last accessed Feb. 5, 2015 at: <[http://articles.chicagotribune.com/1996-03-10/business/9603100068\\_1\\_ami-pro-microsoft-word-mailing-labels](http://articles.chicagotribune.com/1996-03-10/business/9603100068_1_ami-pro-microsoft-word-mailing-labels)>.

CoStar Corporation, (1994-1995) "User Manual for AddressMate and AddressMate Plus", AddressMate Plus for Windows User's Manual, (211 pages).

Datamax Corporation, (1999) "Allegro Thermal Printer Maintenance Manual", (162 pages).

Duncan, J., (Jan. 18, 1993), "Windows databases for end-users", ProQuest, (21 pages).

DYMO, (Apr. 18, 2001) "DYMO's LabelWriter Range Eliminates Label Printing Hassles", (2 pages). Last accessed Jan. 16, 2015 at: <[http://global.dymo.com/enCA/PressRelease/DYMO\\_s\\_LabelWriter\\_Range.html](http://global.dymo.com/enCA/PressRelease/DYMO_s_LabelWriter_Range.html)>.

DYMO, (May 14, 2001) "DYMO Launches New PC/Mac Connected Product Line", (2 pages). Last accessed Jan. 16, 2015 at: <[http://global.dymo.com/enCA/PressRelease/DYMO\\_Launches\\_New\\_PC\\_Mac\\_Connected\\_Product\\_Line.html](http://global.dymo.com/enCA/PressRelease/DYMO_Launches_New_PC_Mac_Connected_Product_Line.html)>.

DYMO, "Dymo Address Labels White (120130 / 30251)", (3 pages). Last accessed Feb. 15, 2015 at: <<http://www.labecity.com/DYMO-address-labels-white-120130.html>>.

DYMO, "LabelWriter Address labels", (3 pages). Last accessed Feb. 15, 2015 at: <[http://global.dymo.com/enGB/LabelAttribute/LabelWriter\\_Address\\_labels.html](http://global.dymo.com/enGB/LabelAttribute/LabelWriter_Address_labels.html)>.

DYMO, "Standard Tapes", (2 pages). Last accessed Feb. 15, 2015 at: <[http://global.dymo.com/enGB/LabelsOverview/Standard\\_Tapes.html](http://global.dymo.com/enGB/LabelsOverview/Standard_Tapes.html)>.

DYMO Corporation, (Mar. 2001) "Declaration of Confirmity," LabelWriter User Manual for LabelWriter Model Nos. 300, 330, 330 Turbo, EL40, EL60 and Turbo, (56 pages).

Erdman, A., et al., (1991) "Mechanism Design: Analysis and Synthesis—vol. I", *Prentice Hall*, 2nd Edition, (4 pages).

Forderer, S., et al., (1999) "Step by Step Microsoft Office 2000 Self-Study Kit", *Microsoft Press*, Catapult, Perspection and ActiveEducation (9 pages).

Gryphon, R., (Oct. 31, 1994) "Approach 3.0 improves speed, ease of use: Lotus' efforts to optimize indexing bring significant increases in query performance", Reviews, *InfoWorld*, (3 pages).

Heller, Stephen R., (Jun. 10, 1991) "Seiko Smart Label Printer", *Computer Software Reviews*, J. Chem. Inf. Computer Science, vol. 31, No. 3, p. 435. (1 page).

Hewlett-Packard Co., (Apr. 1999) "HP LaserJet 4000 and 4050 Series Printers Service Manual", (394 pages).

International Search Report and Written Opinion for International Patent Application No. PCT/US2014/046883, mailed Oct. 14, 2014 (10 pages).

International Search Report and Written Opinion for International Patent Application No. PCT/US2014/046901, mailed Oct. 21, 2014 (11 pages).

Intermec Corporation, (Nov. 1997) "3240 Bar Code Label Printer", User's Manual, (178 pages).

Intermec Corporation, (Nov. 1996) "4400 Bar Code Label Printer User's Manual", (318 pages).

Intermec Printer AB, (2002) "Intermec EasyCoder 501 XP Bar Code Label Printer—User's Guide", (178 pages).

Intermec Technologies Corporation, (2000) "LabelShop Ultra & Pro Label Design and Printing Software", Product Profile, (2 pages).

Intermec Technologies Corporation, (Sep. 2000) "Intermec EasyCoder F4 Bar Code Label Printer: Installation & Operation", 3rd Edition, (127 pages).

Karlsson, B., (May 2000) "Thermal Printers", Programmer's Reference Labelpoint II Version 4.3x Copyright Markpoint Printer AB, (79 pages).

Lombardi, J., (Feb. 10, 1992), "Windows Word Processors: InfoWorld Tests the Tools and Features in Six of the High-End Graphical Products", ProQuest, (18 pages).

Marshall, P., (Aug. 22, 1994) "Pulling away from the hard fax", Reviews/Product Comparison, *InfoWorld*, (12 pages).

Microsoft Corp., (Jun. 7, 1999) "Microsoft Office 2000, an Essential Tool for All Knowledge Workers, Is Available This Week", (4 pages).

Last accessed Feb. 5, 2015 at: <<http://news.microsoft.com/1999/06/07/microsoft-office-2000-an-essential-tool-for-all-knowledge-workers-is-available-this-week/>>.

Rubright, R., (Jan. 24, 1994) "Office Accelerator automates, adds professional polish to correspondence", Reviews/Test Drives, *InfoWorld*, (1 page).

SATO America, Inc., (May 2000) "SATO M-5900RV Direct Thermal Printer: Operator and Technical Reference Manual", (258 pages).

Schwartz, E., (Sep. 14, 1998) "IBM boots PC print management", Client/Server, *InfoWorld*, (1 page).

Stoughton, A., (Dec. 13, 1993) "Q&A flat-file manager moves to Windows: 4.0 features differ from DOS version; offers graphical, quick database query capabilities", Reviews, *InfoWorld*, (4 pages).

Tiplady, B., (1981) "A Basic Program for Constructing a Dispensing List for a Randomised Clinical Trial.", *Letters to the Editors*, Br. J. Clin. Pharmac., vol. 11, pp. 617-618.

Toshiba TEC Corporation, (Nov. 1993) "TEC Thermal Printer B-570 Series Maintenance Manual: Document No. EM18-33010A", (90 pages).

\* cited by examiner

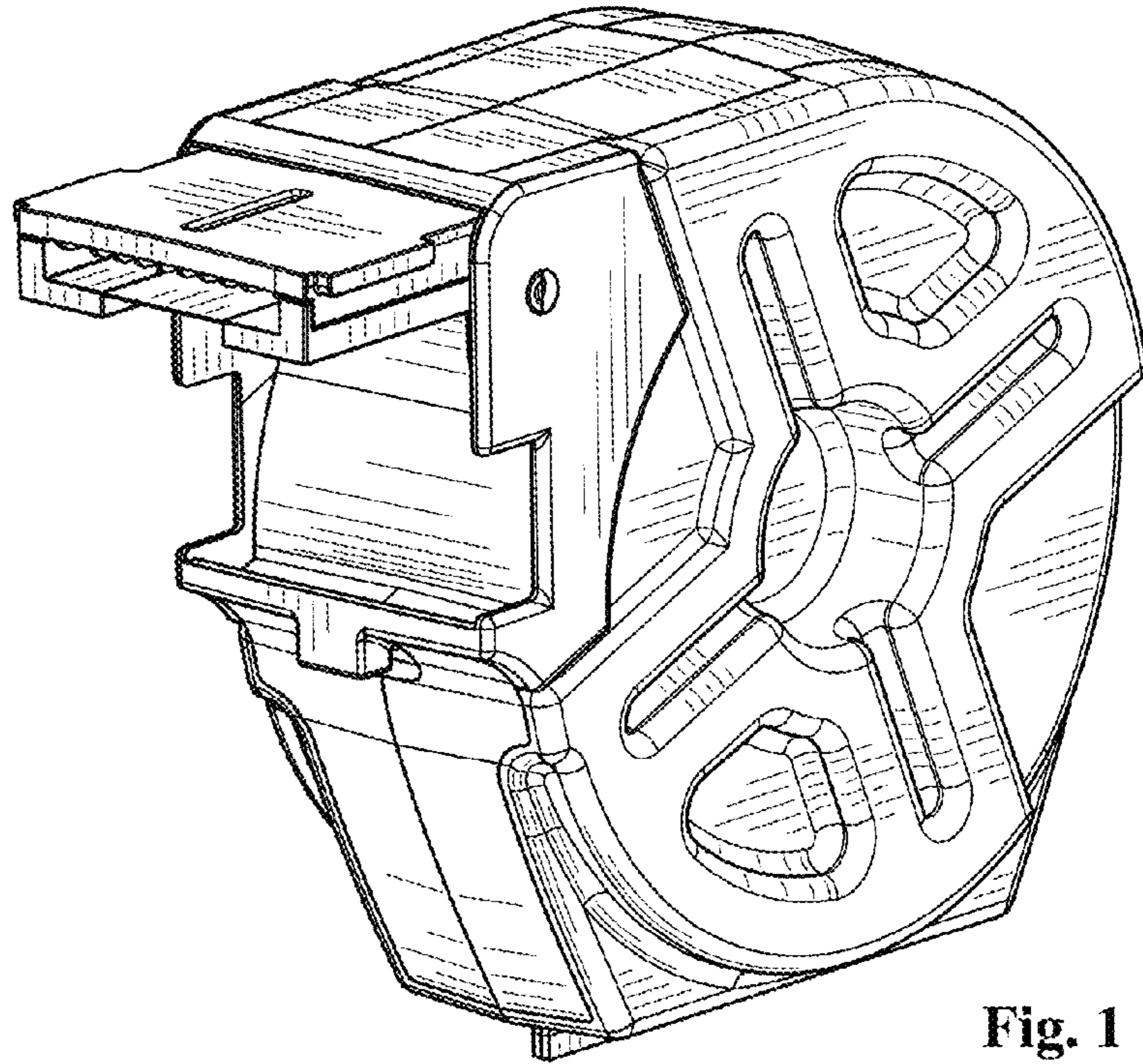


Fig. 1

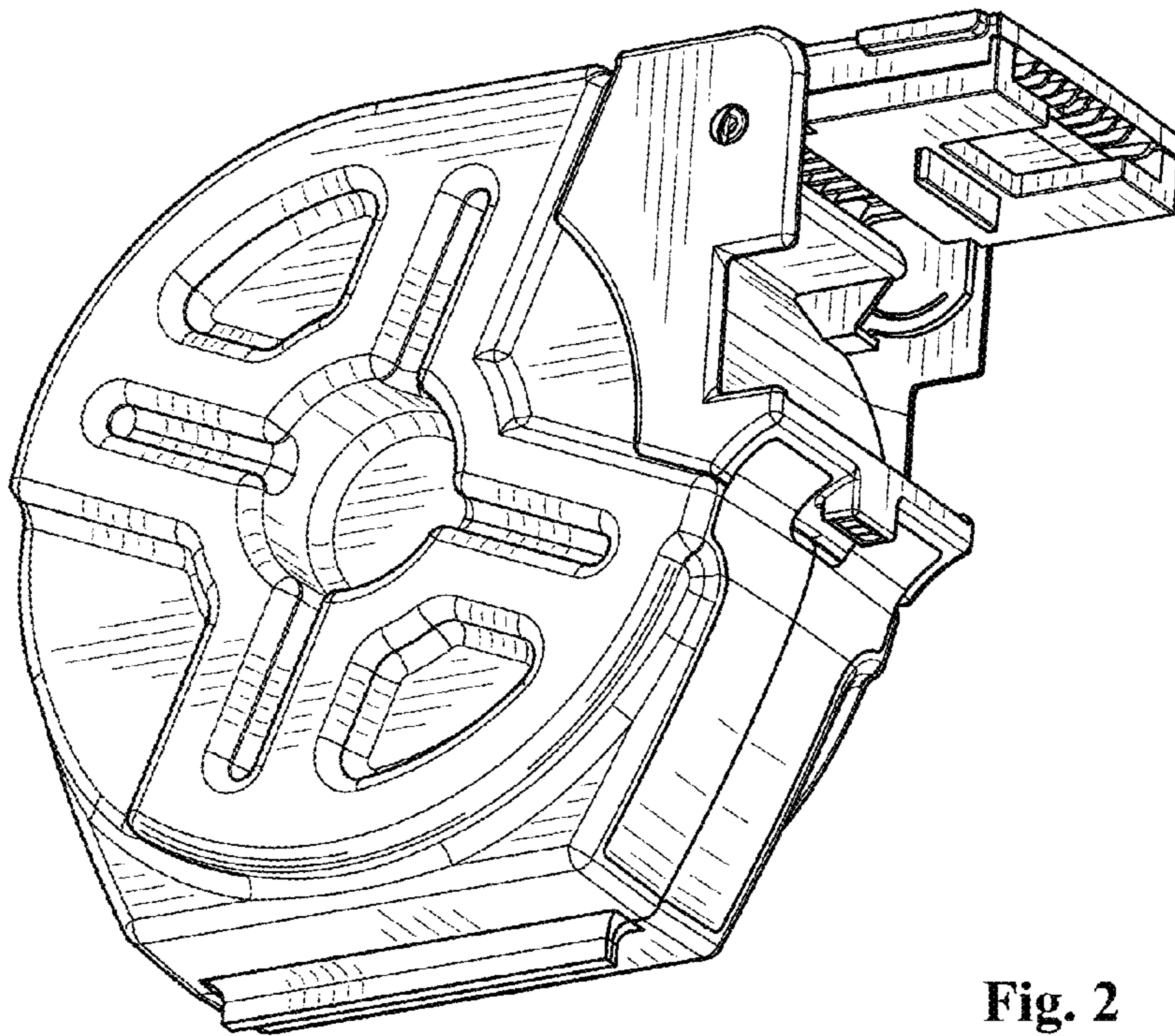


Fig. 2

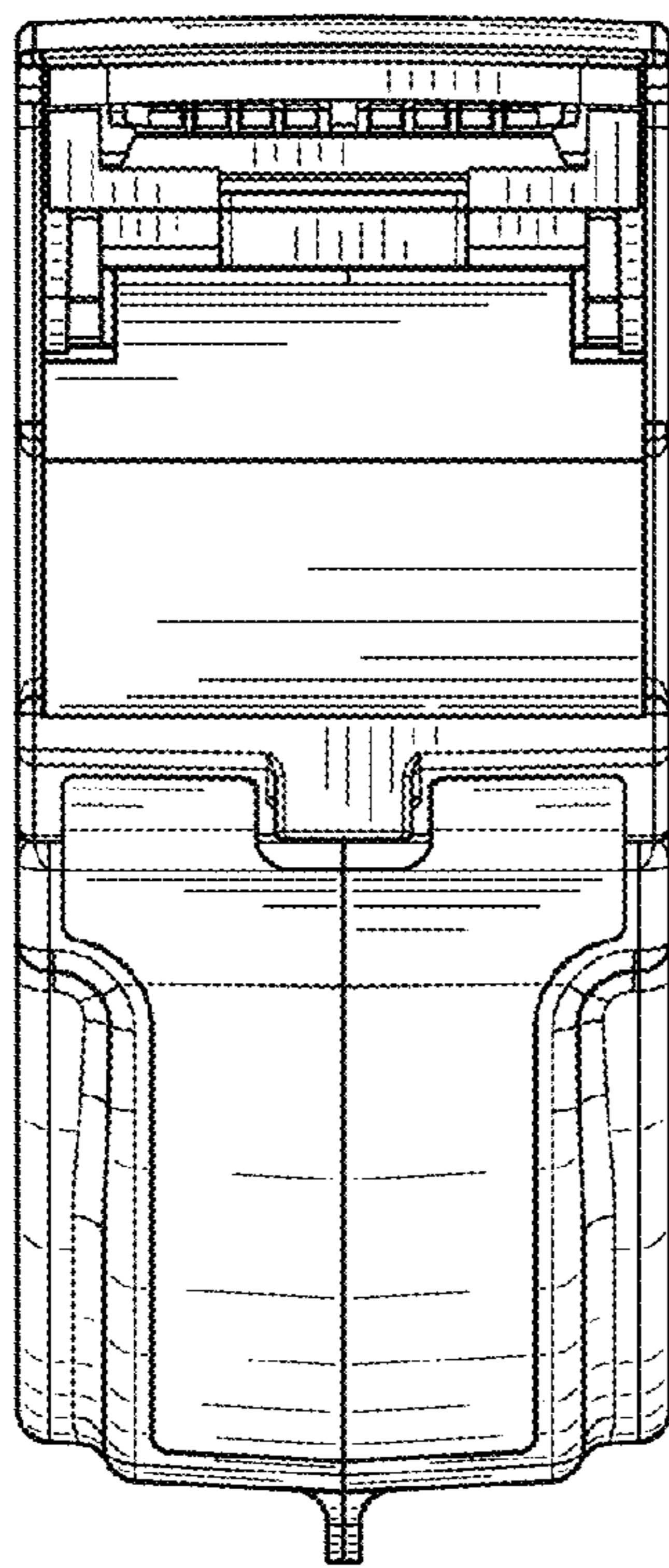


Fig. 3

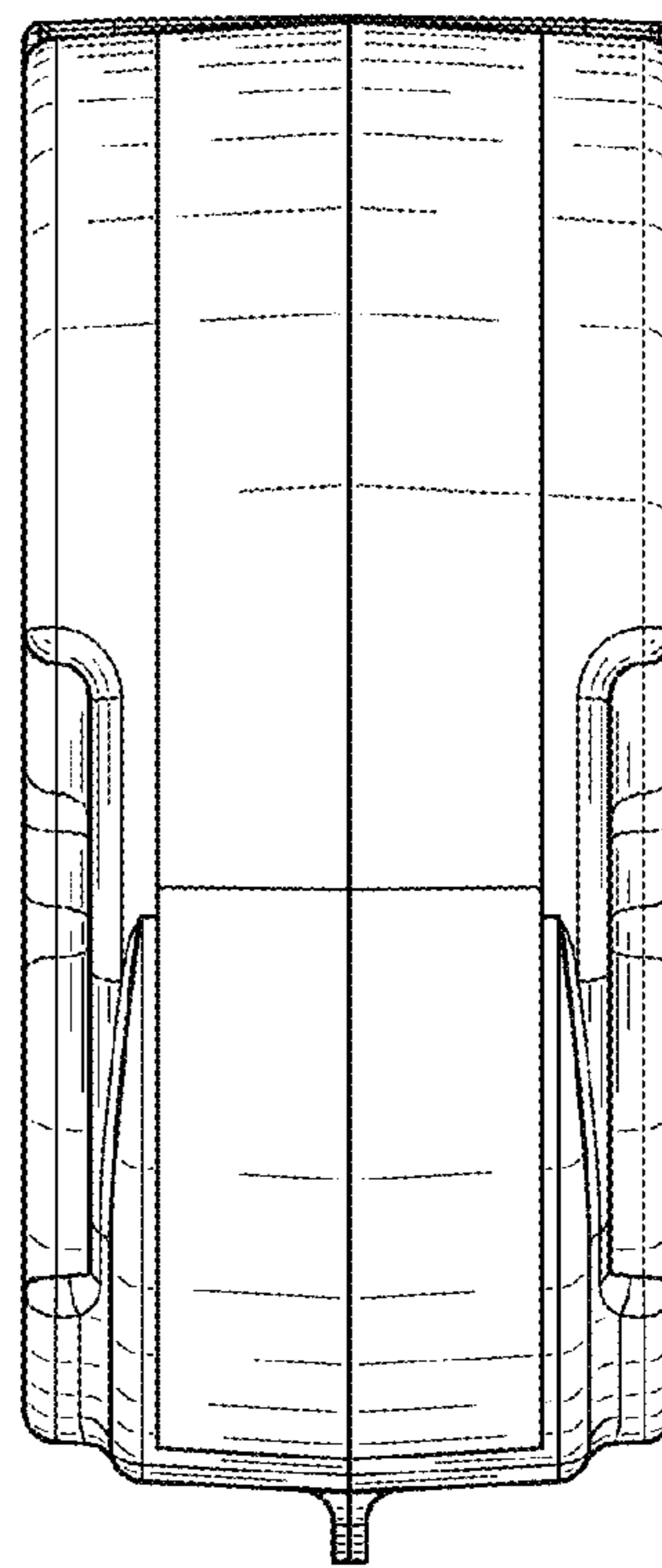


Fig. 4

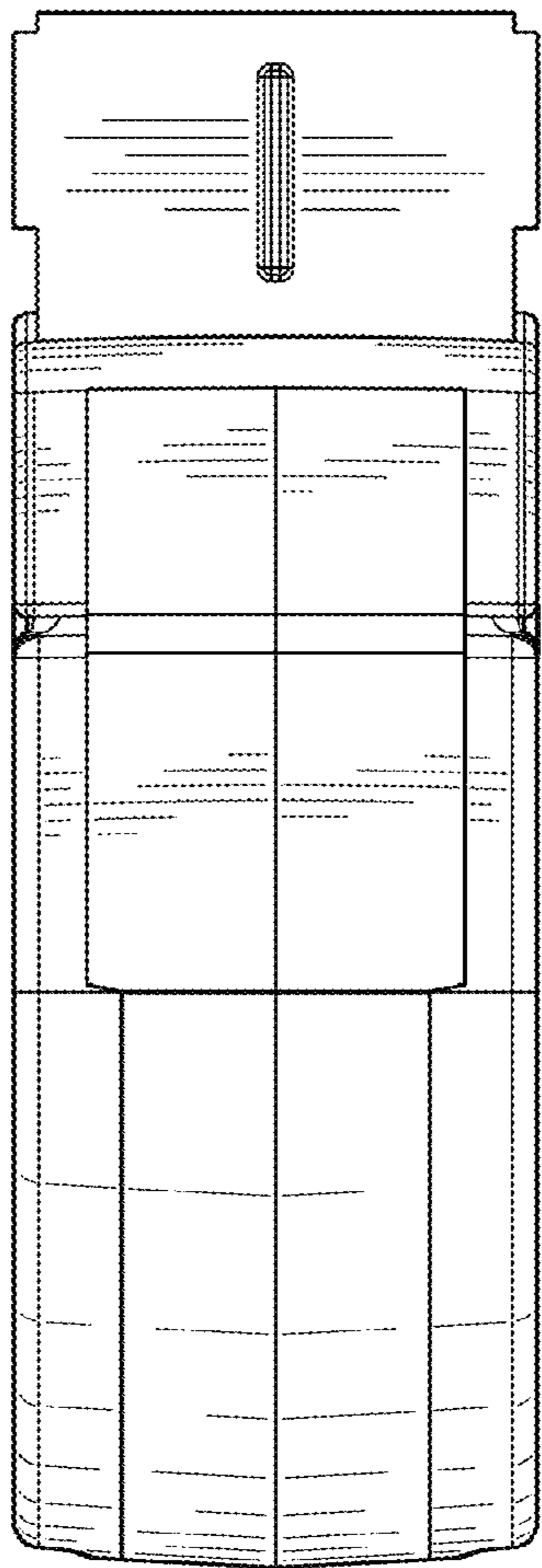


Fig. 5

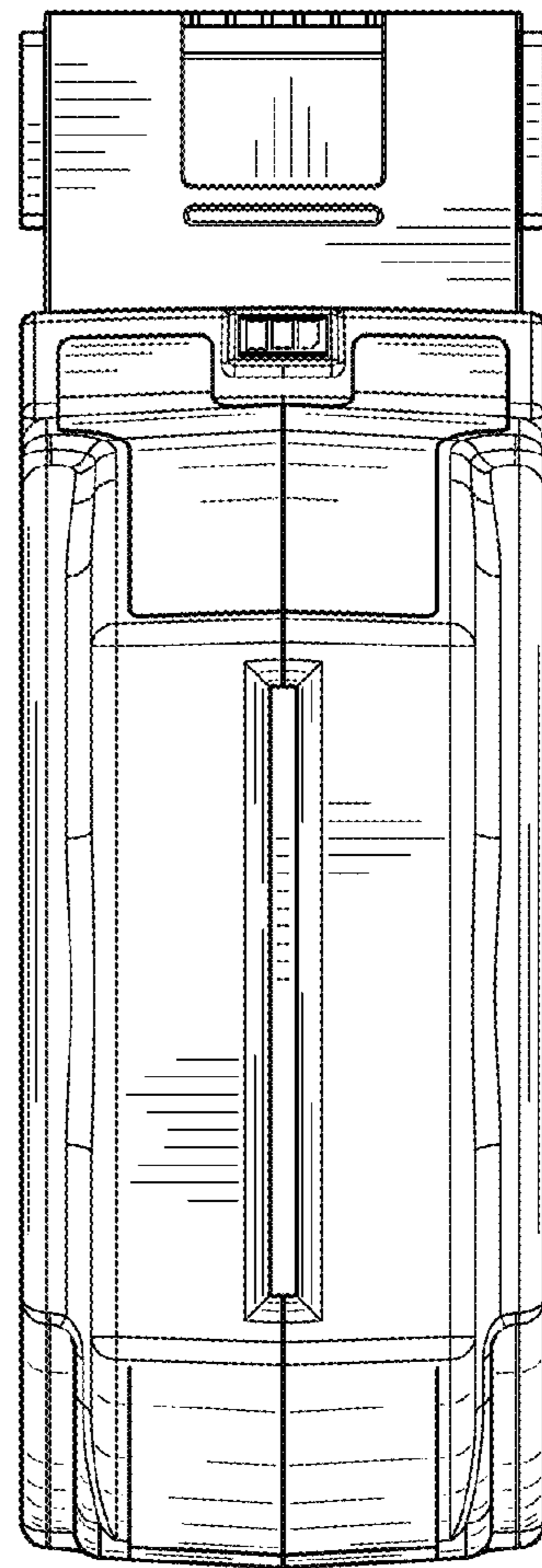


Fig. 6

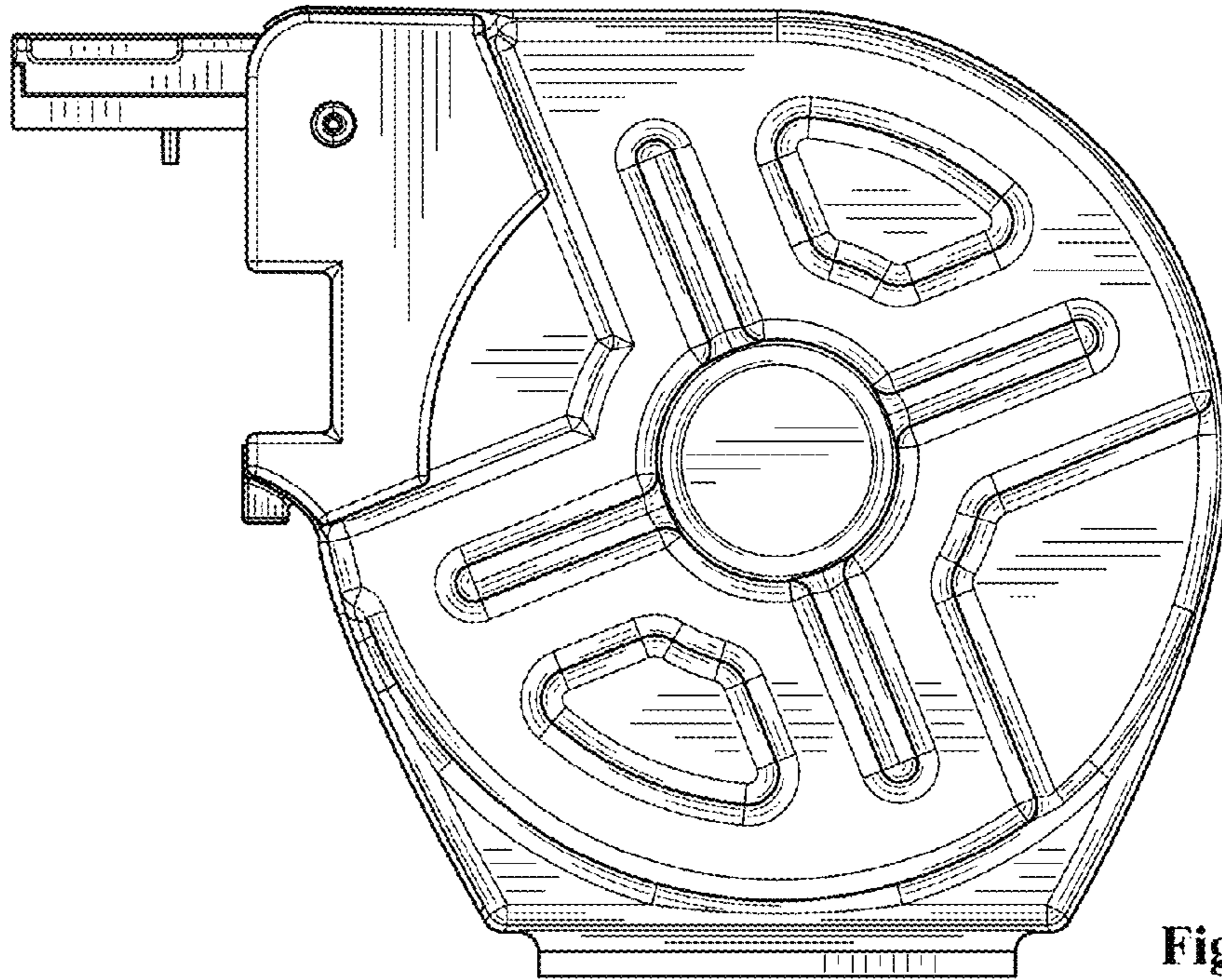


Fig. 7

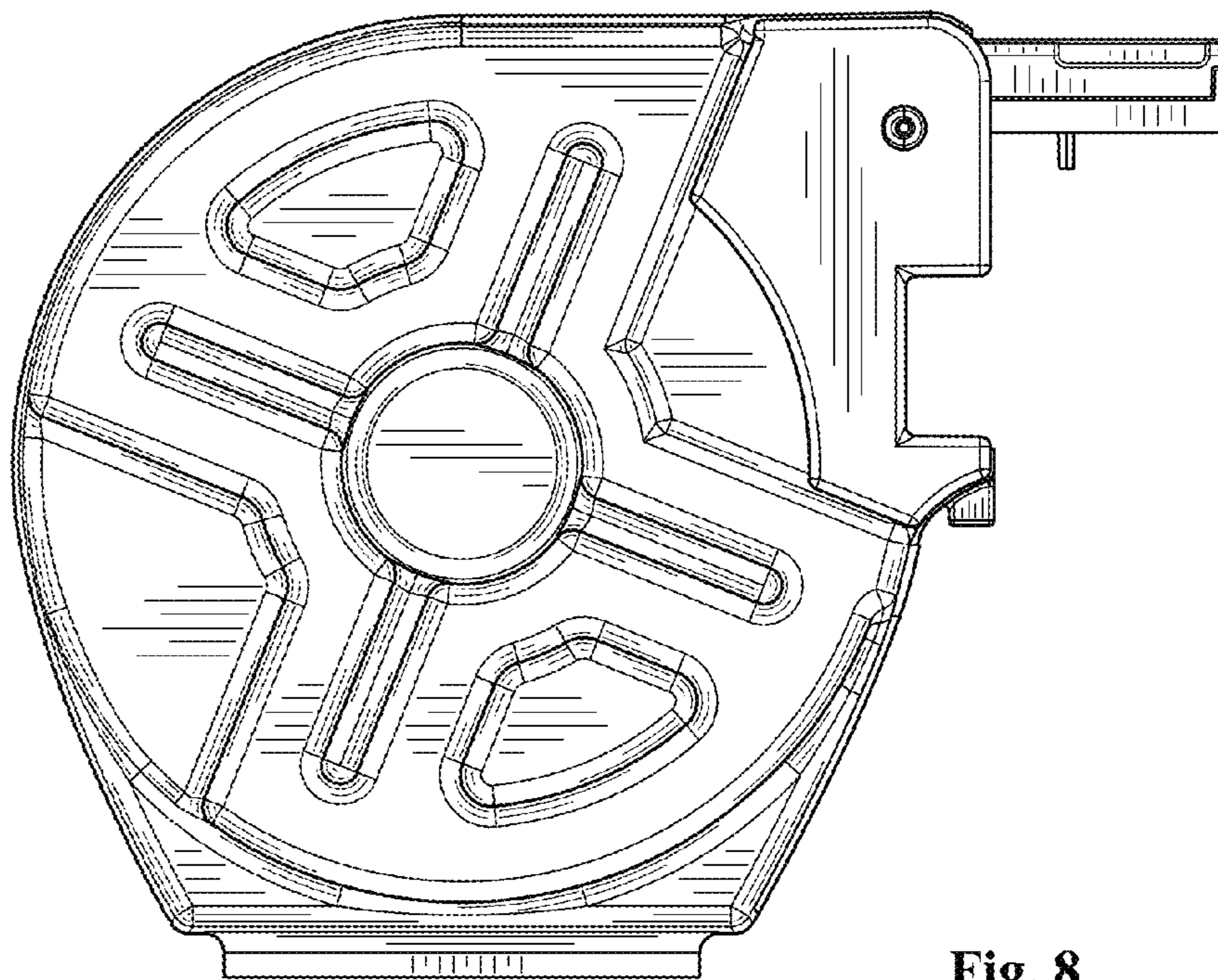


Fig. 8