



US00D763349S

(12) **United States Design Patent**  
**Lee et al.**

(10) **Patent No.:** **US D763,349 S**  
(45) **Date of Patent:** **\*\* Aug. 9, 2016**

(54) **PRINTER**

(71) Applicant: **Samsung Electronics Co., Ltd.**,  
Suwon-si (KR)  
(72) Inventors: **Sang-In Lee**, Seongnam-si (KR);  
**Noriyuki Fujimura**, Seoul (KR);  
**Seung-Wook Jeong**, Seoul (KR);  
**Keiichi Minamide**, Tokyo (JP); **Takeo**  
**Aoki**, Tokyo (JP); **Sayuri Suzuki**, Tokyo  
(JP); **Manabu Sasajima**, Tokyo (JP);  
**Won-Suk Chung**, Seoul (KR);  
**Eung-Yul Lee**, Seoul (KR)

(73) Assignee: **Samsung Electronics Co., Ltd.**,  
Suwon-si (KR)

(\*\*) Term: **14 Years**

(21) Appl. No.: **29/511,344**

(22) Filed: **Dec. 10, 2014**

(30) **Foreign Application Priority Data**

Jun. 13, 2014 (KR) ..... 30-2014-0029015

(51) **LOC (10) Cl.** ..... **18-02**

(52) **U.S. Cl.**  
USPC ..... **D18/53**

(58) **Field of Classification Search**  
USPC ..... D18/50, 54, 53, 56, 59, 36, 38, 39, 40,  
D18/41, 45, 34.4, 34.5, 34.6; D14/301, 307,  
D14/129, 130; D34/5-9; D99/28; D20/1, 10  
CPC ... G06K 15/12; G06K 15/14; H04N 1/00204;  
H04N 1/00249; H04N 1/00278; B41J 3/00;  
B41J 3/28; B41J 3/445; B41J 3/46  
See application file for complete search history.

(56) **References Cited**

U.S. PATENT DOCUMENTS

D201,361	S	*	6/1965	Wiener	.....	D14/303
D283,323	S	*	4/1986	Cervero	.....	D14/451
D286,051	S	*	10/1986	Nakano	.....	D18/53
D313,051	S	*	12/1990	Haker	.....	D14/302
D428,891	S	*	8/2000	Harada	.....	D14/425
D437,879	S	*	2/2001	Weinandt	.....	D18/50

(Continued)

FOREIGN PATENT DOCUMENTS

CN	3334255	*	11/2003
CN	3480788	*	10/2005
EM	000329982-0012	*	6/2005

OTHER PUBLICATIONS

Coroflot of Stanislav Tsybulsky. <URL: <http://www.coroflot.com/stanislavtsybulsky/POSM-Sketches>>. Oct. 3, 2012. Interactive Display CAD.\*

*Primary Examiner* — Bridget L Eland  
*Assistant Examiner* — Lauren McVey  
(74) *Attorney, Agent, or Firm* — NSIP Law

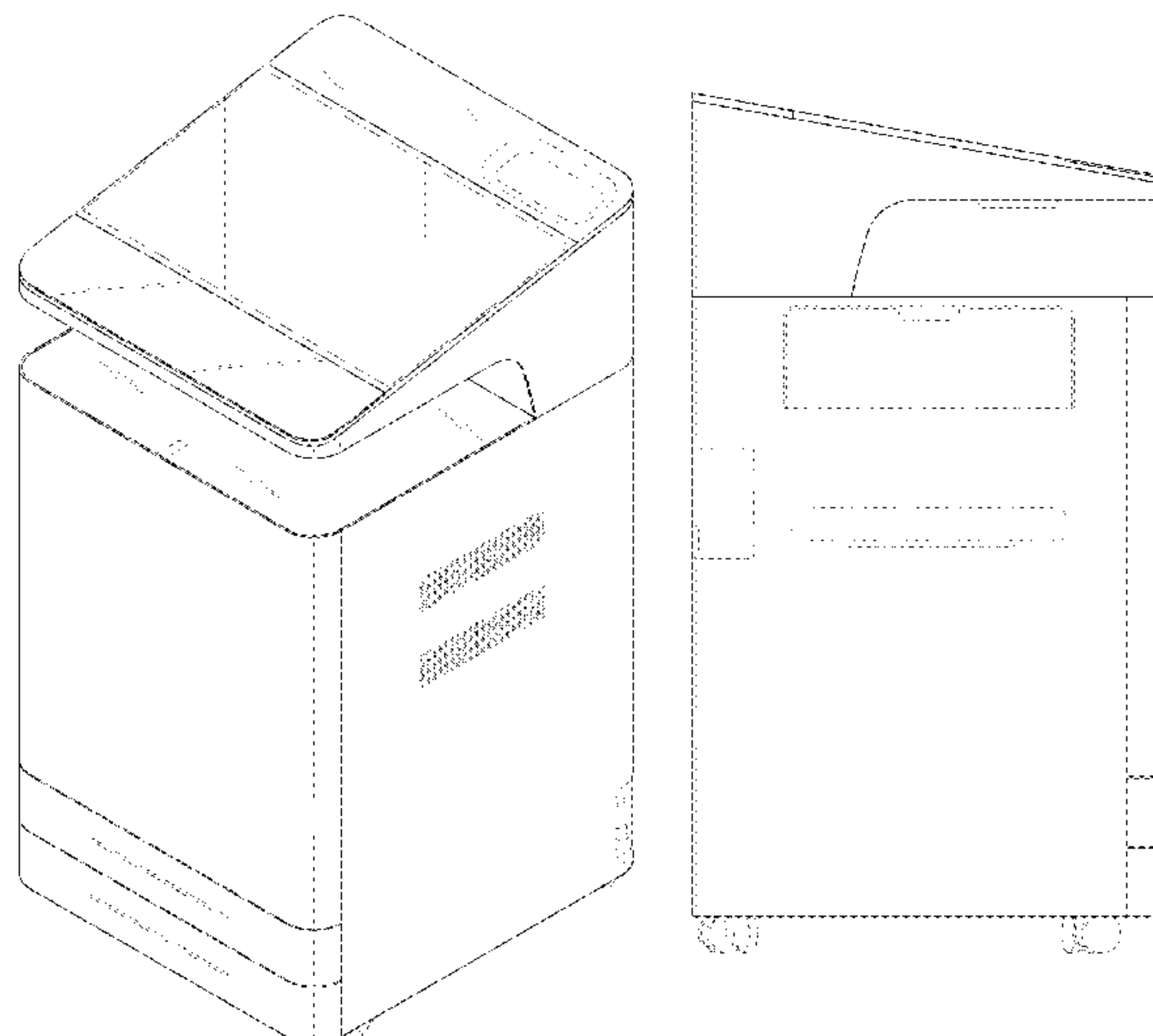
(57) **CLAIM**

We claim the ornamental design for a printer, as shown and described.

**DESCRIPTION**

FIG. 1 is a front perspective view of a printer showing our new design;  
FIG. 2 is a front view thereof;  
FIG. 3 is a rear view thereof;  
FIG. 4 is a left-side view thereof;  
FIG. 5 is a right-side view thereof;  
FIG. 6 is a top view thereof; and,  
FIG. 7 is a bottom view thereof.  
The broken lines that are immediately adjacent to the claim, and define unshaded regions, represent the bounds of the claim and are not included in the claim, while all other broken lines are directed to environment; the broken lines form no part of the claimed design.

**1 Claim, 7 Drawing Sheets**



# US D763,349 S

Page 2

---

(56)

## References Cited

### U.S. PATENT DOCUMENTS

D447,768 S \* 9/2001 Shiozaki ..... D18/53  
D645,897 S \* 9/2011 Chuang ..... D18/50  
D702,237 S \* 4/2014 Oberpriller ..... D14/420

D732,109 S \* 6/2015 Chung ..... D18/50  
D732,607 S \* 6/2015 Backs ..... D18/50  
D751,638 S \* 3/2016 Chung ..... D18/53  
2008/0003010 A1\* 1/2008 Isogai ..... H04N 1/0035  
399/81

\* cited by examiner

FIG. 1

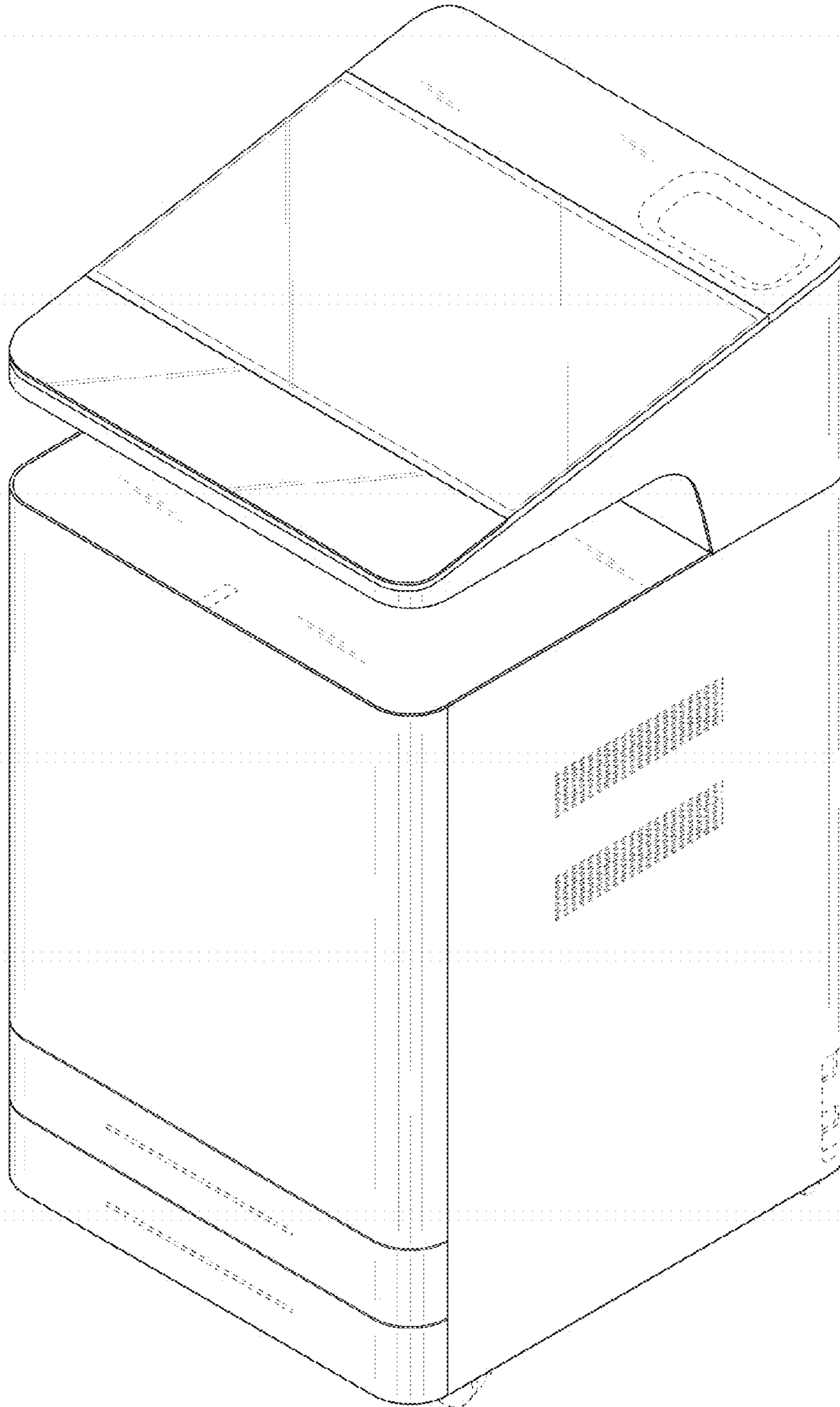


FIG.2

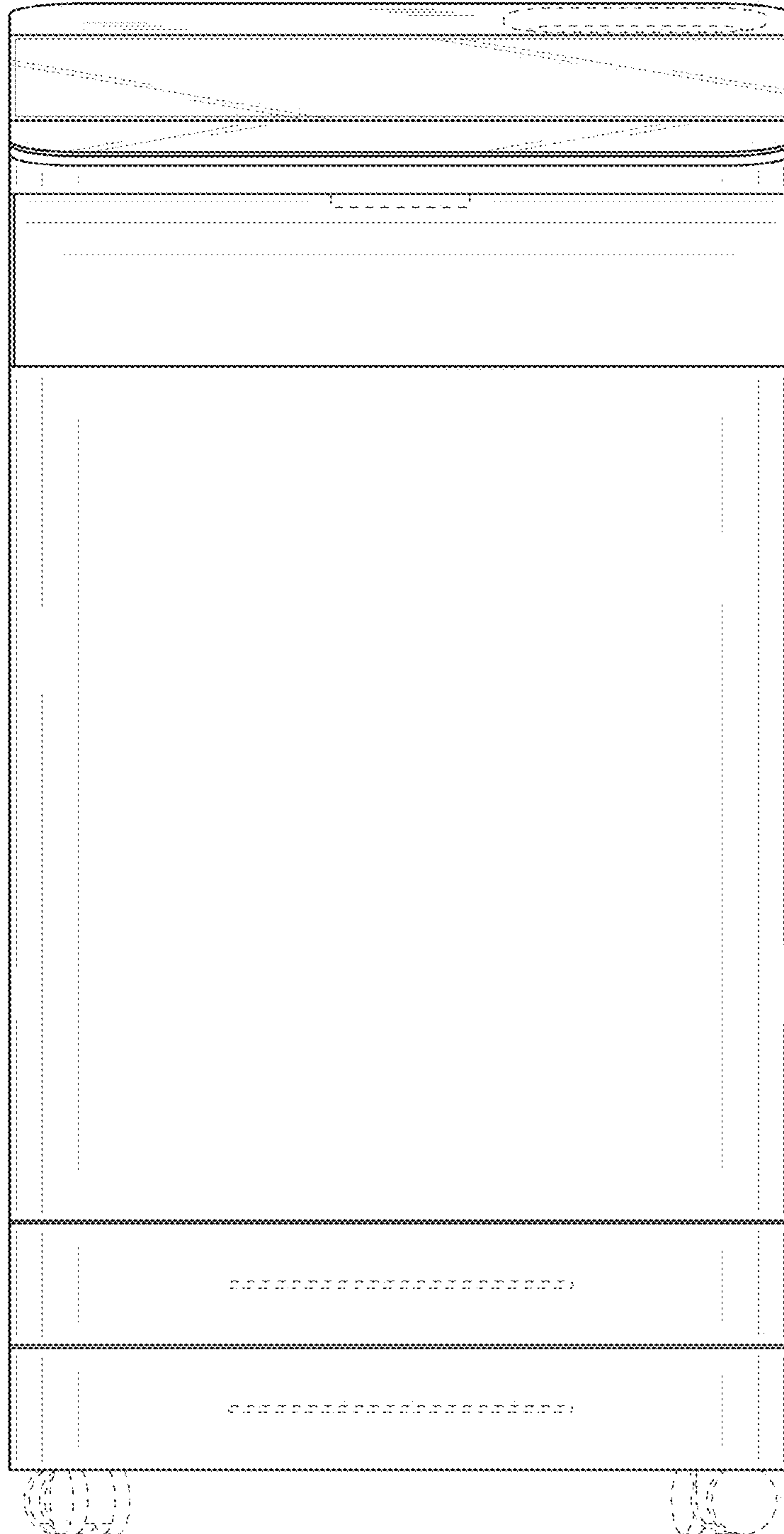


FIG.3

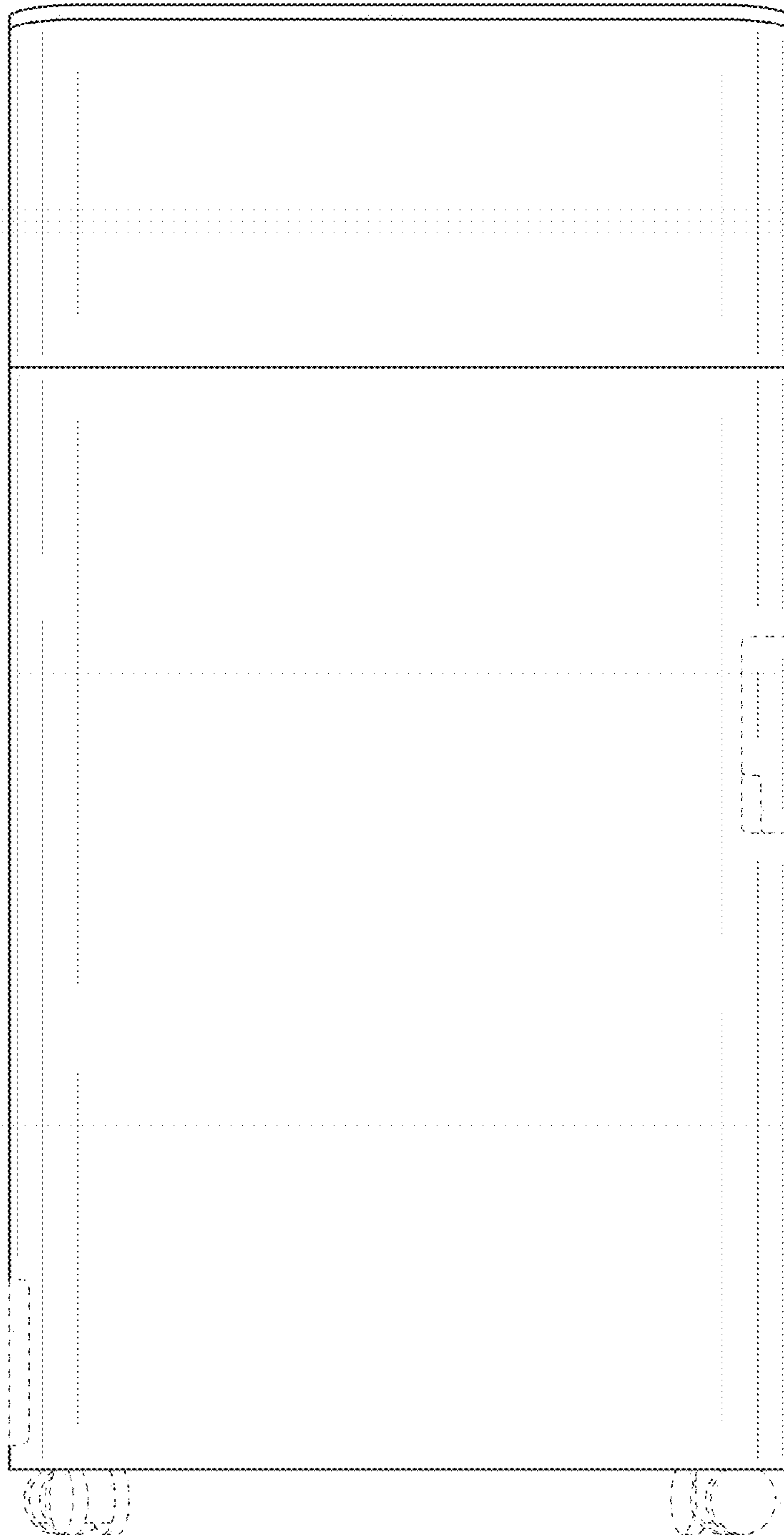


FIG.4

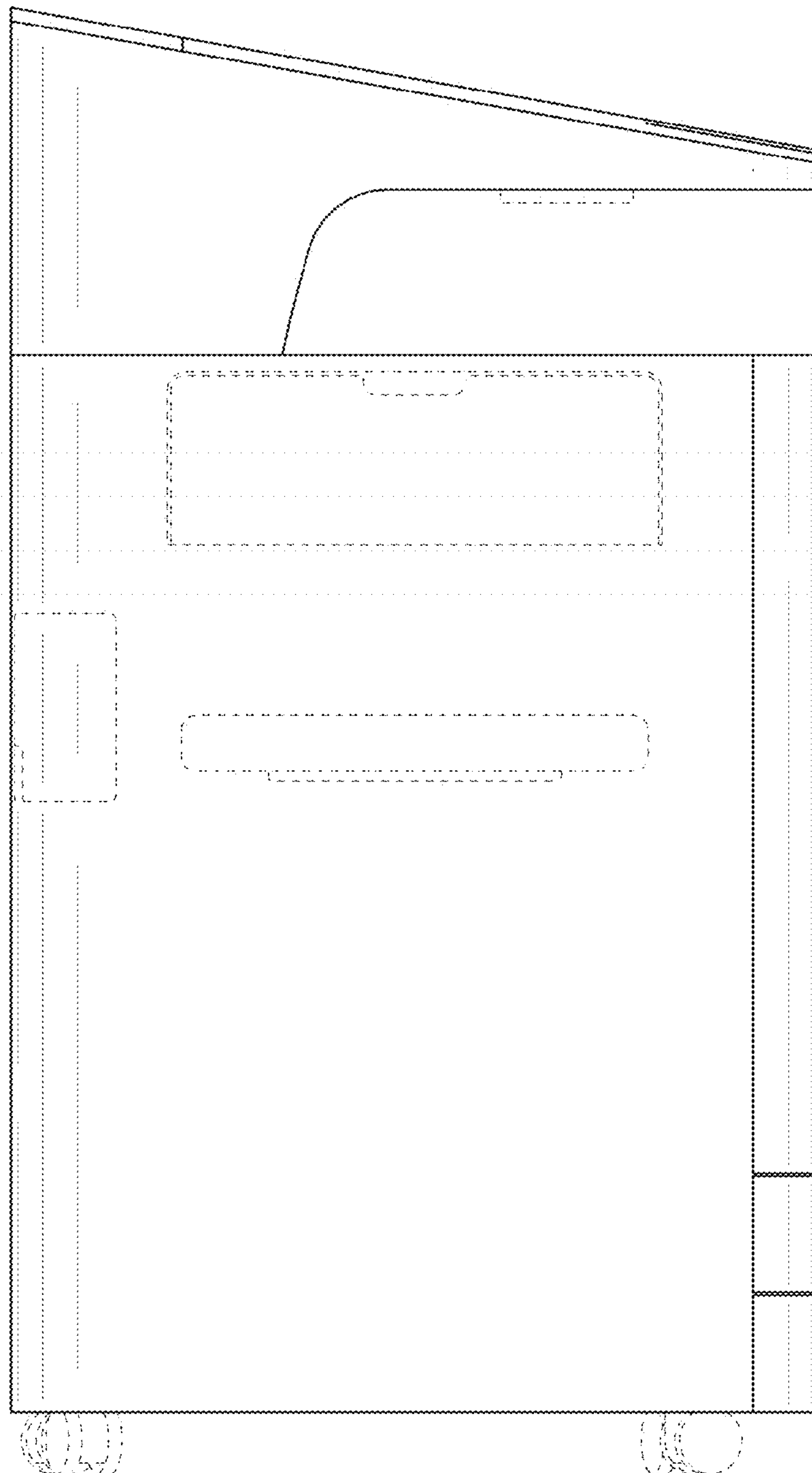




FIG.5

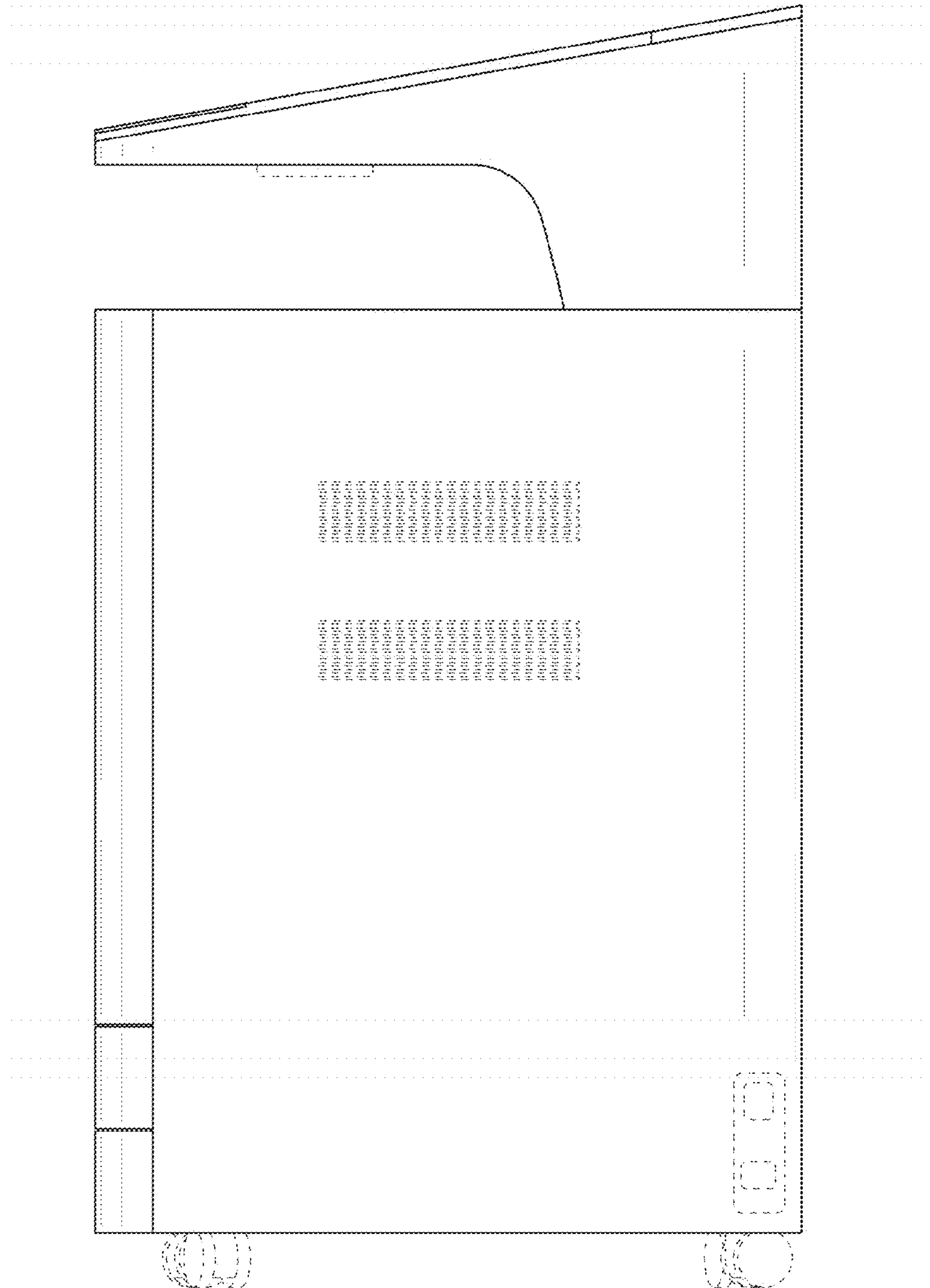


FIG.6

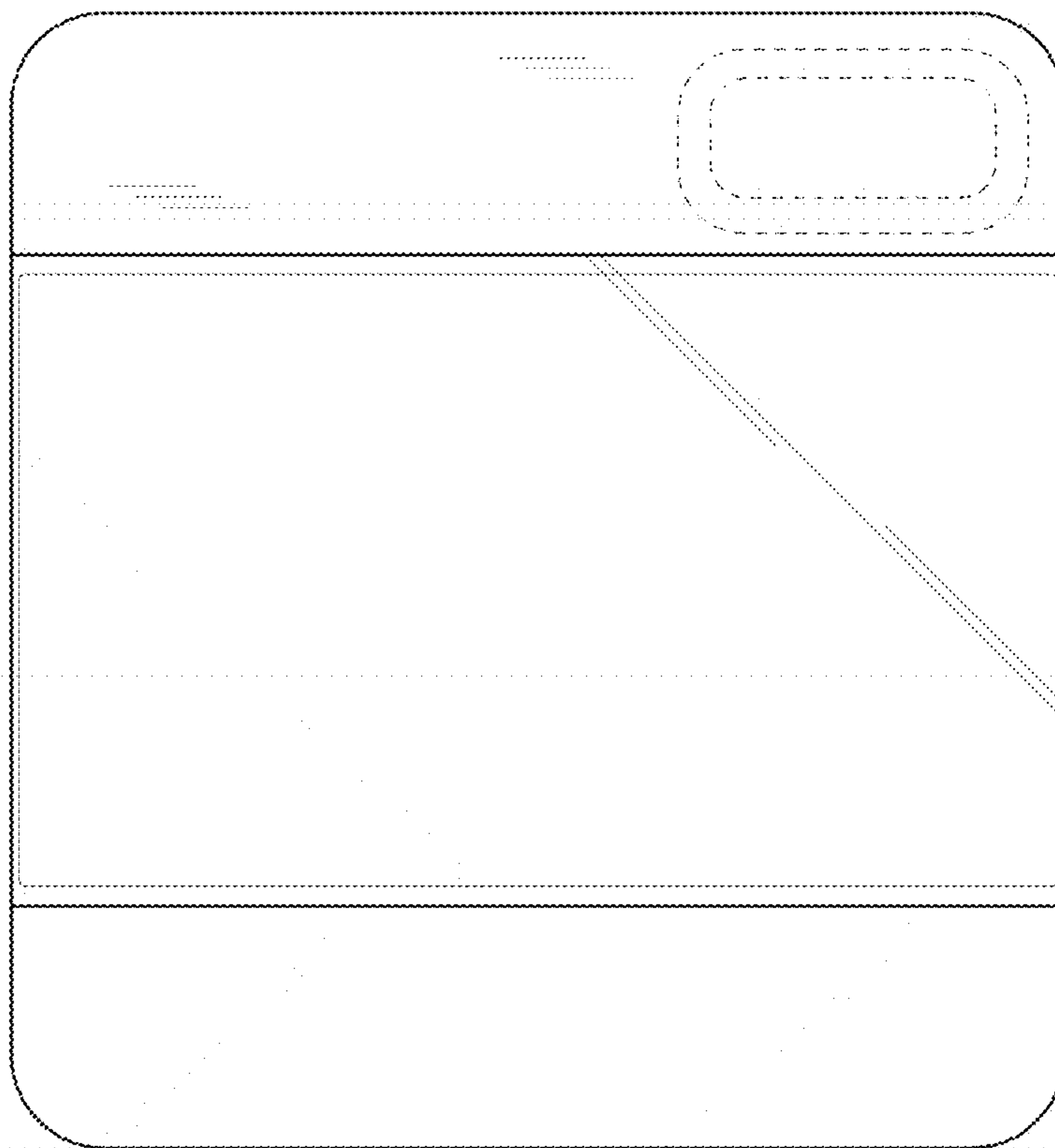




FIG.7

