



US00D763347S

(12) **United States Design Patent**  
**Goto et al.**

(10) **Patent No.:** **US D763,347 S**

(45) **Date of Patent:** **\*\* \*Aug. 9, 2016**

(54) **TONER CARTRIDGE**

(75) Inventors: **Yoshihiro Goto**, Tokyo (JP); **Takuya Kitta**, Tokyo (JP)

(73) Assignee: **OKI DATA CORPORATION**, Tokyo (JP)

(\*) Notice: This patent is subject to a terminal disclaimer.

(\*\*) Term: **14 Years**

(21) Appl. No.: **29/419,567**

(22) Filed: **Apr. 30, 2012**

(30) **Foreign Application Priority Data**

Oct. 31, 2011 (JP) ..... 2011-25084

(51) **LOC (10) Cl.** ..... **16-03**

(52) **U.S. Cl.**  
USPC ..... **D18/43**

(58) **Field of Classification Search**  
USPC ..... D14/471; D18/12, 36, 40, 43, 44, 56;  
222/DIG. 1; 347/197, 222; 399/24–28,  
399/107–112, 119, 121, 122, 222–224

See application file for complete search history.

(56) **References Cited**

U.S. PATENT DOCUMENTS

D478,344	S	*	8/2003	Kinoshita et al.	.....	D18/43
D478,345	S	*	8/2003	Kinoshita et al.	.....	D18/43
D491,602	S	*	6/2004	Koyama et al.	.....	D18/43
D546,873	S	*	7/2007	Otani et al.	.....	D18/43
7,245,860	B2	*	7/2007	Huang et al.	.....	399/106
D552,164	S	*	10/2007	Kouroku et al.	.....	D18/43
D573,631	S	*	7/2008	Oda et al.	.....	D18/43
D674,004	S	*	1/2013	Shimomura et al.	.....	D18/43
2006/0216068	A1	*	9/2006	Huang et al.	.....	399/262
2008/0187358	A1	*	8/2008	Kubota et al.	.....	399/120
2009/0162101	A1	*	6/2009	Yoshida et al.	.....	399/254
2012/0274992	A1	*	11/2012	Suzuki	.....	358/474

\* cited by examiner

*Primary Examiner* — Elizabeth Albert

(74) *Attorney, Agent, or Firm* — Ladas & Parry LLP

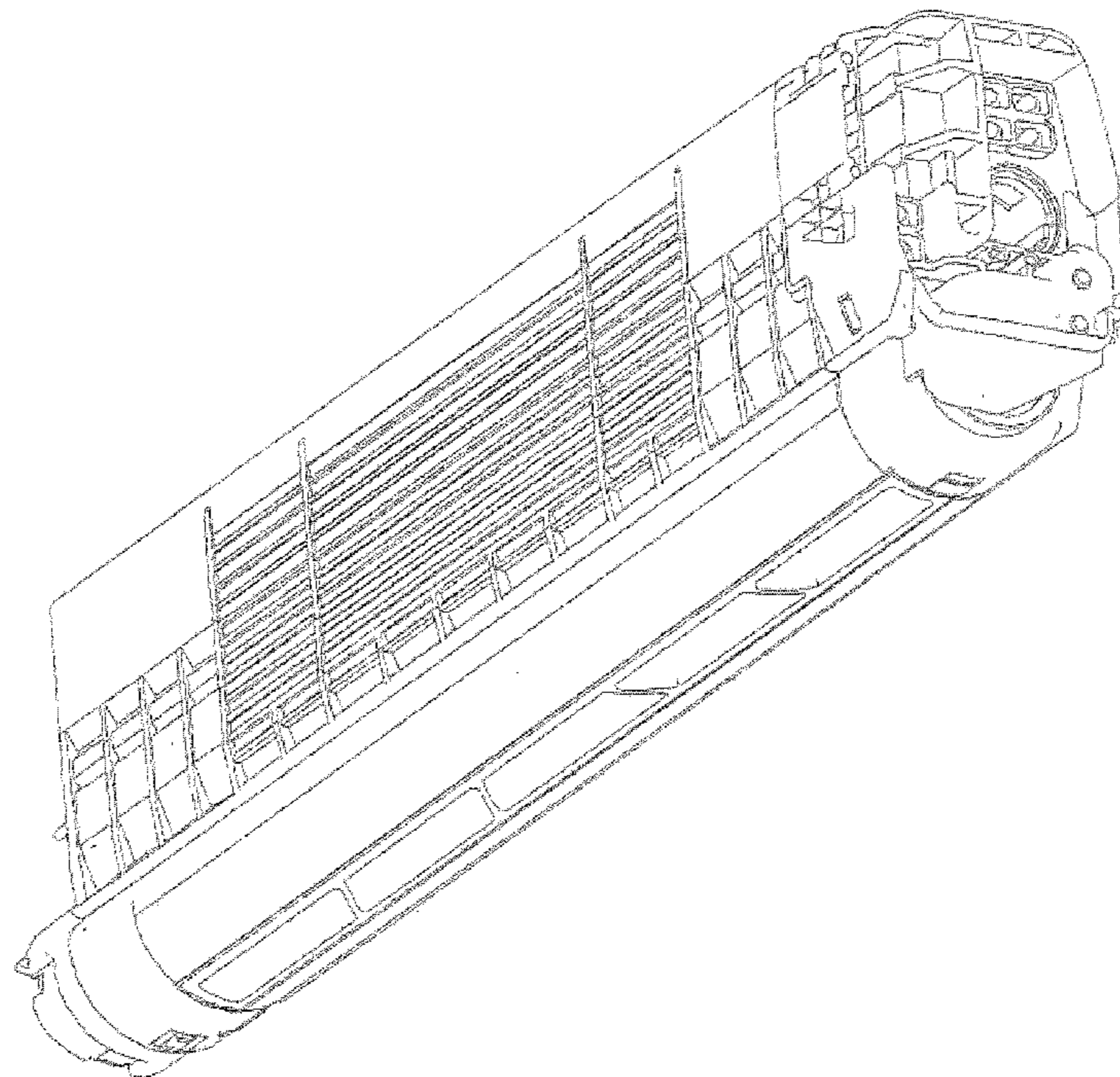
(57) **CLAIM**

The ornamental design for a toner cartridge, as shown and described.

**DESCRIPTION**

FIG. 1 is a front view thereof;  
FIG. 2 is a rear view thereof;  
FIG. 3 is a left side view thereof;  
FIG. 4 is a right side view thereof;  
FIG. 5 is a bottom view thereof;  
FIG. 6 is a top plan view thereof.  
FIG. 7 is a perspective view thereof; and,  
FIG. 8 is another perspective view thereof.

**1 Claim, 8 Drawing Sheets**



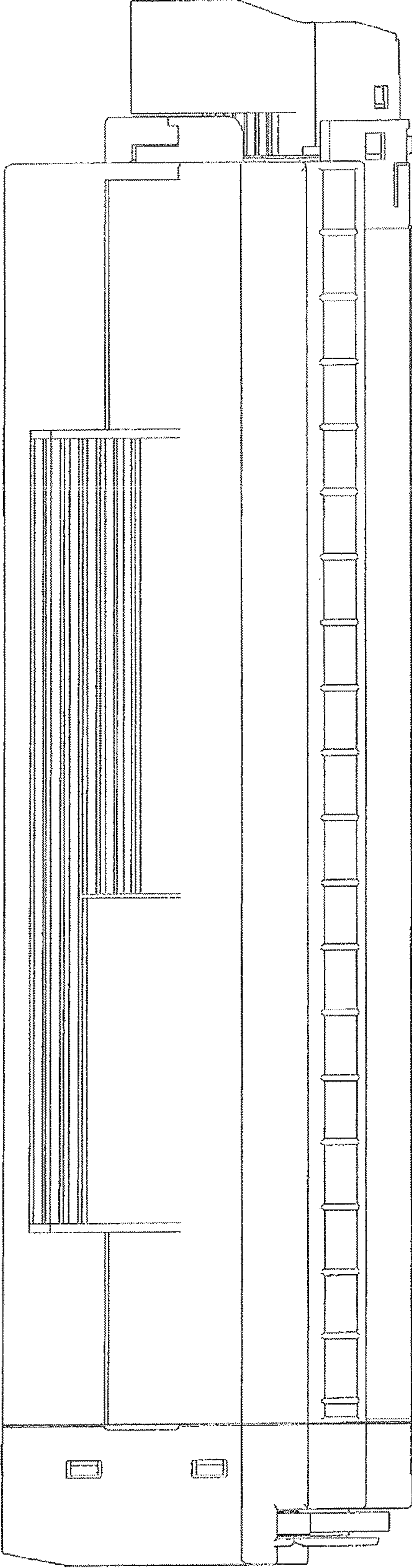


FIG. 1



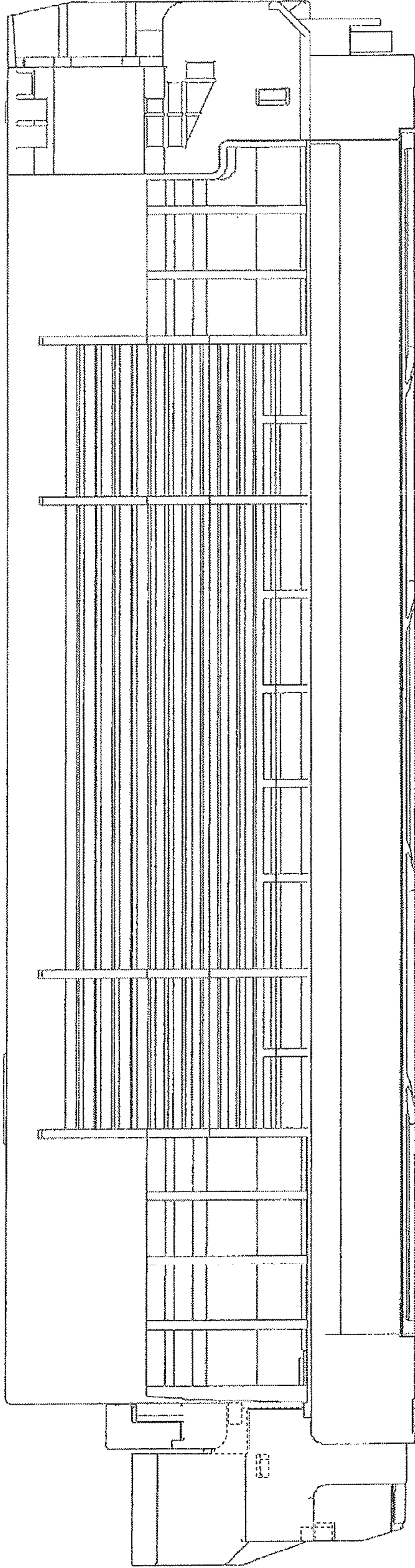


FIG. 2

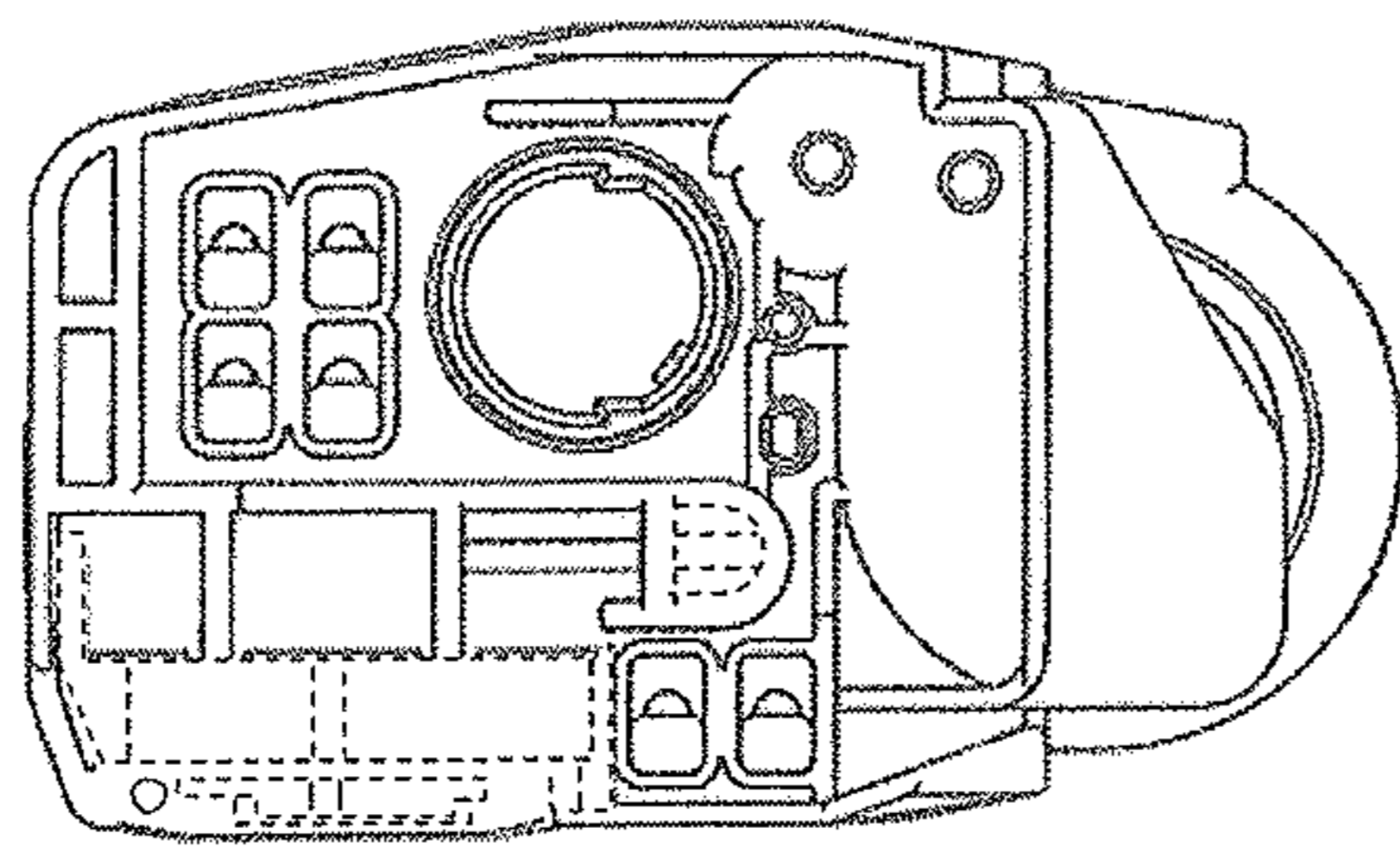


FIG. 3

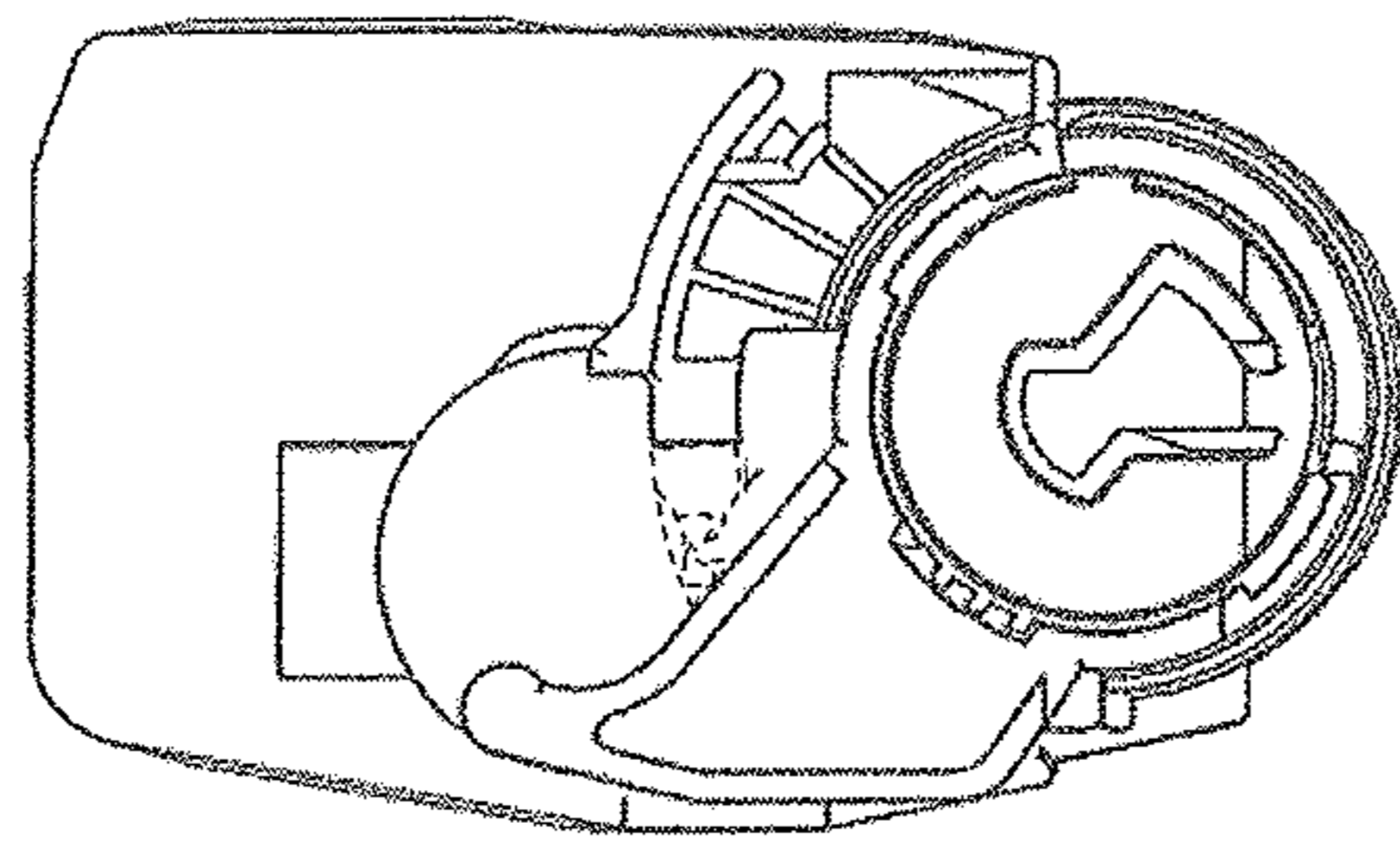


FIG. 4

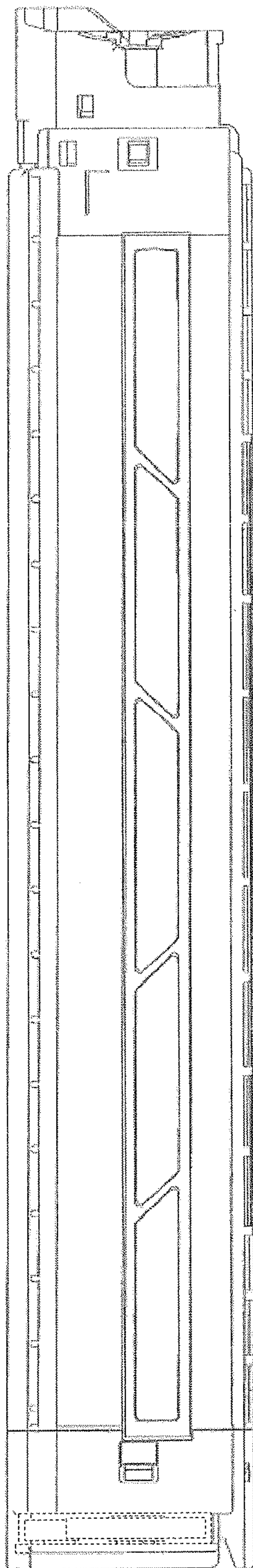


FIG. 5

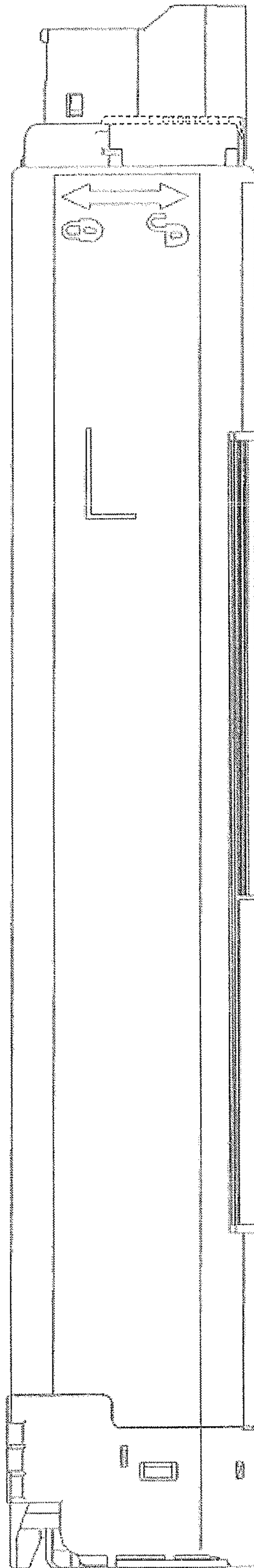


FIG. 6



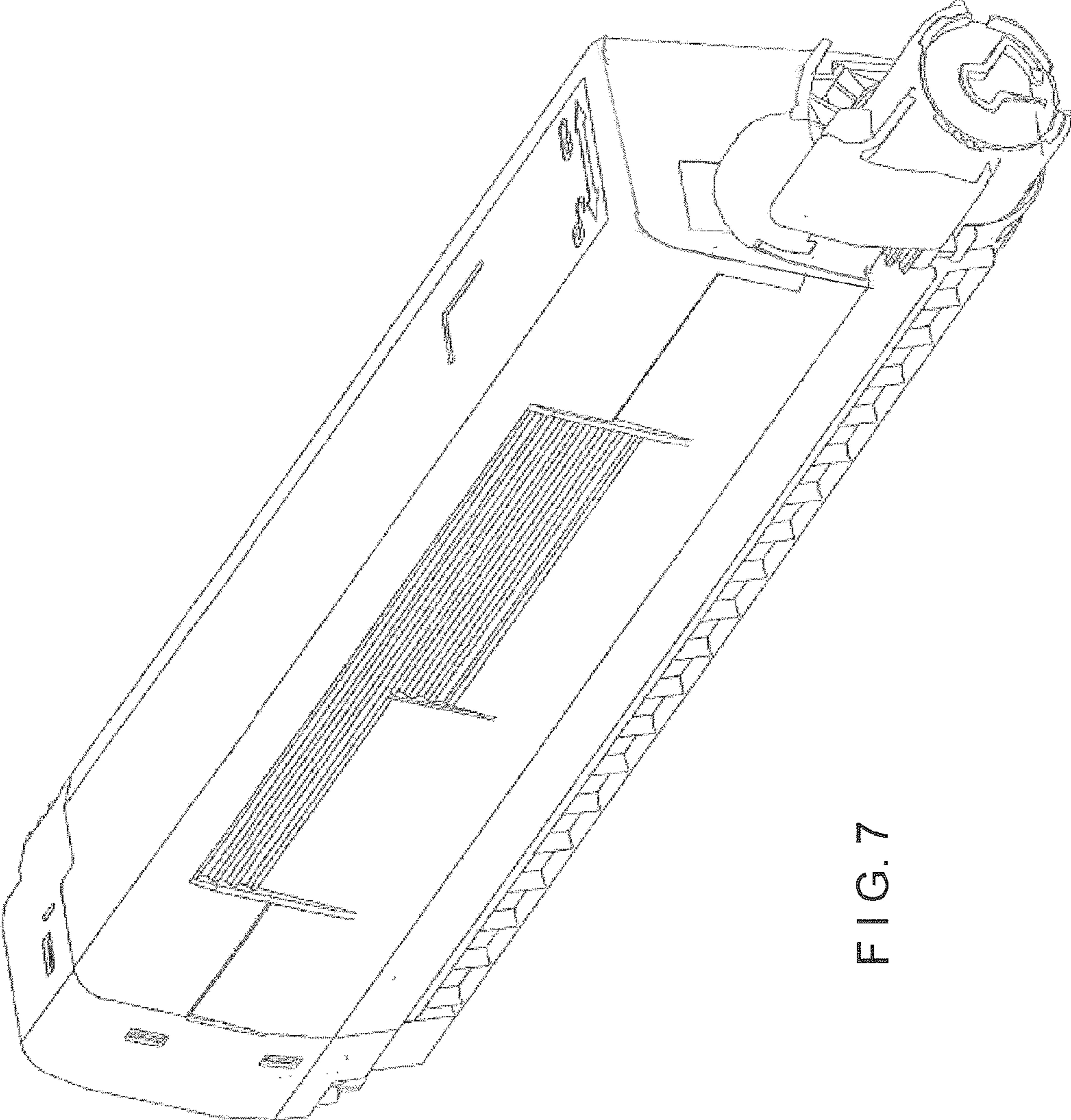


FIG. 7



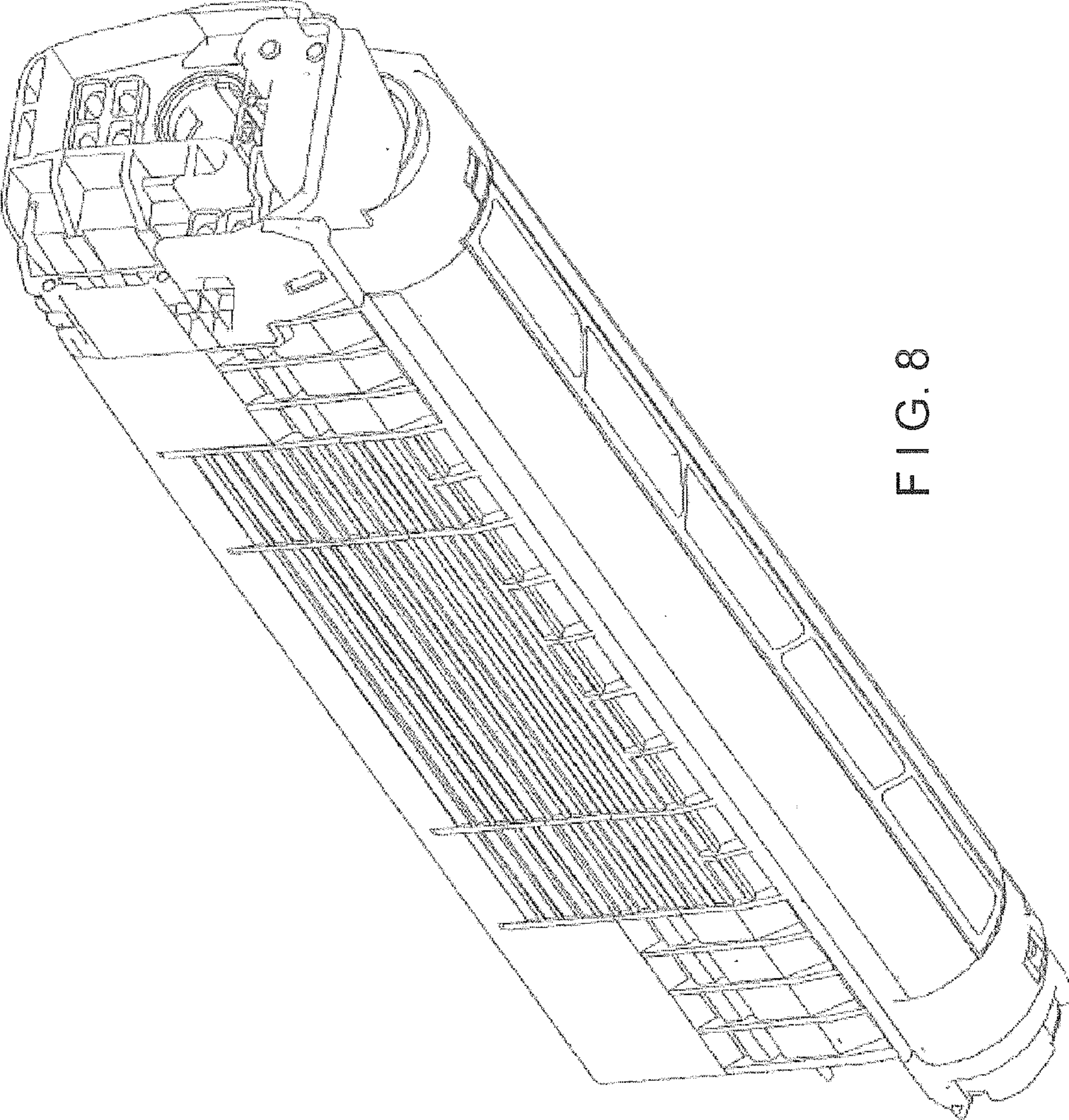


FIG. 8