



US00D763342S

(12) **United States Design Patent**  
**Kim et al.**

(10) **Patent No.:** **US D763,342 S**

(45) **Date of Patent:** **\*\* Aug. 9, 2016**

(54) **GRIP FOR DIGITAL CAMERA**

(71) Applicant: **Samsung Electronics Co., Ltd.**,  
Suwon-si (KR)

(72) Inventors: **In-Shik Kim**, Seongnam-si (KR); **Kenji Yamauchi**, Seoul (KR); **Joo-Hyung Lee**, Seoul (KR); **Chang-Sin Cho**, Seoul (KR)

(73) Assignee: **Samsung Electronics Co., Ltd.**,  
Suwon-si (KR)

(\*\*) Term: **14 Years**

(21) Appl. No.: **29/473,244**

(22) Filed: **Nov. 20, 2013**

(30) **Foreign Application Priority Data**

May 21, 2013 (KR) ..... 30-2013-0026340

(51) **LOC (10) Cl.** ..... **16-05**

(52) **U.S. Cl.**  
USPC ..... **D16/219**

(58) **Field of Classification Search**  
USPC ..... D16/200, 202–206, 208, 218, 219, 242;  
348/373–376; 396/535, 539–541  
CPC ..... G03B 15/03; G03B 17/02; G03B 17/04;  
G03B 17/56; G03B 19/04; H04N 5/2251;  
H04N 5/2252; H04N 5/2253; H04N 5/2254;  
H04N 2101/00  
See application file for complete search history.

(56) **References Cited**

**U.S. PATENT DOCUMENTS**

D640,720 S \* 6/2011 Yoshii ..... D16/202  
D653,275 S \* 1/2012 Sakai ..... D16/202  
8,233,082 B2 \* 7/2012 Yamamoto ..... G03B 17/02  
348/373  
D682,906 S \* 5/2013 Uemachi ..... D16/202  
D688,719 S \* 8/2013 Imai ..... D16/202

D695,803 S \* 12/2013 Kyunghan ..... D16/202  
D695,807 S \* 12/2013 Tainaka ..... D16/202  
D695,808 S \* 12/2013 Takahashi ..... D16/202  
D712,948 S \* 9/2014 Chai ..... D16/202  
D728,653 S \* 5/2015 Kim ..... D16/202  
2014/0063336 A1 \* 3/2014 Choi ..... H04N 5/2252  
348/374

\* cited by examiner

*Primary Examiner* — Susan E Krakower

*Assistant Examiner* — Ramzi Almatrahi

(74) *Attorney, Agent, or Firm* — NSIP Law

(57) **CLAIM**

The ornamental design for a grip for digital camera, as shown and described.

**DESCRIPTION**

FIG. 1 is a front perspective view of a grip for digital camera showing my new design;

FIG. 2 is a front view thereof;

FIG. 3 is a rear view thereof;

FIG. 4 is a left-side view thereof;

FIG. 5 is a right-side view thereof;

FIG. 6 is a top view thereof;

FIG. 7 is a bottom view thereof;

FIG. 8 is an enlarged view of the encircled portion as shown in FIG. 1;

FIG. 9 is an enlarged view of the encircled portion as shown in FIG. 2;

FIG. 10 is an enlarged view of the encircled portion as shown in FIG. 3; and,

FIG. 11 is an enlarged view of the encircled portion as shown in FIG. 7.

The broken lines illustrating portions of the grip for digital camera are for environmental purposes only and form no part of the claimed design.

The dot-dash broken lines encircling portions of the claimed design that are illustrated in enlargements form no part of the claimed design.

**1 Claim, 6 Drawing Sheets**

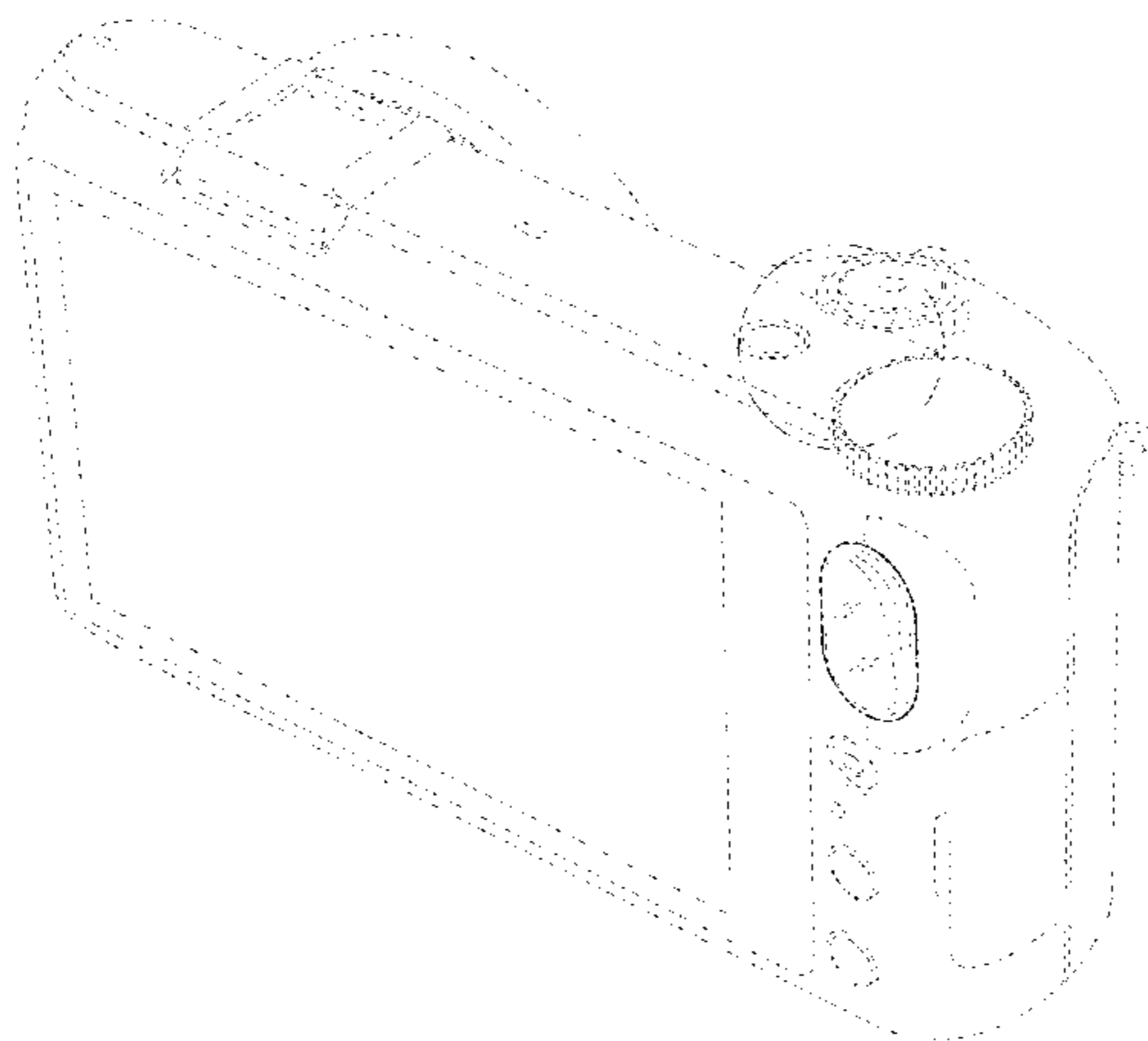


FIG.1

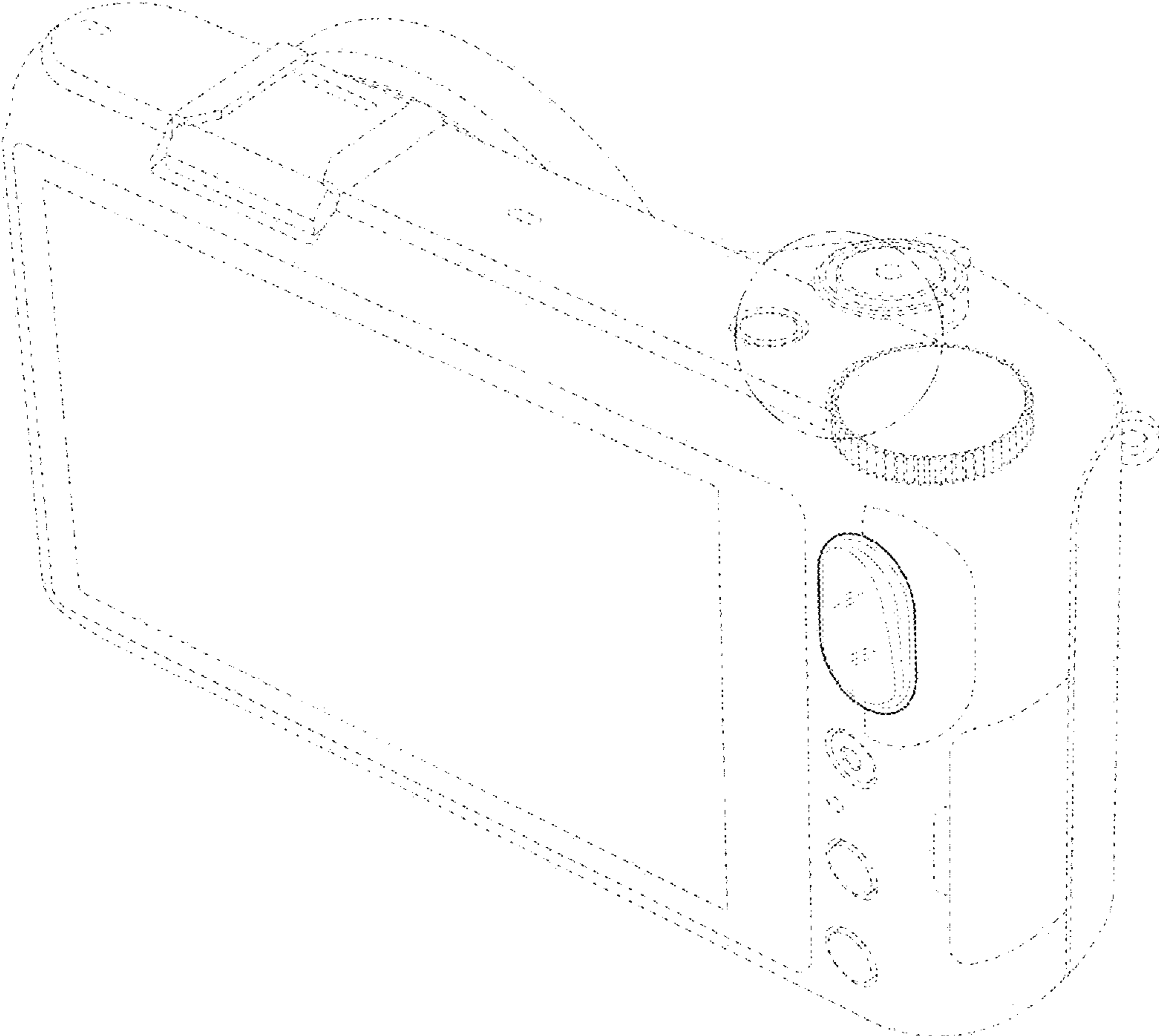


FIG.2

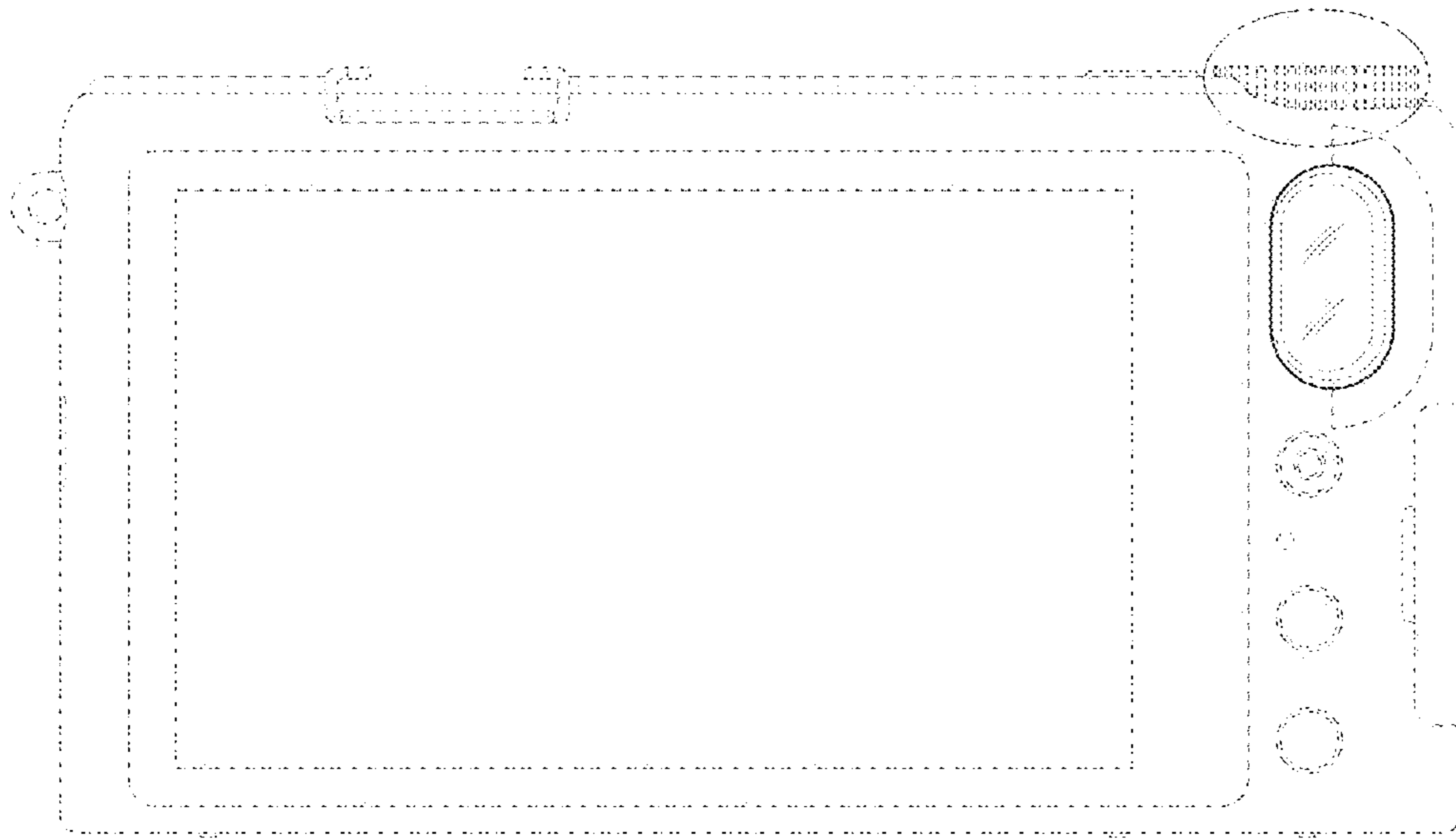


FIG.3

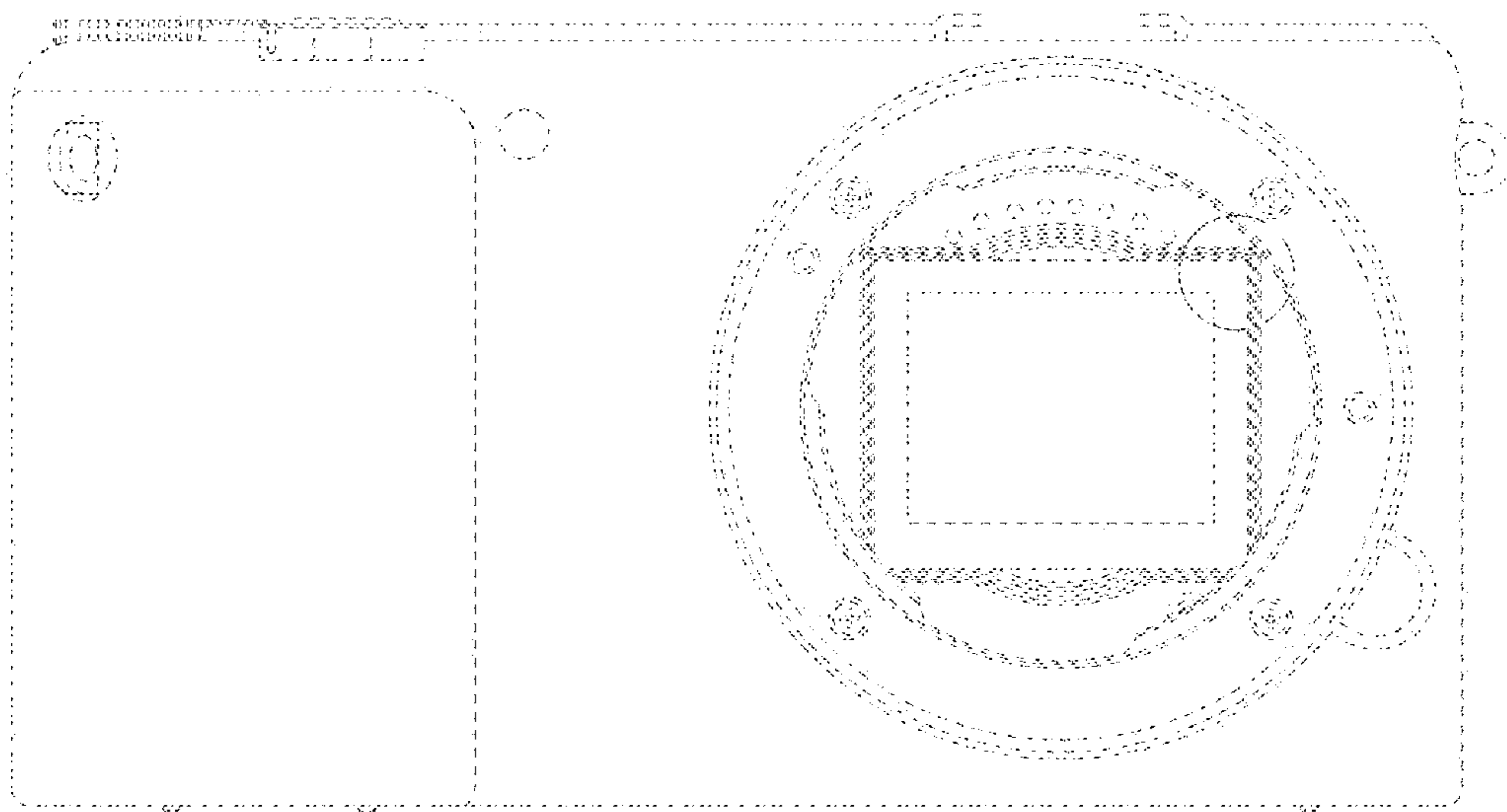


FIG.4

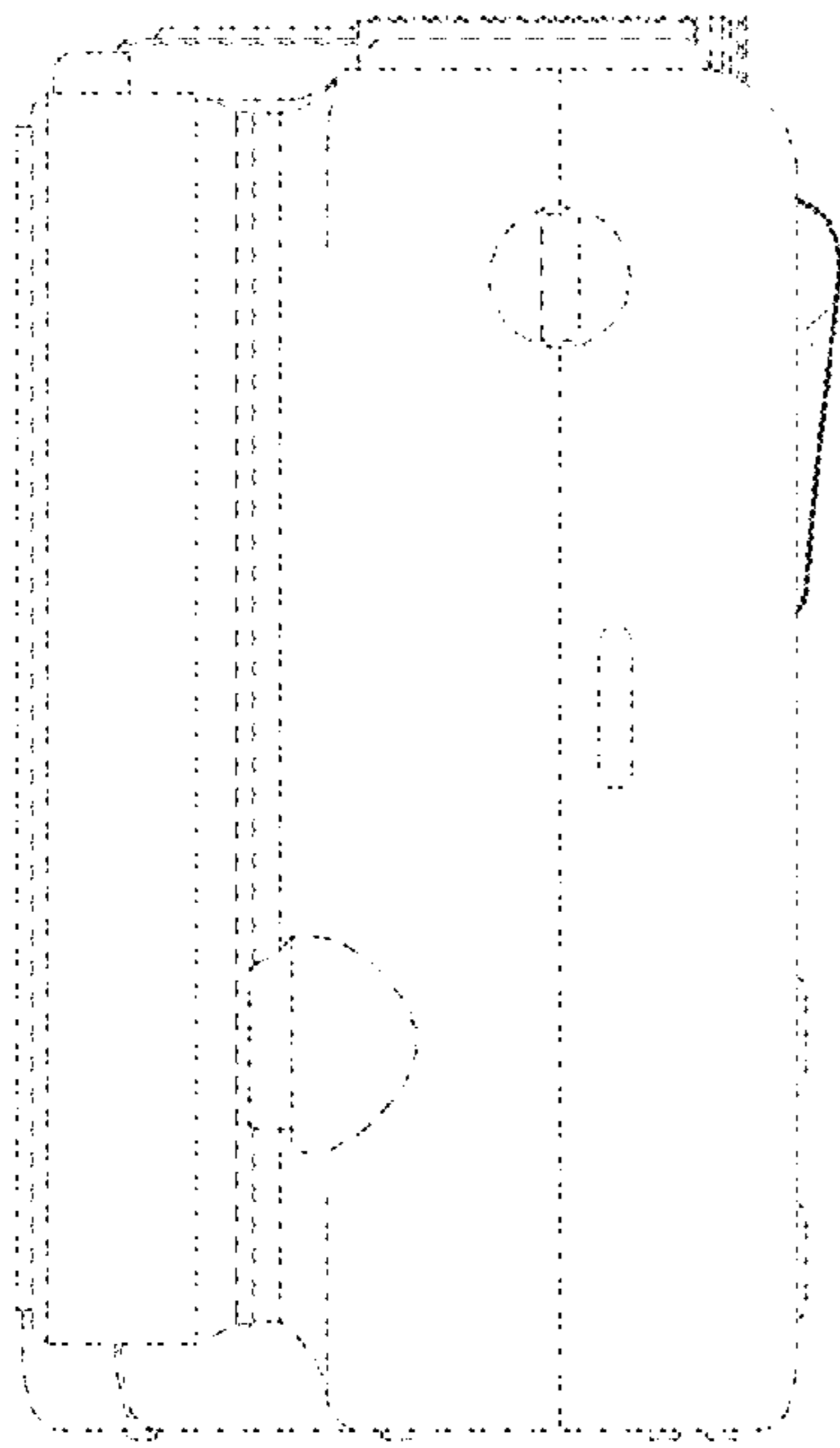


FIG.5

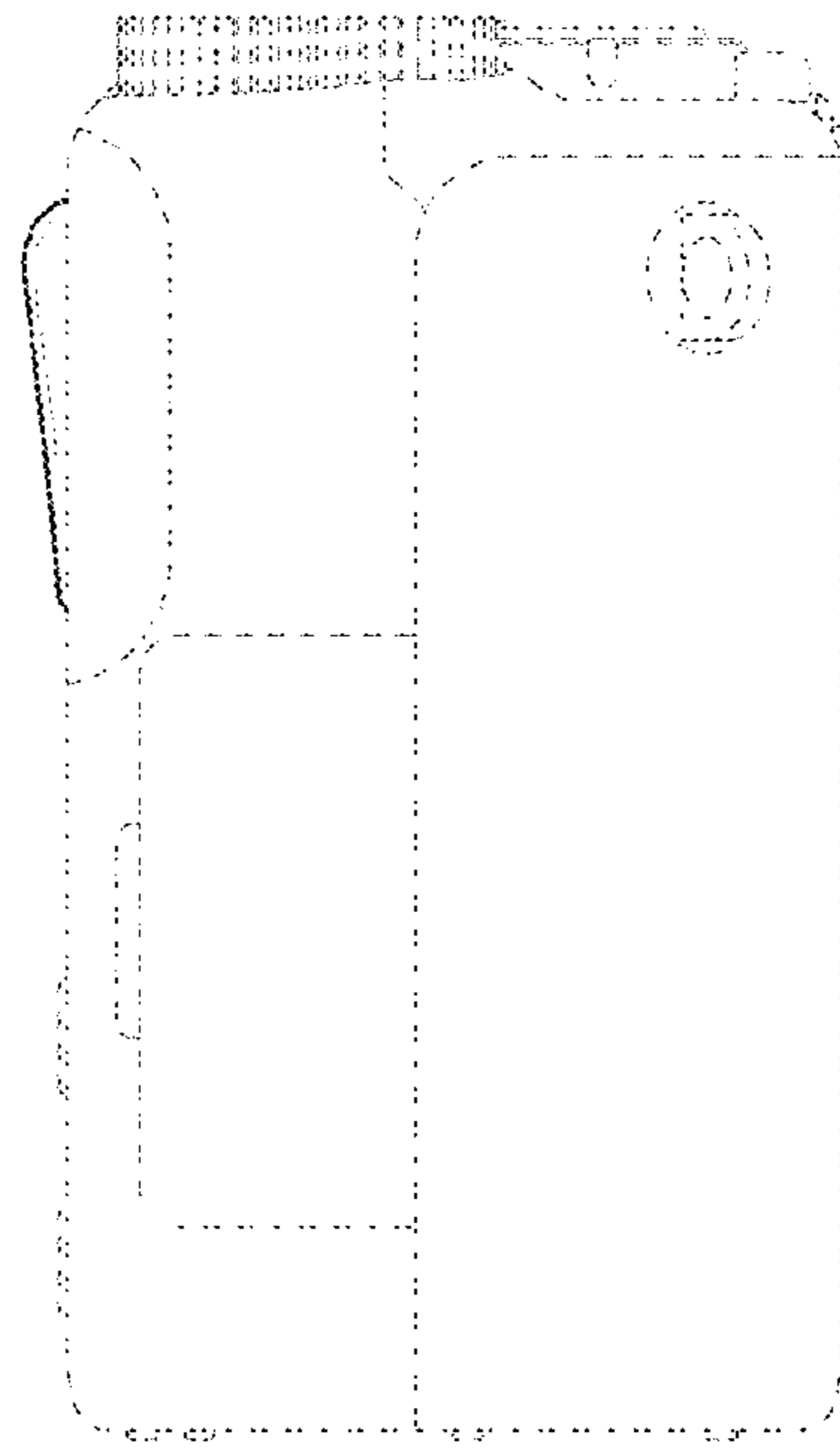


FIG.6

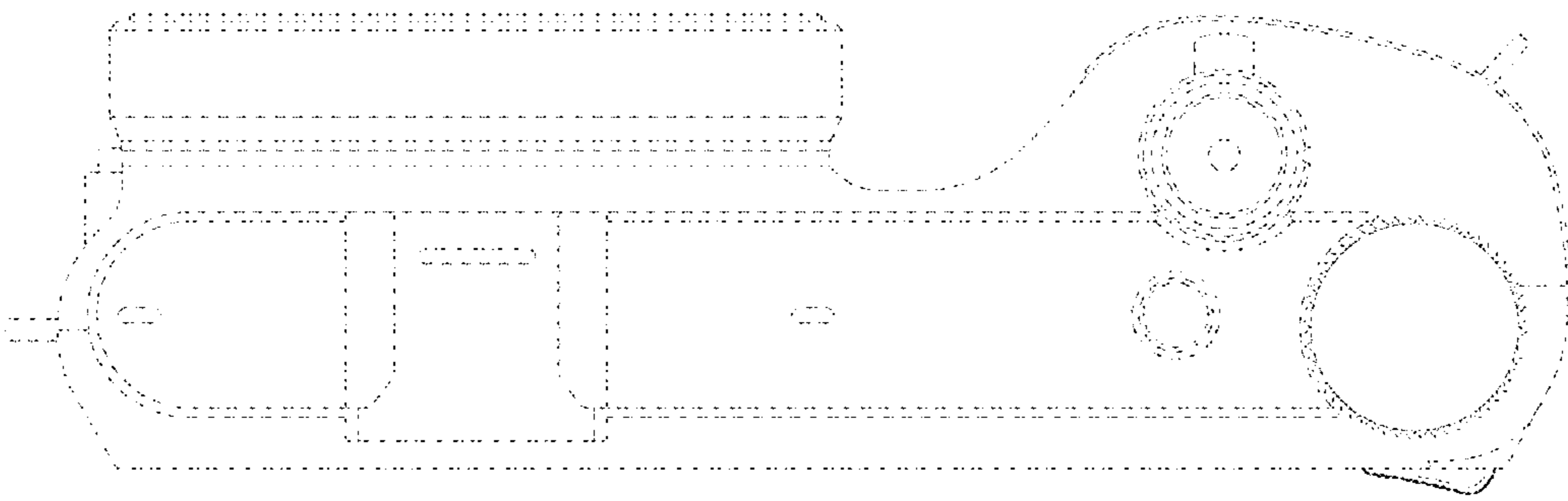


FIG.7

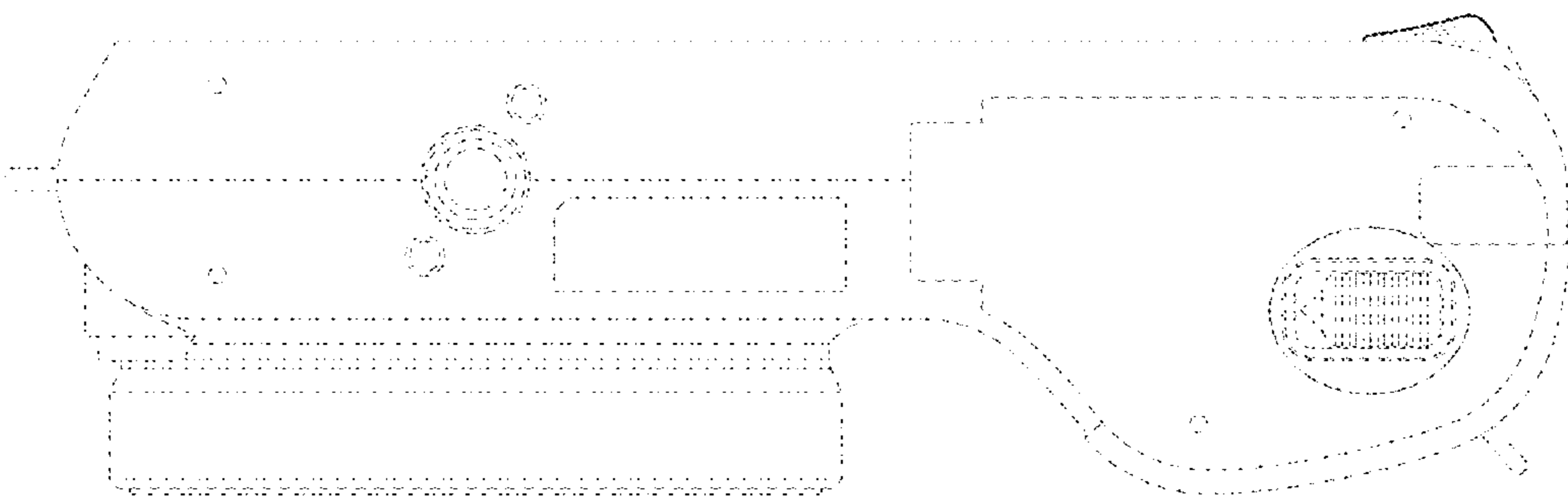


FIG.8

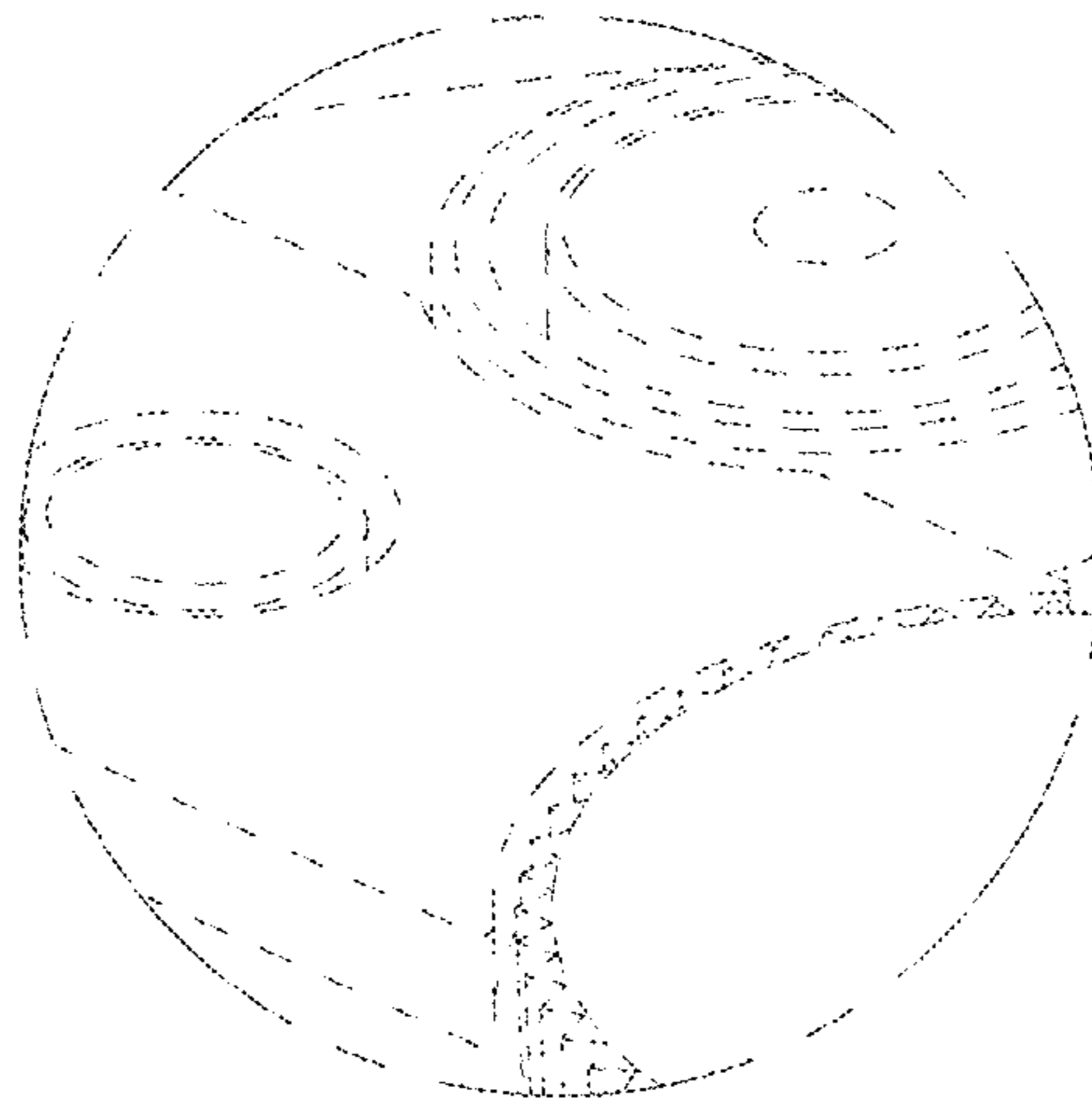


FIG.9

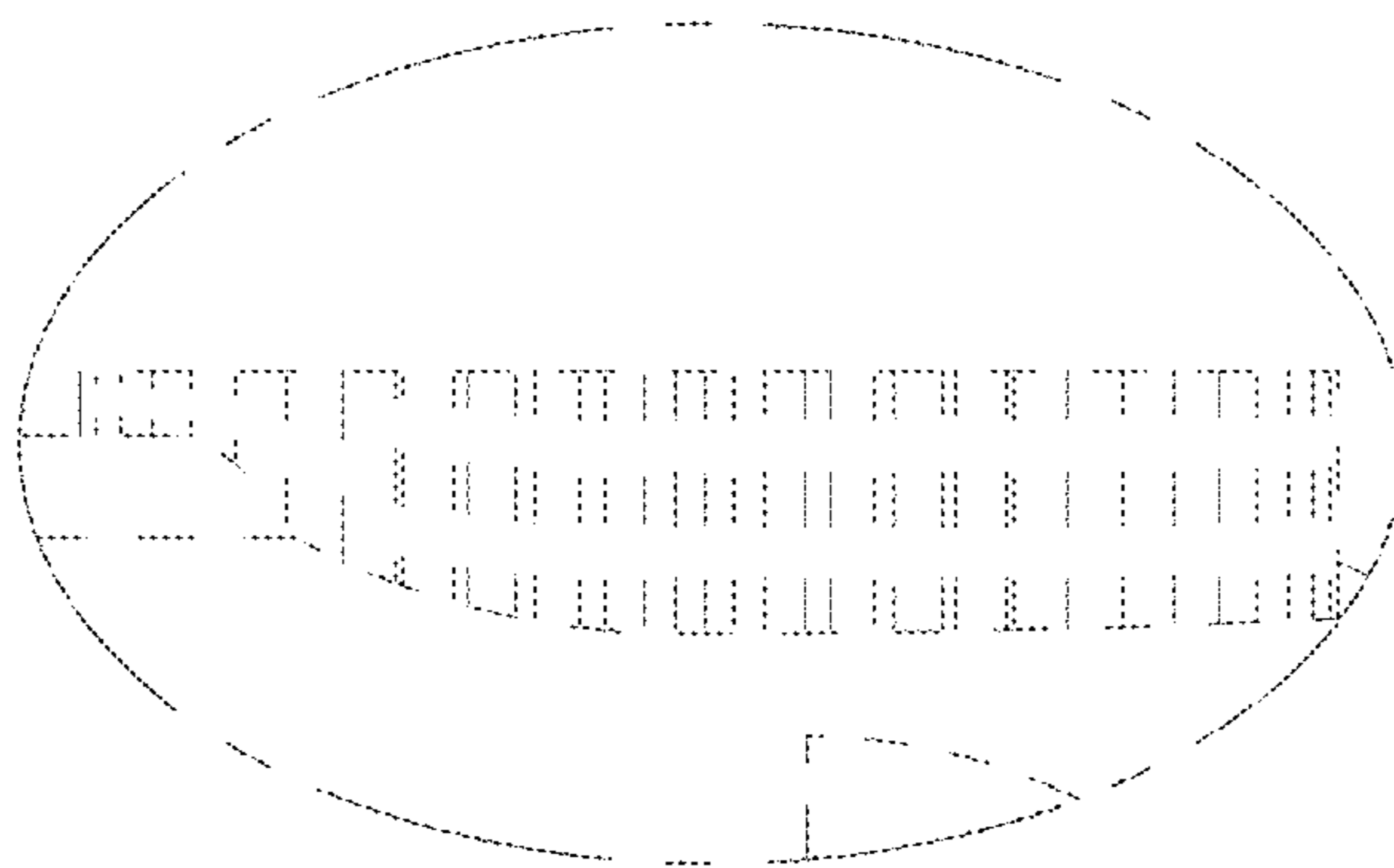


FIG. 10

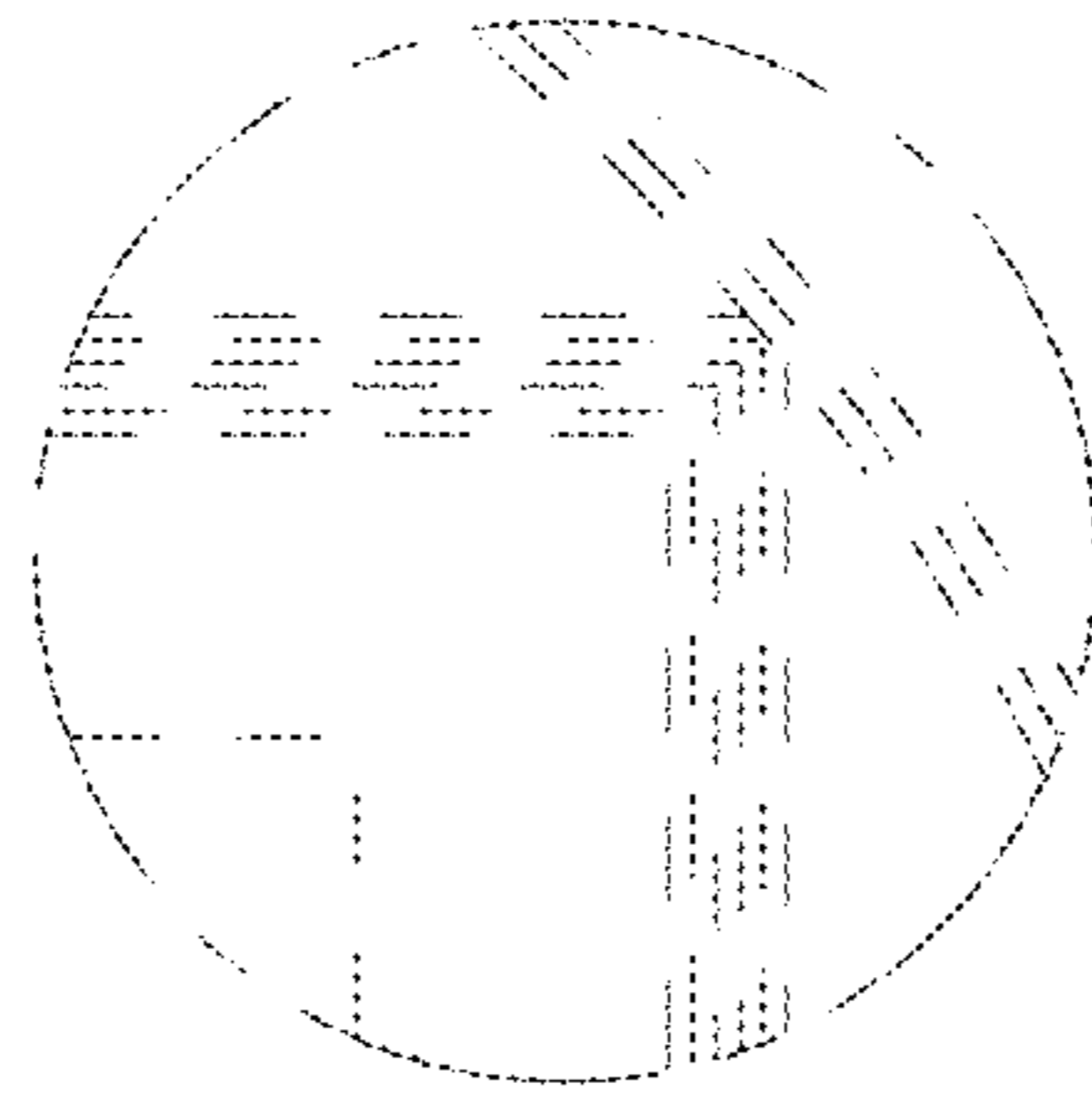


FIG. 11

