



US00D763341S

(12) **United States Design Patent**
Hinkel

(10) **Patent No.:** **US D763,341 S**

(45) **Date of Patent:** **** Aug. 9, 2016**

- (54) **SURVEILLANCE CAMERA**
- (71) Applicant: **Ralf Hinkel**, Horingen (DE)
- (72) Inventor: **Ralf Hinkel**, Horingen (DE)
- (73) Assignee: **MOBOTIX AG** (DE)
- (**) Term: **15 Years**
- (21) Appl. No.: **29/548,066**
- (22) Filed: **Dec. 10, 2015**

Related U.S. Application Data

- (62) Division of application No. 29/450,614, filed on Mar. 20, 2013.

Foreign Application Priority Data

- Sep. 21, 2012 (DE) 40 2012 004 445
- (51) **LOC (10) Cl.** **16-01**
- (52) **U.S. Cl.**
USPC **D16/203**
- (58) **Field of Classification Search**
USPC D16/200, 202–204, 207, 208, 210, 218,
D16/219, 222; D12/400; 340/937; 348/143,
348/148, 151, 360, 373–376; 396/427, 429,
396/529, 535, 539–541; 359/826–828
CPC G03B 15/03; G03B 17/02; G03B 17/04;
G03B 17/48; G03B 17/56; G03B 19/04;
G08G 1/0175; H04N 5/2251; H04N 5/2252;
H04N 5/2253; H04N 5/2254; H04N 2101/00
See application file for complete search history.

References Cited

U.S. PATENT DOCUMENTS

- 6,115,197 A 9/2000 Funahashi
- D455,166 S 4/2002 Raad et al.

- 6,860,654 B1 3/2005 Ching-Wen
- D523,057 S 6/2006 Watanabe
- D554,168 S 10/2007 Shi et al.
- D598,039 S 8/2009 Owada
- D610,186 S 2/2010 Jannard et al.
- D621,435 S * 8/2010 Green D16/202
- D629,435 S * 12/2010 Barley D16/202
- D664,580 S 7/2012 Sigward
- D666,660 S * 9/2012 Amit D16/203
- D680,142 S * 4/2013 Weiss D16/200
- D686,267 S * 7/2013 Mihara D16/202
- D690,346 S * 9/2013 Woolley D16/200
- D694,797 S * 12/2013 Parker D16/202
- D696,329 S * 12/2013 Horiki D16/203
- D702,750 S 4/2014 Yoon
- D704,759 S 5/2014 Park et al.
- D721,753 S * 1/2015 Park D16/202
- D730,967 S 6/2015 O'Neill et al.
- D730,968 S 6/2015 O'Neill et al.
- D750,681 S * 3/2016 Takami D16/202
- D751,129 S * 3/2016 Lellky D16/203

* cited by examiner

Primary Examiner — Susan E Krakower

Assistant Examiner — Ramzi Almatrahi

(74) *Attorney, Agent, or Firm* — Salter & Michaelson

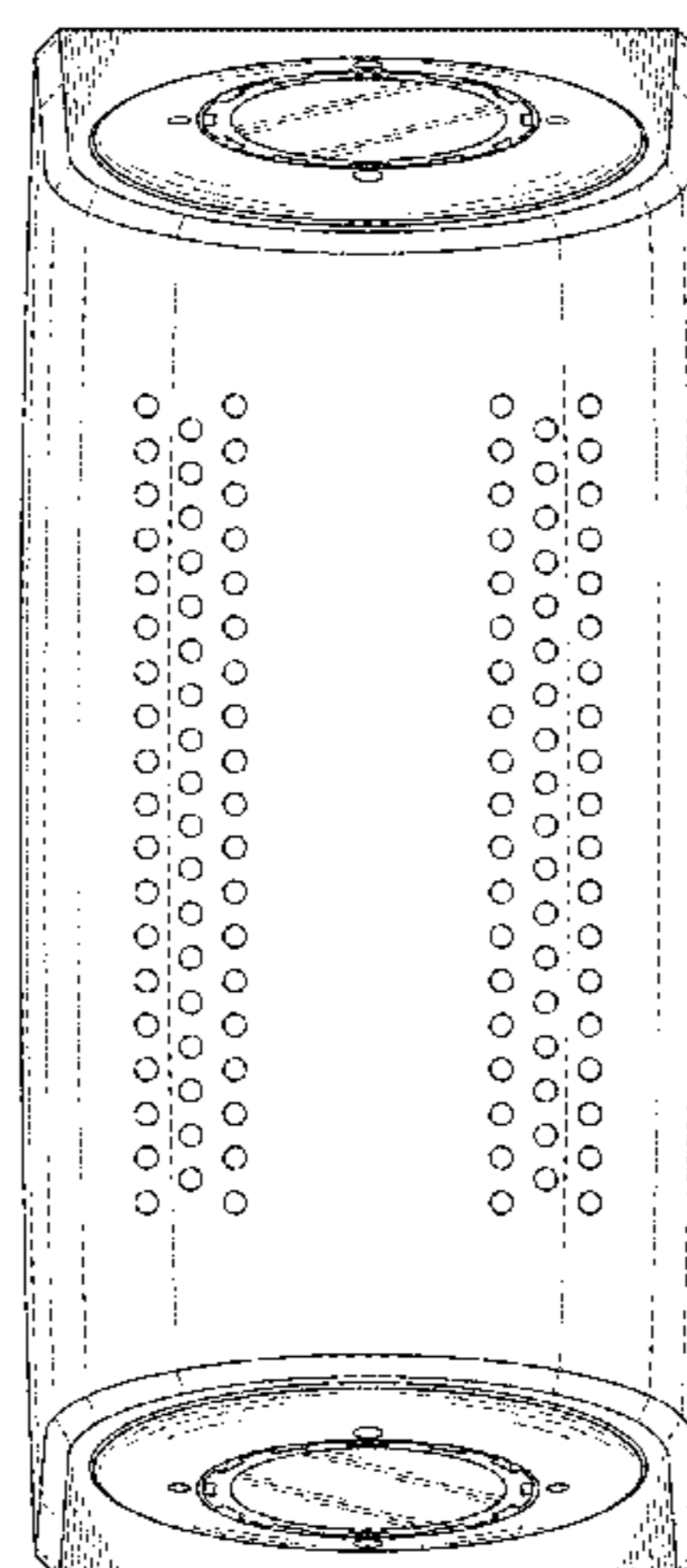
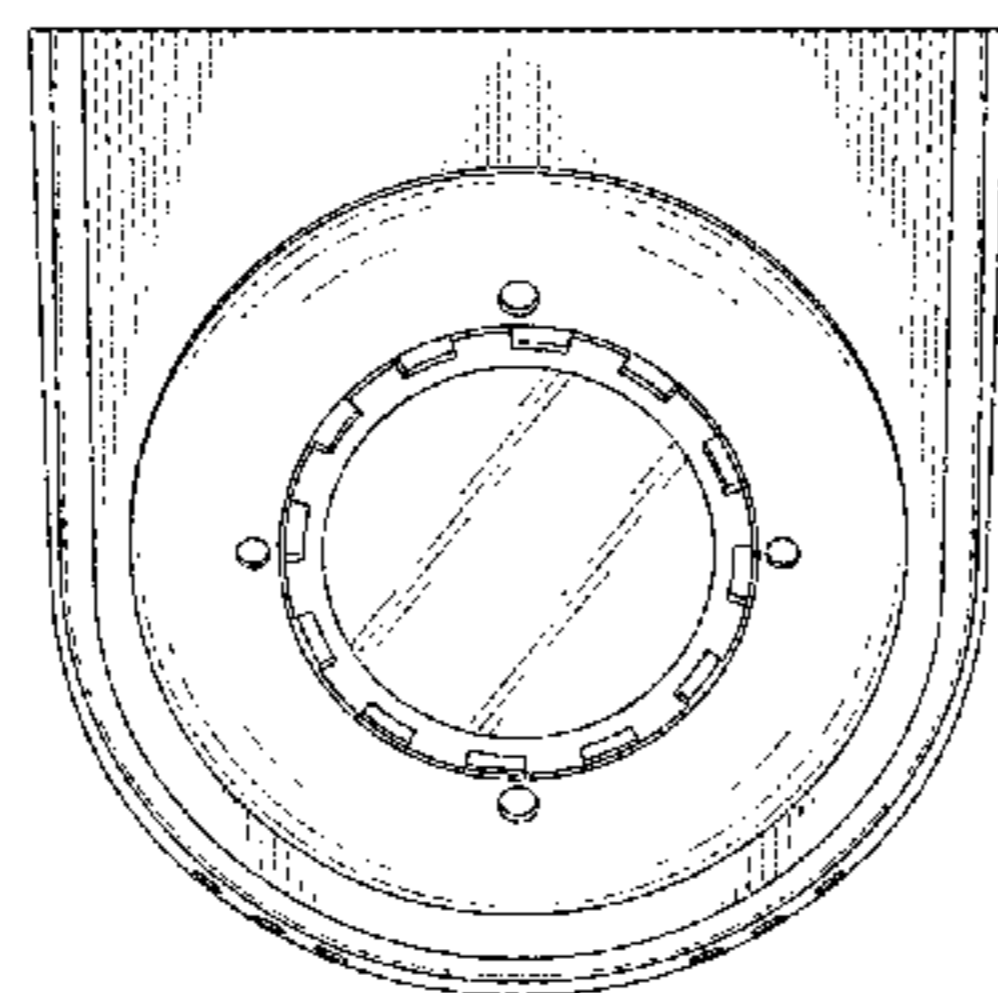
(57) **CLAIM**

The ornamental design for a surveillance camera, as shown and described.

DESCRIPTION

FIG. 1 is a front perspective view of a surveillance camera; FIG. 2 is a rear perspective view thereof; FIG. 3 is a left side elevational view thereof; FIG. 4 is a right side elevational view thereof; FIG. 5 is a top perspective view thereof; and, FIG. 6 is a bottom perspective view thereof. The broken lines depict portions of a surveillance camera in which the design is embodied and form no part of the claimed design.

1 Claim, 6 Drawing Sheets



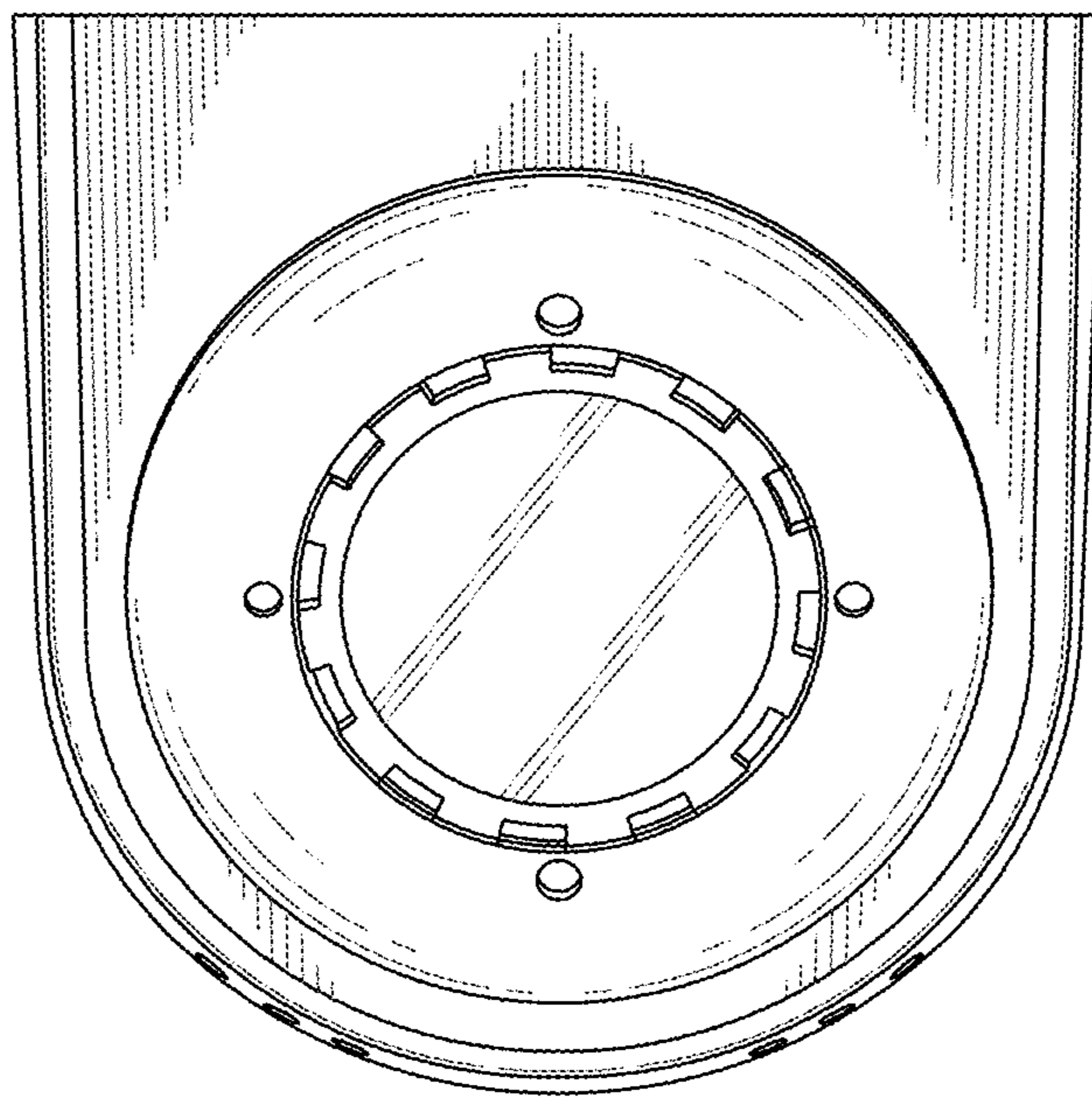


FIG. 1

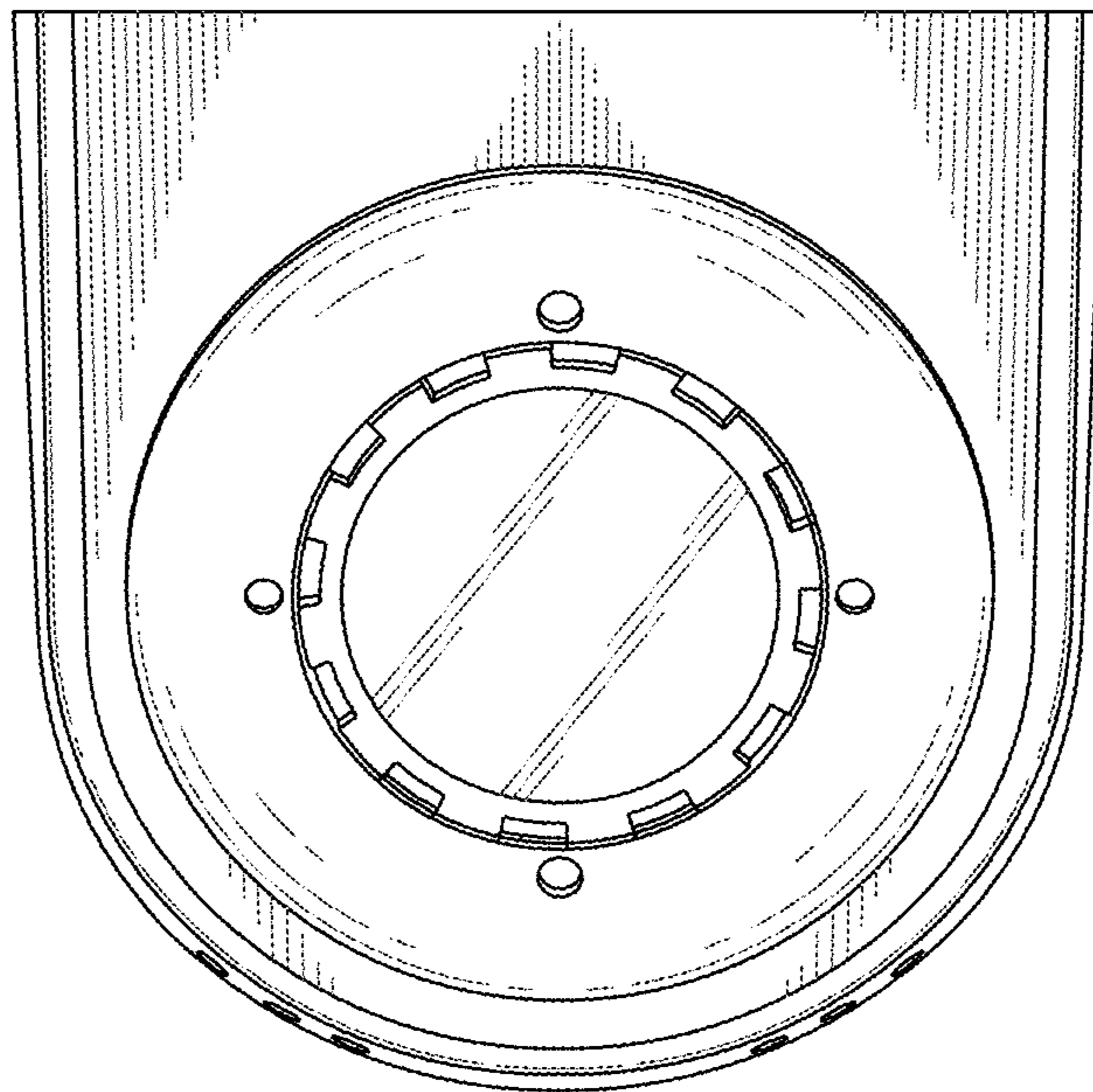


FIG. 2

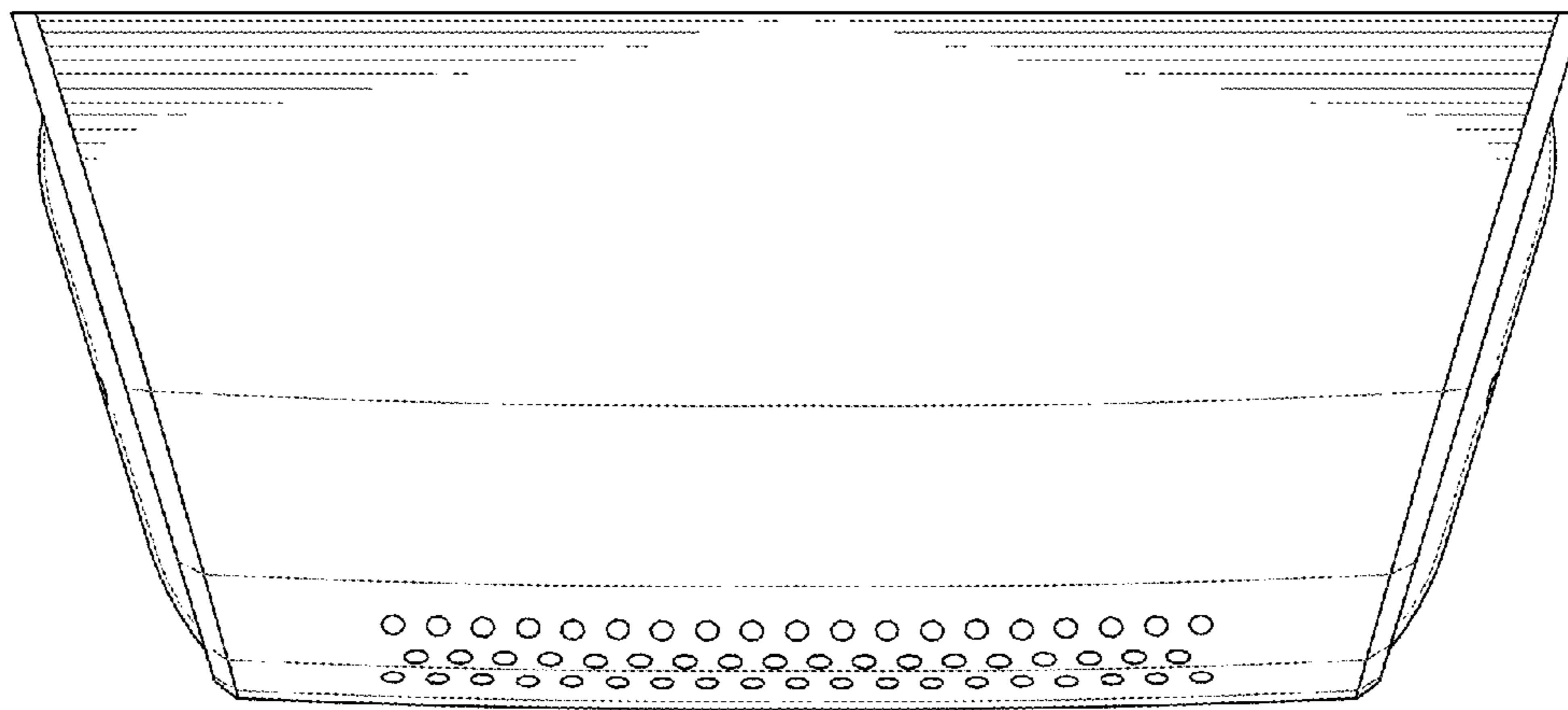


FIG. 3

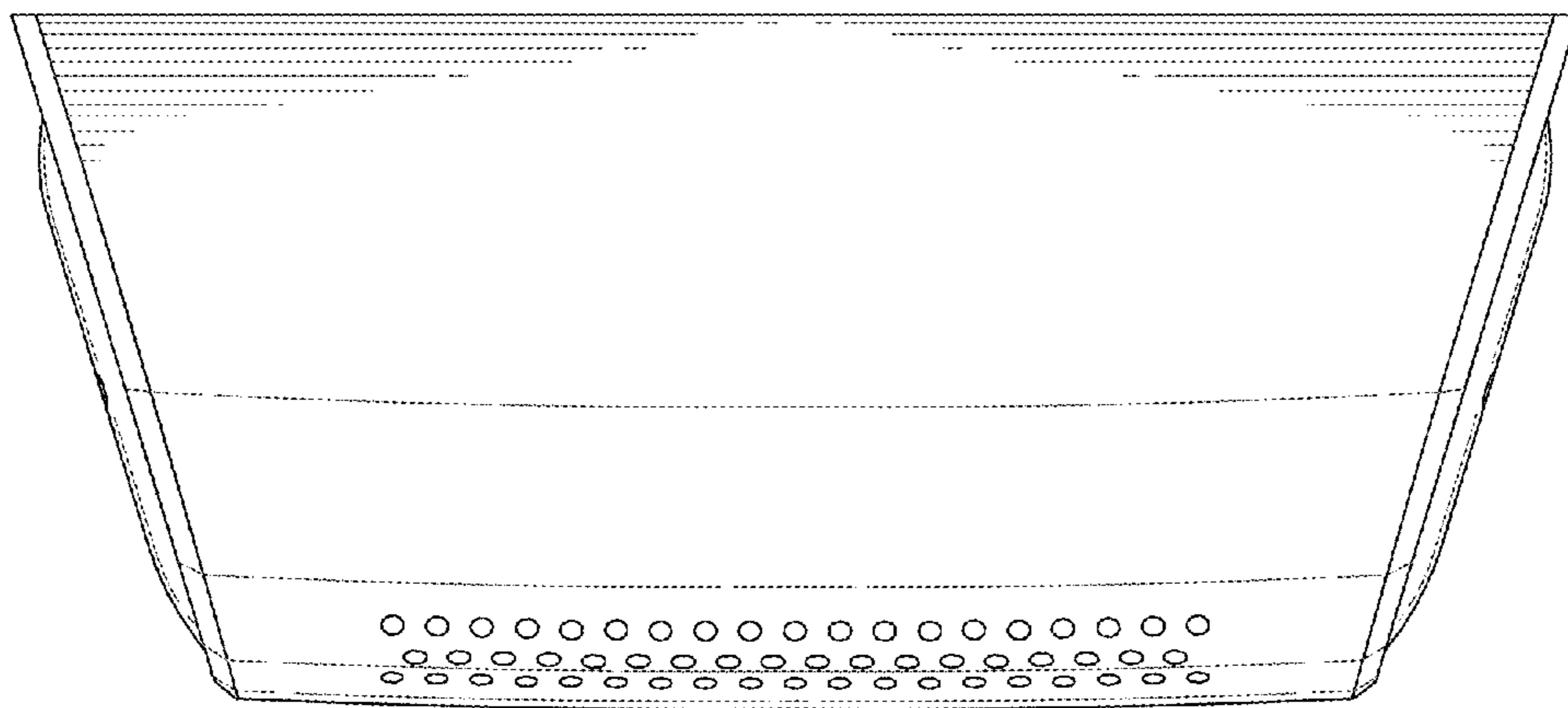


FIG. 4

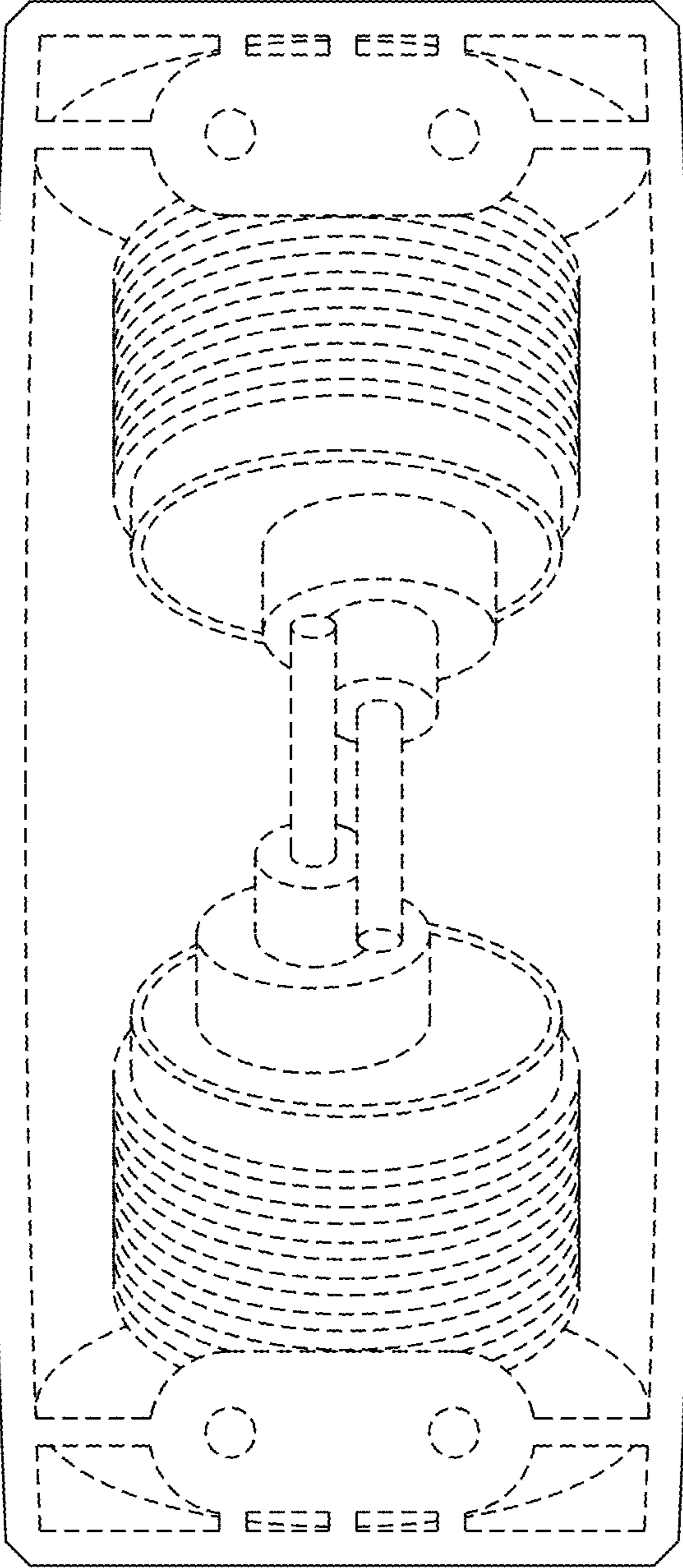


FIG. 5

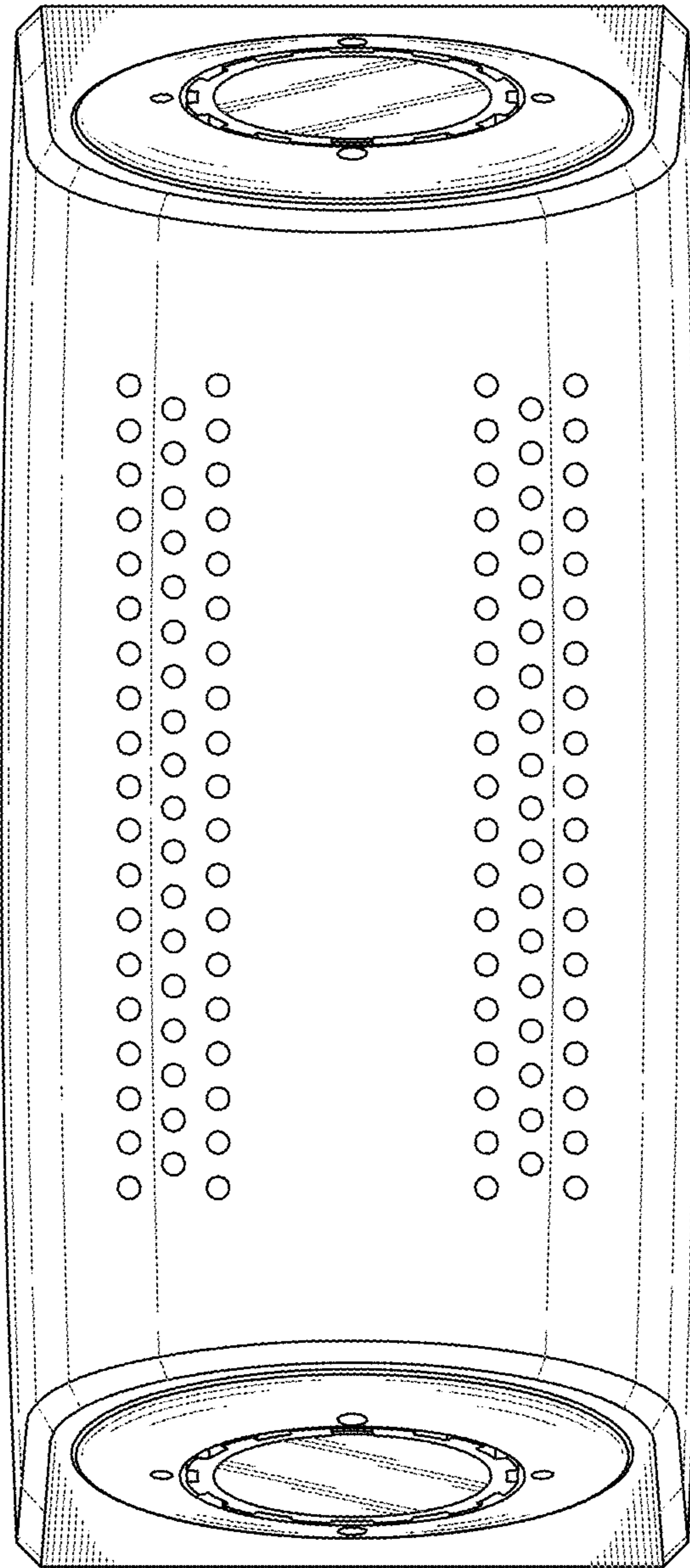


FIG. 6