

US00D763340S

(12) **United States Design Patent**
O'Neill et al.

(10) **Patent No.:** **US D763,340 S**

(45) **Date of Patent:** **** Aug. 9, 2016**

(54) **OPTICAL COMPONENT**

(71) Applicant: **olloclip, LLC**, Huntington Beach, CA (US)

(72) Inventors: **Patrick D. O'Neill**, Huntington Beach, CA (US); **Chong Pak**, Lakewood, CA (US); **Joshua Cantor**, Huntington Beach, CA (US); **Ryan Nguyen**, Fountain Valley, CA (US); **Jason Patrick**, Long Beach, CA (US); **Daniel Arato**, Los Angeles, CA (US)

(73) Assignee: **olloclip, LLC**, Huntington Beach, CA (US)

(**) Term: **14 Years**

(21) Appl. No.: **29/504,213**

(22) Filed: **Oct. 2, 2014**

(51) **LOC (10) Cl.** **16-06**

(52) **U.S. Cl.**
USPC **D16/130**

(58) **Field of Classification Search**
USPC D10/78; D14/240, 251, 358, 432, 433;
D16/130, 134, 136, 154, 208, 219;
92/161; 359/544, 808, 811, 818, 819,
359/823, 824, 826-828; 362/365; 396/529;
455/90.3, 556.1, 567, 569.1, 575.1,
455/575.8
CPC H04M 1/0264; G02B 7/14; G02B 7/02;
G02B 13/001; G02B 13/003; G02B 13/005
See application file for complete search history.

(56) **References Cited**

U.S. PATENT DOCUMENTS

971,798 A 10/1910 Somdal
D48,816 S 4/1916 De Ville
D138,816 S 9/1944 Glasser
D141,692 S 6/1945 Nemeth

2,428,719 A 10/1947 Nemeth
D148,816 S 2/1948 Pemstein
D181,908 S 1/1958 Hertzler
D183,253 S 7/1958 Gebele
3,090,282 A 5/1963 Angenieux
3,133,140 A 5/1964 Winchell

(Continued)

FOREIGN PATENT DOCUMENTS

CN 1797169 A 7/2006
CN 201173987 Y 12/2008

(Continued)

OTHER PUBLICATIONS

http://www.bhphotovideo.com/c/product/1091967-REG/olloclip_oc_eu_iph5_sbk_1_selfie_3_in_1_lens_for.html Retrieved Dec. 1, 2015.*

(Continued)

Primary Examiner — Susan Bennett Hattan

Assistant Examiner — Leanne Was

(74) *Attorney, Agent, or Firm* — Knobbe, Martens, Olson & Bear, LLP

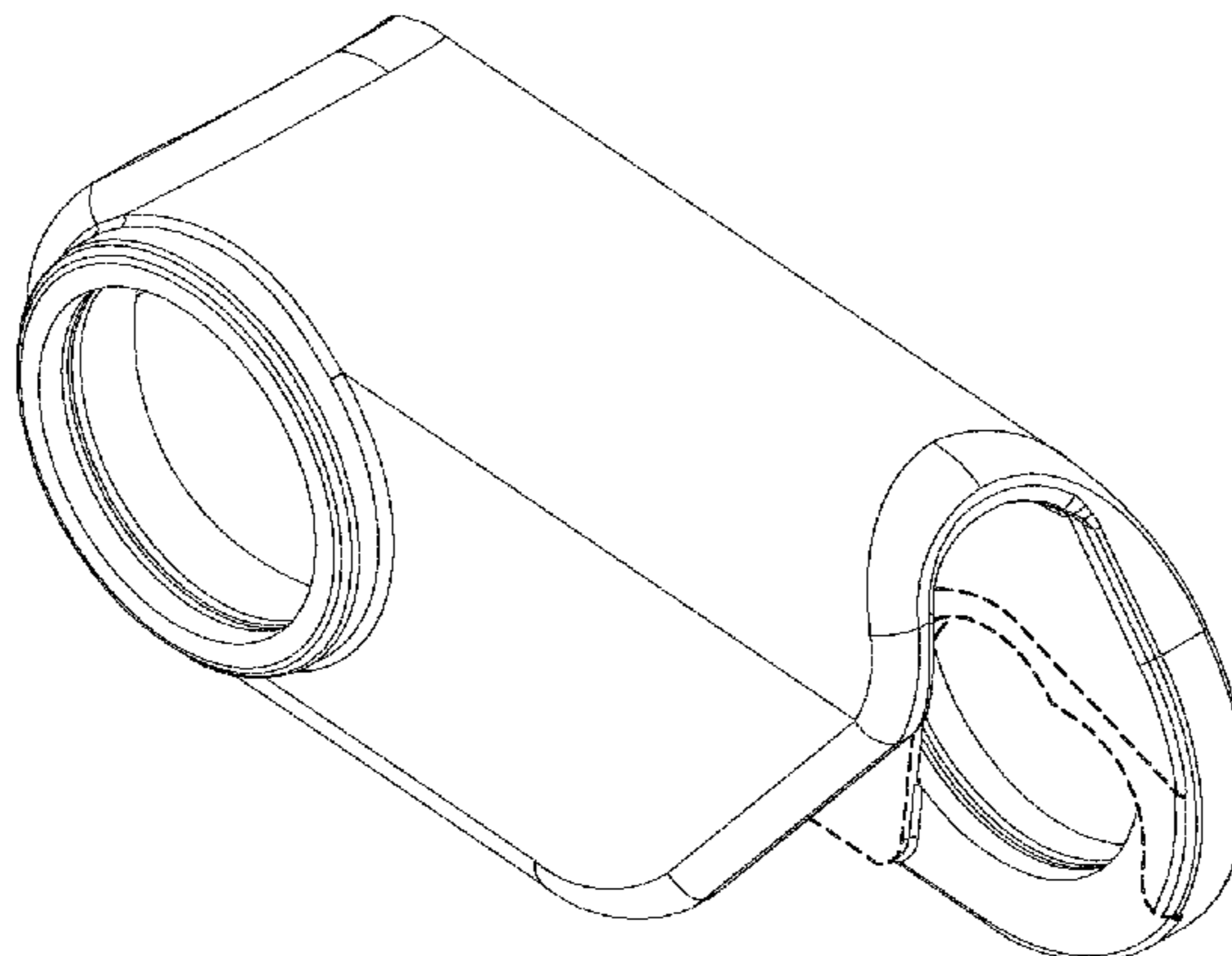
(57) **CLAIM**

The ornamental design for an optical component, as shown and described.

DESCRIPTION

FIG. 1 is a front, top, and right side perspective view of an optical component;
FIG. 2 is a front side elevation view thereof;
FIG. 3 is a back side elevation view thereof;
FIG. 4 is a left side elevation view thereof;
FIG. 5 is a right side elevation view thereof;
FIG. 6 is a top plan view thereof; and,
FIG. 7 is a bottom plan view thereof.
The broken lines depict portions of the optical component that form no part of the claimed design.

1 Claim, 6 Drawing Sheets



(56)

References Cited

U.S. PATENT DOCUMENTS

3,138,060 A 6/1964 Eggert et al.
 3,454,323 A 7/1969 Dierks et al.
 3,620,149 A 11/1971 Ogihara
 3,680,461 A 8/1972 Amesbury et al.
 3,796,489 A 3/1974 Sone et al.
 3,817,601 A 6/1974 Colaiace et al.
 3,828,991 A 8/1974 Moore
 D234,007 S 12/1974 Ritter
 D248,160 S 6/1978 Feinbloom et al.
 4,264,167 A 4/1981 Plummer
 4,305,386 A 12/1981 Tawara
 D264,048 S 4/1982 Magner
 D274,336 S 6/1984 Huckenbeck
 D274,691 S 7/1984 Wallace
 D275,766 S 10/1984 Suzuki
 D295,871 S 5/1988 Charles
 4,760,510 A 7/1988 Lahti
 4,864,333 A 9/1989 Barber
 4,893,143 A 1/1990 Sheng-Huei
 5,050,963 A 9/1991 Murakami
 5,054,886 A 10/1991 Ozaki et al.
 5,311,358 A 5/1994 Pederson et al.
 5,416,544 A 5/1995 Stapleton
 5,455,711 A 10/1995 Palmer
 5,461,444 A 10/1995 Okura et al.
 D374,878 S 10/1996 Palmer
 D381,347 S 7/1997 Miyahara
 D387,787 S 12/1997 Palmer
 5,781,351 A 7/1998 Murakami et al.
 5,831,778 A 11/1998 Chueh
 6,115,197 A 9/2000 Funahashi
 6,545,825 B2 4/2003 Shoji et al.
 6,752,516 B1 6/2004 Beadle
 6,889,006 B2 5/2005 Kobayashi
 6,924,950 B2 8/2005 Gventer et al.
 6,967,790 B2 11/2005 Wei
 D544,512 S 6/2007 Huang
 D546,863 S 7/2007 Ito et al.
 D560,702 S 1/2008 Tokiwa et al.
 D574,837 S 8/2008 Hooks, Jr.
 7,600,932 B2 10/2009 Senba et al.
 7,604,423 B2 10/2009 Nagata et al.
 7,636,518 B2 12/2009 Tanaka et al.
 7,639,353 B2 12/2009 Rooke
 D617,360 S 6/2010 Endo et al.
 7,782,375 B2 8/2010 Chambers et al.
 D626,950 S * 11/2010 Roman D14/240
 7,830,628 B2 11/2010 Schaefer
 7,967,513 B2 6/2011 Zhang
 8,000,589 B2 8/2011 Chan
 8,040,621 B2 10/2011 Chang et al.
 D649,970 S 12/2011 Lyford et al.
 D650,821 S 12/2011 Verhey
 8,073,324 B2 12/2011 Tsai
 8,208,210 B2 6/2012 An et al.
 D669,587 S * 10/2012 Mayer D14/250
 8,279,544 B1 10/2012 O'Neill
 D678,379 S * 3/2013 O'Neill D14/511
 D686,265 S * 7/2013 O'Neill D16/134
 8,508,868 B2 8/2013 Weber et al.
 D692,472 S * 10/2013 Samuels D16/136
 8,573,810 B2 11/2013 Mahaffey et al.
 8,593,745 B2 11/2013 O'Neill
 D695,295 S 12/2013 Chumanov et al.
 D695,332 S * 12/2013 O'Neill D16/237
 D697,957 S 1/2014 Glasse et al.
 D697,958 S * 1/2014 O'Neill D16/134
 8,638,369 B2 1/2014 Tsai
 8,639,106 B1 1/2014 Gleason et al.
 D699,275 S * 2/2014 Samuels D16/136
 D700,228 S * 2/2014 O'Neill D16/134
 8,687,299 B1 * 4/2014 Sanford F16B 21/04
 359/827
 8,760,569 B2 6/2014 Yang
 D708,652 S 7/2014 Hyers

D708,653 S 7/2014 Hyers
 8,891,187 B2 11/2014 O'Neill
 D723,601 S * 3/2015 O'Neill D16/134
 D726,796 S 4/2015 O'Neill et al.
 D727,385 S * 4/2015 O'Neill D16/134
 D727,868 S * 4/2015 O'Neill D14/134
 9,007,522 B1 4/2015 O'Neill
 D730,967 S * 6/2015 O'Neill D16/219
 D730,968 S * 6/2015 O'Neill D16/219
 D730,969 S * 6/2015 O'Neill D16/219
 D740,878 S * 10/2015 O'Neill D16/237
 9,188,764 B2 * 11/2015 O'Neill G02B 7/14
 9,195,023 B2 11/2015 O'Neill et al.
 9,294,660 B2 3/2016 O'Neill et al.
 2004/0041911 A1 3/2004 Odagiri et al.
 2004/0218081 A1 11/2004 Lohr et al.
 2005/0088612 A1 4/2005 Smith et al.
 2005/0099526 A1 5/2005 Wu et al.
 2007/0049340 A1 3/2007 Wang et al.
 2007/0053682 A1 3/2007 Chang
 2007/0196090 A1 8/2007 Kubo
 2007/0275763 A1 11/2007 Sawadski et al.
 2007/0280677 A1 12/2007 Drake et al.
 2008/0037011 A1 2/2008 Rooke
 2008/0174891 A1 7/2008 Kudoh
 2009/0109558 A1 4/2009 Schaefer
 2009/0169198 A1 7/2009 Chang
 2009/0181729 A1 7/2009 Griffin, Jr. et al.
 2010/0048243 A1 2/2010 Fourquin et al.
 2010/0208369 A1 8/2010 Shin
 2010/0328420 A1 12/2010 Roman
 2011/0019294 A1 * 1/2011 Strong G02B 7/04
 359/823
 2011/0043683 A1 2/2011 Beach et al.
 2011/0110654 A1 5/2011 Maki
 2012/0157160 A1 6/2012 Ozcan et al.
 2012/0236425 A1 * 9/2012 O'Neill G02B 7/14
 359/827
 2013/0028591 A1 1/2013 Hicks
 2013/0094846 A1 4/2013 Apter
 2013/0148954 A1 6/2013 Uehara et al.
 2013/0206614 A1 8/2013 O'Neill et al.
 2014/0078594 A1 3/2014 Springer
 2014/0176690 A1 * 6/2014 Hamel G02B 27/026
 348/63
 2014/0227026 A1 * 8/2014 O'Neill G03B 15/06
 403/322.4
 2014/0320987 A1 10/2014 O'Neill
 2015/0002950 A1 * 1/2015 O'Neill G02B 7/14
 359/827
 2015/0042877 A1 * 2/2015 O'Neill H04N 5/2254
 348/376
 2015/0116851 A1 4/2015 O'Neill et al.
 2015/0172522 A1 6/2015 O'Neill et al.
 2015/0222315 A1 * 8/2015 O'Neill H04B 1/3888
 455/575.8
 2015/0293430 A1 * 10/2015 O'Neill G03B 17/565
 396/544
 2015/0370150 A1 12/2015 O'Neill et al.

FOREIGN PATENT DOCUMENTS

CN 301914880 5/2012
 EM 002558874-0001 10/2014
 EM 002586339-0002 11/2014
 JP 10-115858 5/1998
 JP H11-119335 4/1999
 JP 2000-311427 11/2000
 JP 2002-027292 1/2002
 JP 2003-295307 10/2003
 JP 2004-191897 7/2004
 JP 2006-251150 9/2006
 JP 2007-079362 3/2007
 JP 2007-206137 8/2007
 JP 2007-219433 8/2007
 KR 10-0842373 7/2008
 WO WO 2006/002674 1/2006
 WO WO 2012/082738 6/2012
 WO WO 2012/128936 9/2012

(56)

References Cited

FOREIGN PATENT DOCUMENTS

WO	WO 2013/081264	6/2013
WO	WO 2014/043266	3/2014
WO	WO 2015/048143	4/2015
WO	WO 2015/157244	10/2015
WO	WO 2015/195879	12/2015

OTHER PUBLICATIONS

Design U.S. Appl. No. 29/482,575 and prosecution history, filed Feb. 19, 2014, O'Neill et al.

Design U.S. Appl. No. 29/487,839 and prosecution history, filed Apr. 11, 2014, O'Neill et al.

Design U.S. Appl. No. 29/492,726 and prosecution history, filed Jun. 2, 2014, O'Neill et al.

Design U.S. Appl. No. 29/492,734 and prosecution history, filed Jun. 2, 2014, O'Neill et al.

Design U.S. Appl. No. 29/494,382 and prosecution history, filed Jun. 19, 2014, O'Neill et al.

Design U.S. Appl. No. 29/498,470 and prosecution history, filed Aug. 4, 2014, O'Neill et al.

Design U.S. Appl. No. 14/973,608 and prosecution history, filed Dec. 17, 2015, O'Neill.

"4 In One Samsung Lens—S3/S4/Note2/Note3," printed Nov. 9, 2014 in 7 pages, <http://www.camera-licious.com/4-in-one-Samsung-Phone-Camera-Lens-Wide-Angle-Macro-Fisheye-Lens>.

amazon.com, "Bosch PS91-1A 12-Volt Max Lithium-Ion Inspection Camera Kit with 36-inch and 48-inch Imager, (1) Battery and Case," printed Mar. 12, 2014 in 6 pages, <http://www.amazon.com/Bosch-PS91-1A-Lithium-Ion-Inspection-36-Inch/dp/B004W7J2DI>.

amazon.com, "Fish Eye lens + Wide Angle Lens + Macro Lens 3-in-1 Kit for iPod iPhone 4g," [Customer Reviews included] printed Feb. 3, 2012 in 10 pages.

amazon.com, "Universal Smart Phone Camera Lens Kit . . . ," [http://www.amazon.com/Universal-Camera-including-Telephoto-Microfiber/dp/B00AV3ZUQA/ref=sr_1_5?ie=UTF8&qid=1416511486&sr=8-5&](http://www.amazon.com/Universal-Camera-including-Telephoto-Microfiber/dp/B00AV3ZUQA/ref=sr_1_5?ie=UTF8&qid=1416511486&sr=8-5&keywords=universal+smart+phone+camera+lens+kit+including+one+12x+telephoto+manual+focus+lens)

[keywords=universal+smart+phone+camera+lens+kit+including+one+12x+telephoto+manual+focus+lens](http://www.amazon.com/Universal-Camera-including-Telephoto-Microfiber/dp/B00AV3ZUQA/ref=sr_1_5?ie=UTF8&qid=1416511486&sr=8-5&keywords=universal+smart+phone+camera+lens+kit+including+one+12x+telephoto+manual+focus+lens), [Customer Review Dated Jan. 27, 2013] printed Nov. 9, 2014 in 7 pages.

ePHOTOzine, "Olloclip 3-In-One iPhone Photo Lens Review", <http://www.ephotozine.com/article/olloclip-3-in-one-iphone-photo-lens-review-18816>, Mar. 23, 2012 in 7 pages.

Focal, "Auxiliary Lens Set for Kodak Disc Camera", circa 1980s (photograph).

Gizmon, "Gizmon Smart Clip", as archived Jan. 28, 2016 in 3 pages, <http://web.archive.org/web/20160128231755/http://gizmon.com/gizmon-smartclip/>.

kickstarter.com, "Glif—iPhone 4 Tripod Mount & Stand", <http://www.kickstarter.com/projects/danprovost/glif-iphone-4-tripod-mount-and-stand>, Oct. 3, 2013 [Selected screenshots from video].

"Olloclip for Android?," printed Nov. 9, 2014 in 3 pages, <http://forum.xda-developers.com/showthread.php?t=1721172s> [Specifically Comment Dated Jul. 22, 2013].

"Phoneboat" <http://web.archive.org/web/20130415040755/http://www.phoneboat.com/buy.html> as captured Apr. 15, 2013 in 1 page.

Photography Blog, "Olloclip Contest Winners", http://www.photographyblog.com/news/win_an_olloclip/, Apr. 30, 2013, pp. 2.

thinkbiologic.com, "Bike Mount for iPhone 4—Biologic Bicycle Accessories and Bike Gear," printed Mar. 12, 2014 in 2 pages, <http://web.archive.org/web/20130117201439/http://www.thinkbiologic.com/products/bike-mount-iphone-4>.

Strietelmeier, Julie, "Use Your 37mm DSLR Lenses with your Samsung Galaxy S4," Jun. 9, 2013, <http://the-gadgeteer.com/2013/06/09/use-your-37mm-dslr-lenses-with-your-samsung-galaxy-s4/>.

Uncrate, "Olloclip", <http://web.archive.org/web/20130120204350/http://uncrate.com/stuff/olloclip/> as captured Jan. 20, 2013 in 2 pages.

youtube.com, "iPhone Colon Exam by Norm Augustinus," printed Mar. 12, 2014 in 1 page, www.youtube.com/watch?v=S3pE8h8R-cE.

* cited by examiner

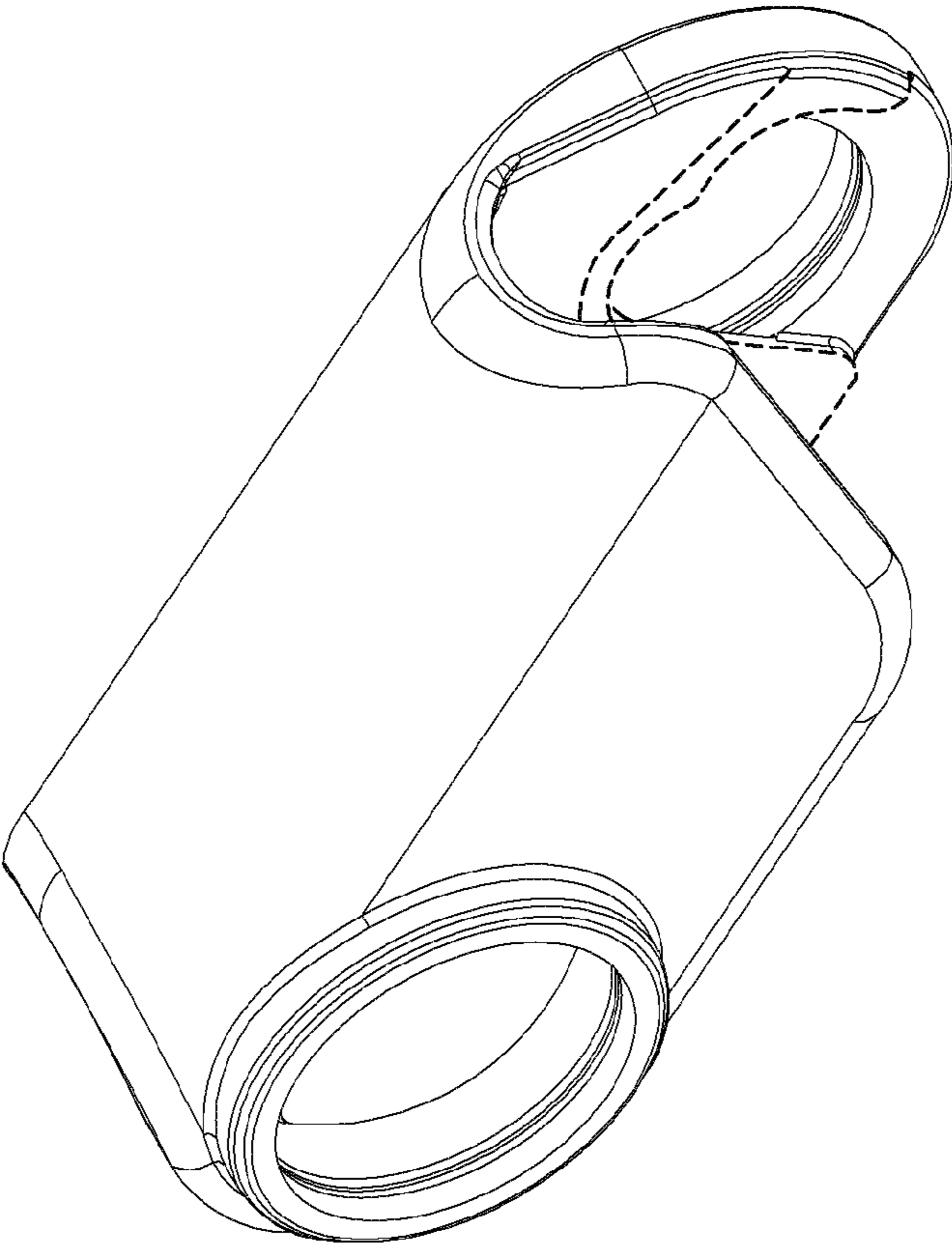


FIG. 1

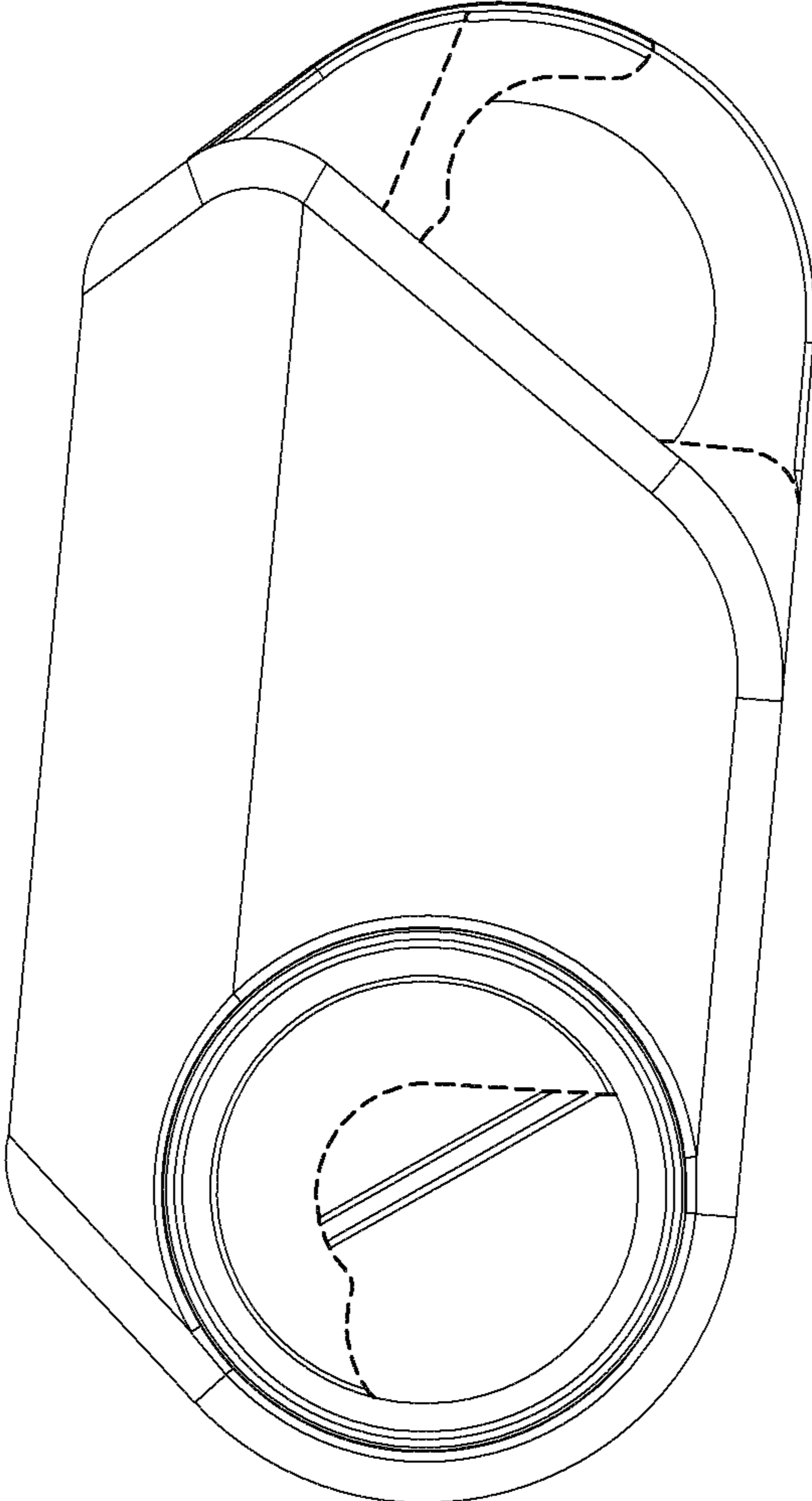


FIG. 2

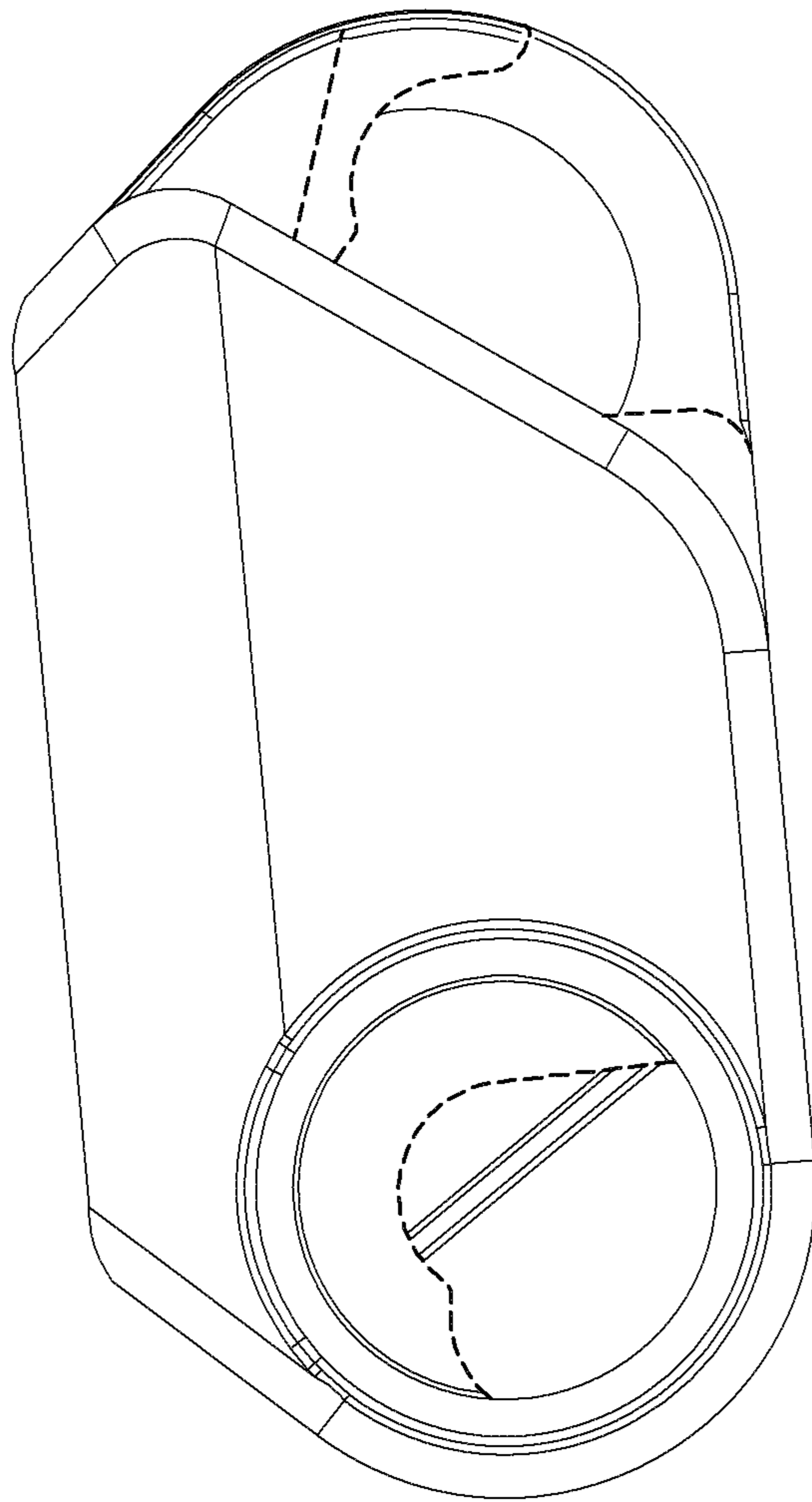


FIG. 3

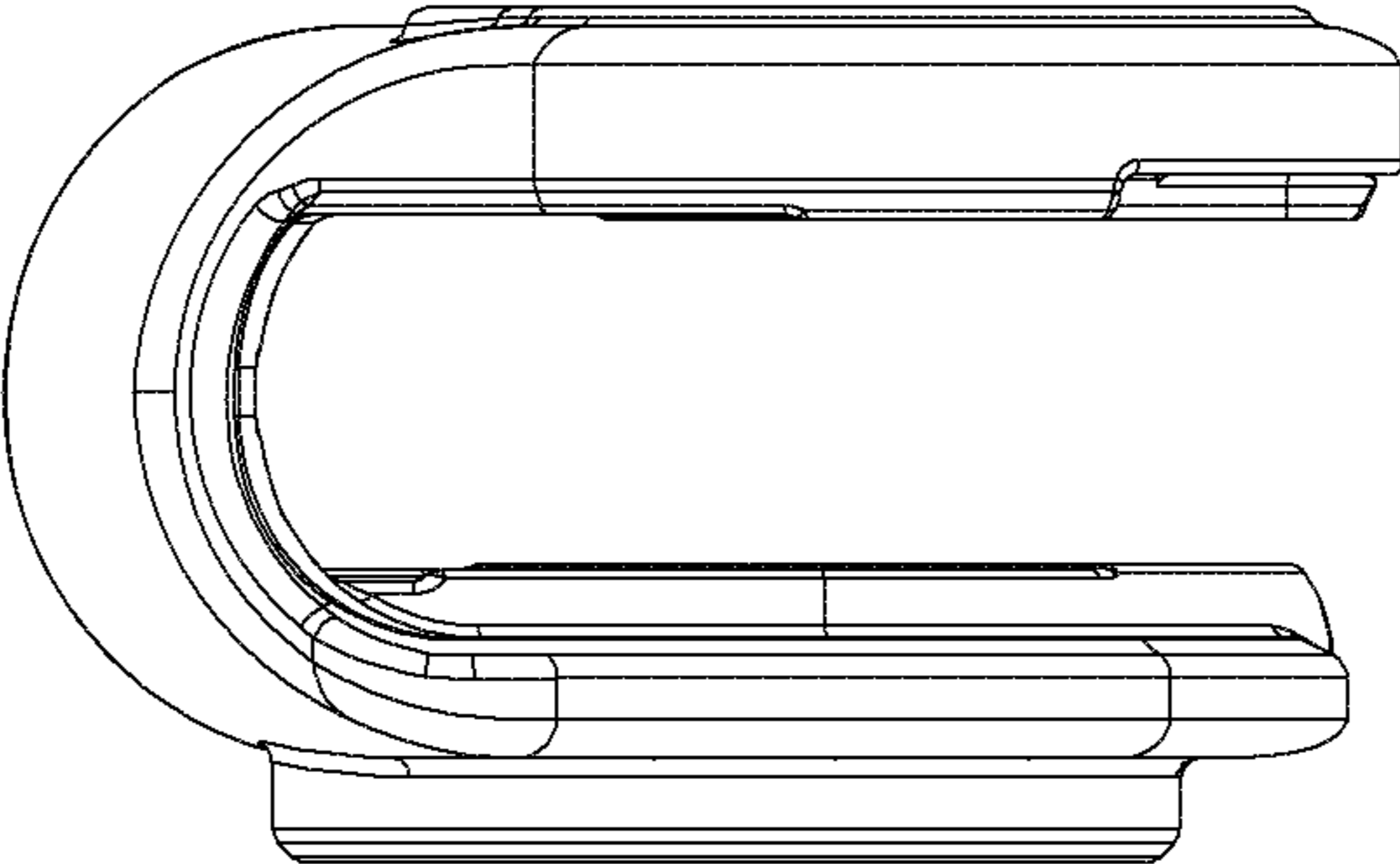


FIG. 5

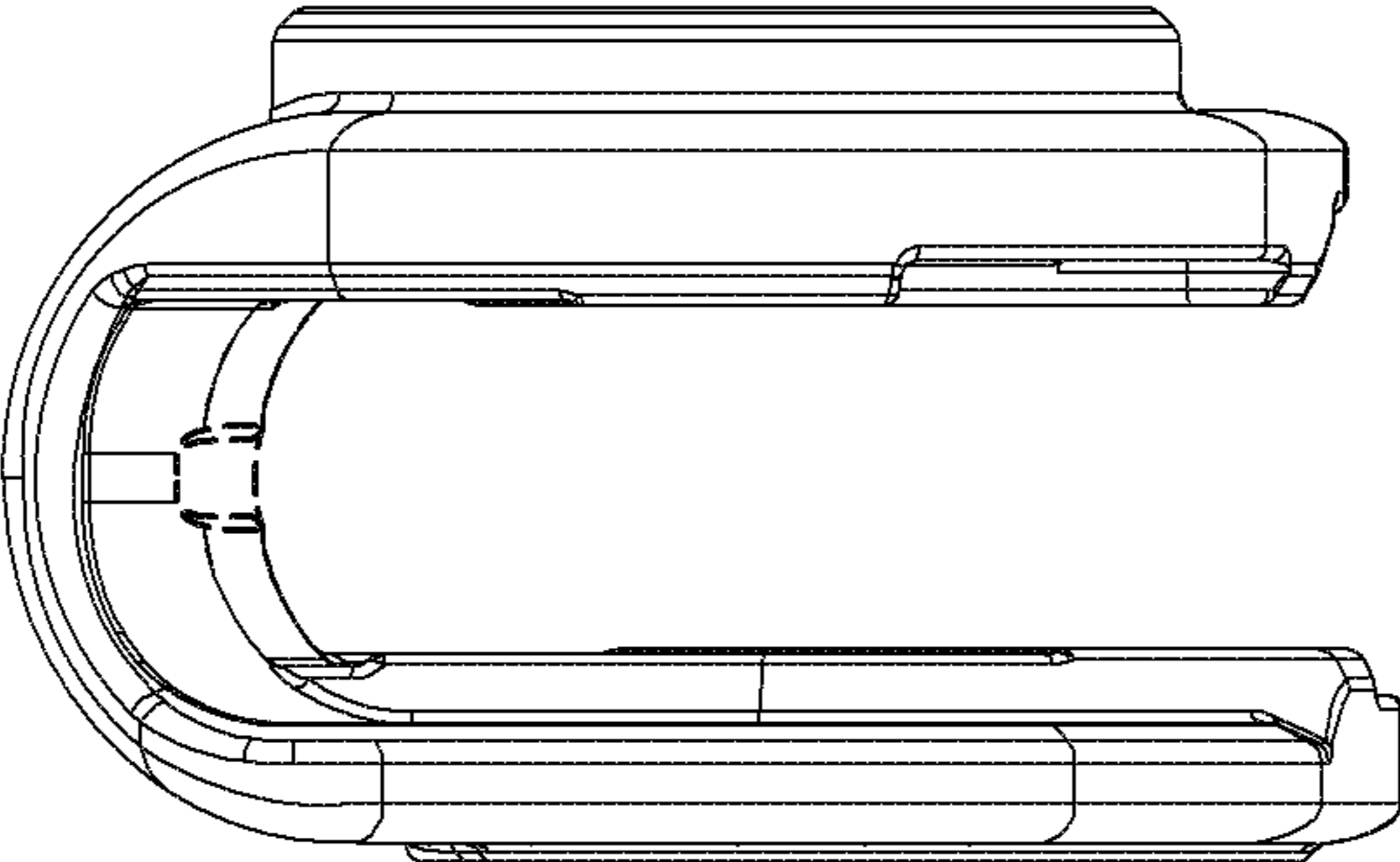


FIG. 4

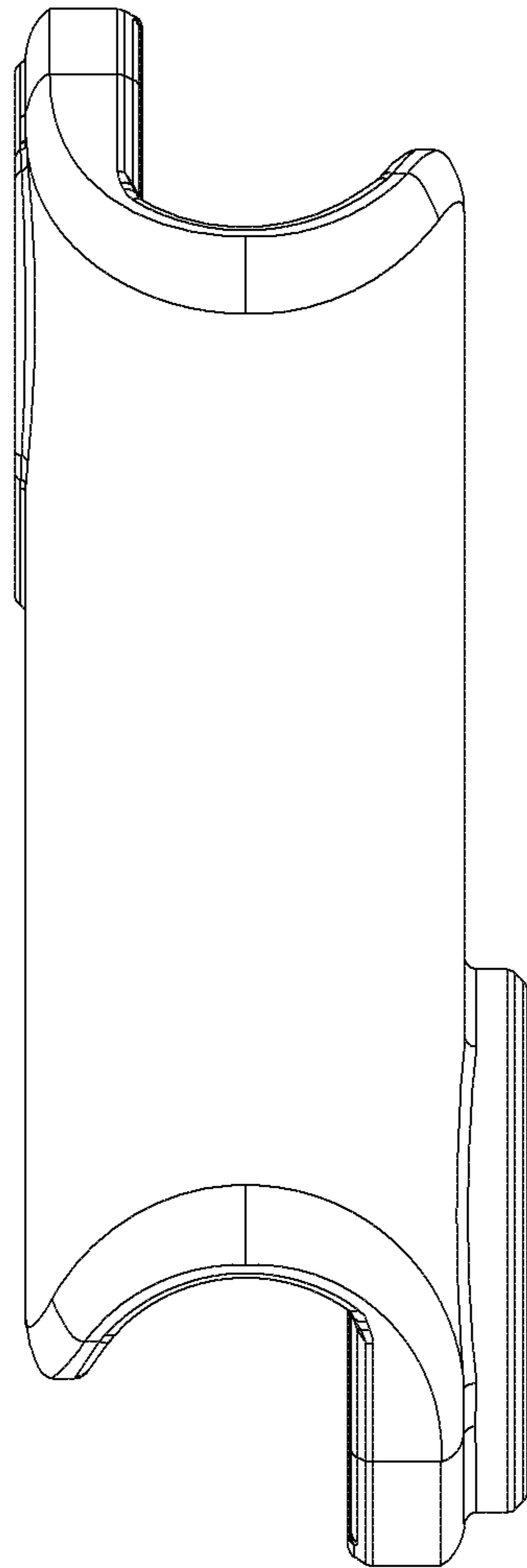


FIG. 6

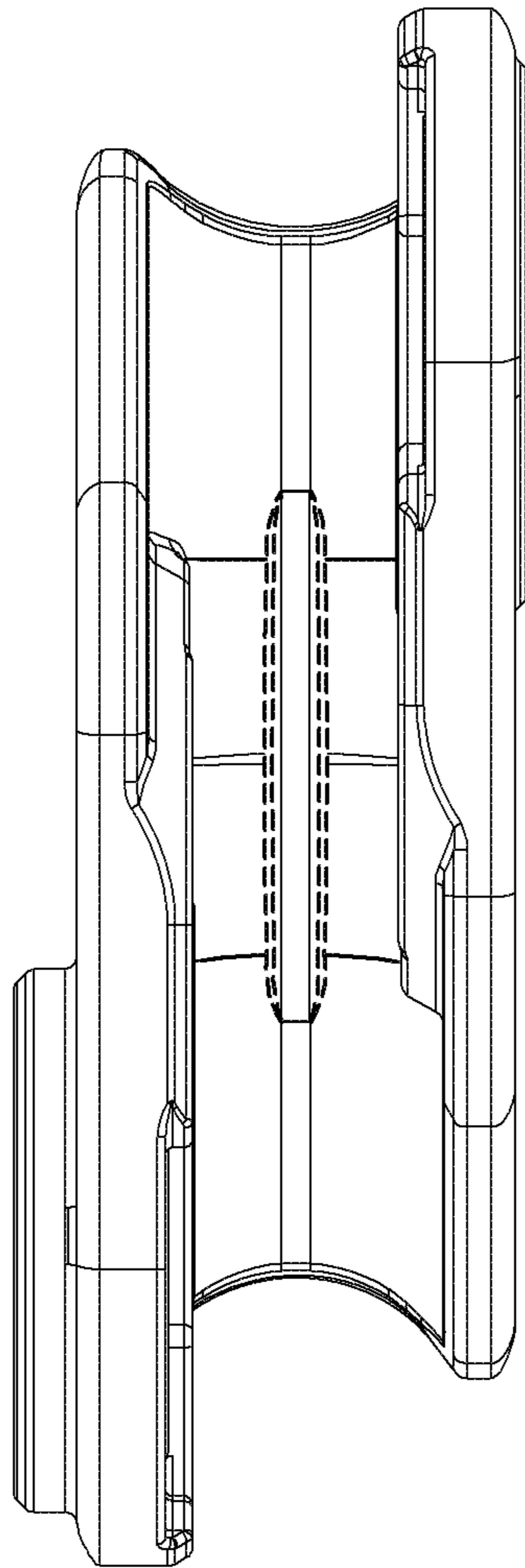


FIG. 7