



US00D763339S

(12) **United States Design Patent**
Ries

(10) **Patent No.:** **US D763,339 S**
(45) **Date of Patent:** **** Aug. 9, 2016**

(54) **ROBOTIC ARM COMPONENT**
(71) Applicant: **gomtec GmbH, Seefeld (DE)**
(72) Inventor: **Michael Ries, Olching (DE)**
(73) Assignee: **ABB gomtec GmbH (DE)**
(**) Term: **14 Years**
(21) Appl. No.: **29/516,113**

(22) Filed: **Jan. 29, 2015**

(30) **Foreign Application Priority Data**

Jul. 31, 2014 (DE) 40 2014 202 299

(51) **LOC (10) Cl.** **15-99**

(52) **U.S. Cl.**
USPC **D15/199**

(58) **Field of Classification Search**
USPC D15/199; D21/578
See application file for complete search history.

(56) **References Cited**

U.S. PATENT DOCUMENTS

D274,182 S *	6/1984	Kato	D15/122
D285,596 S *	9/1986	Gimple	D23/213
D293,449 S *	12/1987	Kaufmann	D15/122
4,763,401 A *	8/1988	Marinoni	B23K 11/318 279/119
D343,630 S *	1/1994	Tomiyama	D15/199
D344,280 S *	2/1994	Koyama	D15/199
D423,534 S *	4/2000	Raab	D15/199
D440,241 S *	4/2001	Kawahara	D15/199
D443,287 S *	6/2001	Kawahara	D15/199
D461,484 S *	8/2002	Kraft	D15/199
D613,781 S *	4/2010	Liu	D15/199
D624,104 S *	9/2010	Miyake	15/99
8,291,789 B2 *	10/2012	Long	B25J 9/102 74/490.01
8,386,077 B2 *	2/2013	Birkenbach	A61B 19/2203 700/245
D677,294 S *	3/2013	Long	D15/199
D678,378 S *	3/2013	Selic	D15/199
8,511,197 B2 *	8/2013	Liu	B25J 9/104 74/490.04

8,561,496 B2 *	10/2013	Pan	B25J 9/101 74/490.01
8,567,453 B2 *	10/2013	Donnay	B25J 9/0084 141/38
D697,104 S *	1/2014	Dye	D15/199
8,662,234 B2 *	3/2014	Roeder	B62D 5/0418 180/252
D711,061 S *	8/2014	Chen	D34/29
D713,436 S *	9/2014	Liu	D15/199
D716,357 S *	10/2014	Gombert	D15/199
8,850,696 B2 *	10/2014	Baudisch	B25J 15/0019 29/718
8,914,152 B2 *	12/2014	Scheurer	700/250
8,960,042 B2 *	2/2015	Liu	B25J 9/102 74/490.03
8,974,372 B2 *	3/2015	Fell	A61B 19/2203 600/114
8,978,509 B2 *	3/2015	Pan	B25J 9/101 74/490.05
9,021,915 B2 *	5/2015	Long	B25J 17/00 74/490.05
9,095,982 B2 *	8/2015	Oka	B25J 17/0283
9,102,065 B2 *	8/2015	Krumbacher	B25J 17/02
9,114,525 B2 *	8/2015	Long	B25J 9/104
9,132,556 B2 *	9/2015	Roberts	B25J 18/00
2003/0070468 A1 *	4/2003	Butscher	A61C 7/04 72/295
2010/0178101 A1 *	7/2010	Day	B25J 9/101 403/112

* cited by examiner

Primary Examiner — Patricia Palasik

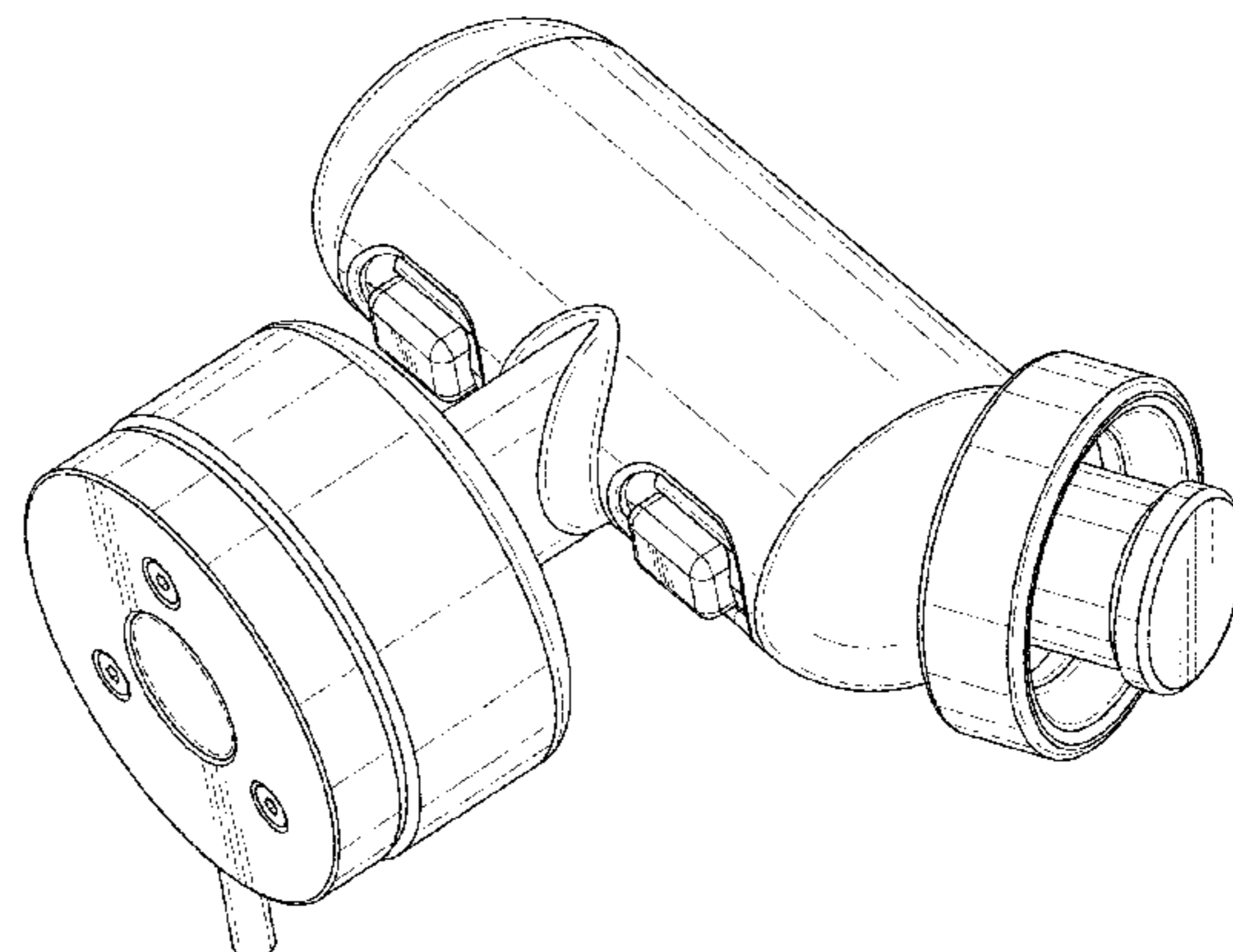
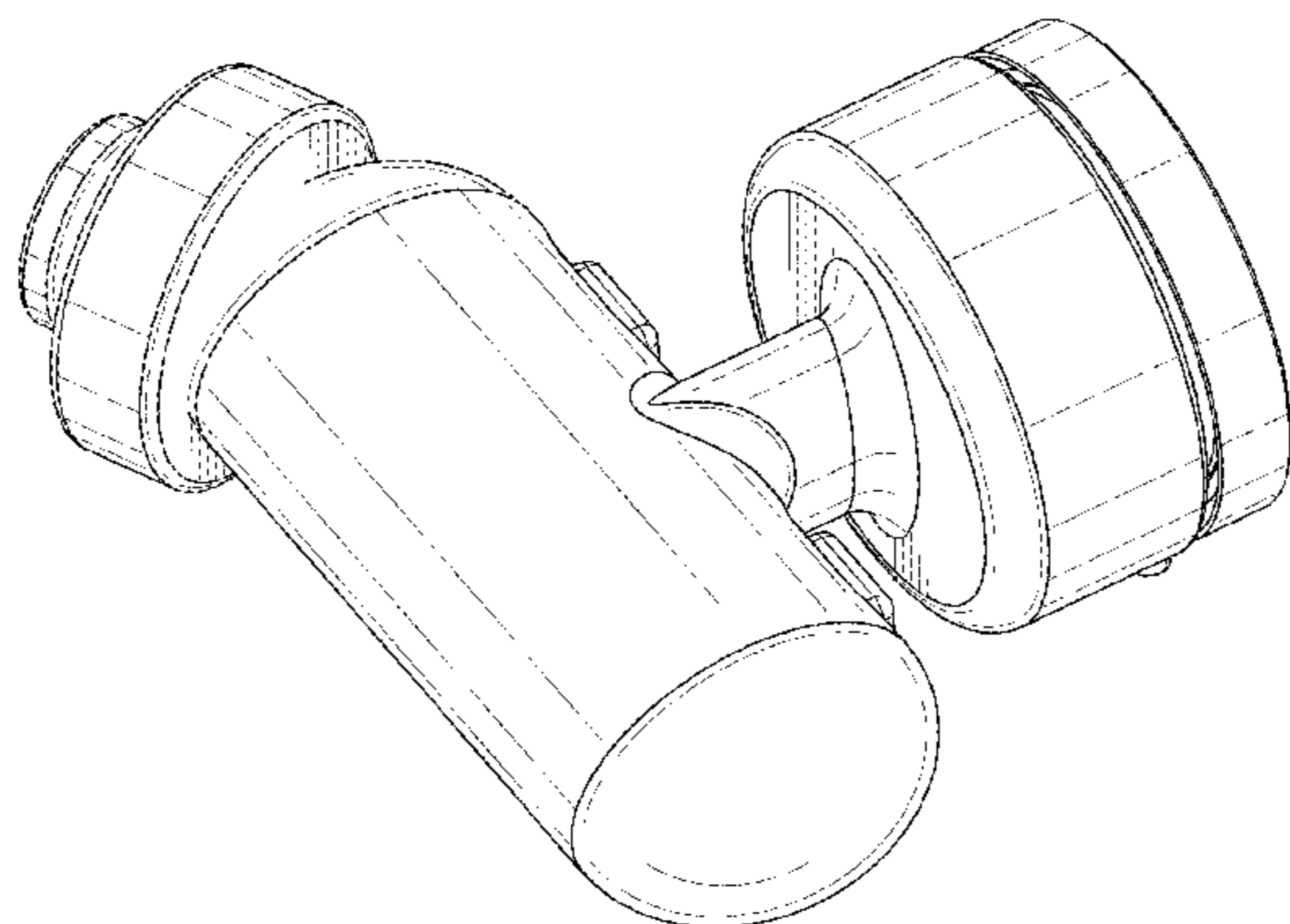
(57) **CLAIM**

The ornamental design for a robotic arm component, as shown.

DESCRIPTION

FIG. 1 is a front perspective view of the robotic arm component according to the present invention;
FIG. 2 is a rear perspective view of the robotic arm component according to the present invention;
FIG. 3 is a front view of the robotic arm component thereof;
FIG. 4 is a back view of the robotic arm component thereof;
FIG. 5 is a left side view of the robotic arm component thereof;
FIG. 6 is a right side view of the robotic arm component thereof;
FIG. 7 is a top view of the robotic arm component thereof;
and,
FIG. 8 is a bottom view of the robotic arm component thereof.

1 Claim, 8 Drawing Sheets



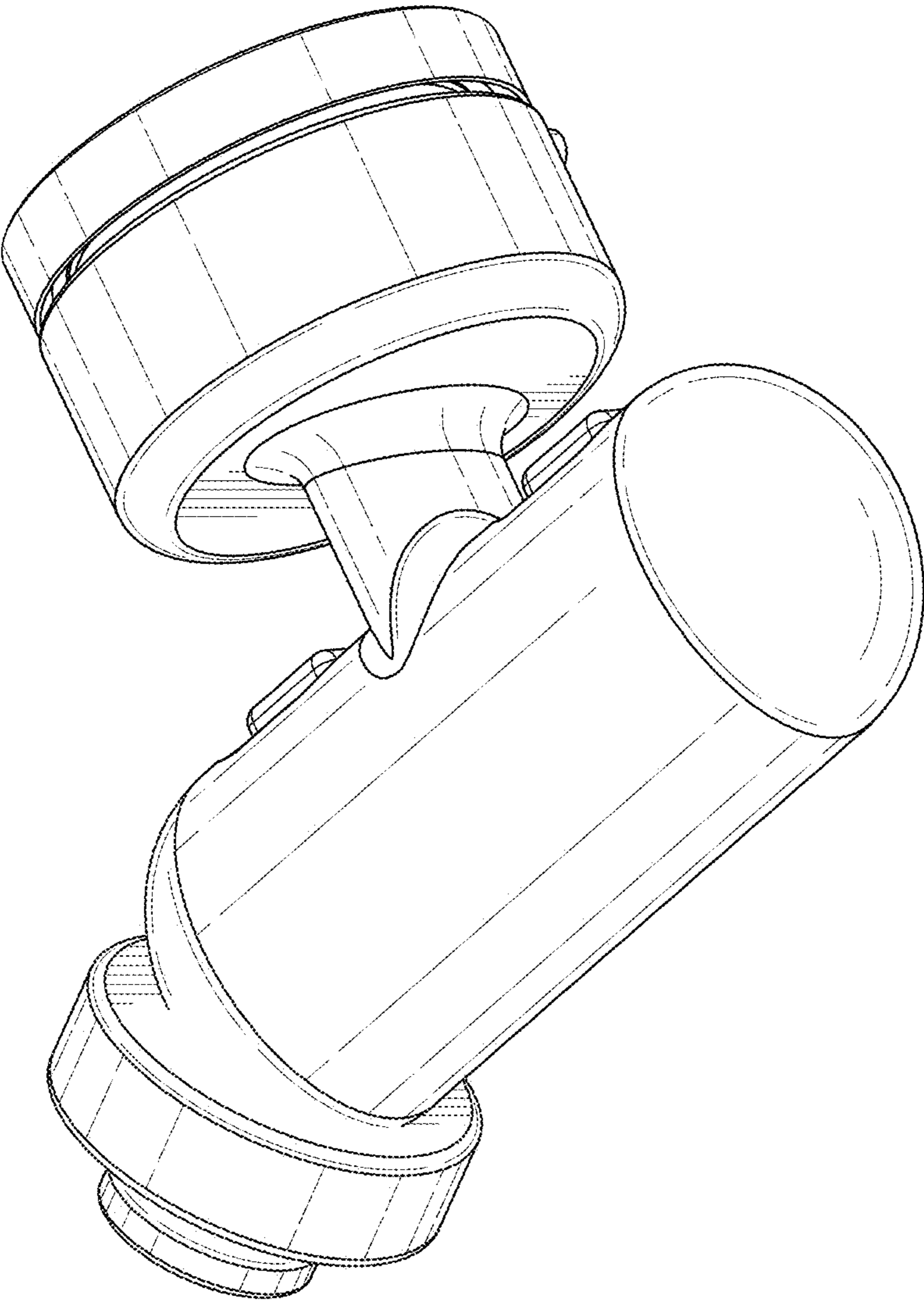


FIG. 1

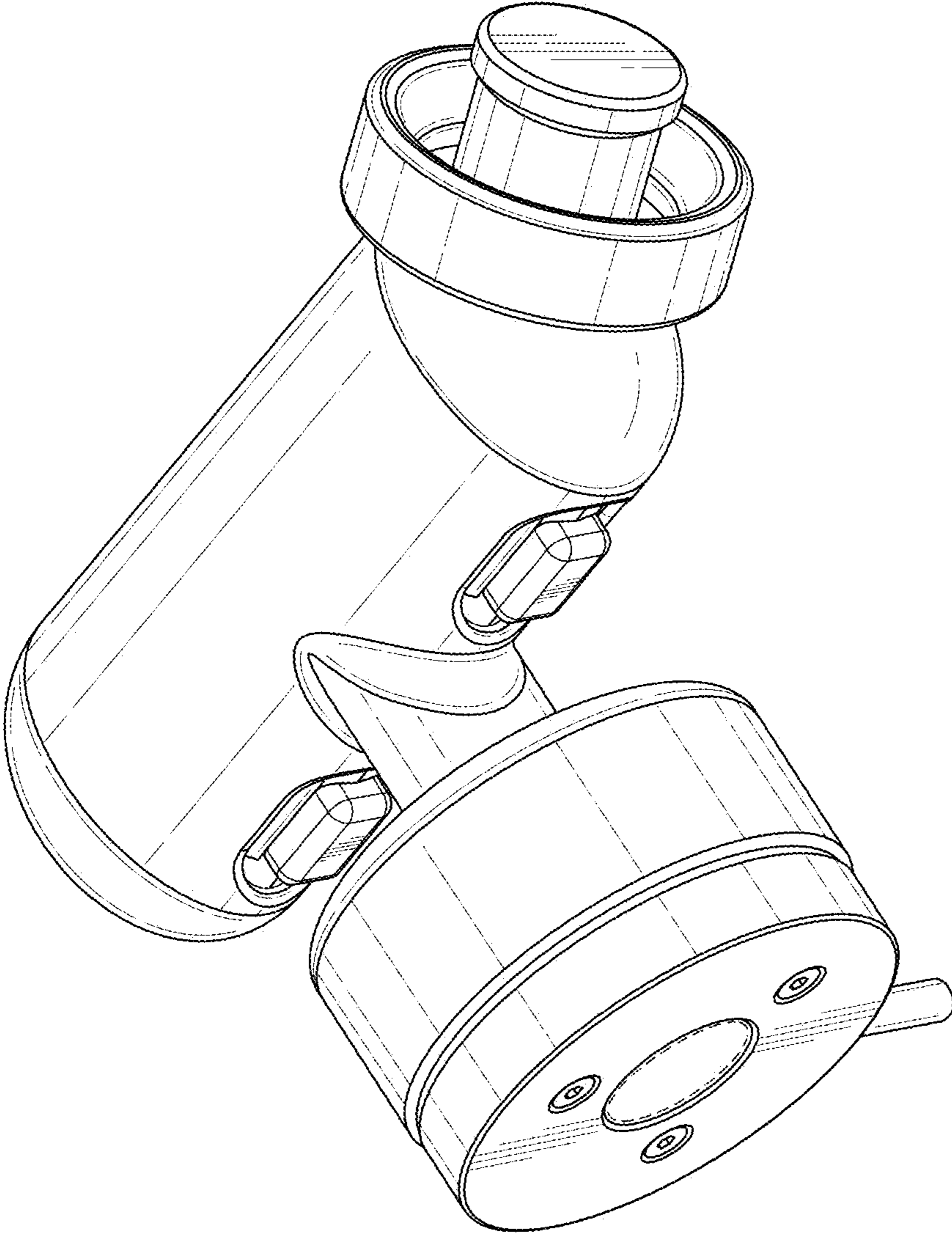


FIG. 2

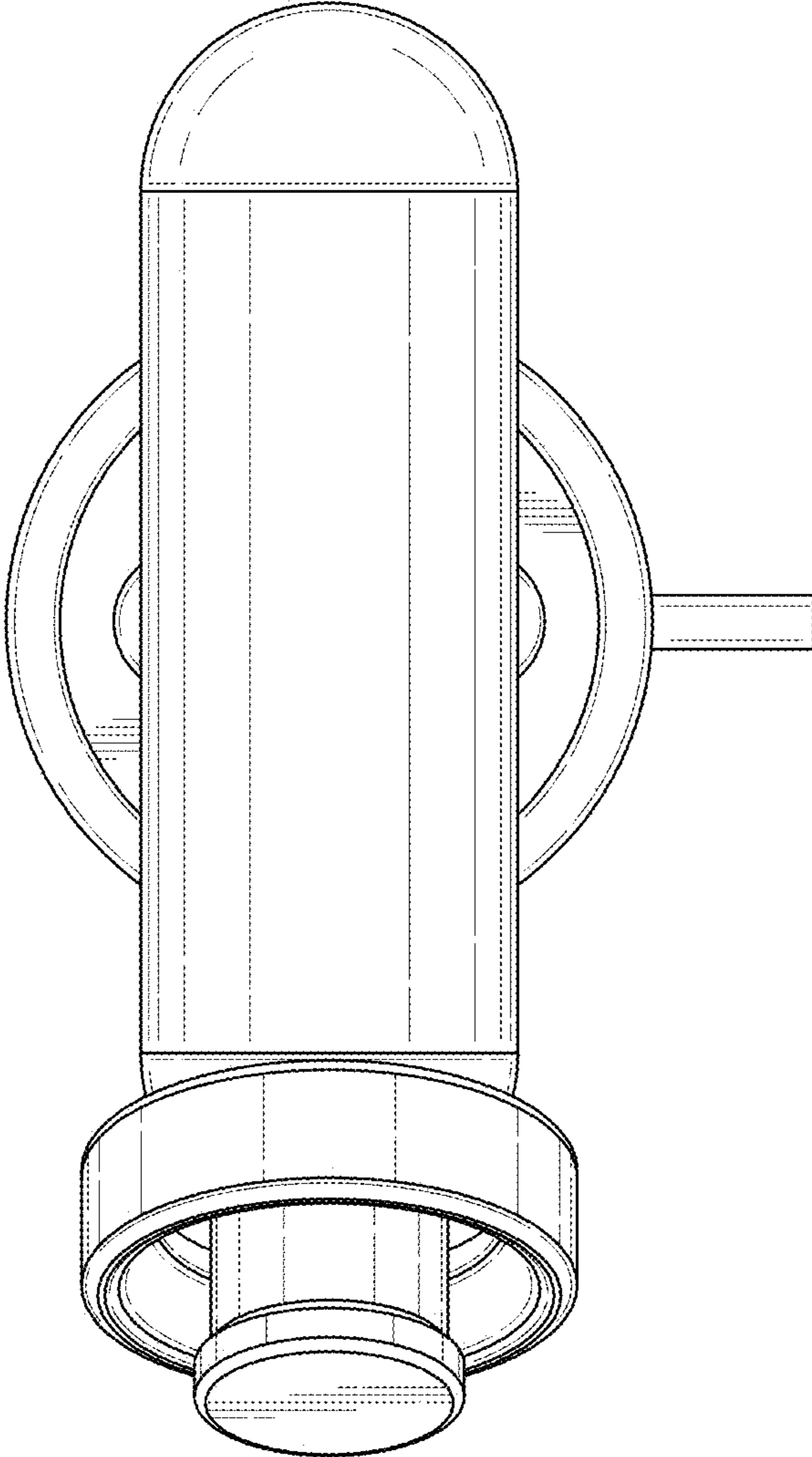


FIG. 3

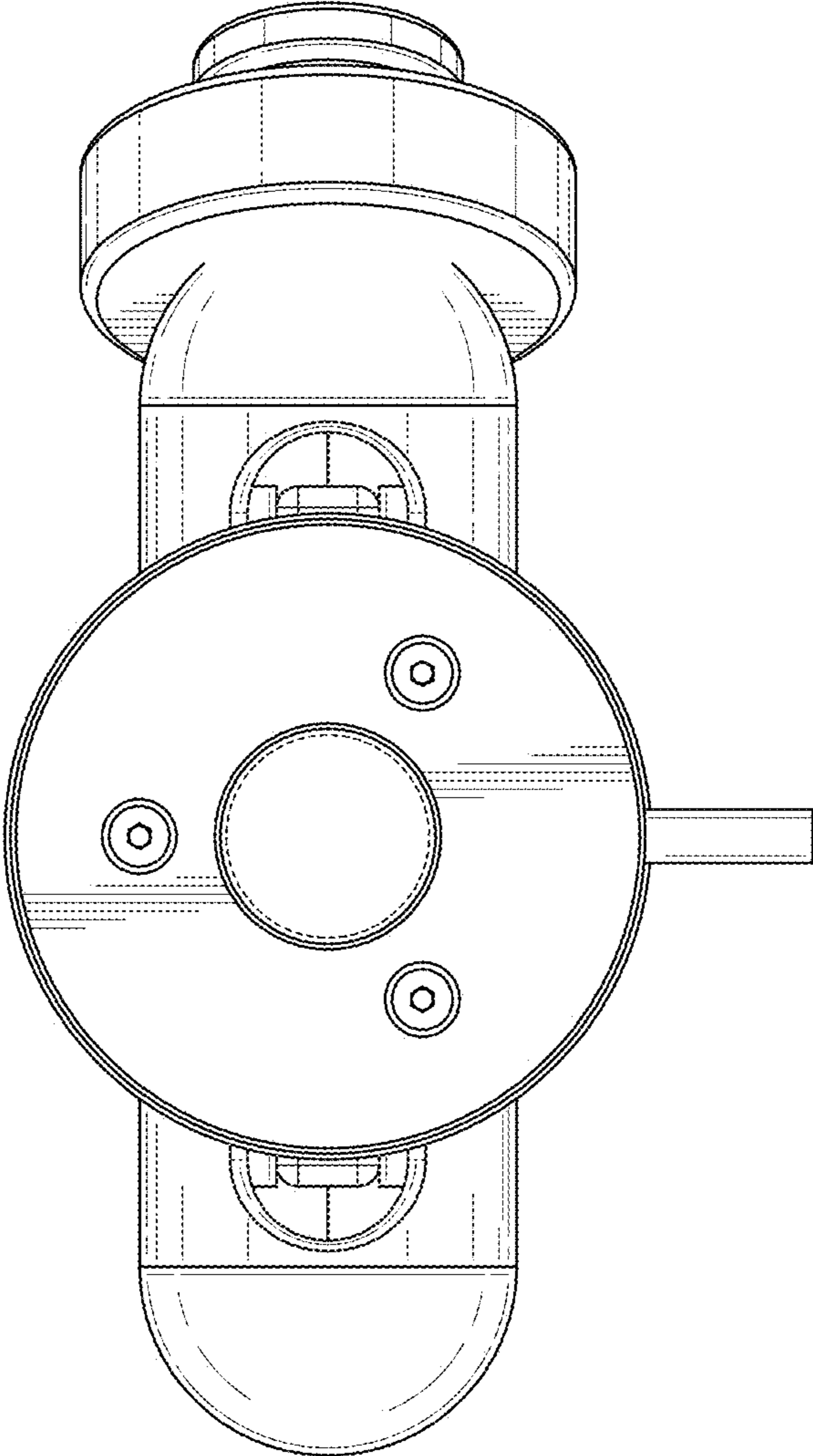


FIG. 4

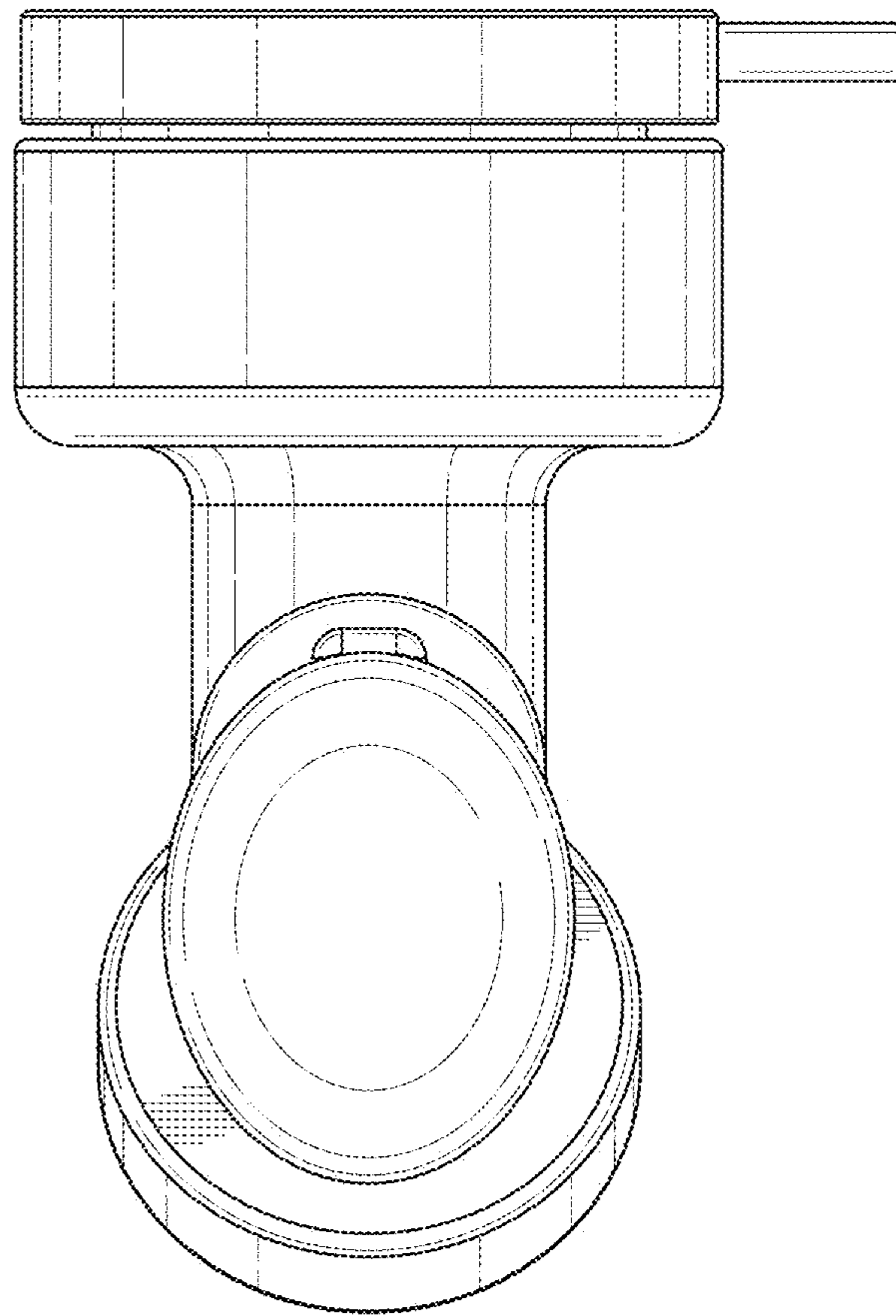


FIG. 5

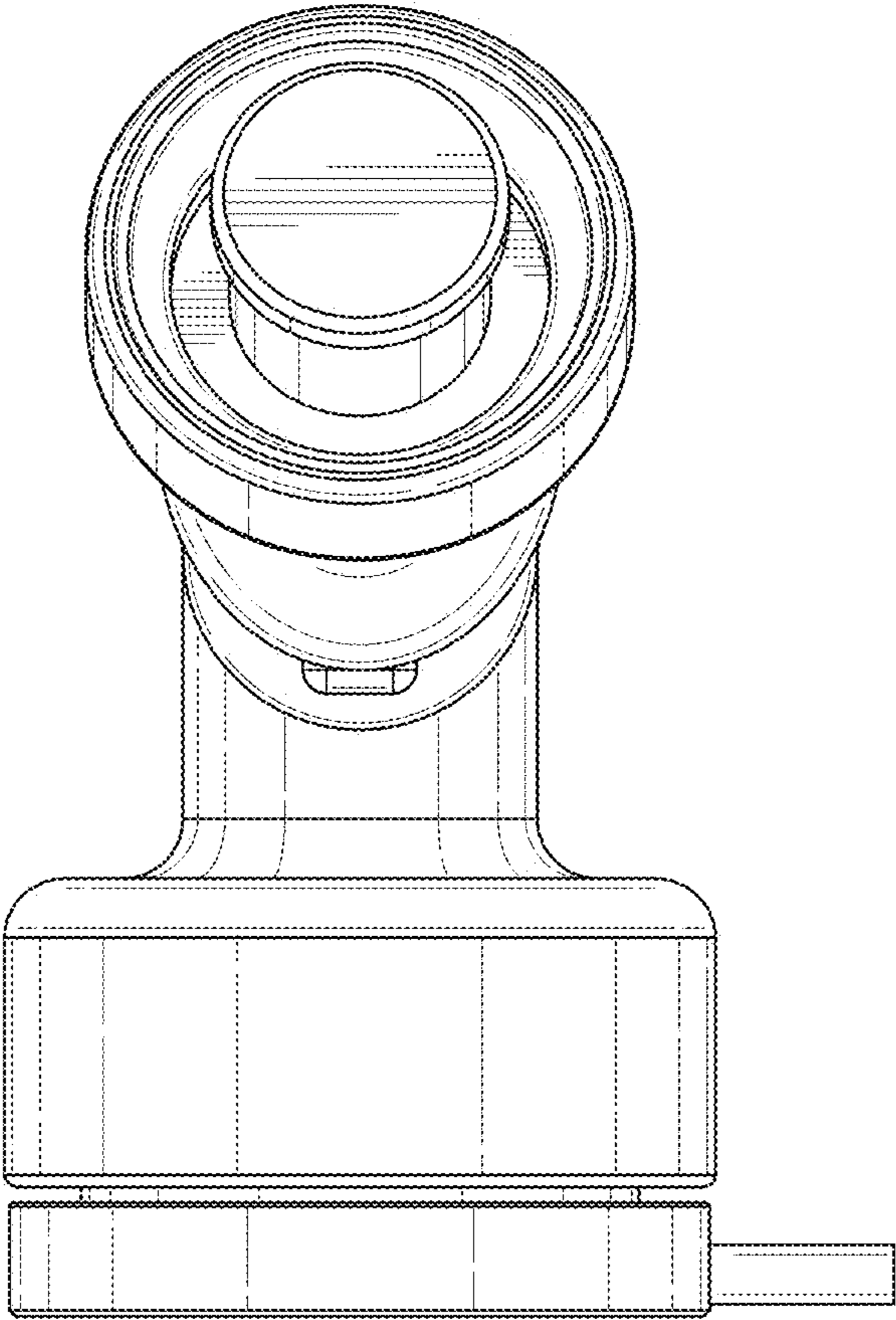


FIG. 6

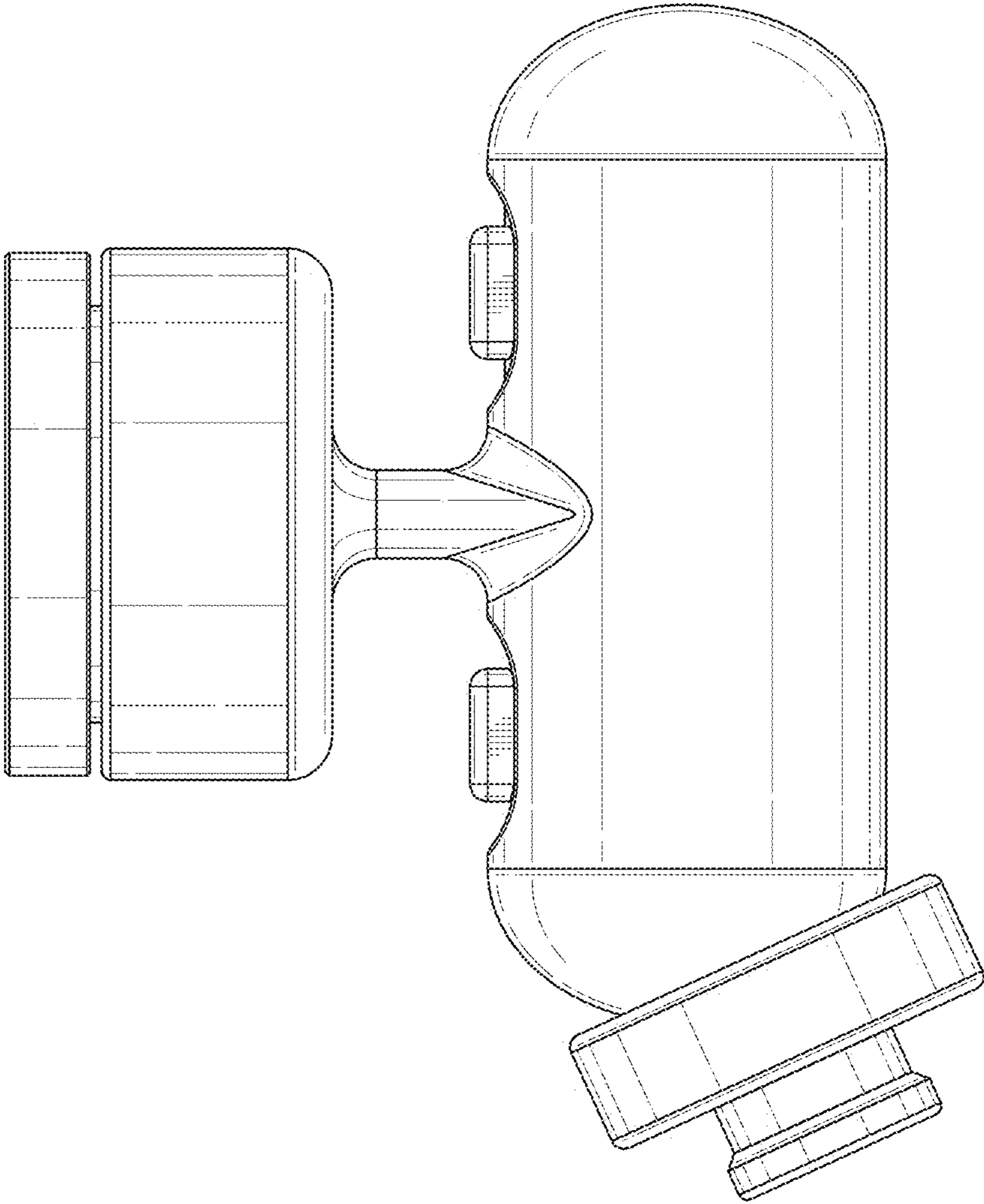


FIG. 7

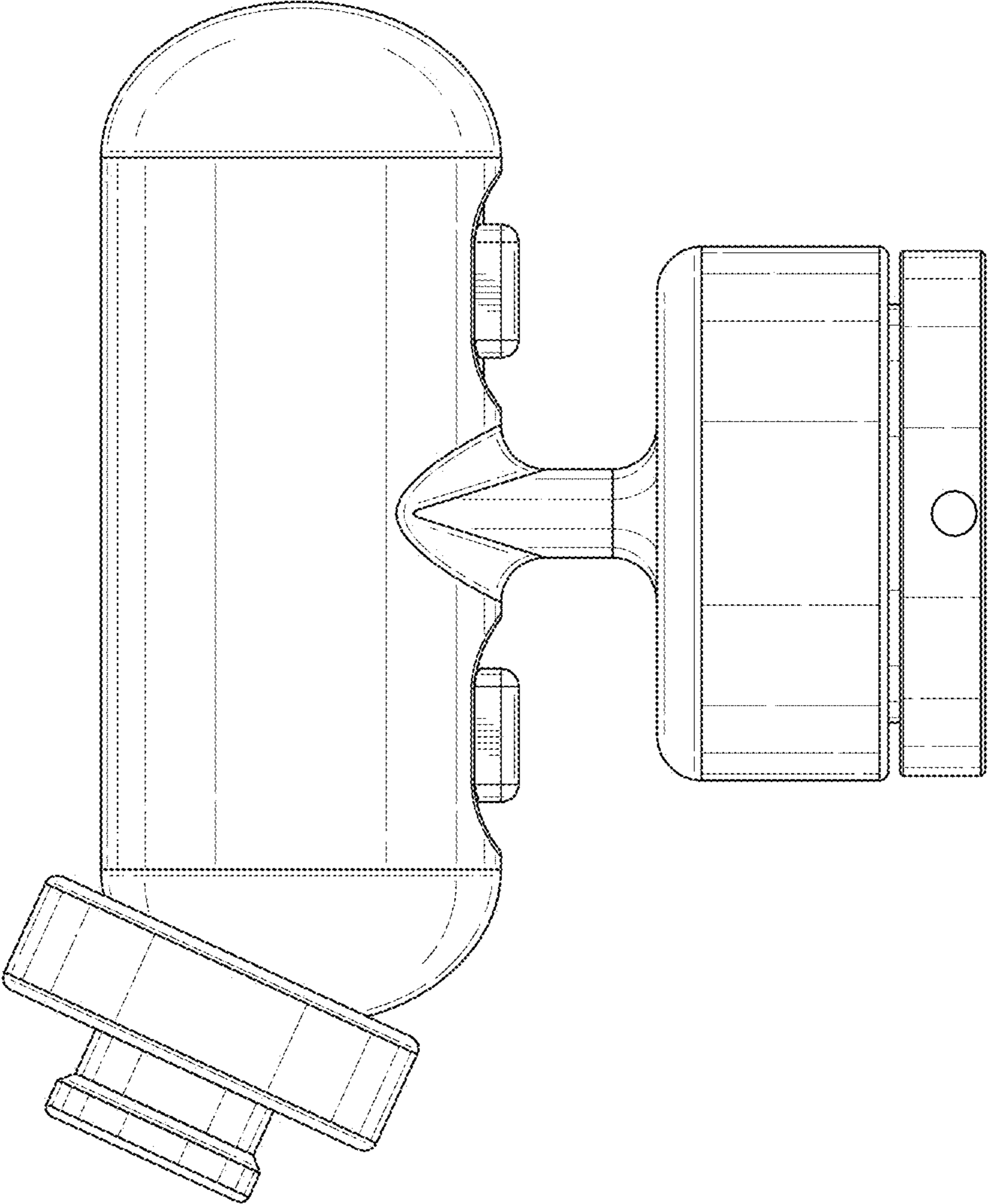


FIG. 8