



US00D763337S

(12) **United States Design Patent**  
**Ries**

(10) **Patent No.:** **US D763,337 S**  
(45) **Date of Patent:** **\*\* Aug. 9, 2016**

(54) **ROBOTIC ARM COMPONENT**  
(71) Applicant: **gomtec GmbH**, Seefeld (DE)  
(72) Inventor: **Michael Ries**, Olching (DE)  
(73) Assignee: **ABB gomtec GmbH** (DE)  
(\*\*) Term: **14 Years**

(21) Appl. No.: **29/516,078**  
(22) Filed: **Jan. 29, 2015**

(30) **Foreign Application Priority Data**  
Jul. 31, 2014 (DE) ..... 40 2014 202 299

(51) **LOC (10) Cl.** ..... **15-99**  
(52) **U.S. Cl.**  
USPC ..... **D15/199**  
(58) **Field of Classification Search**  
USPC ..... D15/199; D21/578  
See application file for complete search history.

(56) **References Cited**  
**U.S. PATENT DOCUMENTS**  
D274,182 S \* 6/1984 Kato ..... D15/122  
D285,596 S \* 9/1986 Gimple ..... D23/213  
D293,449 S \* 12/1987 Kaufmann ..... D15/122  
4,763,401 A \* 8/1988 Marinoni ..... B23K 11/318  
279/119  
D343,630 S \* 1/1994 Tomiyama ..... D15/199  
D344,280 S \* 2/1994 Koyama ..... D15/199  
D423,534 S \* 4/2000 Raab ..... D15/199  
D440,241 S \* 4/2001 Kawahara ..... D15/199  
D443,287 S \* 6/2001 Kawahara ..... D15/199  
D461,484 S \* 8/2002 Kraft ..... D15/199  
D613,781 S \* 4/2010 Liu ..... D15/199  
D624,104 S \* 9/2010 Miyake ..... 15/99  
8,291,789 B2 \* 10/2012 Long ..... B25J 9/102  
74/490.01  
8,386,077 B2 \* 2/2013 Birkenbach ..... A61B 19/2203  
700/245  
D677,294 S \* 3/2013 Long ..... D15/199  
D678,378 S \* 3/2013 Selic ..... D15/199

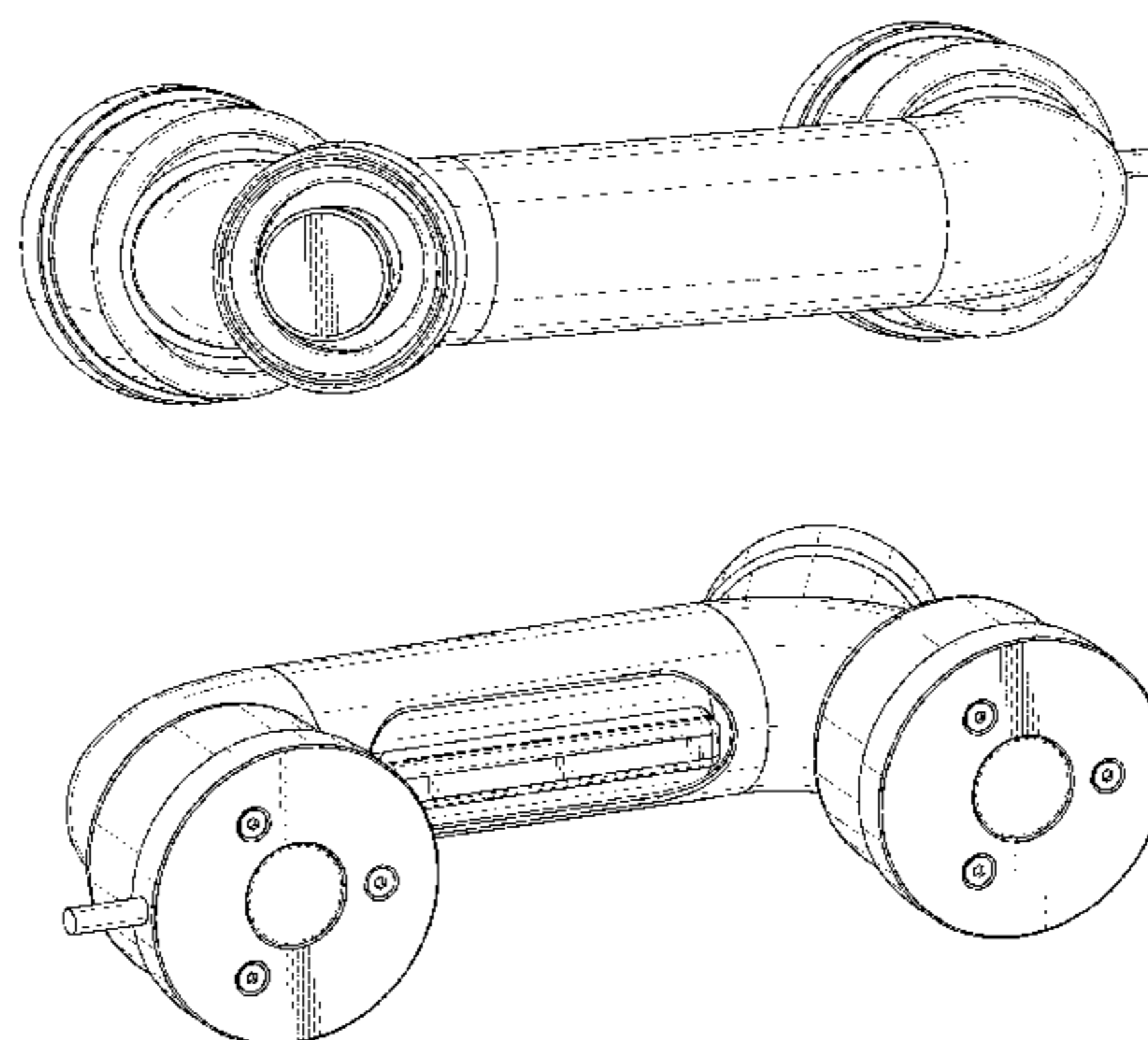
8,511,197 B2 \* 8/2013 Liu ..... B25J 9/104  
74/490.04  
8,561,496 B2 \* 10/2013 Pan ..... B25J 9/101  
74/490.01  
8,567,453 B2 \* 10/2013 Donnay ..... B25J 9/0084  
141/38  
D697,104 S \* 1/2014 Dye ..... D15/199  
8,662,234 B2 \* 3/2014 Roeder ..... B62D 5/0418  
180/252  
D711,061 S \* 8/2014 Chen ..... D34/29  
D713,436 S \* 9/2014 Liu ..... D15/199  
D716,357 S \* 10/2014 Gombert ..... D15/199  
8,850,696 B2 \* 10/2014 Baudisch ..... B25J 15/0019  
29/718  
8,914,152 B2 \* 12/2014 Scheurer ..... 700/250  
8,960,042 B2 \* 2/2015 Liu ..... B25J 9/102  
74/490.03  
8,974,372 B2 \* 3/2015 Fell ..... A61B 19/2203  
600/114  
8,978,509 B2 \* 3/2015 Pan ..... B25J 9/101  
74/490.05  
9,021,915 B2 \* 5/2015 Long ..... B25J 17/00  
74/490.05  
9,095,982 B2 \* 8/2015 Oka ..... B25J 17/0283  
9,102,065 B2 \* 8/2015 Krumbacher ..... B25J 17/02  
9,114,525 B2 \* 8/2015 Long ..... B25J 9/104  
9,132,556 B2 \* 9/2015 Roberts ..... B25J 18/00  
2003/0070468 A1 \* 4/2003 Butscher ..... A61C 7/04  
72/295  
2010/0178101 A1 \* 7/2010 Day ..... B25J 9/101  
403/112

\* cited by examiner  
*Primary Examiner* — Patricia Palasik

(57) **CLAIM**  
The ornamental design for a robotic arm component, as shown.

**DESCRIPTION**  
FIG. 1 is a front perspective view of the robotic arm component according to the present invention;  
FIG. 2 is a rear perspective view of the robotic arm component according to the present invention;  
FIG. 3 is a front view of the robotic arm component thereof;  
FIG. 4 is a back view of the robotic arm component thereof;  
FIG. 5 is a left side view of the robotic arm component thereof;  
FIG. 6 is a right side view of the robotic arm component thereof;  
FIG. 7 is a top view of the robotic arm component thereof;  
and,  
FIG. 8 is a bottom view of the robotic arm component thereof.

**1 Claim, 8 Drawing Sheets**



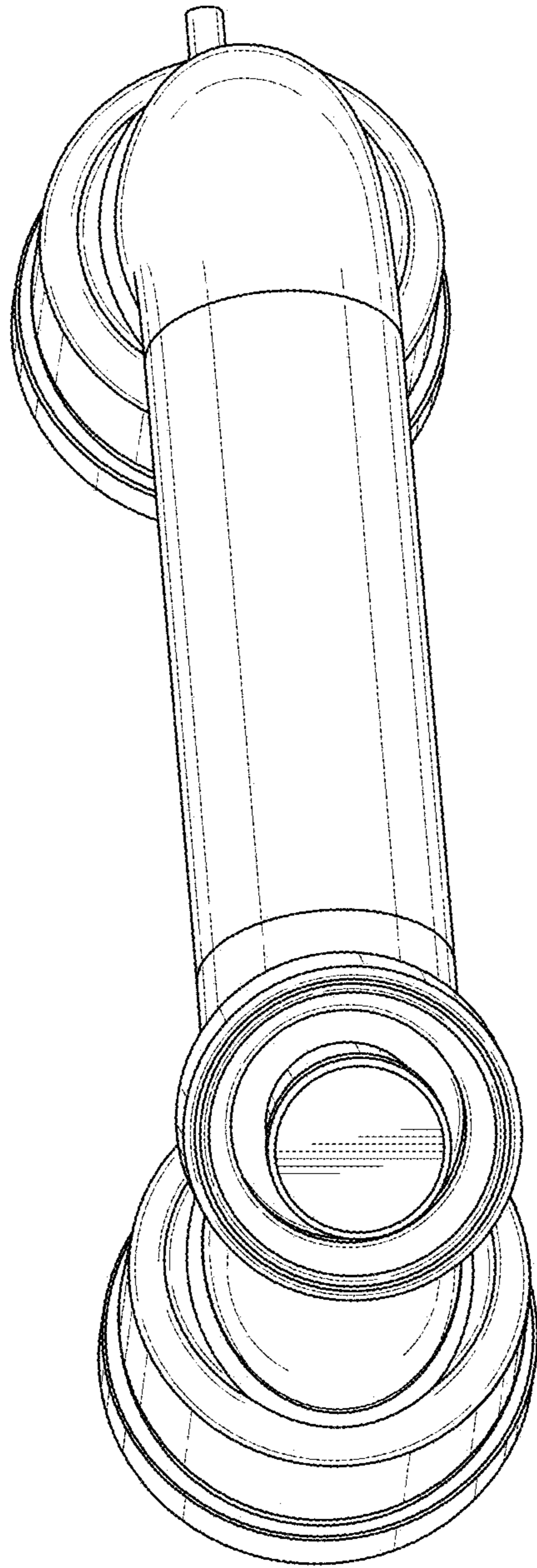


FIG. 1

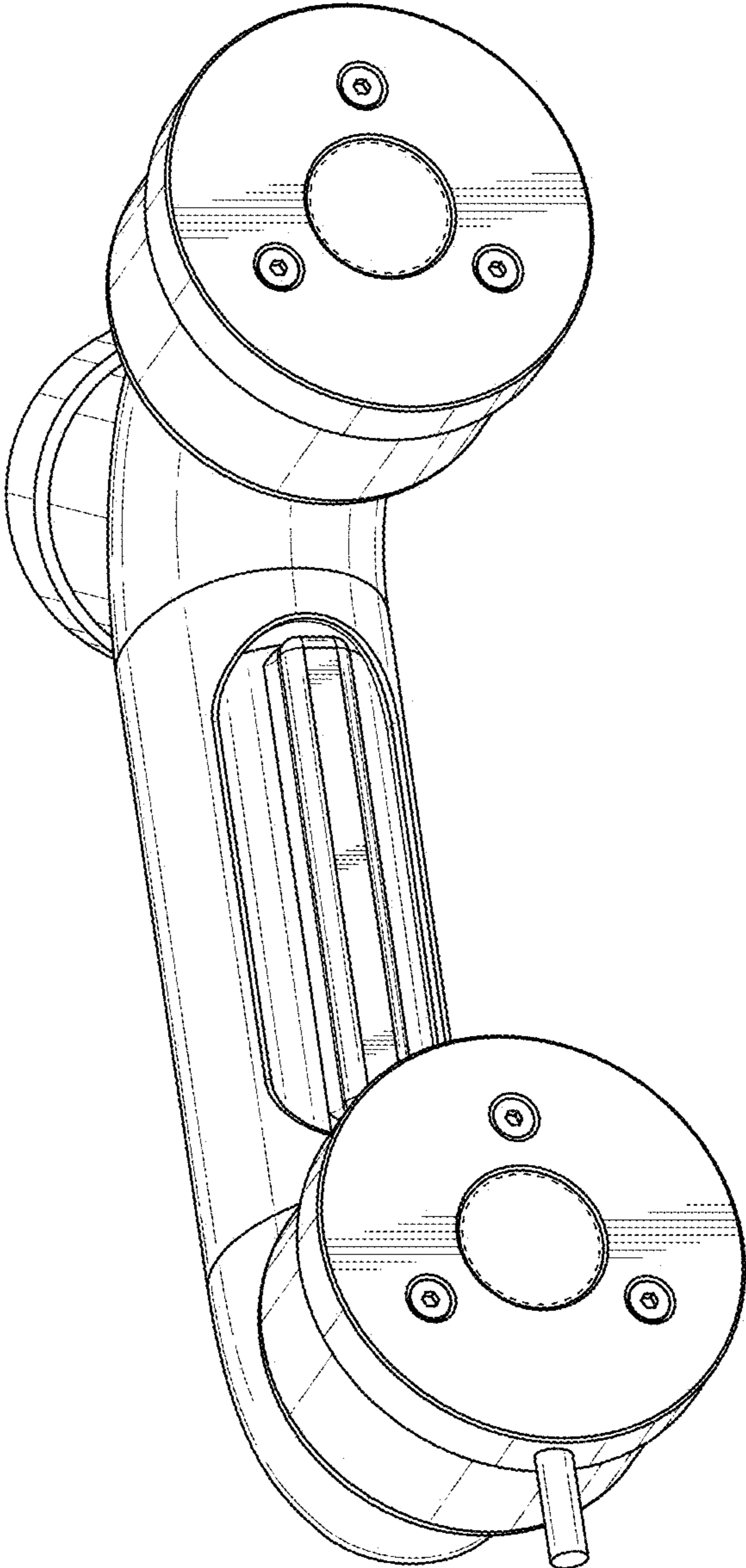


FIG. 2

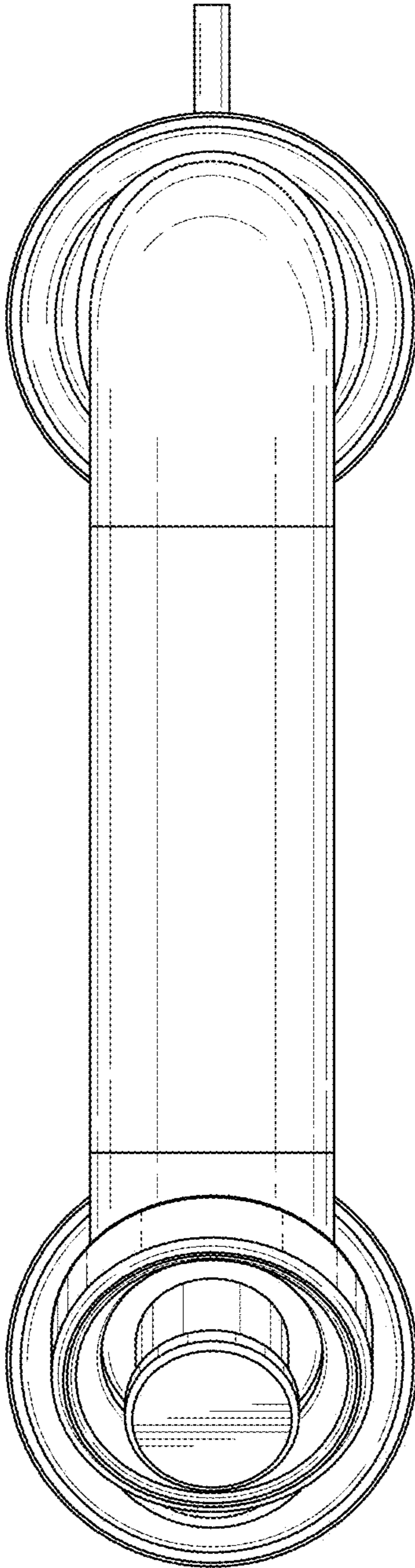


FIG. 3

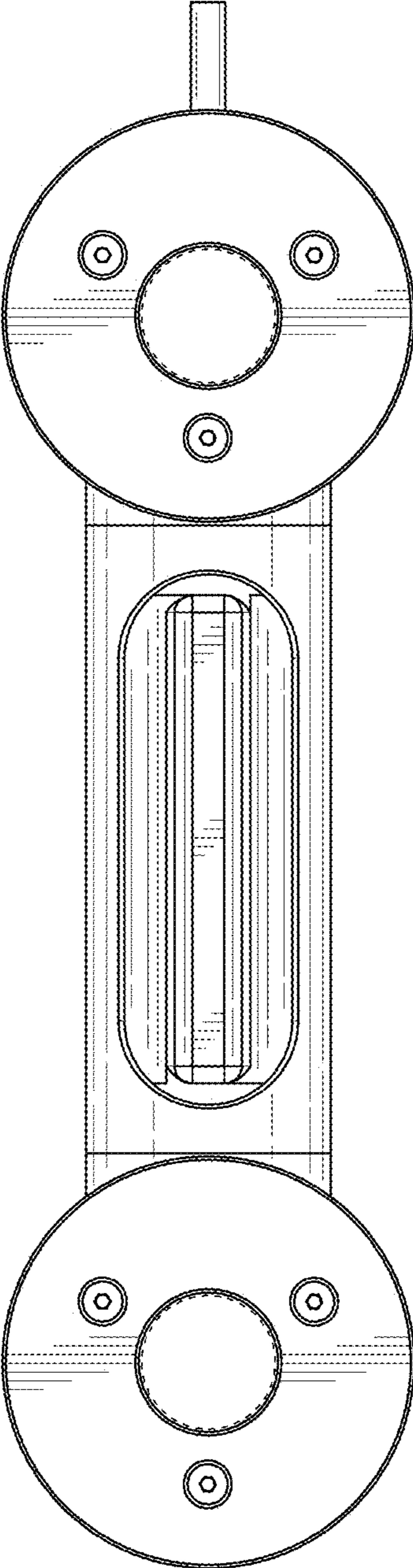


FIG. 4

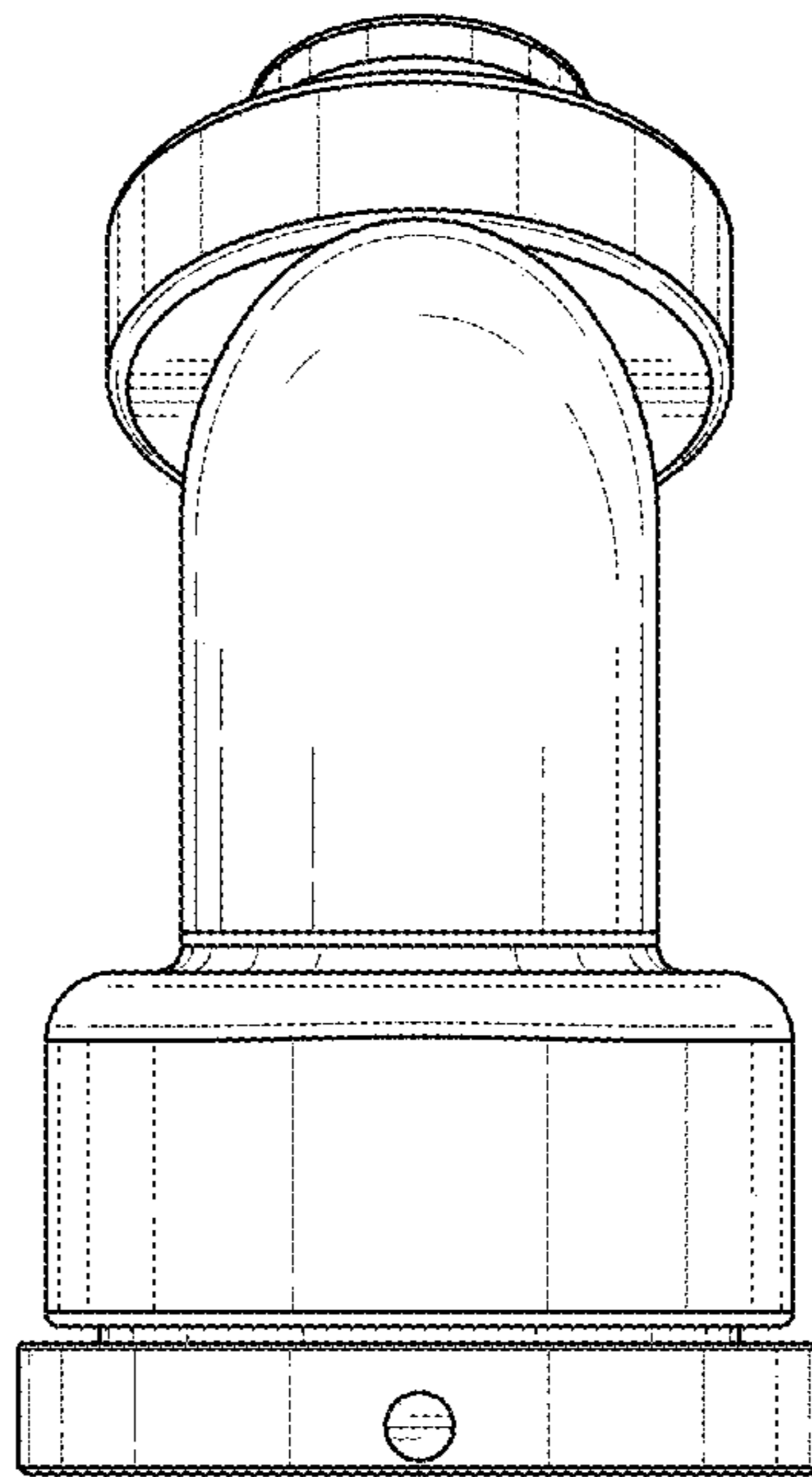


FIG. 5

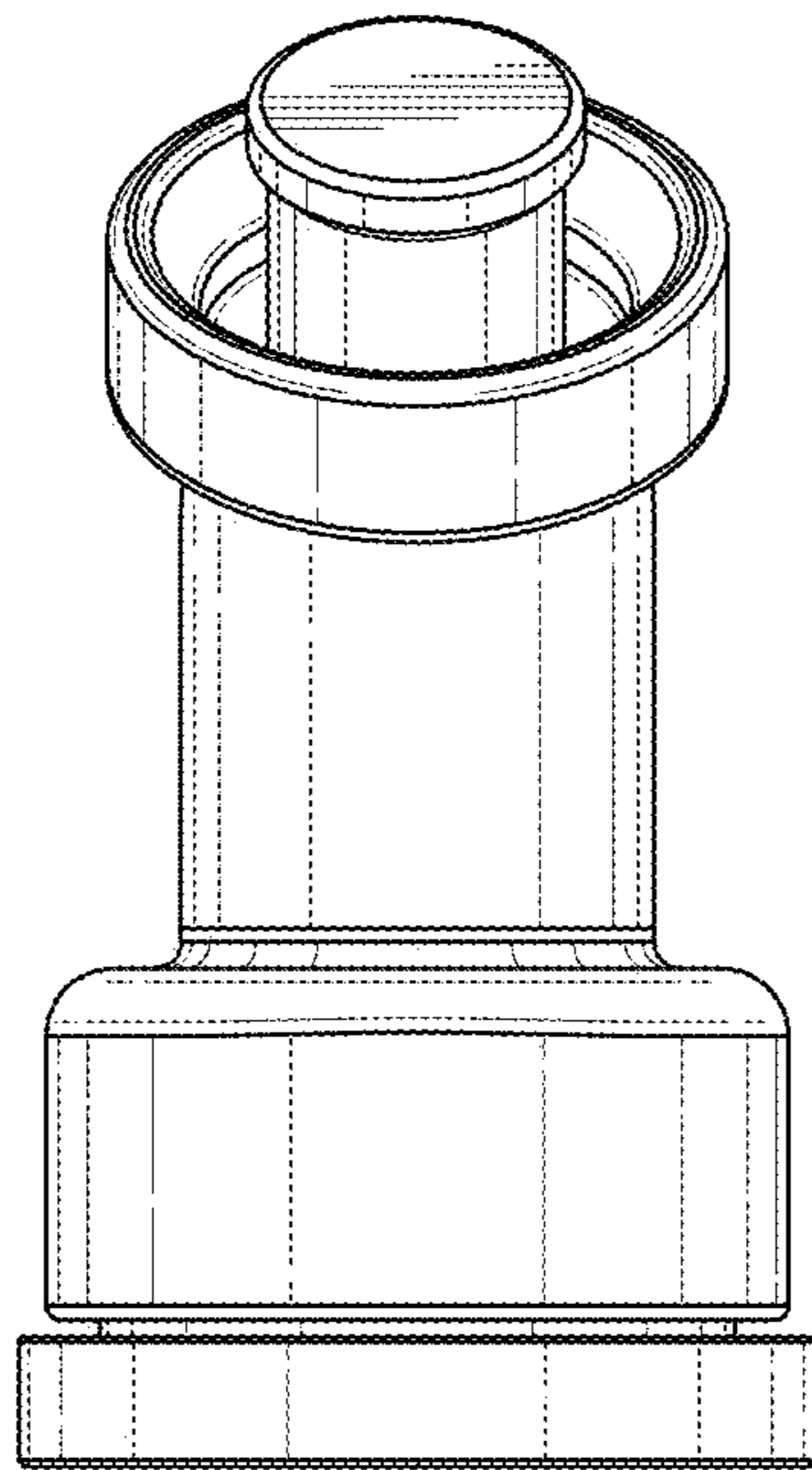


FIG. 6

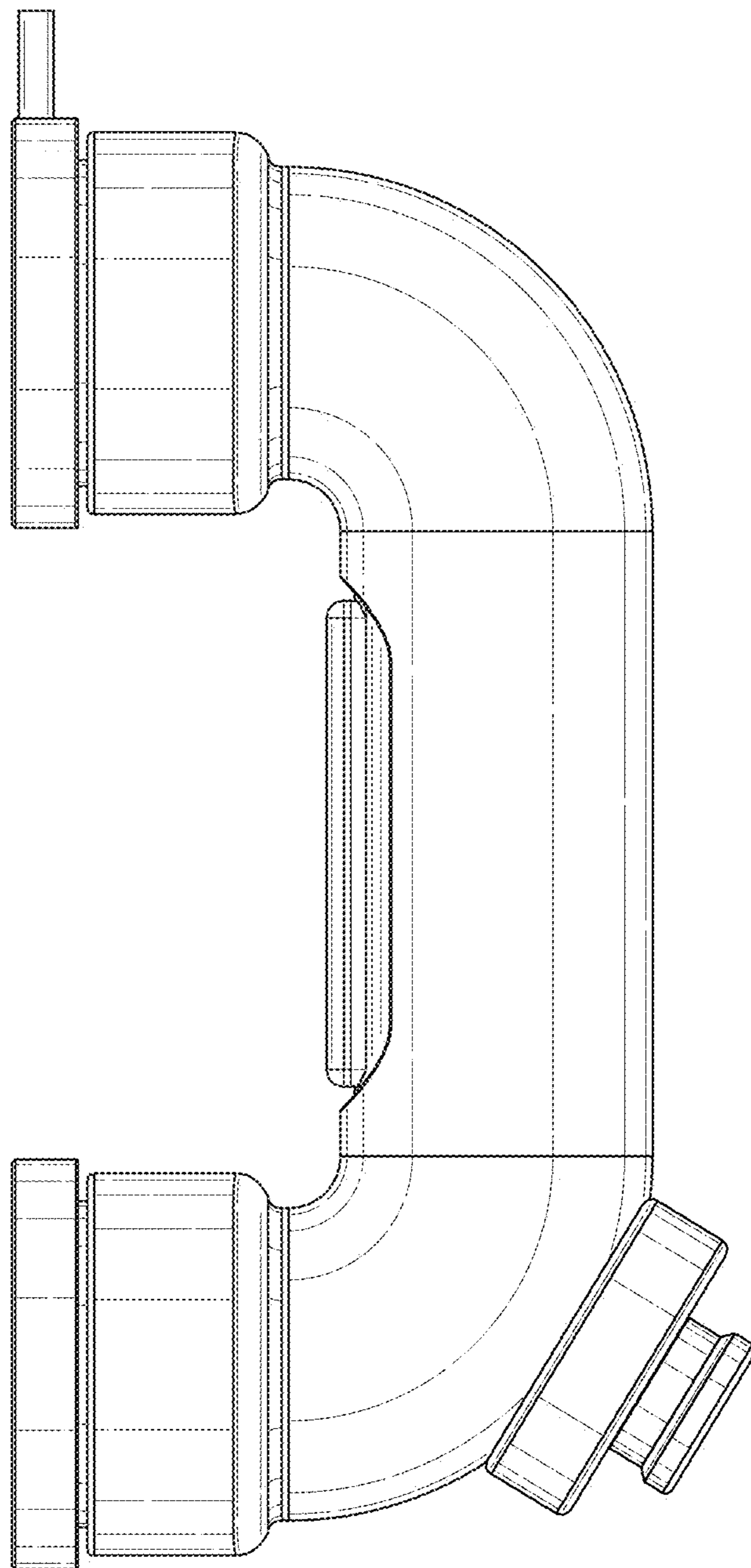


FIG. 7



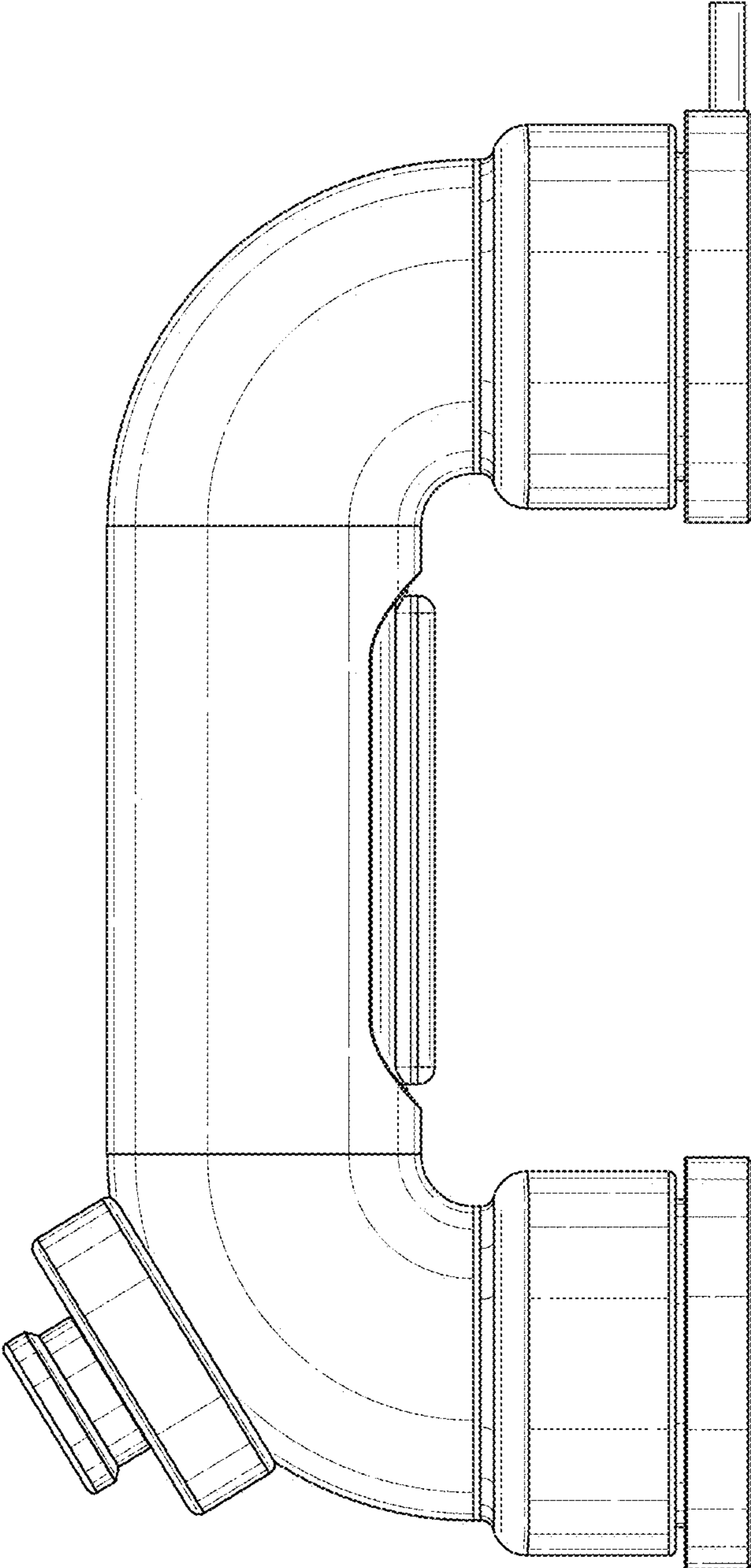


FIG. 8