



US00D763334S

(12) **United States Design Patent**  
**Yoshitomi**

(10) **Patent No.:** **US D763,334 S**

(45) **Date of Patent:** **\*\* Aug. 9, 2016**

(54) **VACUUM SEALER**

(71) Applicant: **OAK LAWN MARKETING, INC.**,  
Nagoya-Shi, Aichi (JP)

(72) Inventor: **Junichi Yoshitomi**, Chiba (JP)

(73) Assignee: **OAK LAWN MARKETING, INC.** (JP)

(\*\*) Term: **14 Years**

(21) Appl. No.: **29/501,229**

(22) Filed: **Sep. 2, 2014**

(30) **Foreign Application Priority Data**

Mar. 7, 2014 (JP) ..... 2014-004866

(51) **LOC (10) Cl.** ..... **15-99**

(52) **U.S. Cl.**  
USPC ..... **D15/146**

(58) **Field of Classification Search**  
USPC ..... D15/122-147; 53/512; D14/420-425;  
D18/50; D3/282, 204, 294  
See application file for complete search history.

(56) **References Cited**

**U.S. PATENT DOCUMENTS**

D295,416	S	*	4/1988	Glaberson	.....	D14/422
5,048,269	A	*	9/1991	Deni	.....	B29C 66/861 53/512
D339,576	S	*	9/1993	Sawada	.....	D14/462
D342,271	S	*	12/1993	Keng	.....	D15/146
D345,353	S	*	3/1994	Dietrich	.....	D14/462
D384,807	S	*	10/1997	Dougherty	.....	D3/204
D384,945	S	*	10/1997	Takada	.....	D14/420
D394,429	S	*	5/1998	Chen	.....	D14/422
D412,013	S	*	7/1999	Karten	.....	D18/50
D473,376	S	*	4/2003	Abate	.....	D3/294
D475,996	S	*	6/2003	Skulley	.....	D14/223
D497,940	S	*	11/2004	Hwang	.....	D18/50
D501,859	S	*	2/2005	Presta	.....	
D506,214	S	*	6/2005	Zepter	.....	D15/146

D527,182	S	*	8/2006	Ham	.....	D3/274
D536,355	S	*	2/2007	Levsen	.....	D15/146
D556,253	S	*	11/2007	Hong	.....	D18/50
D579,938	S	*	11/2008	Romanoff	.....	D14/422
D597,572	S	*	8/2009	Tsai	.....	D15/146
D608,803	S		1/2010	Hageman et al.	.....	
D624,573	S		9/2010	Hall et al.	.....	
D624,574	S		9/2010	Hall et al.	.....	
D631,479	S	*	1/2011	Komuro	.....	D14/422
D633,118	S		2/2011	Beatty et al.	.....	

(Continued)

**FOREIGN PATENT DOCUMENTS**

JP 1359213 S 5/2009

*Primary Examiner* — Susan Bennett Hattan

*Assistant Examiner* — Brett Miller

(74) *Attorney, Agent, or Firm* — Polsinelli PC

(57) **CLAIM**

I claim the ornamental design for a vacuum sealer, as shown and described.

**DESCRIPTION**

FIG. 1 is a perspective view of a vacuum sealer in a closed configuration;

FIG. 2 is a top plan view thereof;

FIG. 3 is a bottom plan view thereof;

FIG. 4 is a front elevational view thereof;

FIG. 5 is a rear elevational view thereof;

FIG. 6 is a right side elevational view thereof; and

FIG. 7 is a left side elevational view thereof;

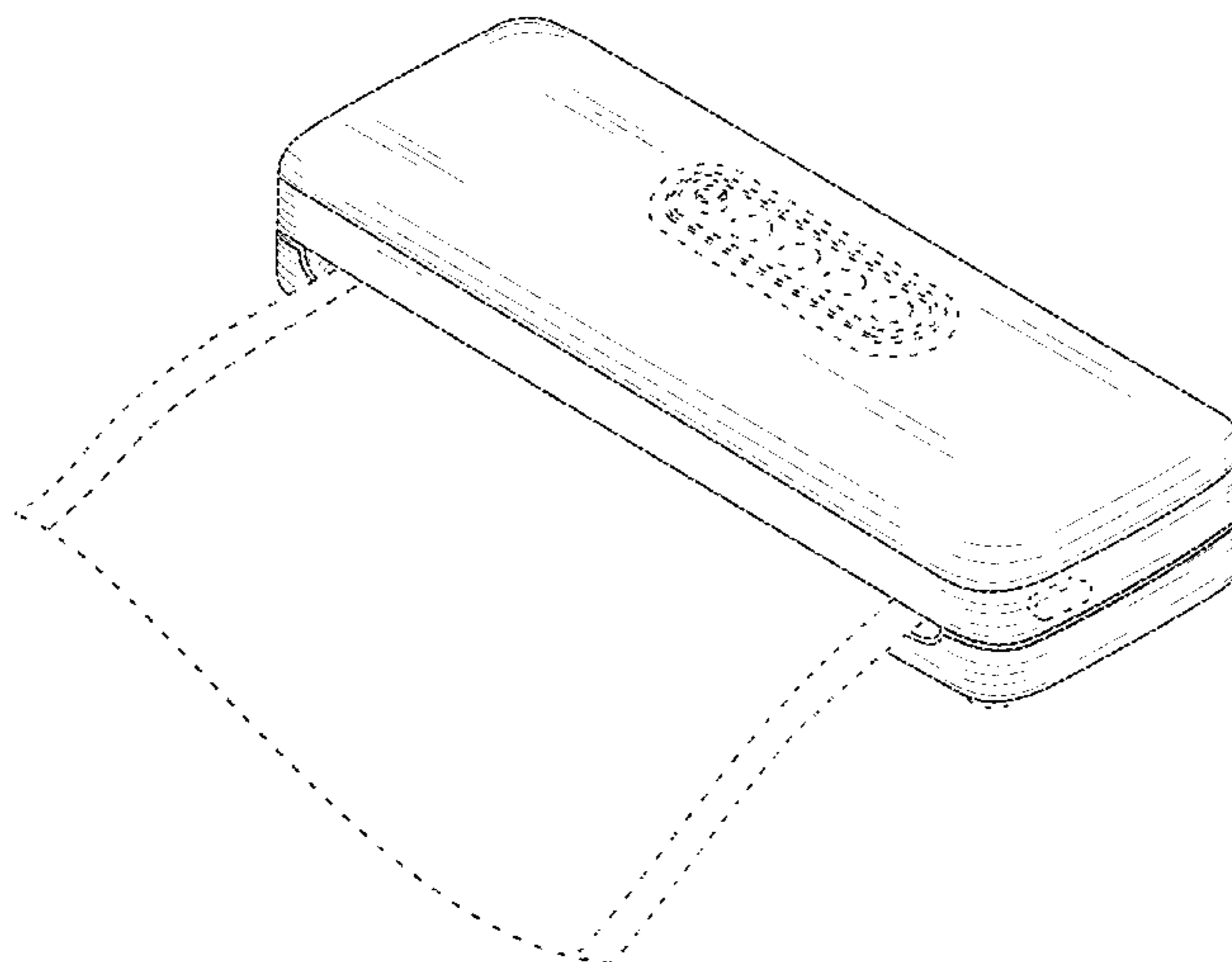
FIG. 8 is a perspective view of the vacuum sealer in an open configuration;

FIG. 9 is a perspective view of the vacuum sealer in an open, working configuration; and,

FIG. 10 is a perspective view of the vacuum sealer in a closed, working configuration.

Broken lines depict unclaimed portions of the vacuum sealer; broken lines form no part of the claimed design.

**1 Claim, 6 Drawing Sheets**



(56)

References Cited

U.S. PATENT DOCUMENTS

D648,378 S *	11/2011	Ishikawa .....	D18/50	D706,846 S *	6/2014	Rim .....	D15/145
D663,331 S	7/2012	Day et al.		D721,394 S *	1/2015	Rim .....	D15/146
D682,329 S *	5/2013	Day .....	D15/146	D726,728 S *	4/2015	Seki .....	D14/421
D682,834 S *	5/2013	Ishikawa .....	D14/422	D740,547 S *	10/2015	Gorouvein .....	D3/11
D684,762 S *	6/2013	Cho .....	D3/204	2005/0022480 A1 *	2/2005	Brakes .....	B65B 31/046
D687,079 S *	7/2013	Mueller .....	D15/146				53/512
D698,836 S *	2/2014	Rim .....	D15/145	2005/0050855 A1 *	3/2005	Baptista .....	B65B 51/8146
D702,236 S *	4/2014	Gelinotte .....	D14/420				53/434
D706,269 S *	6/2014	Qian .....	D14/422	2006/0151120 A1 *	7/2006	Matlin .....	B32B 37/0046
							156/583.1
				2012/0060447 A1 *	3/2012	Liu .....	B65B 31/048
							53/512

\* cited by examiner

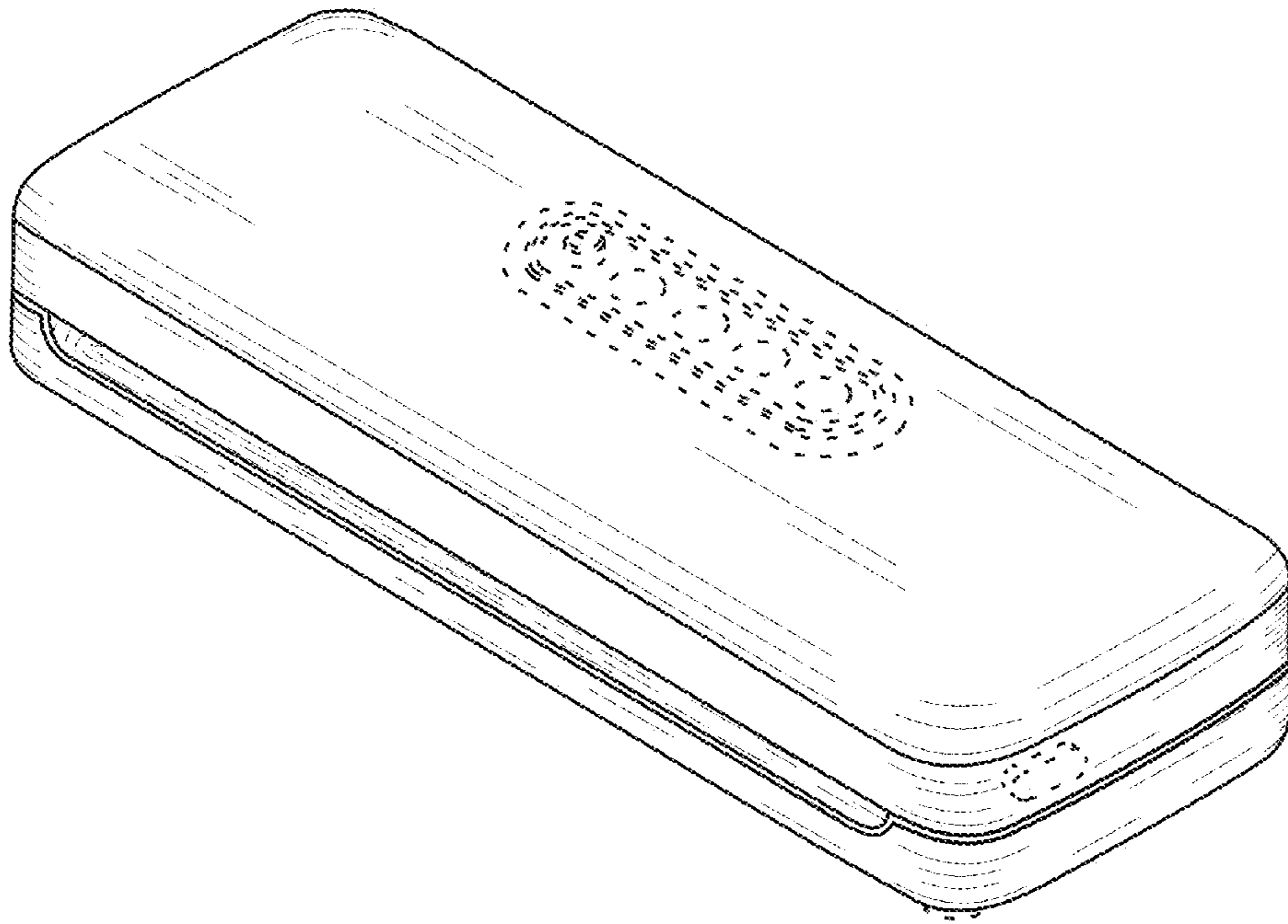


FIG. 1

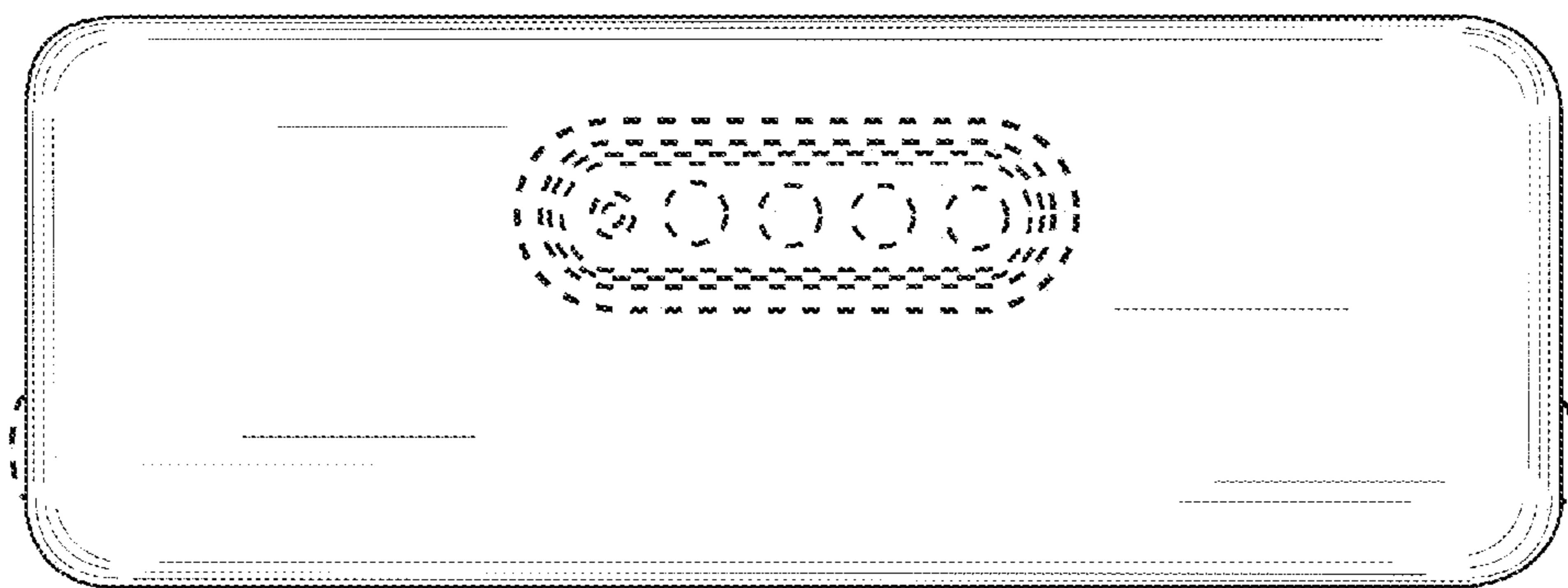


FIG. 2

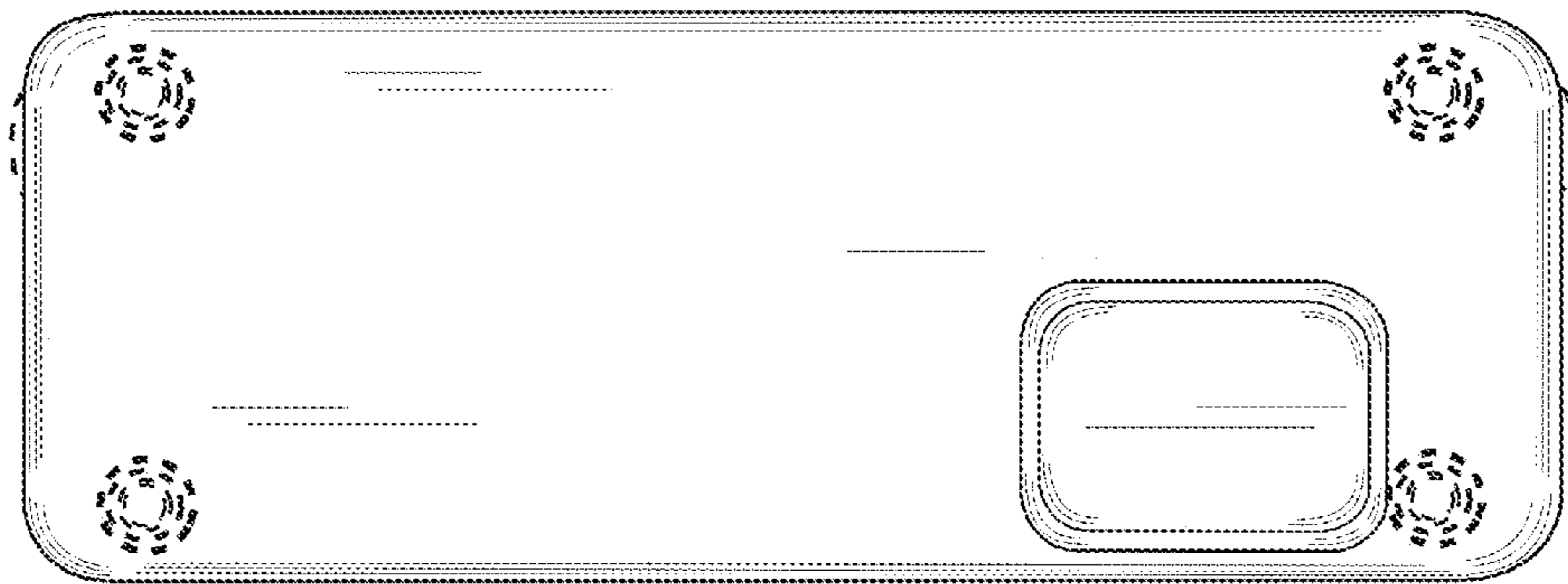


FIG. 3

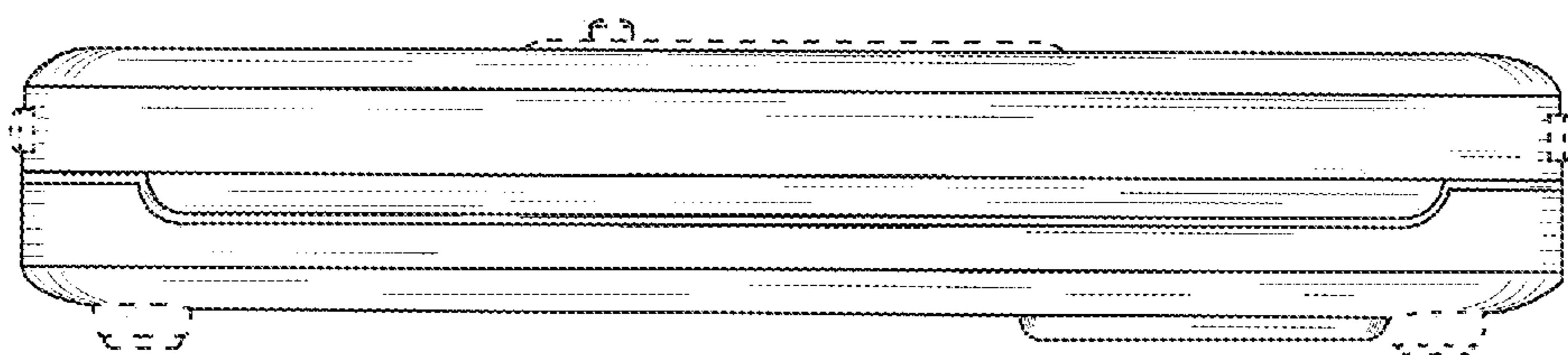


FIG. 4

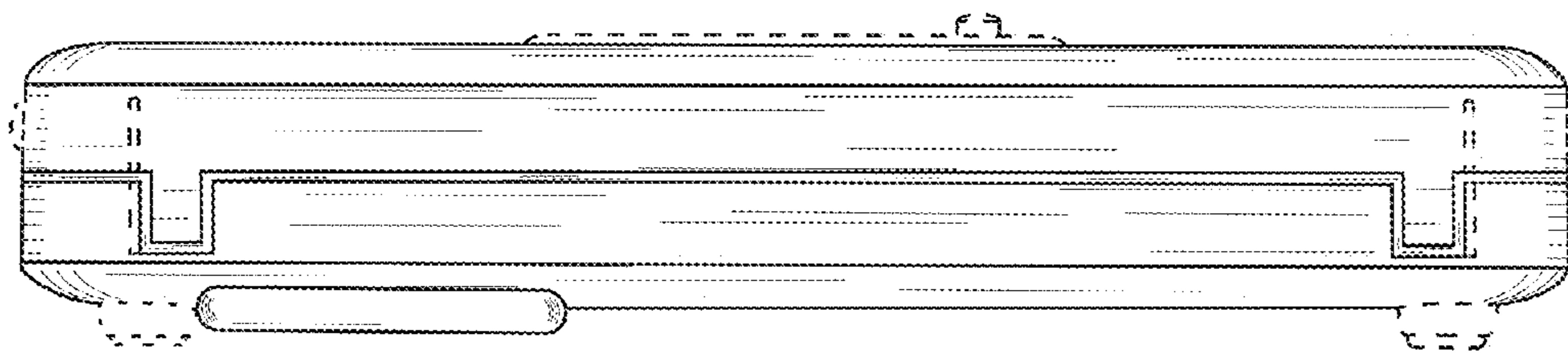


FIG. 5

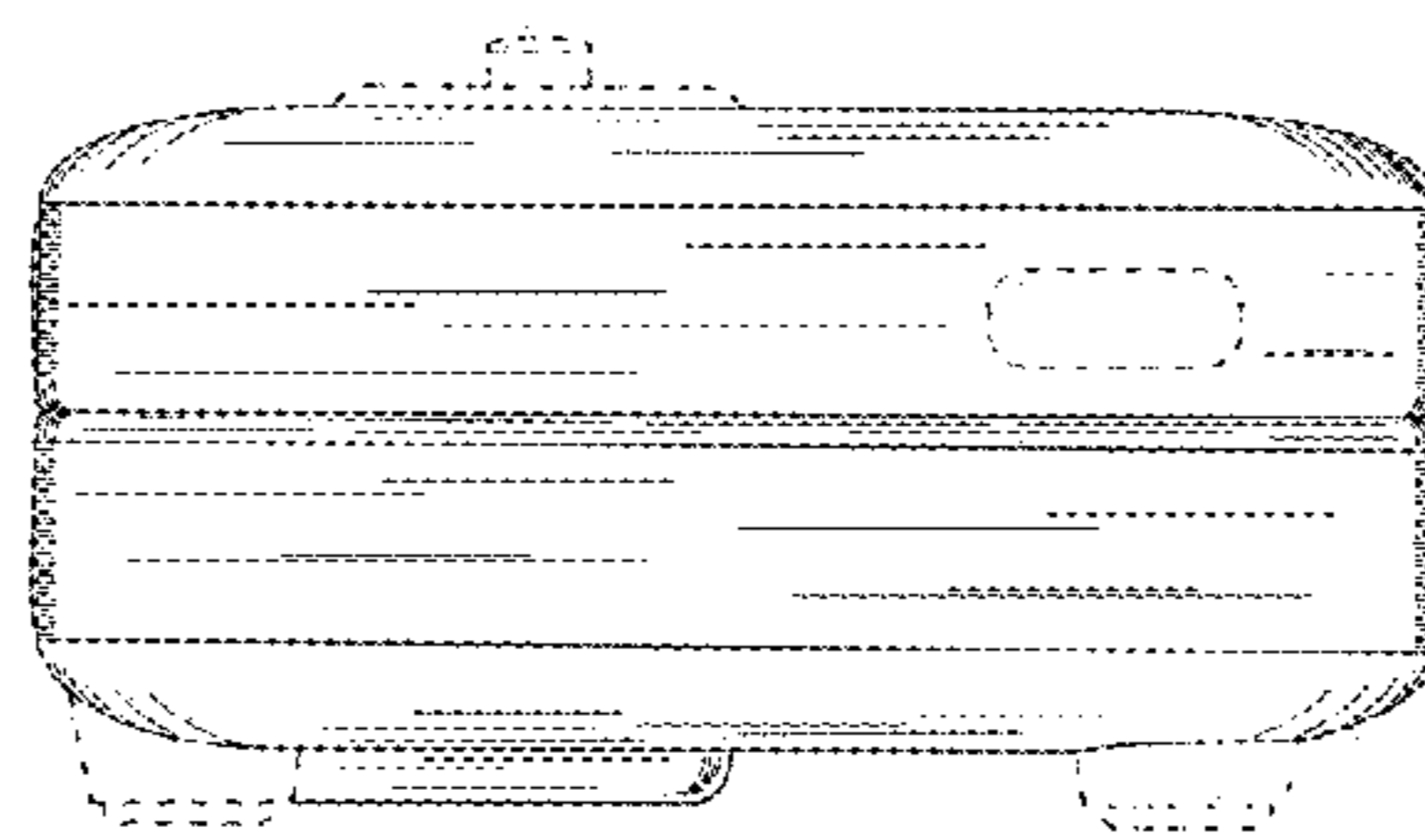


FIG. 6

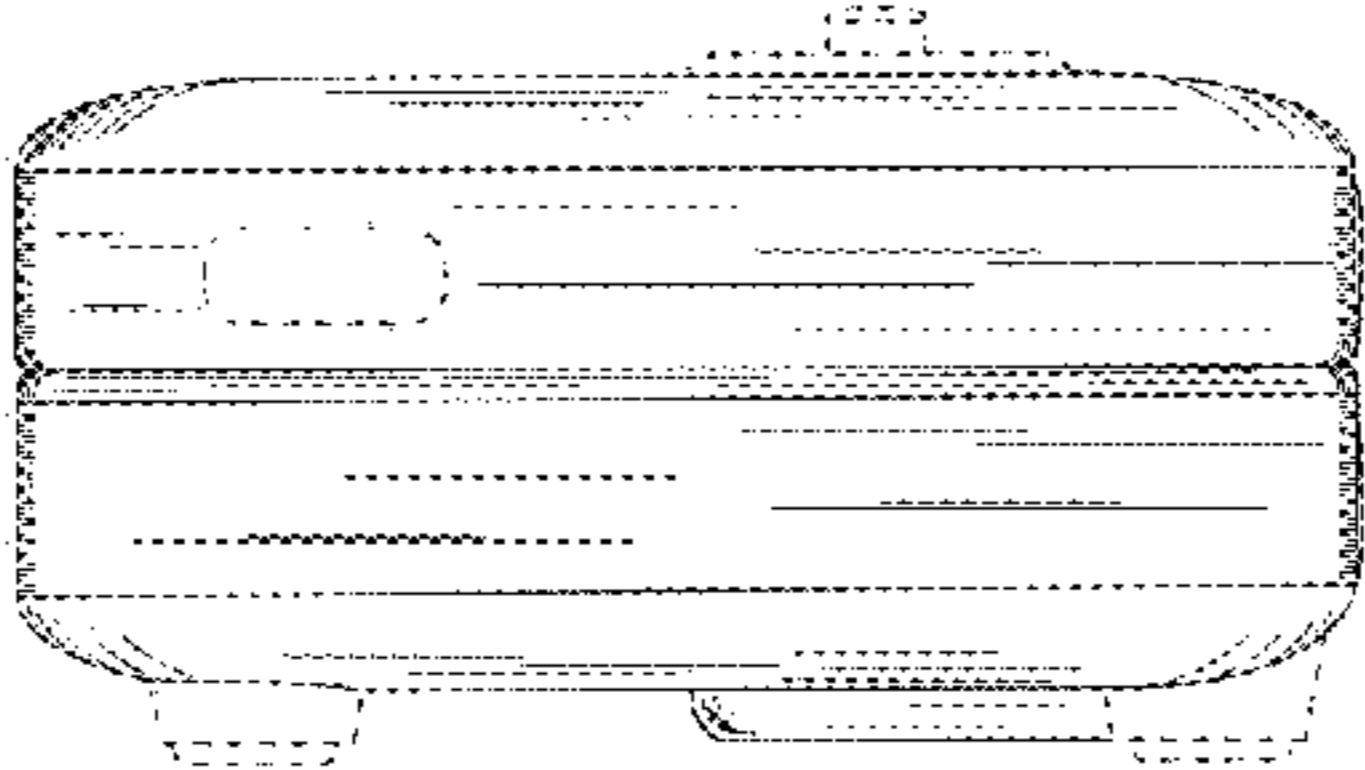


FIG. 7

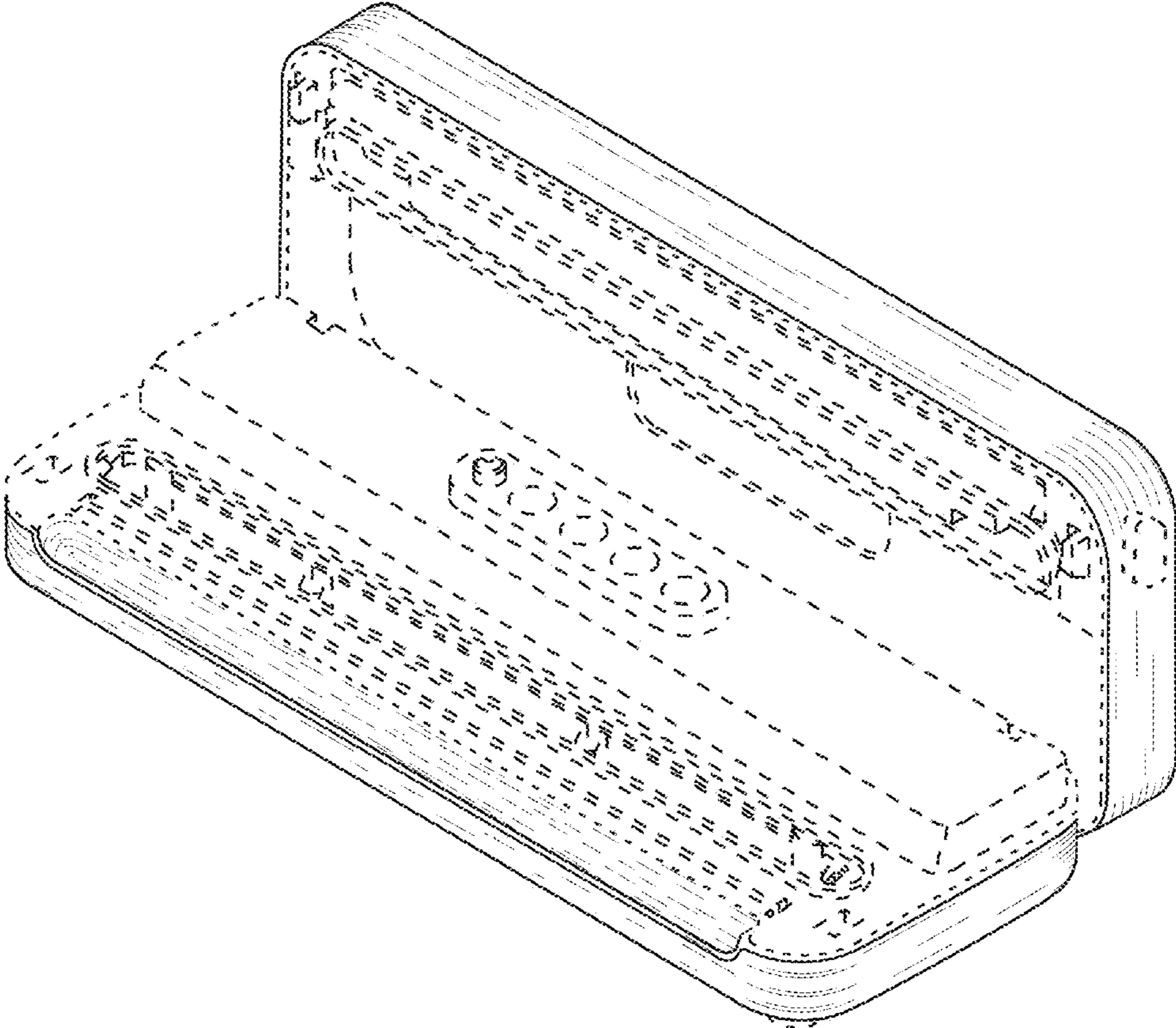


FIG. 8

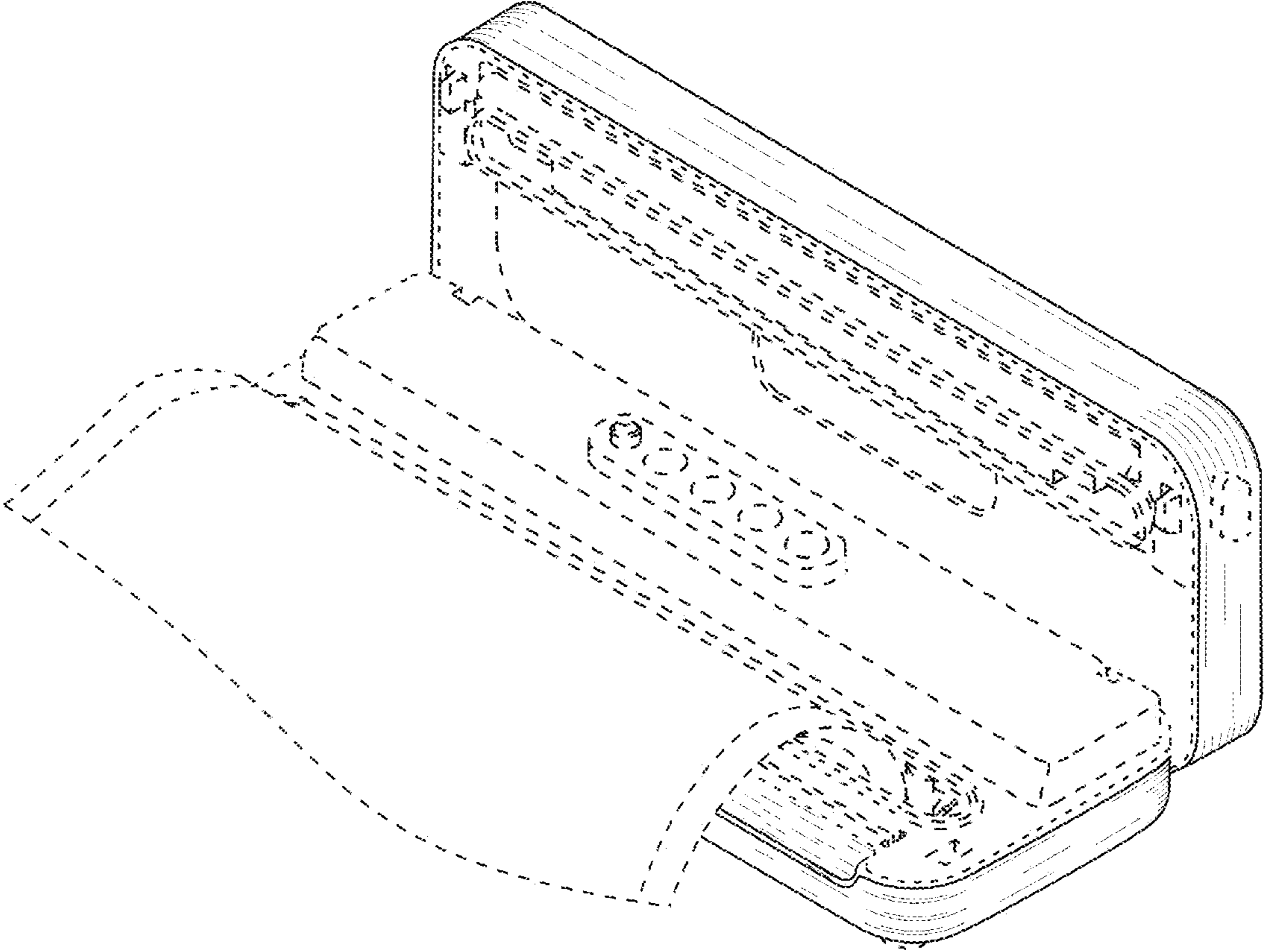


FIG. 9

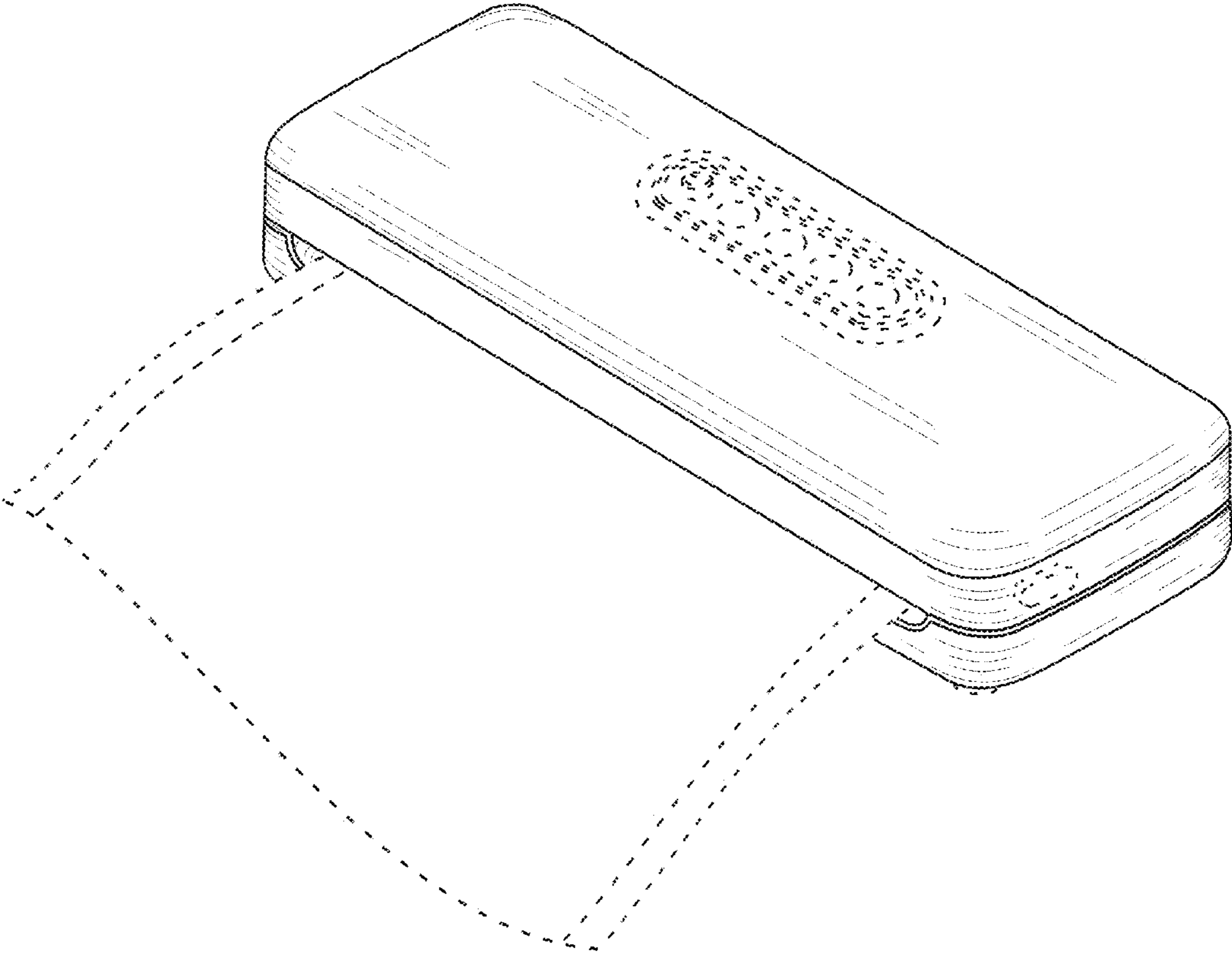


FIG. 10