



US00D763332S

(12) **United States Design Patent**
Wu

(10) **Patent No.:** **US D763,332 S**
(45) **Date of Patent:** **** Aug. 9, 2016**

(54) **3D PRINTHEAD**
(71) Applicant: **Huai Wu**, Fuzhou (CN)
(72) Inventor: **Huai Wu**, Fuzhou (CN)
(**) Term: **15 Years**
(21) Appl. No.: **29/528,716**
(22) Filed: **May 31, 2015**
(51) **LOC (10) Cl.** **15-08**
(52) **U.S. Cl.**
USPC **D15/138**
(58) **Field of Classification Search**
USPC D15/122, 135, 138; D18/19, 50, 54.1,
D18/54, 55, 59
See application file for complete search history.

8,827,684 B1 * 9/2014 Schumacher B29C 67/0085
264/308
D722,108 S * 2/2015 Reches D18/50
8,945,456 B2 * 2/2015 Zenere B29C 67/0066
264/401
D732,588 S * 6/2015 Lin D15/122
D738,410 S * 9/2015 Liu D15/122
D739,885 S * 9/2015 Lee D15/122
9,126,367 B1 * 9/2015 Mark B29C 67/0085
9,132,676 B2 * 9/2015 Bigford B41J 2/1752
D740,863 S * 10/2015 Kemperle D15/122
9,156,205 B2 * 10/2015 Mark B29C 67/0055
9,174,453 B1 * 11/2015 Dodd B41J 2/17506
D745,069 S * 12/2015 Kemperle D15/122
D749,154 S * 2/2016 Kemperle D15/122
D749,155 S * 2/2016 Kemperle D15/122
D749,157 S * 2/2016 Seidenberg D15/138
D751,612 S * 3/2016 Kojima D15/122
D752,661 S * 3/2016 Anantha D15/122
9,285,583 B2 * 3/2016 Hudson G02B 26/123
9,290,027 B2 * 3/2016 Nagata B41J 25/34
2004/0262803 A1 * 12/2004 Neilsen B29C 67/0059
264/113
2006/0192322 A1 * 8/2006 Abe B22F 3/1055
264/497

(56) **References Cited**

U.S. PATENT DOCUMENTS

5,885,511 A * 3/1999 Heller B29C 41/36
264/308
5,939,008 A * 8/1999 Comb B29C 67/0062
264/308
7,027,887 B2 * 4/2006 Gaylo B22F 3/1055
101/480
7,168,935 B1 * 1/2007 Taminger B23K 15/0073
219/121.12
7,249,822 B2 * 7/2007 Silverbrook B41J 2/04541
347/40
7,441,865 B2 * 10/2008 Silverbrook B41J 2/14427
347/40
7,686,995 B2 * 3/2010 Davidson B29C 41/12
264/113
7,703,890 B2 * 4/2010 Silverbrook B41J 2/14314
347/54
7,819,055 B2 * 10/2010 Tezuka B41J 3/4073
101/35
8,252,223 B2 * 8/2012 Medina B29C 67/0059
264/308
8,568,649 B1 * 10/2013 Balistreri B29C 67/0081
264/642
8,708,685 B2 * 4/2014 Hickerson B29C 67/0077
359/733

* cited by examiner

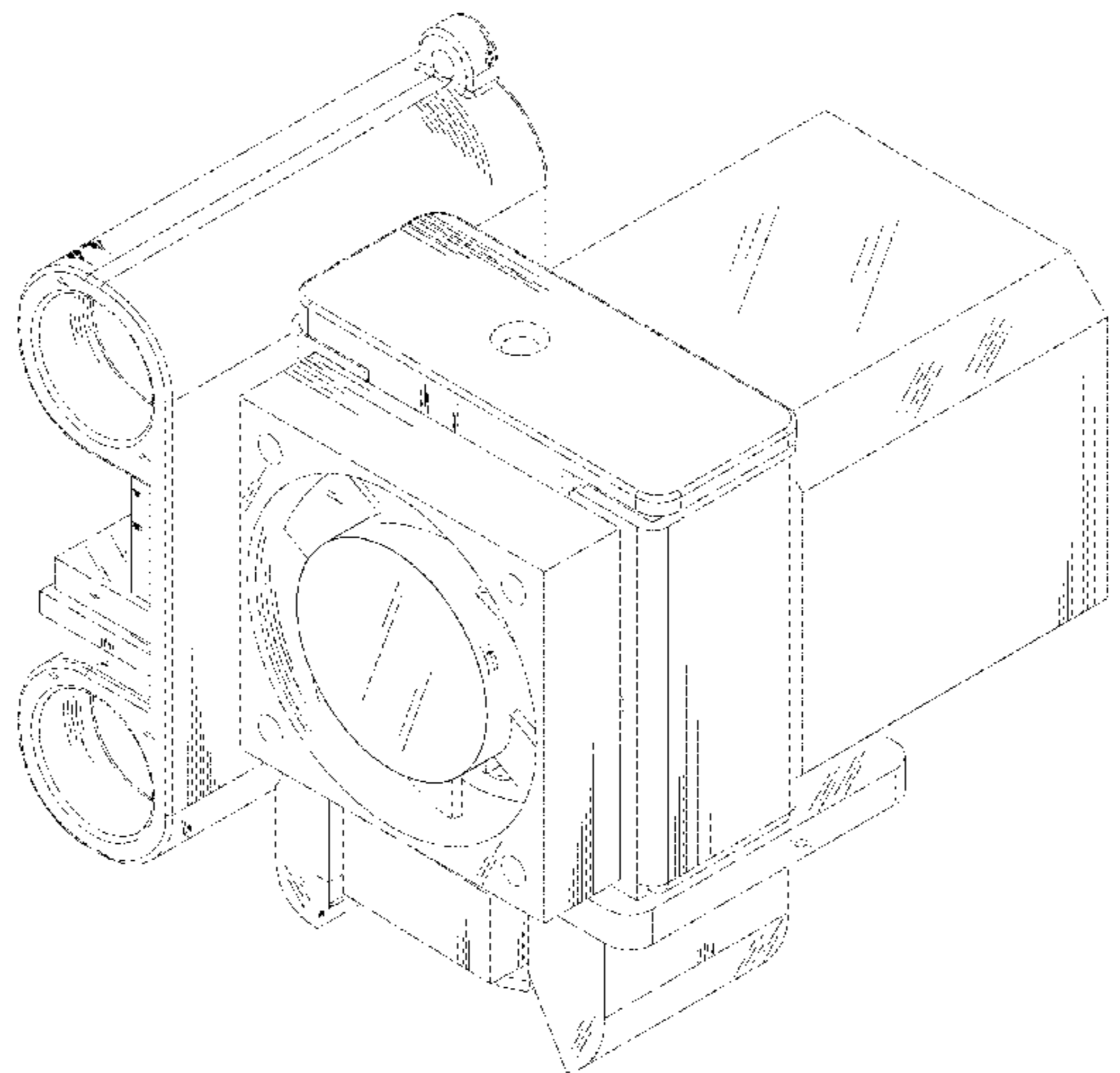
Primary Examiner — Patricia Palasik

(57) **CLAIM**
The ornamental design for a 3D printhead, as shown and described.

DESCRIPTION

FIG. 1 is a perspective view of a 3D printhead showing my new design;
FIG. 2 is a front elevational view thereof;
FIG. 3 is a rear elevational view thereof;
FIG. 4 is a left side view thereof;
FIG. 5 is a right side view thereof;
FIG. 6 is a top plan view thereof; and,
FIG. 7 is a bottom plan view thereof.
The broken lines in the drawings depict unclaimed environmental subject matter.

1 Claim, 7 Drawing Sheets



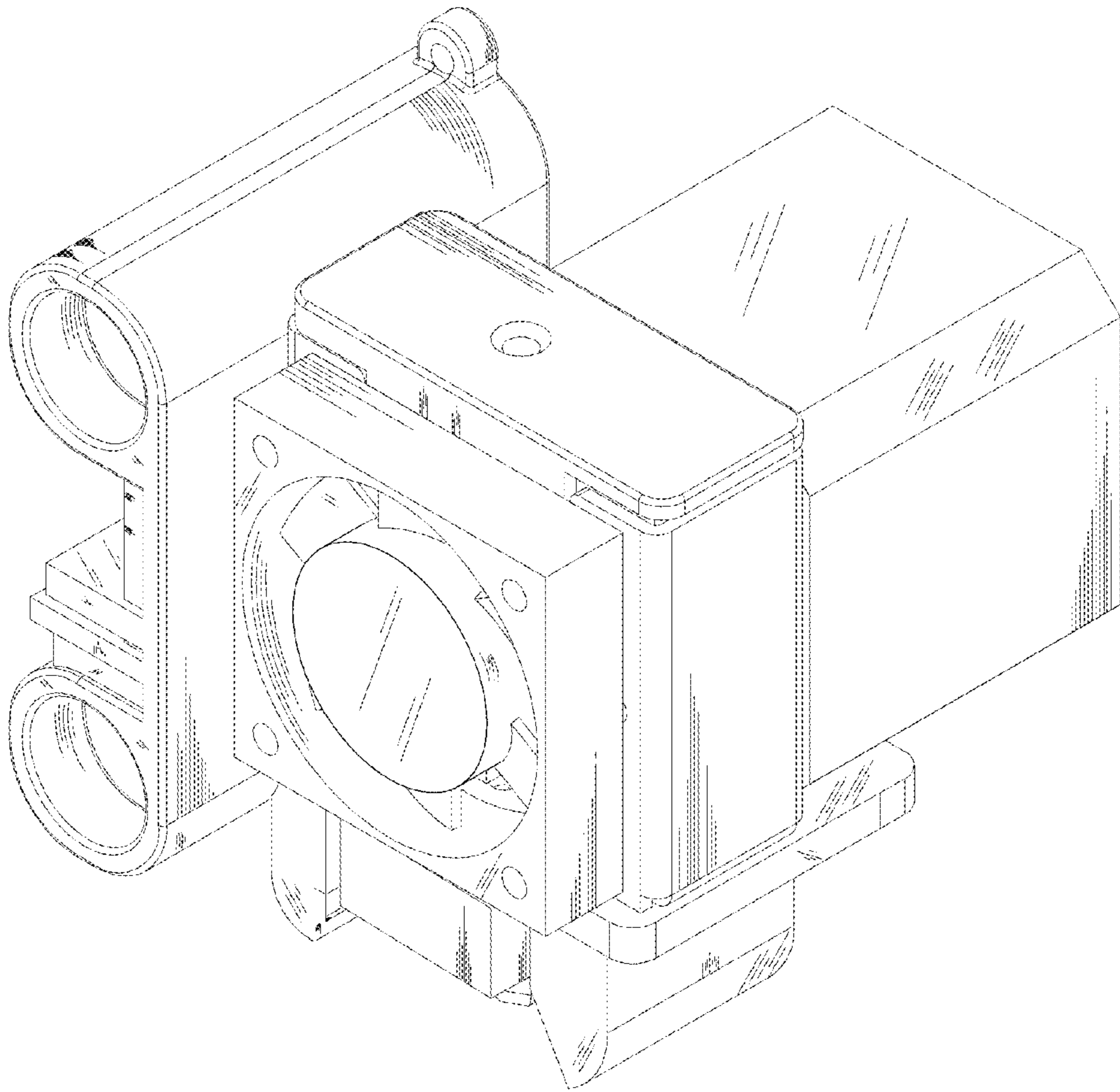


FIG.1

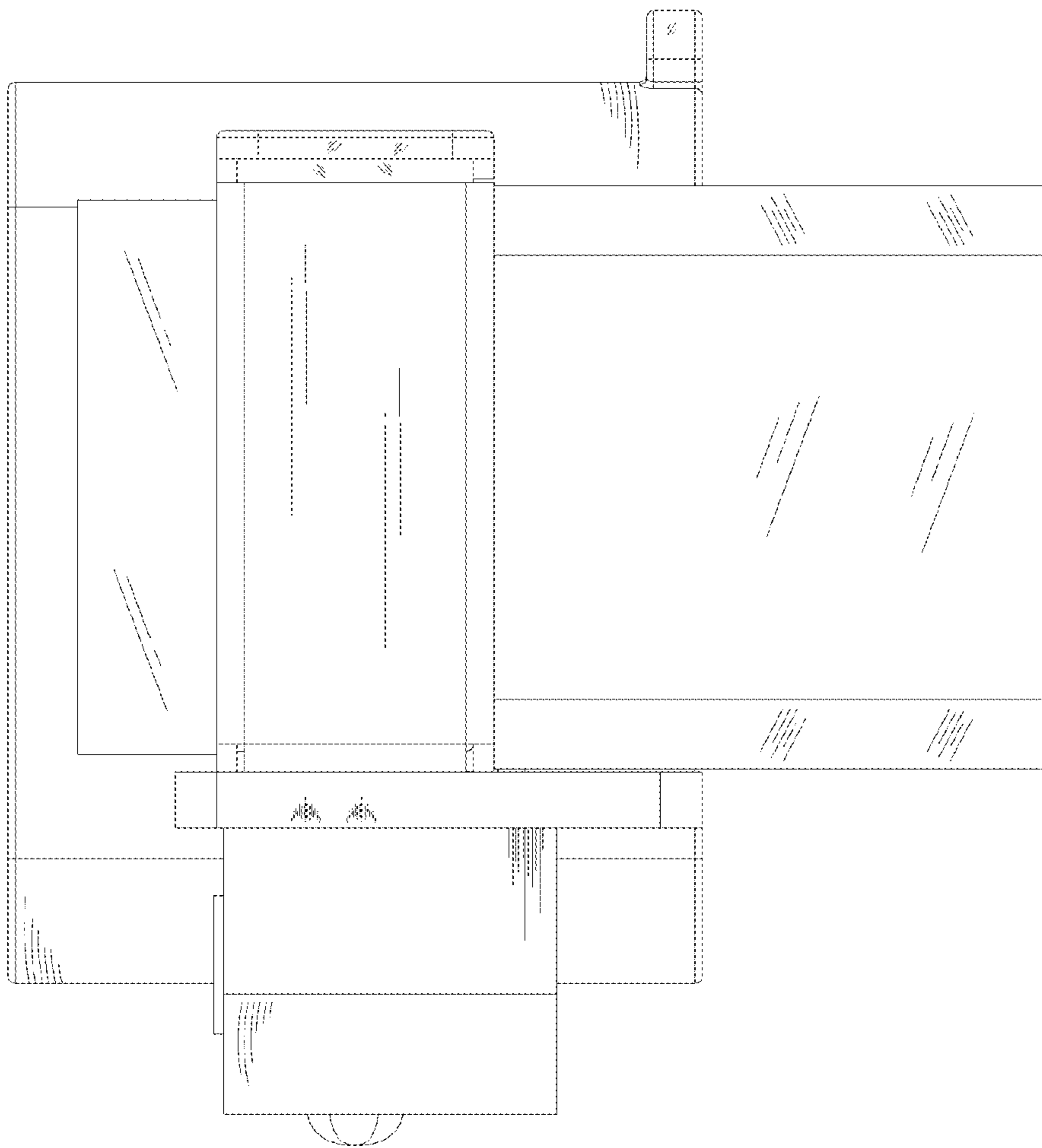


FIG.2

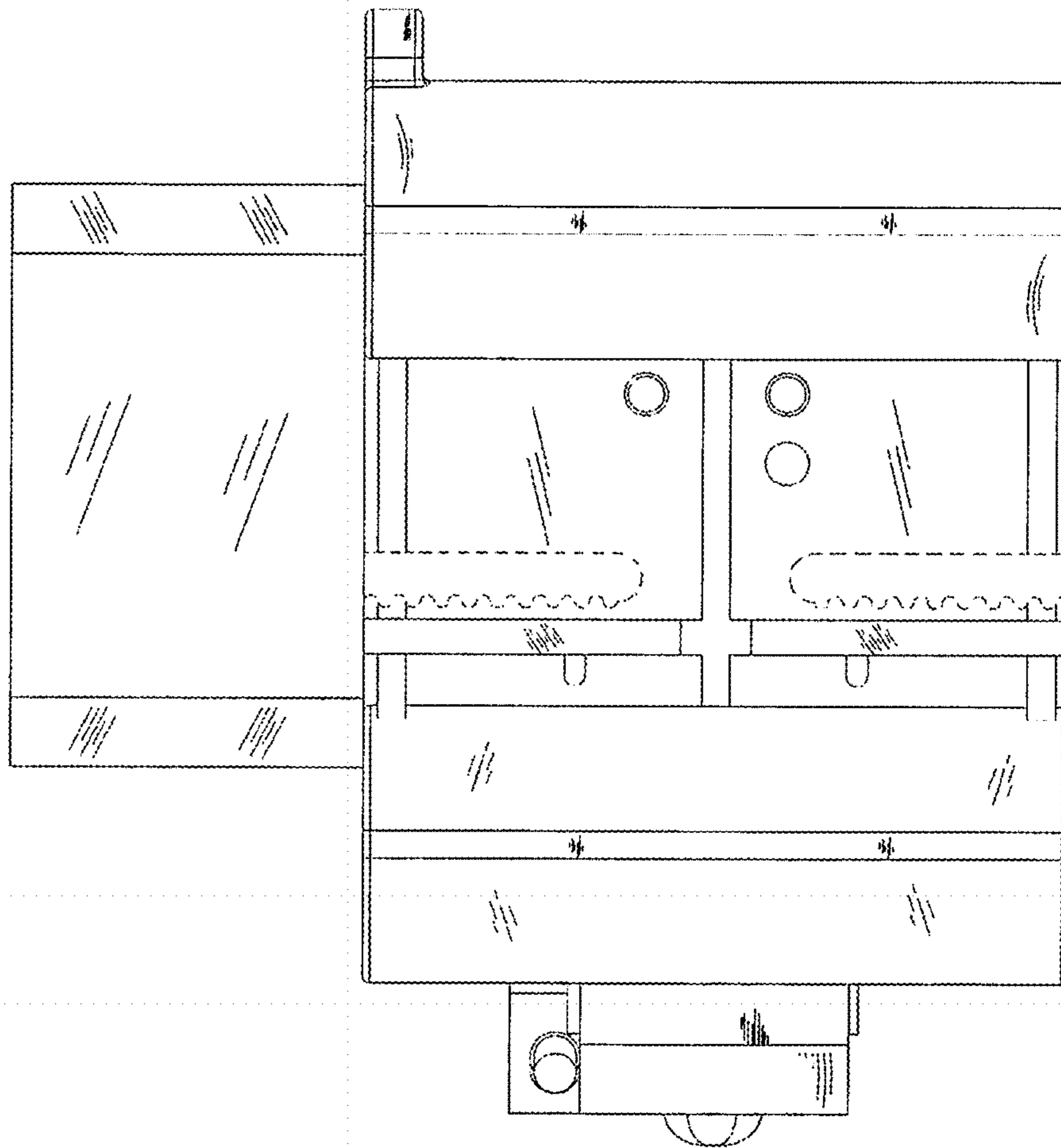


FIG.3

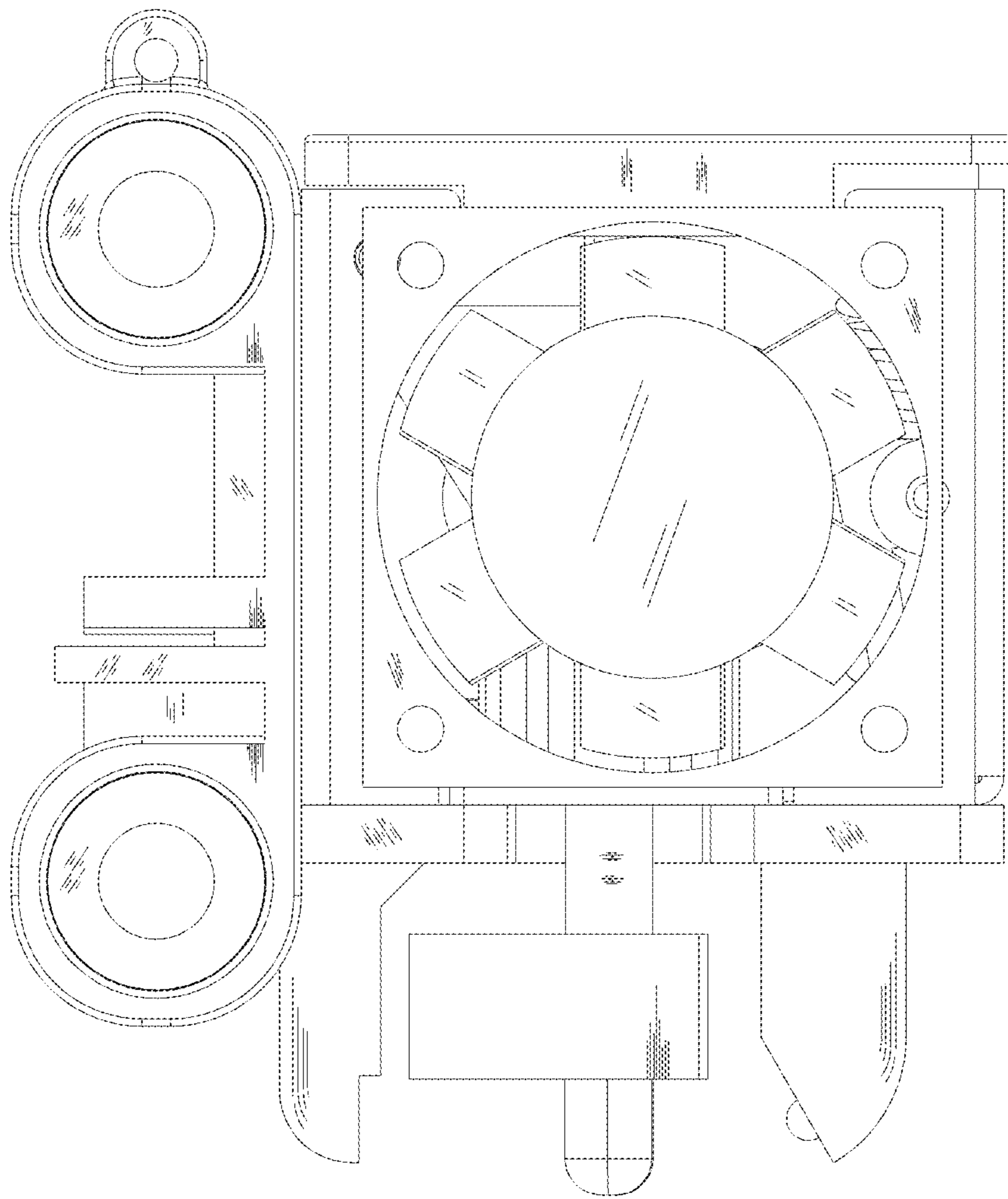


FIG.4

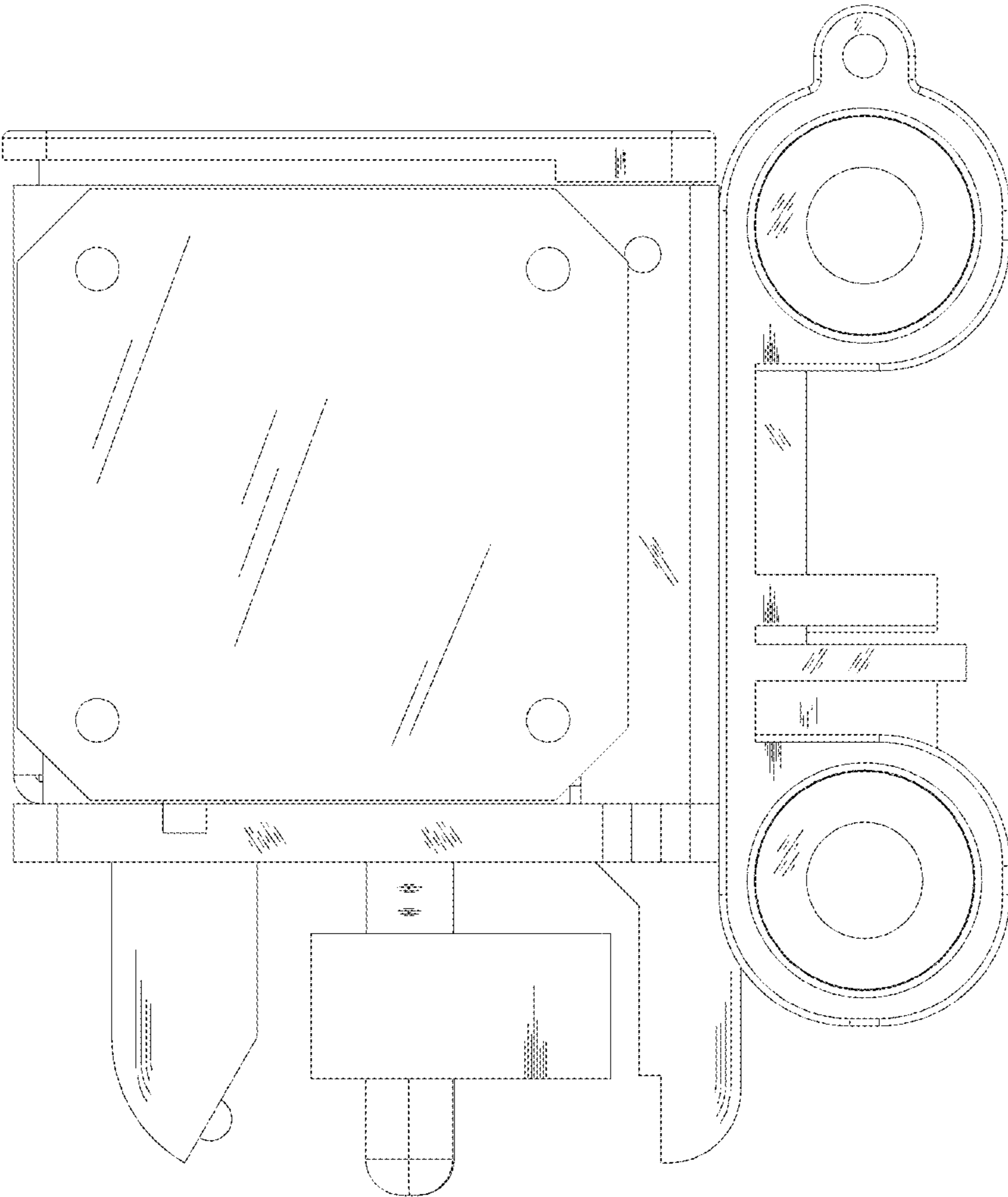


FIG.5

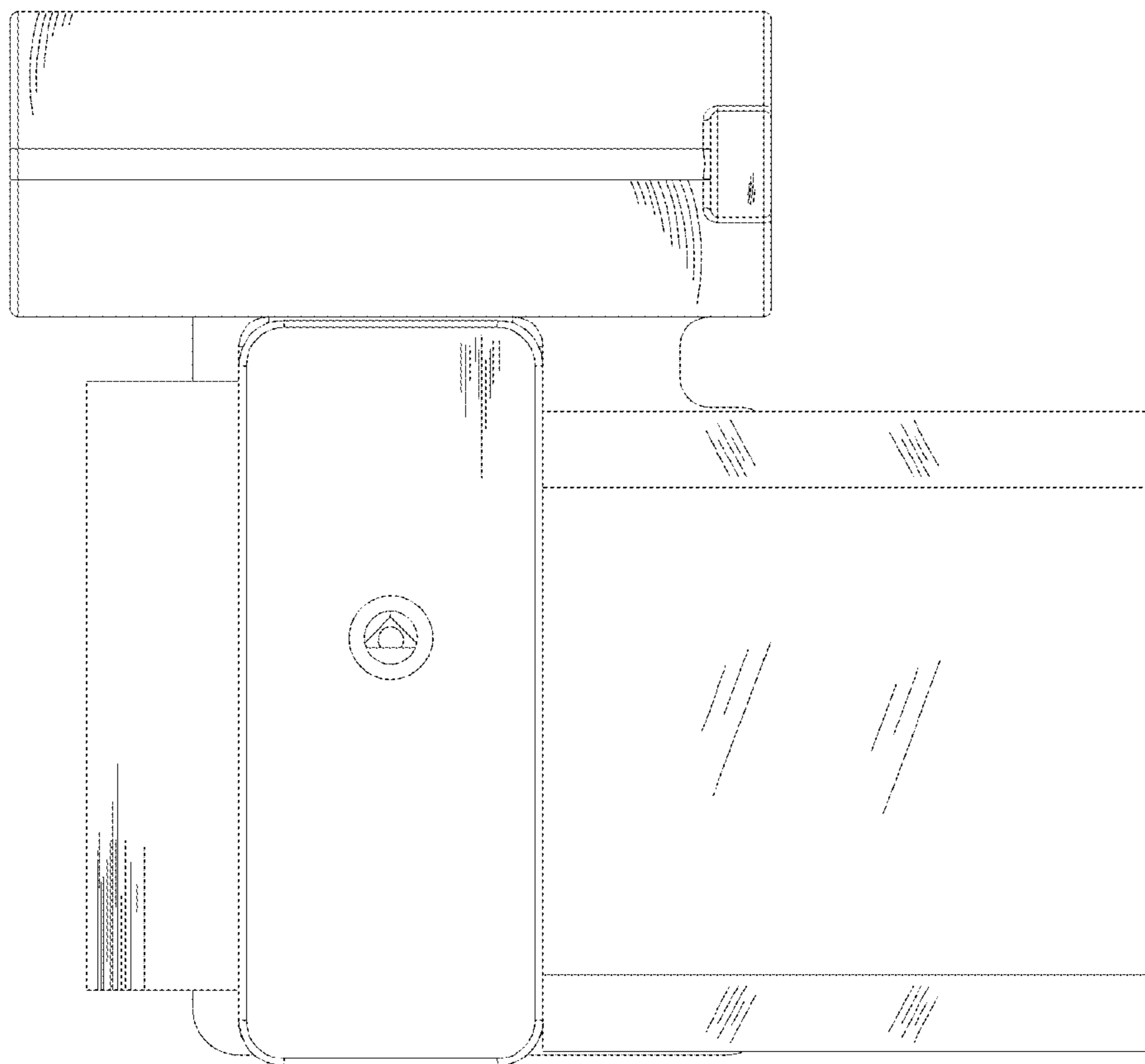


FIG.6

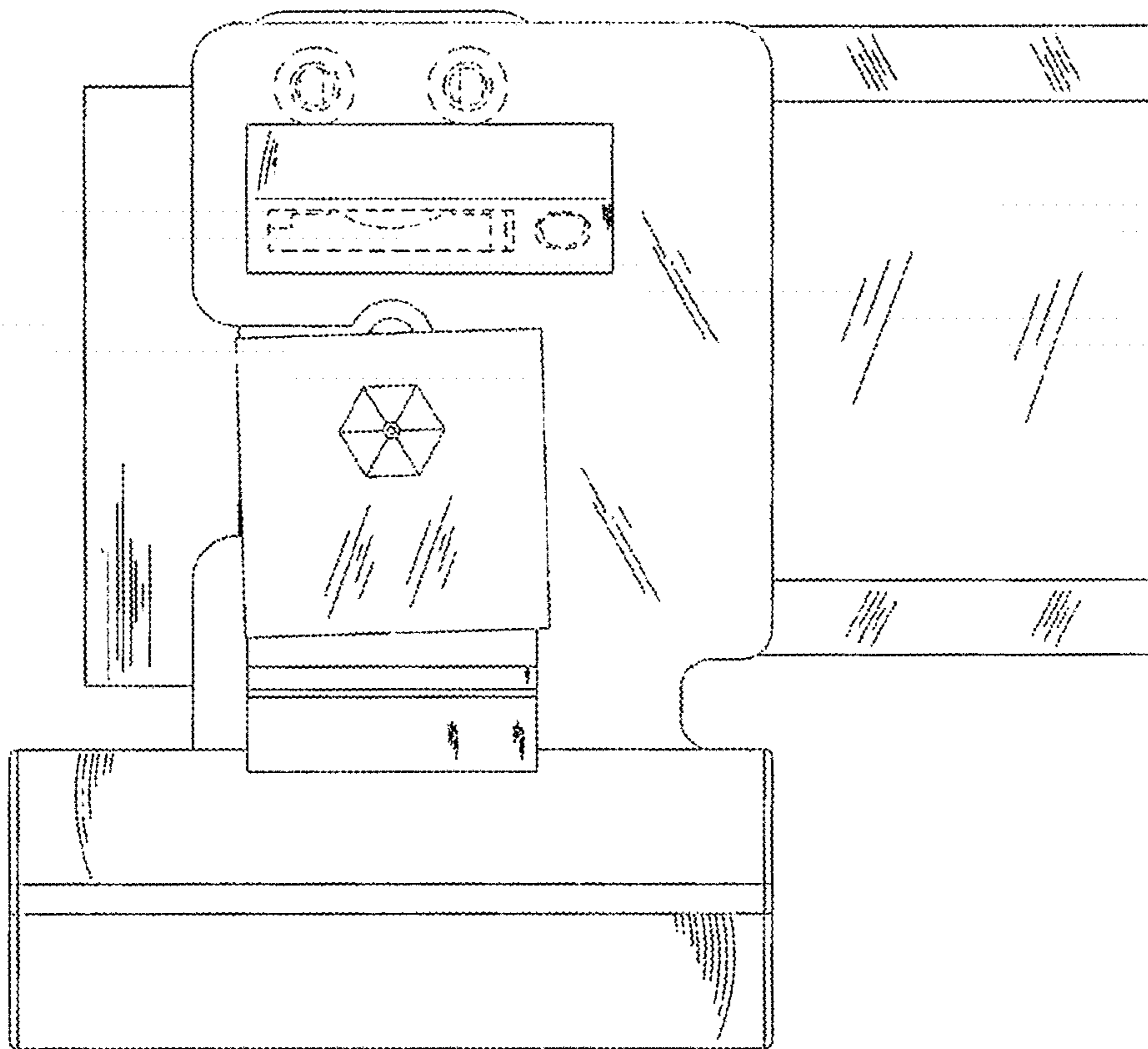


FIG. 7