



US00D763328S

(12) **United States Design Patent**  
**Kim et al.**

(10) **Patent No.:** **US D763,328 S**  
(45) **Date of Patent:** **\*\* Aug. 9, 2016**

(54) **ICE TRAY FOR REFRIGERATOR**

(71) Applicant: **Samsung Electronics Co., Ltd.**,  
Suwon-si (KR)  
(72) Inventors: **Jang Won Kim**, Seoul (KR); **Se Lim Yoon**, Goyang-si (KR); **Jae Min Lee**,  
Incheon (KR)

(73) Assignee: **Samsung Electronics Co., Ltd.**,  
Suwon-si (KR)

(\*\*) Term: **14 Years**

(21) Appl. No.: **29/514,335**

(22) Filed: **Jan. 12, 2015**

(30) **Foreign Application Priority Data**

Jul. 24, 2014 (KR) ..... 30-2014-0036467

(51) **LOC (10) Cl.** ..... **15-07**

(52) **U.S. Cl.**  
USPC ..... **D15/89**

(58) **Field of Classification Search**  
USPC ..... D15/79-91  
CPC ..... F25D 23/028; F25D 23/02; F25D 25/025;  
F25D 23/00; F25D 2323/021; F25D 11/00;  
F25D 2323/024; F25D 23/04; F25D 29/00;  
F25D 25/02; F25D 25/024; F25D 27/005;  
F25D 23/12; F25D 29/005; F25D 17/042;  
F25D 2325/021

See application file for complete search history.

(56) **References Cited**

U.S. PATENT DOCUMENTS

D549,745 S \* 8/2007 Coulter ..... D15/89  
D694,297 S \* 11/2013 Coulter ..... D15/89  
D712,440 S \* 9/2014 Coulter ..... D15/89  
D735,251 S \* 7/2015 Jeon ..... D15/89

\* cited by examiner

*Primary Examiner* — Daniel Bui

*Assistant Examiner* — Khawaja Anwar

(74) *Attorney, Agent, or Firm* — NSIP Law

(57) **CLAIM**

We claim the ornamental design for ice tray for refrigerator,  
as shown and described.

**DESCRIPTION**

FIG. 1 is the front perspective view of ice tray for refrigerator  
showing our new design;

FIG. 2 is the front view thereof;

FIG. 3 is the rear view thereof;

FIG. 4 is the left-side view thereof;

FIG. 5 is the right-side view thereof;

FIG. 6 is the top view thereof;

FIG. 7 is the bottom view thereof;

FIG. 8 is a front perspective view of the ice tray for refrigera-  
tor in which the door feature is shown in an open position;  
and,

FIG. 9 is a cross-sectional view taken along the lines 9-9 from  
FIG. 4.

The broken lines in the figure drawings represent unclaimed  
environment only and forms no part of the claimed design.

**1 Claim, 9 Drawing Sheets**

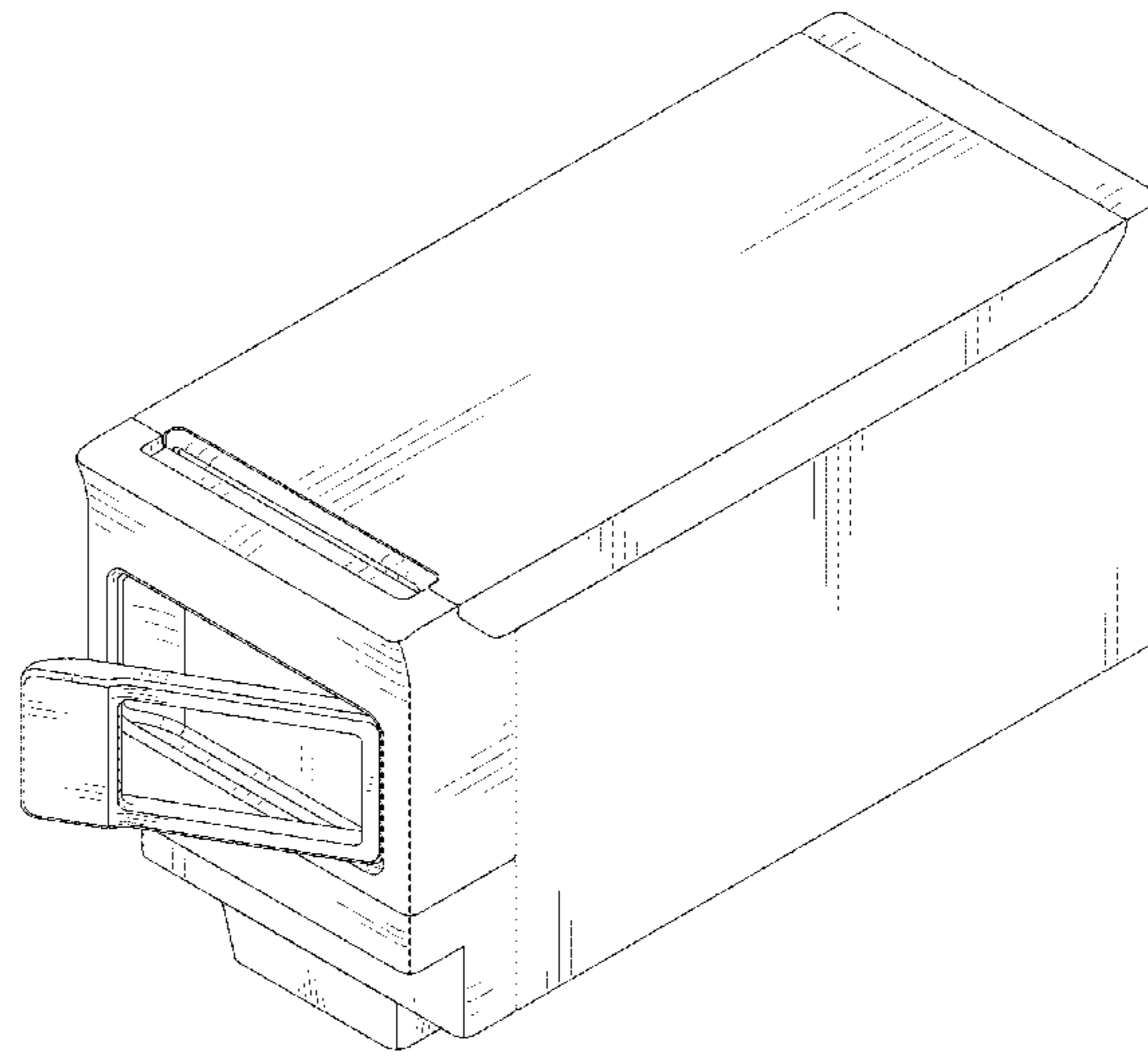
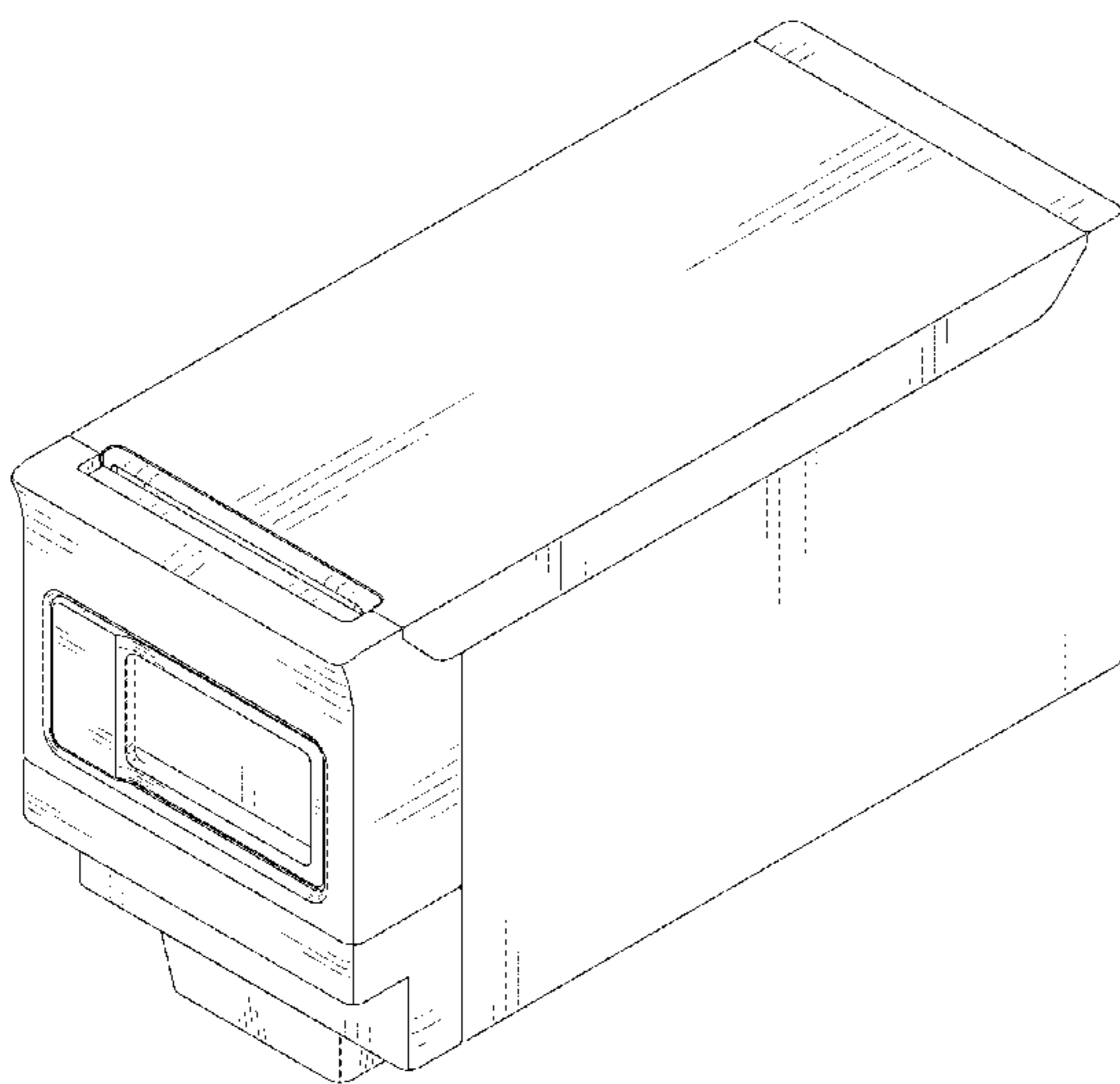


FIG. 1

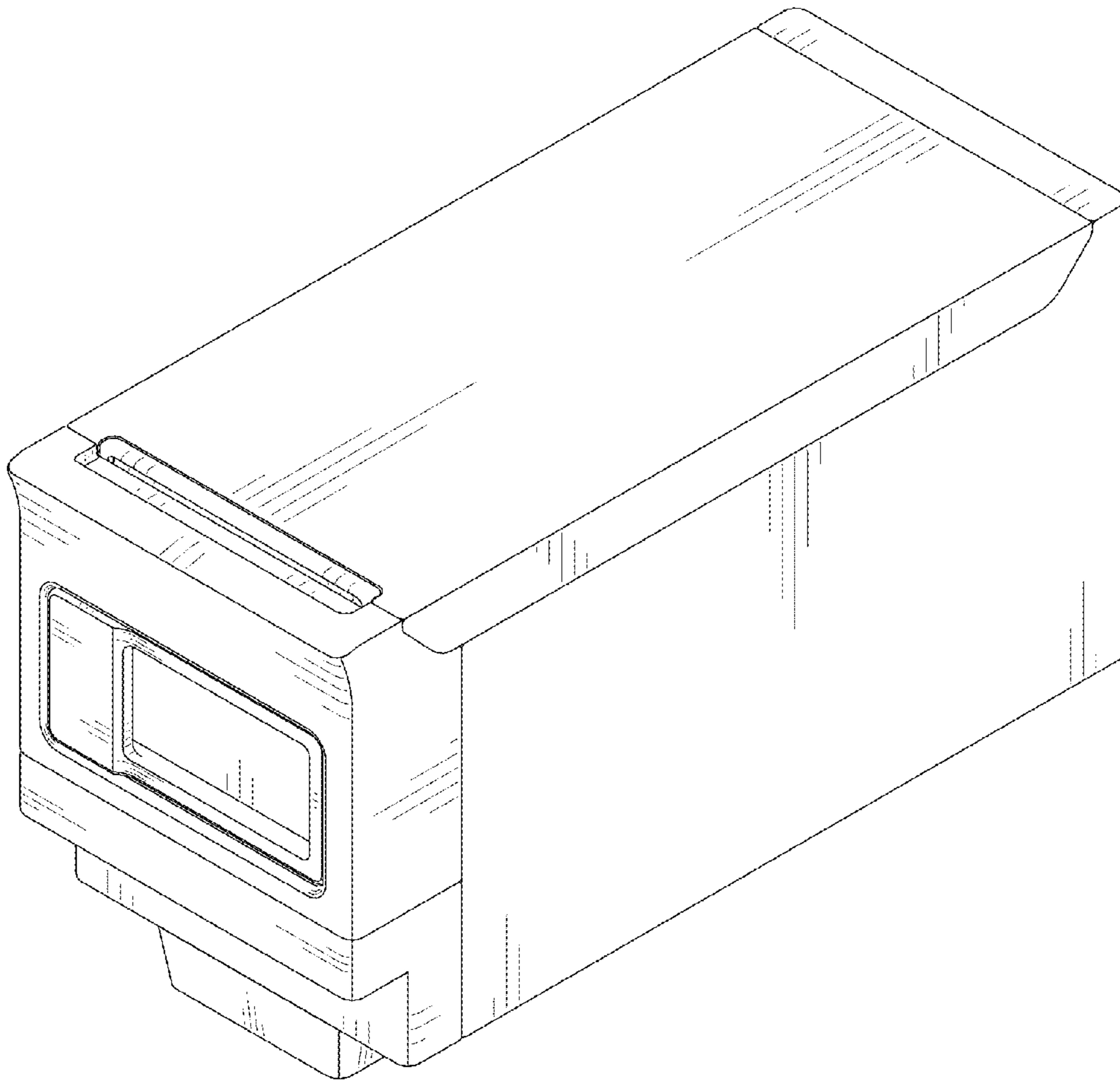


FIG. 2

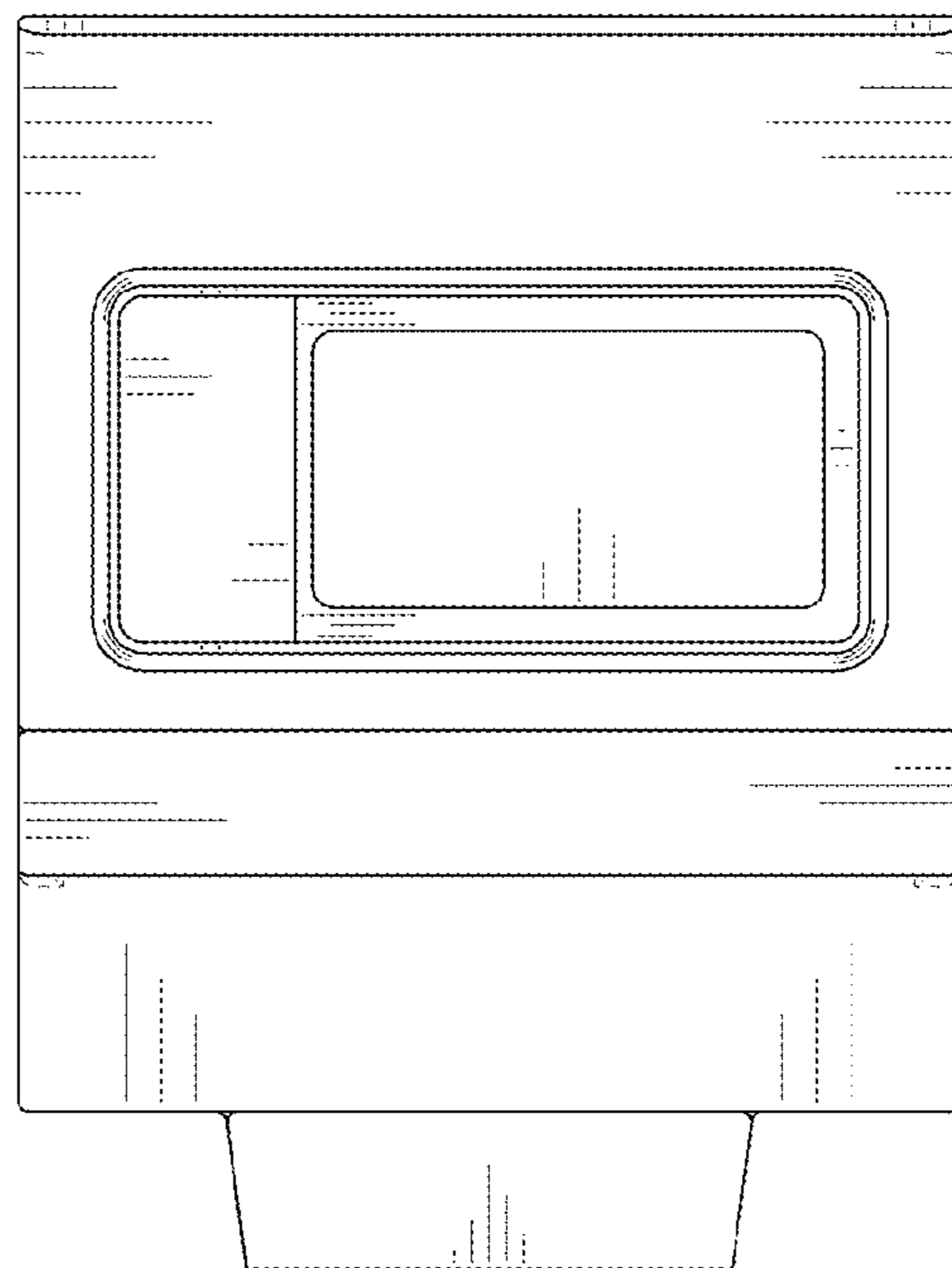


FIG. 3

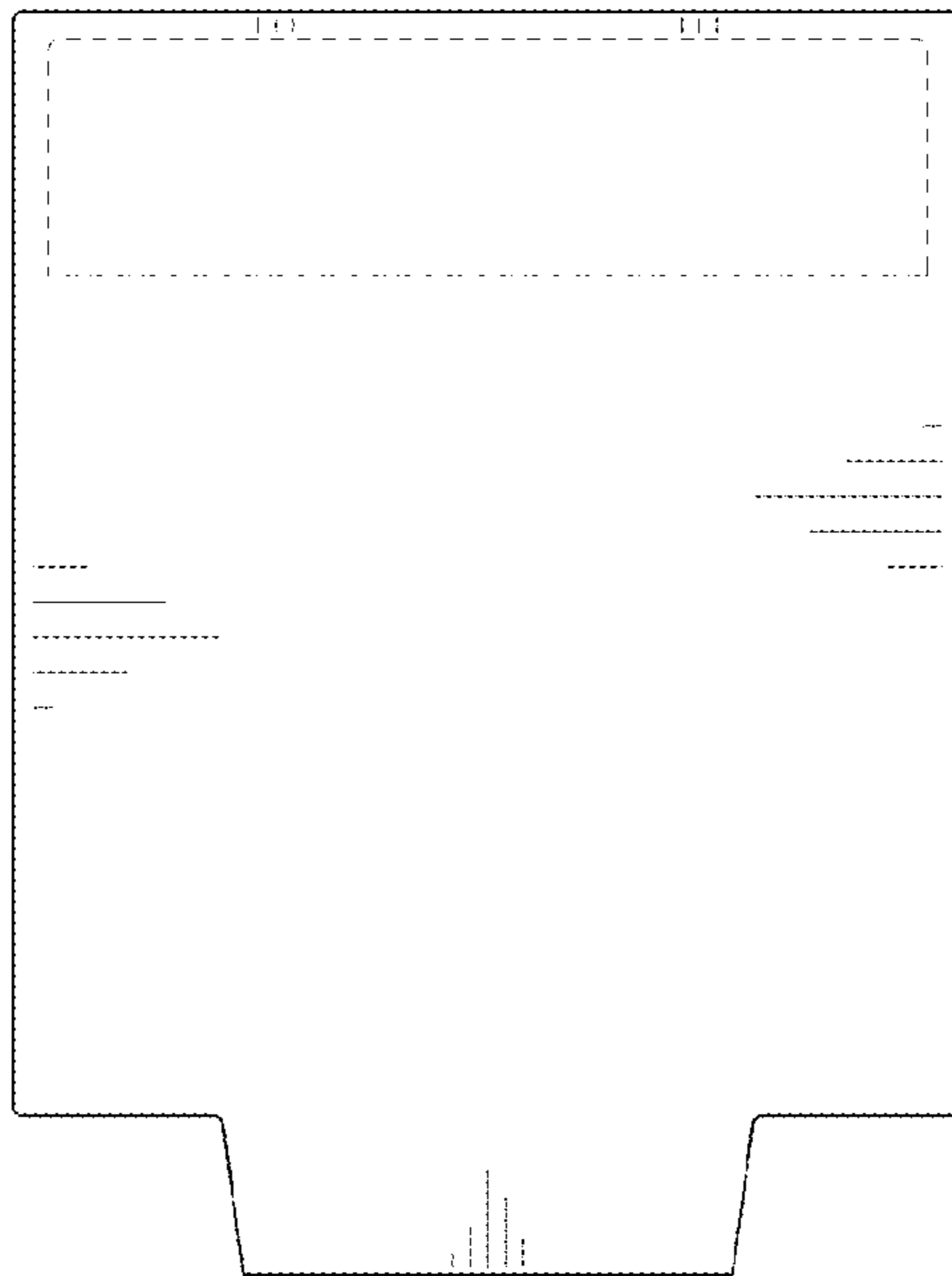


FIG. 4

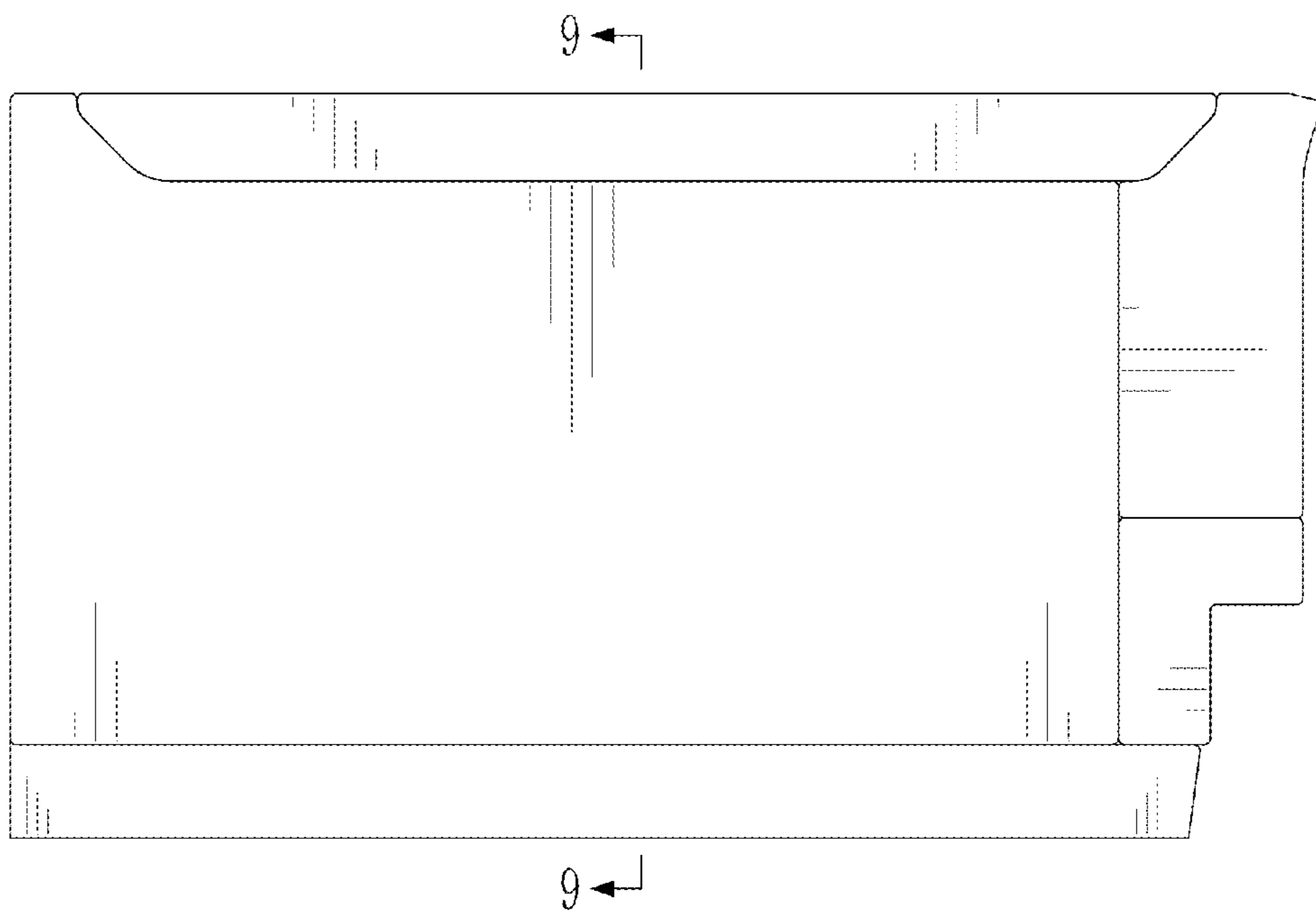


FIG. 5

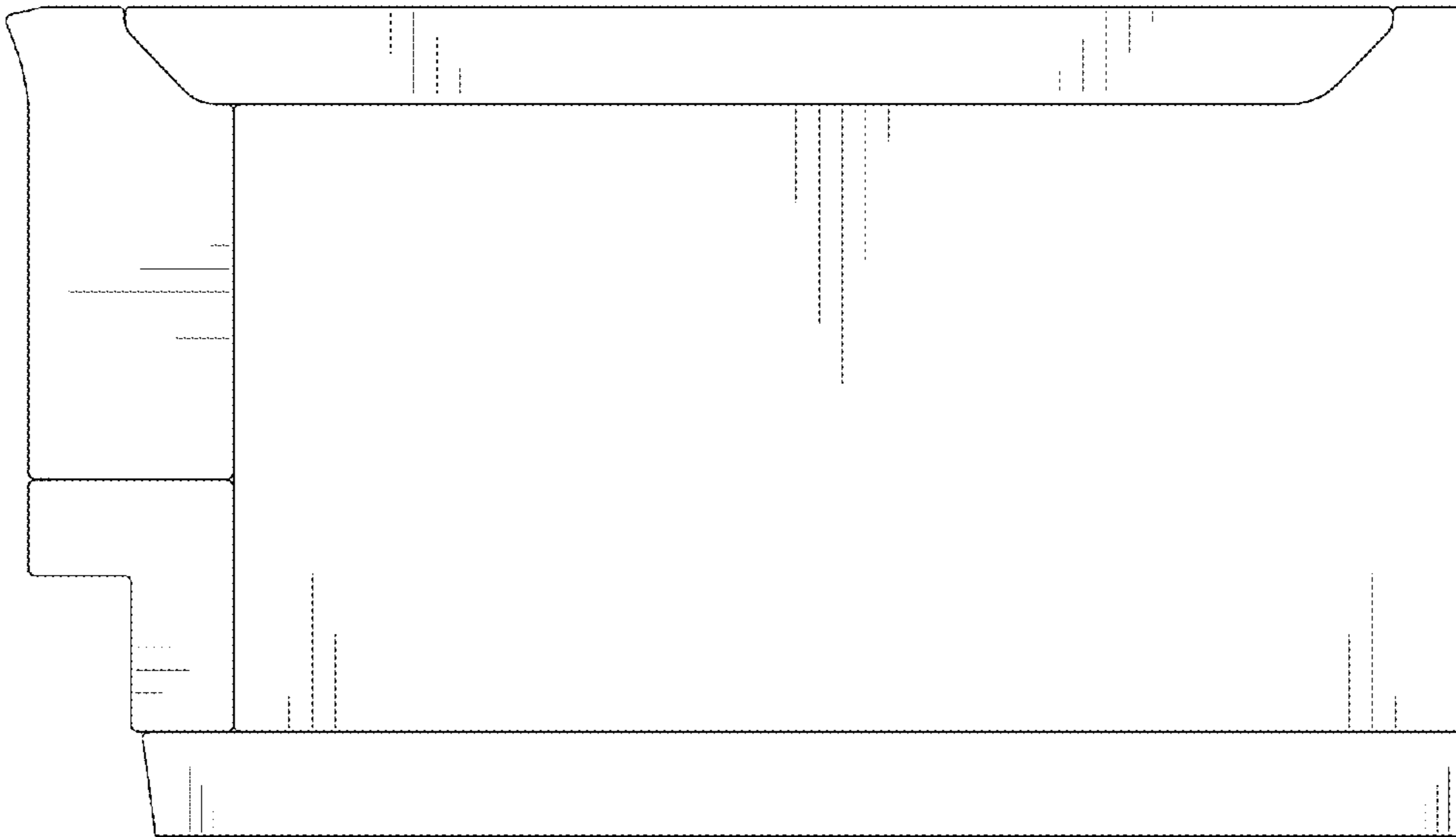


FIG. 6

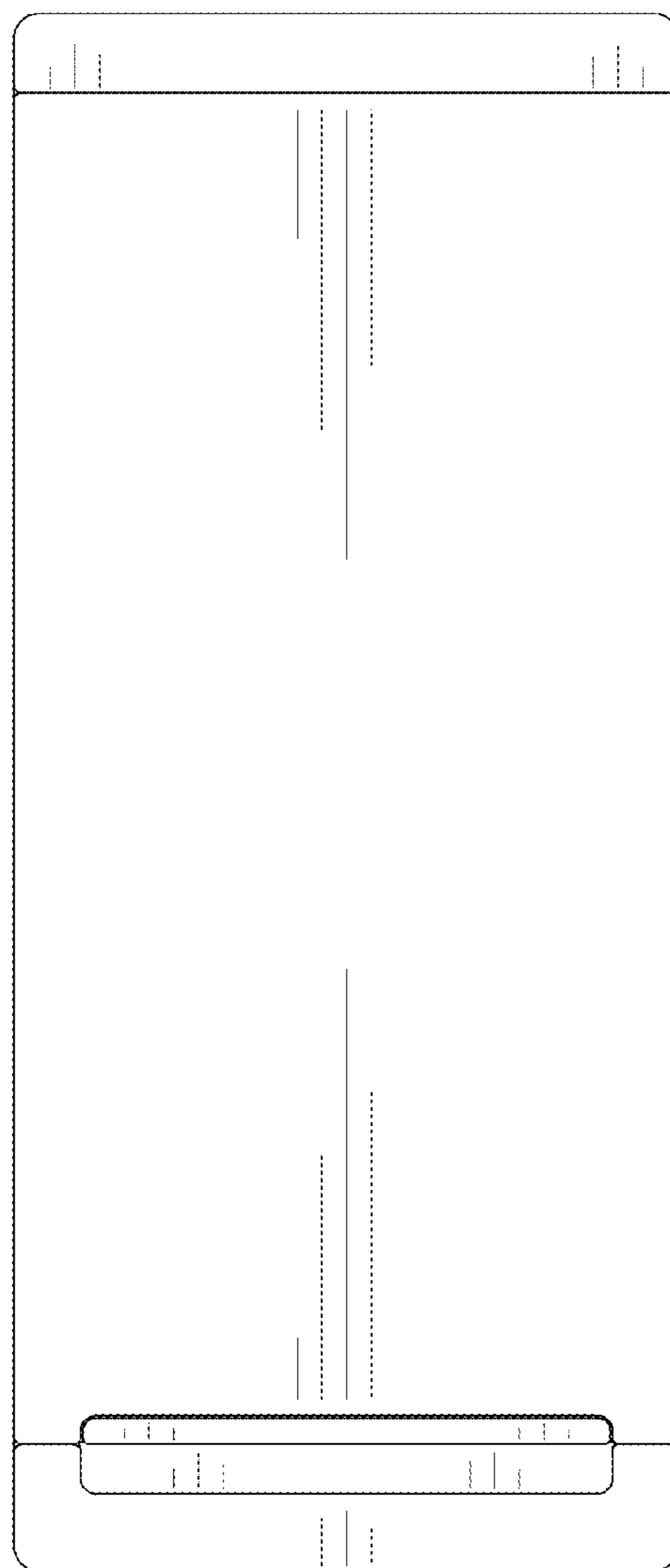


FIG. 7

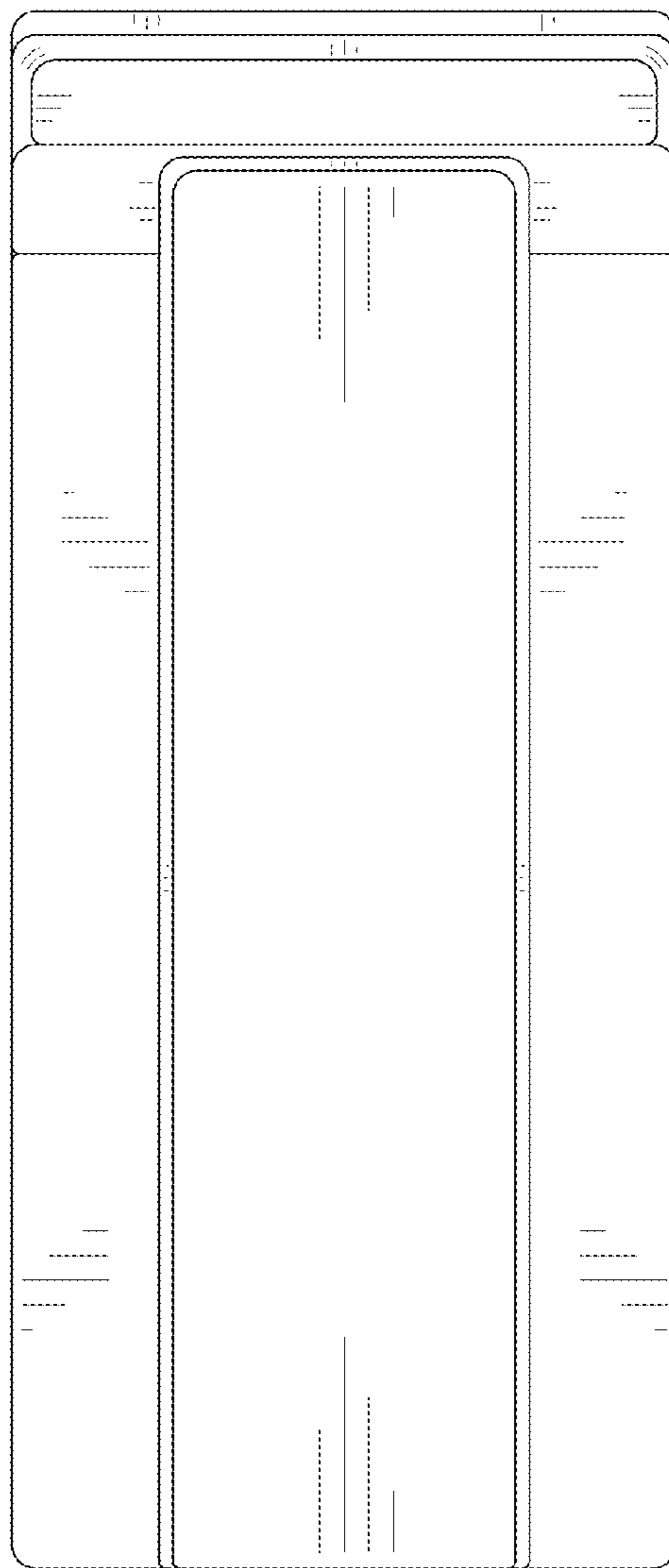




FIG. 8

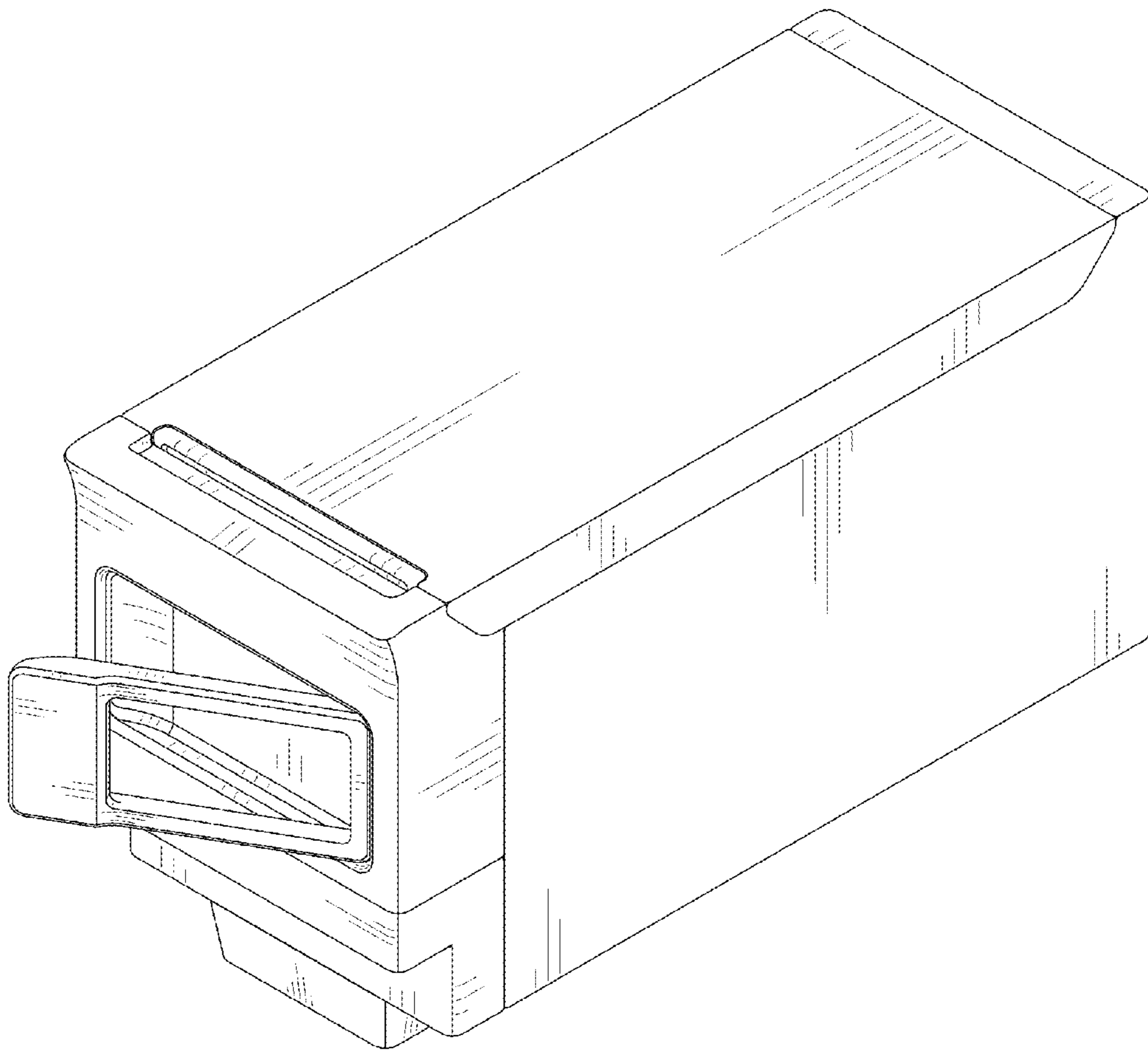


FIG. 9

