



US00D763326S

(12) **United States Design Patent**
Thompson et al.

(10) **Patent No.:** **US D763,326 S**

(45) **Date of Patent:** **** *Aug. 9, 2016**

(54) **STORAGE TANK FOR AN AGRICULTURAL IMPLEMENT**

(71) Applicant: **CNH Industrial Canada, Ltd.**,
Saskatoon (CA)

(72) Inventors: **Dennis George Thompson**, Saskatoon (CA); **Darwin L. Zacharias**, Saskatoon (CA); **Jared S. Wright**, Saskatoon (CA); **Douglas Vern Montgomery**, Downers Grove, IL (US); **Russell Alan Meyer**, Crystal Lake, IL (US); **Aaron Roland Richard**, Berwyn, IL (US)

(73) Assignee: **CNH Industrial Canada, Ltd.**,
Saskatoon, Saskatchewan (CA)

(*) Notice: This patent is subject to a terminal disclaimer.

(**) Term: **14 Years**

(21) Appl. No.: **29/508,238**

(22) Filed: **Nov. 4, 2014**

(51) **LOC (10) Cl.** **15-03**

(52) **U.S. Cl.**
USPC **D15/28**

(58) **Field of Classification Search**
USPC D15/10, 13-17, 28, 21, 27; D12/218; D23/200, 202, 213; 239/683, 687, 72, 239/289, 722; 414/725, 912; 37/442, 403; 111/118; 137/544; 220/587, 565, 220/567.1; 210/532.2; 123/563; 222/185.1, 222/608
CPC A01C 23/008; A01C 23/007; A01C 23/00; A01C 23/04

See application file for complete search history.

(56) **References Cited**

U.S. PATENT DOCUMENTS

D327,942 S	7/1992	Whitfield	
D333,476 S	2/1993	Gingrich	
D425,915 S	5/2000	Truan et al.	
D427,206 S	6/2000	Johnson et al.	
6,099,013 A	8/2000	Stoss	
D523,447 S	6/2006	Dixon	
D527,789 S	9/2006	Thompson et al.	
7,150,419 B1	12/2006	Tomlonovic et al.	
D612,448 S	3/2010	Richardson	
7,694,638 B1	4/2010	Riewerts et al.	
D627,373 S *	11/2010	Prickel	D15/10
D629,426 S *	12/2010	Prickel	D15/10
D629,427 S *	12/2010	Prickel	D15/10

(Continued)

OTHER PUBLICATIONS

U.S. Appl. No. 29/508,210, filed Nov. 4, 2014, Jared S. Wright.

(Continued)

Primary Examiner — Mark Goodwin

(74) *Attorney, Agent, or Firm* — Rebecca L. Henkel

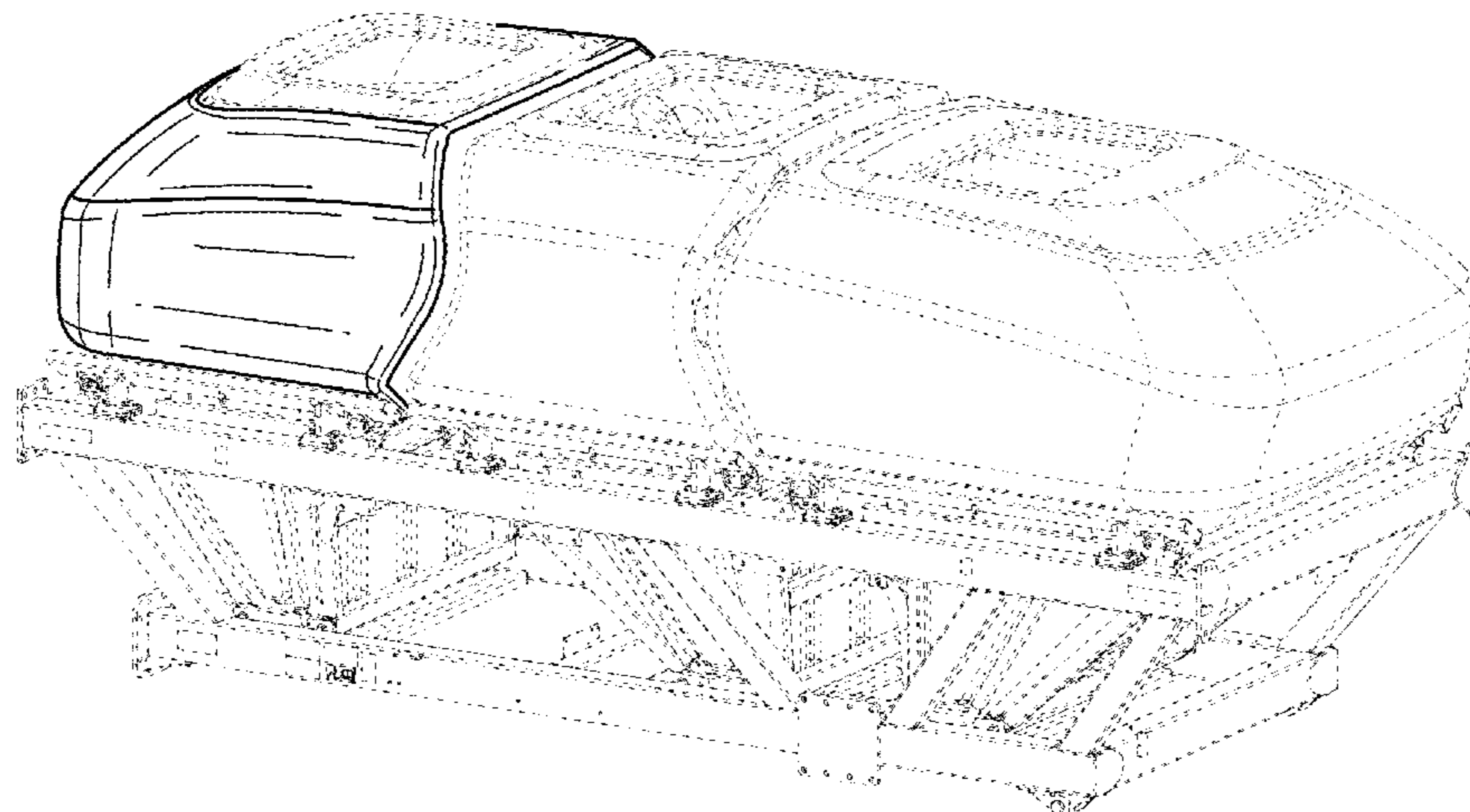
(57) **CLAIM**

The ornamental design for a storage tank for an agricultural implement, substantially as shown and described.

DESCRIPTION

FIG. 1 is a perspective view of an agricultural implement with a storage tank, in which the phantom lines illustrate a portion of the agricultural implement;
FIG. 2 is a perspective view of the storage tank;
FIG. 3 is a right side view of the storage tank;
FIG. 4 is a left side view of the storage tank;
FIG. 5 is a back view of the storage tank;
FIG. 6 is a front view of the storage tank;
FIG. 7 is a top view of the storage tank; and,
FIG. 8 is a bottom view of the storage tank.
Phantom lining, where utilized, is for illustrative purposes only and forms no part of the claimed design.

1 Claim, 5 Drawing Sheets



(56)

References Cited

U.S. PATENT DOCUMENTS

D631,068 S * 1/2011 Prickel D15/10
 D647,168 S 10/2011 Lerner et al.
 D647,169 S 10/2011 Leonard et al.
 D647,170 S 10/2011 Hayslip et al.
 D663,325 S * 7/2012 Thunstrom D15/13
 D669,099 S 10/2012 Ringer et al.
 D669,100 S 10/2012 Ringer et al.
 D673,587 S * 1/2013 Truan D15/28
 D687,866 S 8/2013 Thompson et al.
 D687,867 S 8/2013 Thompson et al.
 D690,740 S 10/2013 Gonzales et al.
 D690,741 S 10/2013 Gonzales et al.
 D693,856 S 11/2013 Thompson et al.
 D708,649 S 7/2014 Rollenhagen et al.
 D713,424 S 9/2014 Gonzales et al.
 D730,949 S * 6/2015 Thompson D15/28
 D730,950 S * 6/2015 Wright D15/28
 D730,951 S * 6/2015 Thompson D15/28
 2011/0147497 A1 6/2011 Hiddema

2012/0032005 A1 2/2012 McMahon et al.
 2014/0060403 A1 3/2014 Blunier et al.
 2014/0060404 A1 3/2014 Blunier

OTHER PUBLICATIONS

U.S. Appl. No. 29/508,208, filed Nov. 4, 2014, Dennis George Thompson.
 U.S. Appl. No. 29/508,219, filed Nov. 4, 2014, Dennis George Thompson.
 U.S. Appl. No. 29/508,226, filed Nov. 4, 2014, Dennis George Thompson.
 U.S. Appl. No. 29/508,231, filed Nov. 4, 2014, Dennis George Thompson.
 U.S. Appl. No. 29/508,206, filed Nov. 4, 2014, Dennis George Thompson.
 U.S. Appl. No. 29/508,234, filed Nov. 4, 2014, Dennis George Thompson.
 U.S. Appl. No. 29/508,244, filed Nov. 4, 2014, Dennis George Thompson.

* cited by examiner

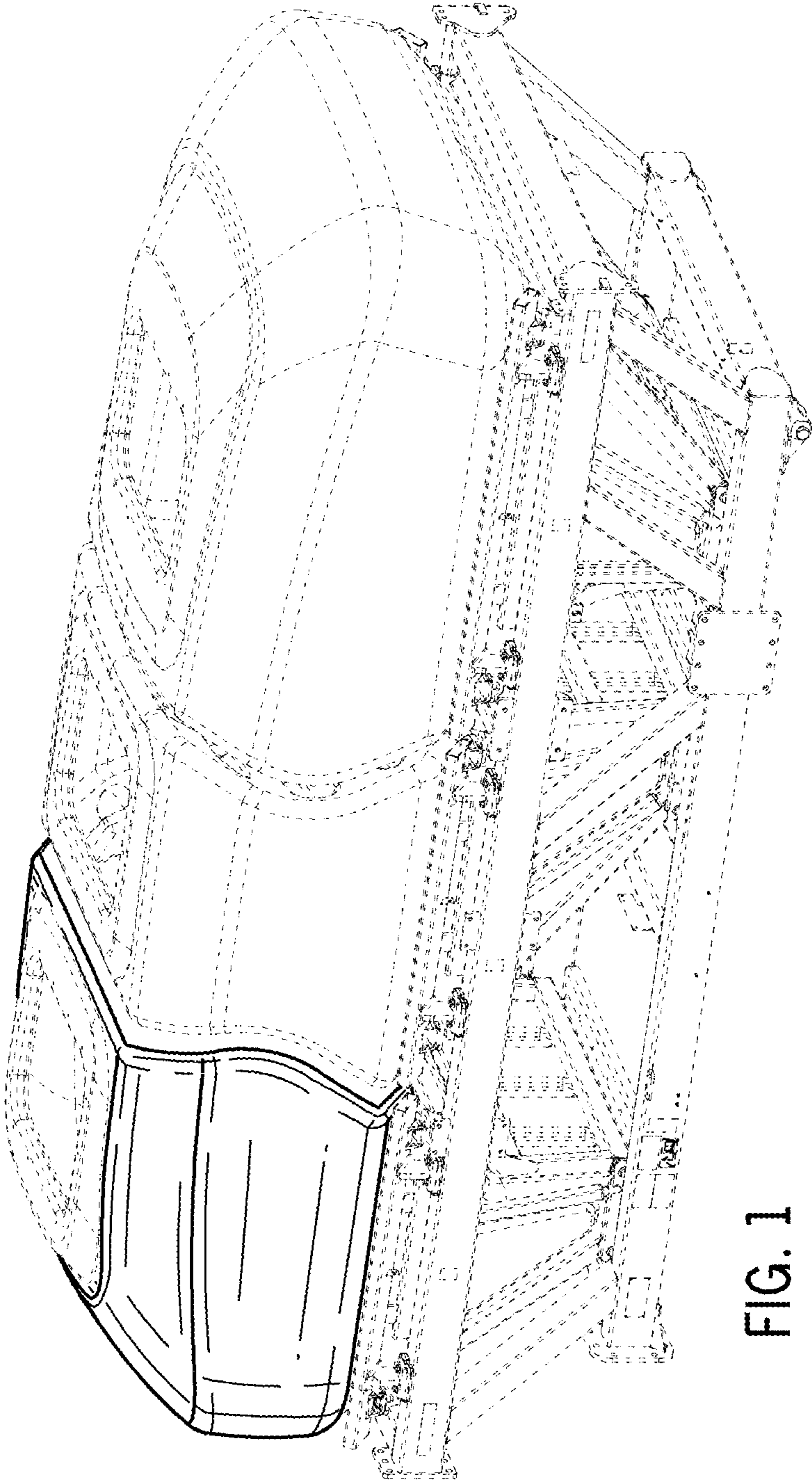


FIG. 1

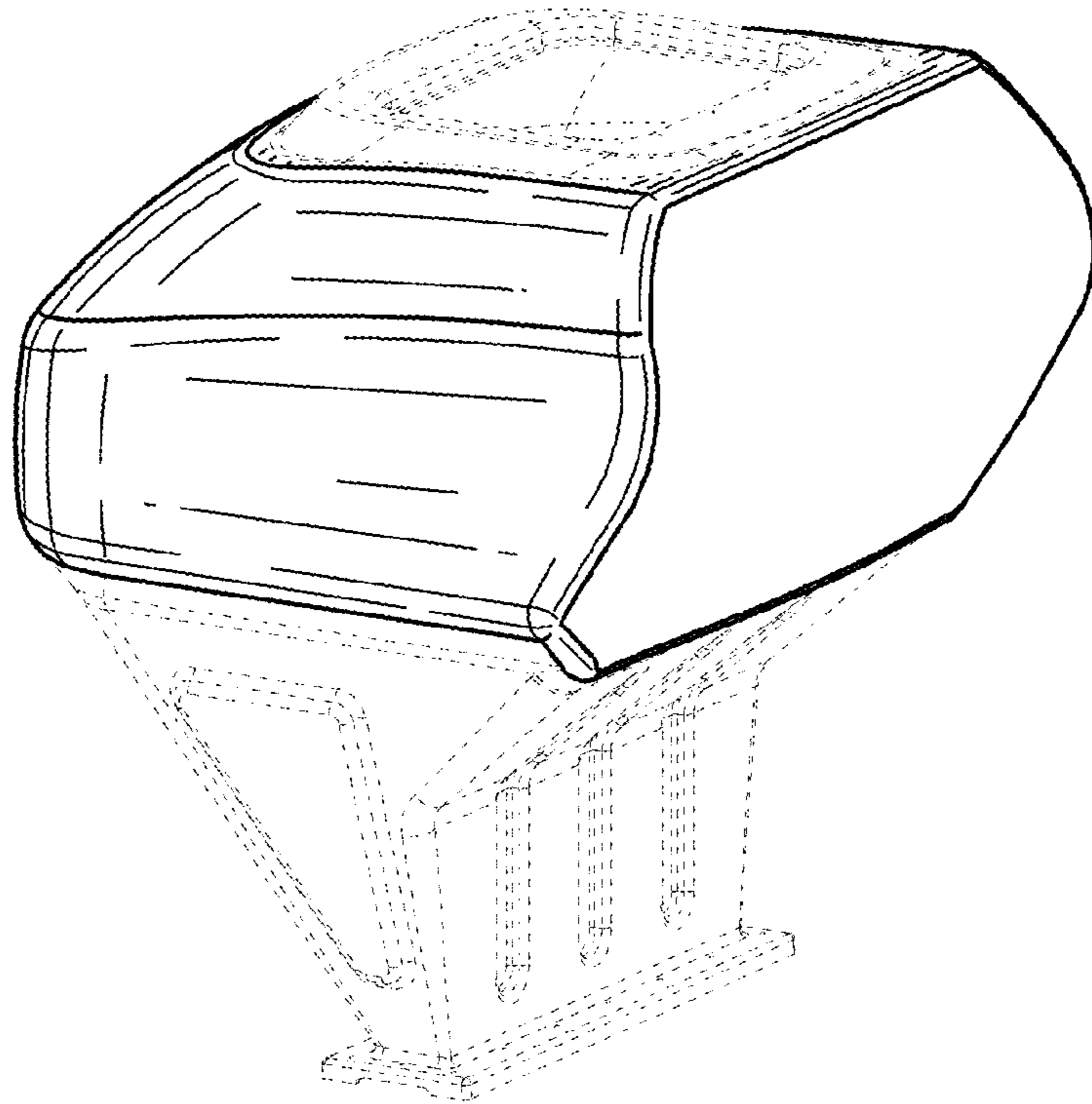
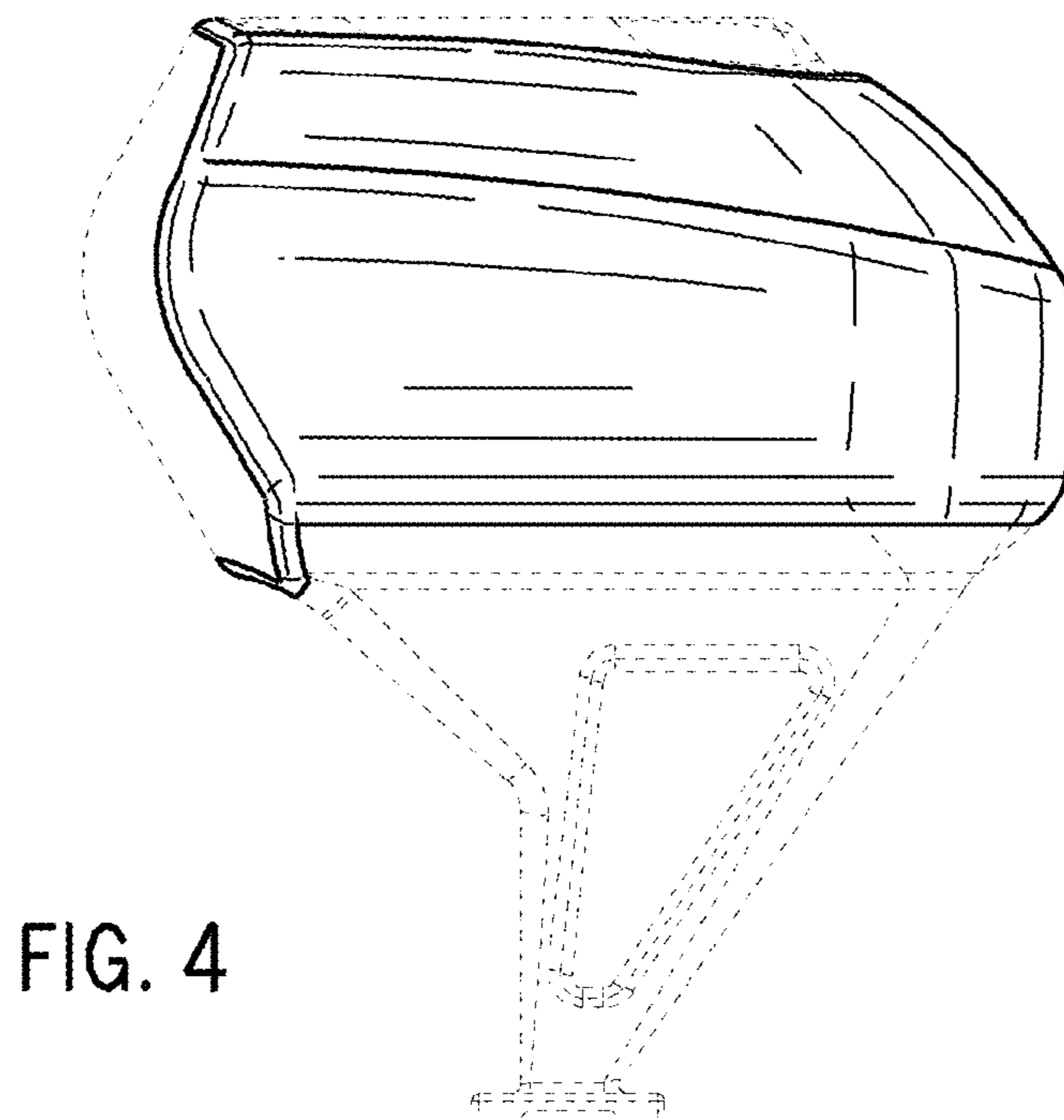
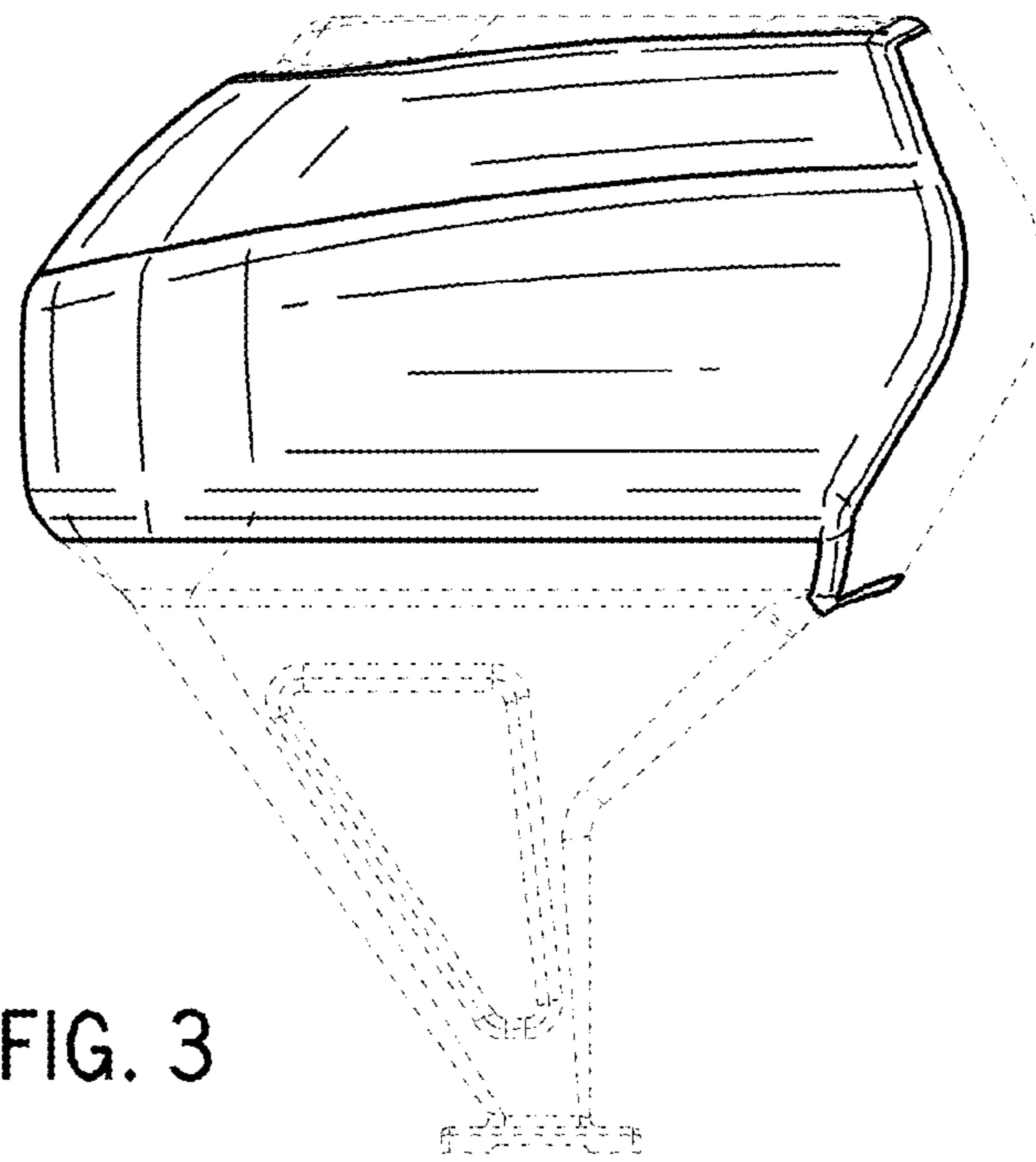


FIG. 2



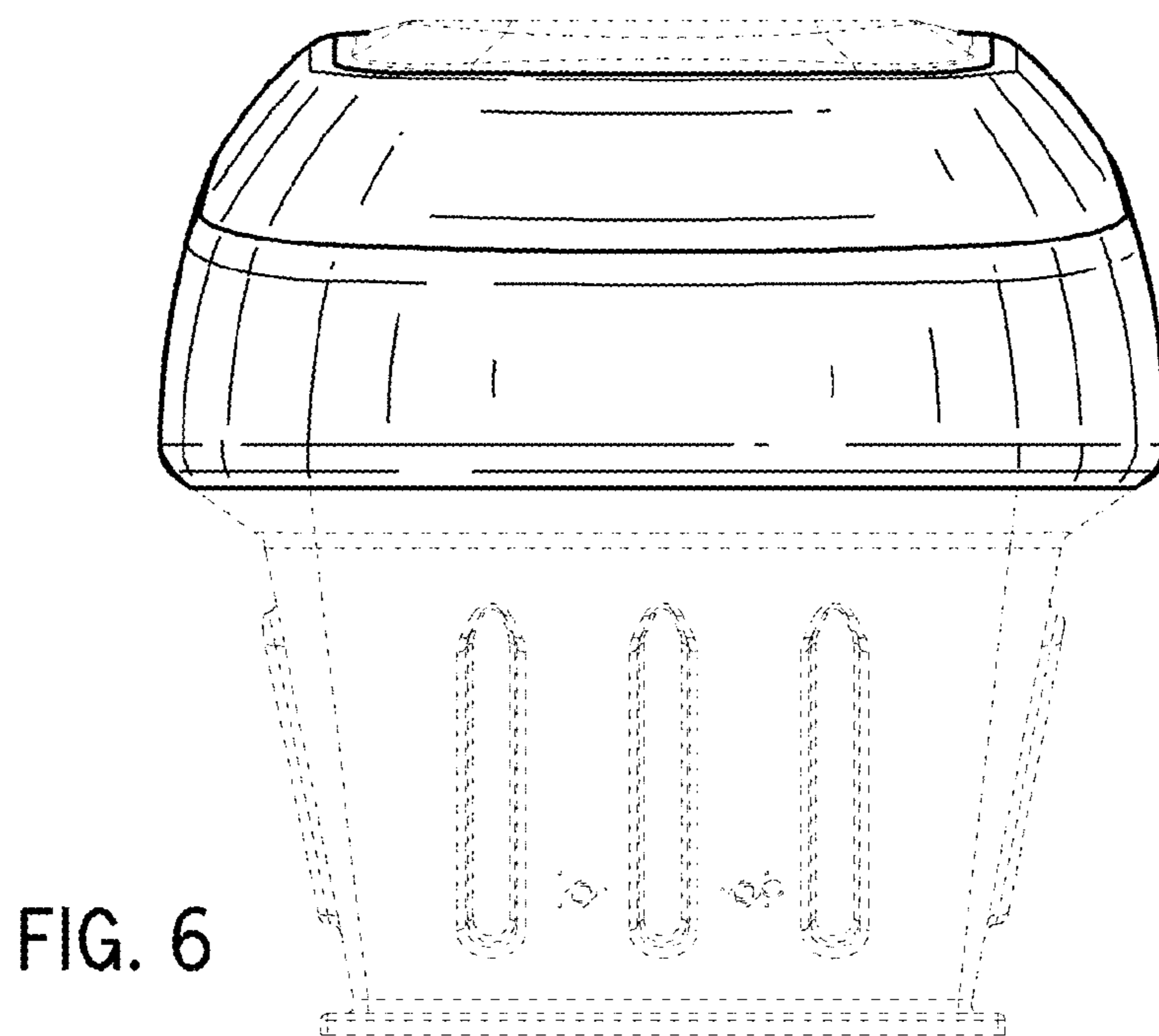
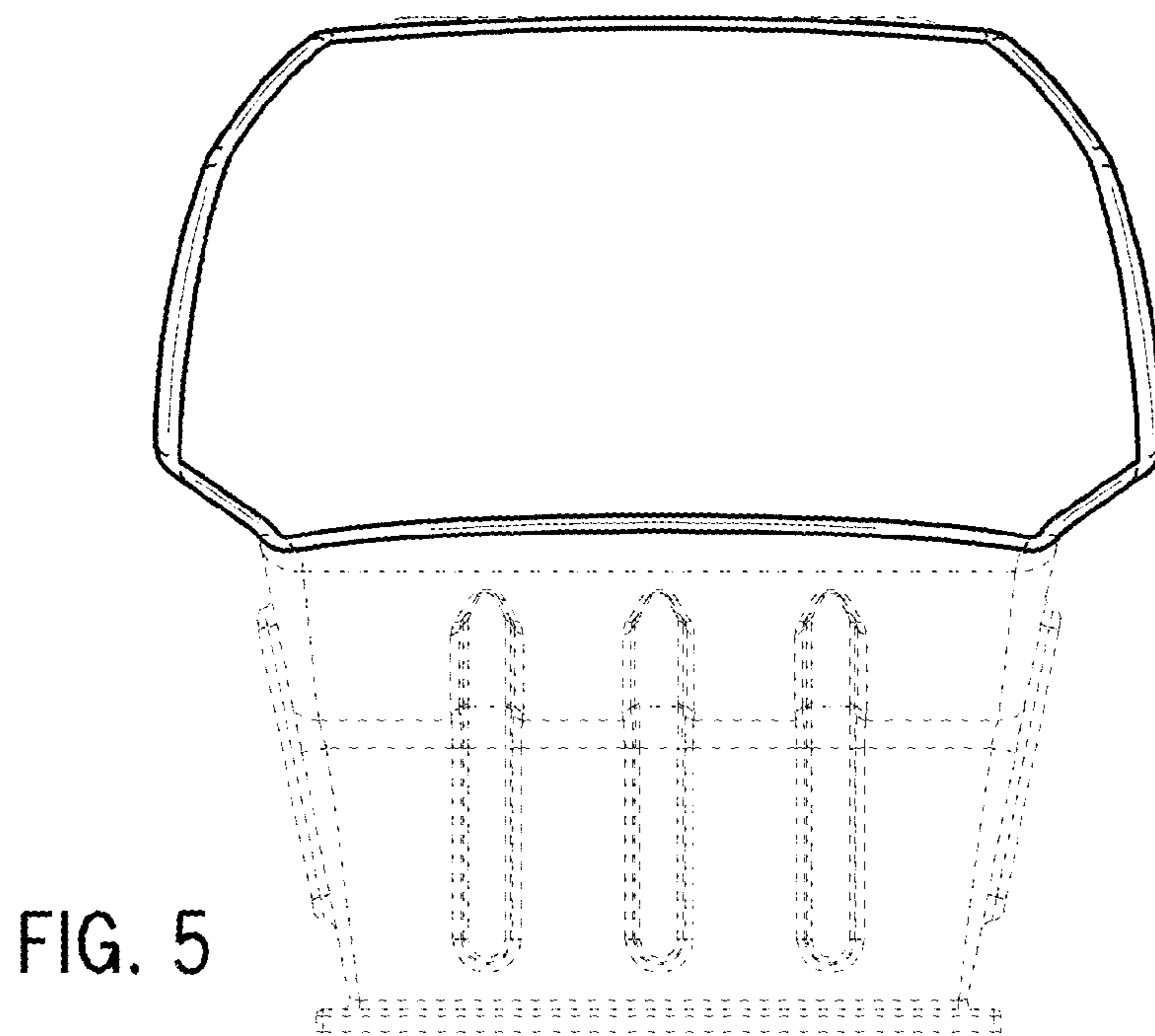


FIG. 7

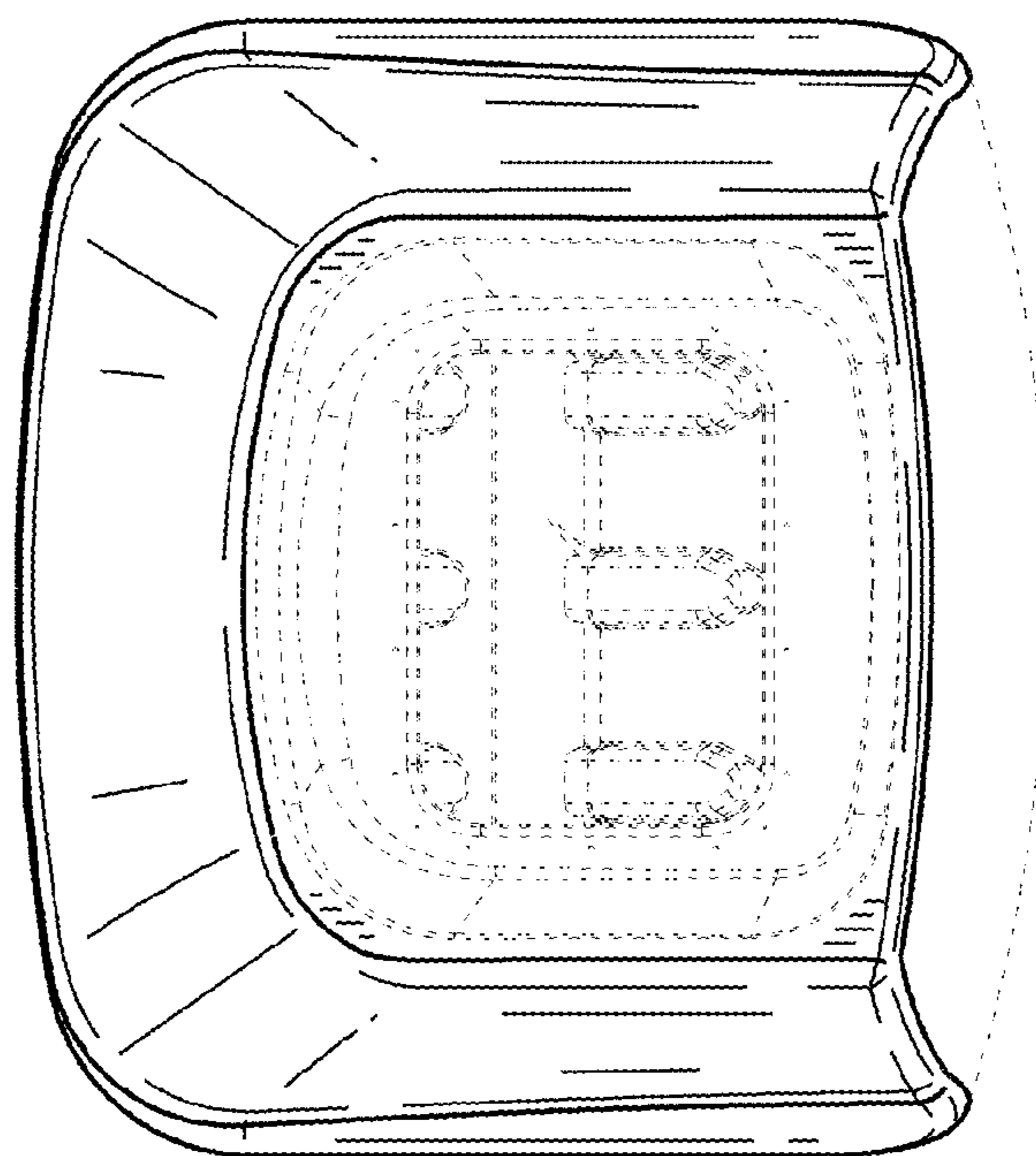


FIG. 8

