



US00D763324S

(12) **United States Design Patent**  
**Fitzhugh et al.**

(10) **Patent No.:** **US D763,324 S**

(45) **Date of Patent:** **\*\* Aug. 9, 2016**

(54) **COMPACT BALL SEAT DOWNHOLE PLUG**

(71) Applicant: **Peak Completion Technologies, Inc.**,  
Midland, TX (US)

(72) Inventors: **Bryan Fitzhugh**, Midland, TX (US);  
**William Sloane Muscroft**, Midland, TX  
(US)

(73) Assignee: **PeakCompletion Technologies, Inc.**,  
Midland, TX (US)

(\*\*) Term: **14 Years**

(21) Appl. No.: **29/501,356**

(22) Filed: **Sep. 3, 2014**

(51) **LOC (10) Cl.** ..... **15-03**

(52) **U.S. Cl.**  
USPC ..... **D15/21**

(58) **Field of Classification Search**  
USPC ..... D15/21, 28, 138, 139, 140  
CPC ..... E21B 33/134; E21B 33/12; E21B 43/12  
See application file for complete search history.

(56) **References Cited**

U.S. PATENT DOCUMENTS

D672,794 S	*	12/2012	Frazier	.....	D15/139
D694,281 S	*	11/2013	Frazier	.....	D15/21
D703,698 S	*	4/2014	Frazier	.....	D15/21
2011/0067889 A1	*	3/2011	Marya et al.	.....	166/386
2011/0277987 A1	*	11/2011	Frazier	.....	166/181

2011/0277989 A1	*	11/2011	Frazier	.....	166/193
2011/0290473 A1	*	12/2011	Frazier	.....	166/135
2012/0006532 A1	*	1/2012	Frazier	.....	166/196
2012/0279700 A1	*	11/2012	Frazier	.....	166/193
2013/0240203 A1	*	9/2013	Frazier	.....	166/193
2013/0292119 A1	*	11/2013	Hilliard et al.	.....	166/285

\* cited by examiner

*Primary Examiner* — Mitchell Siegel

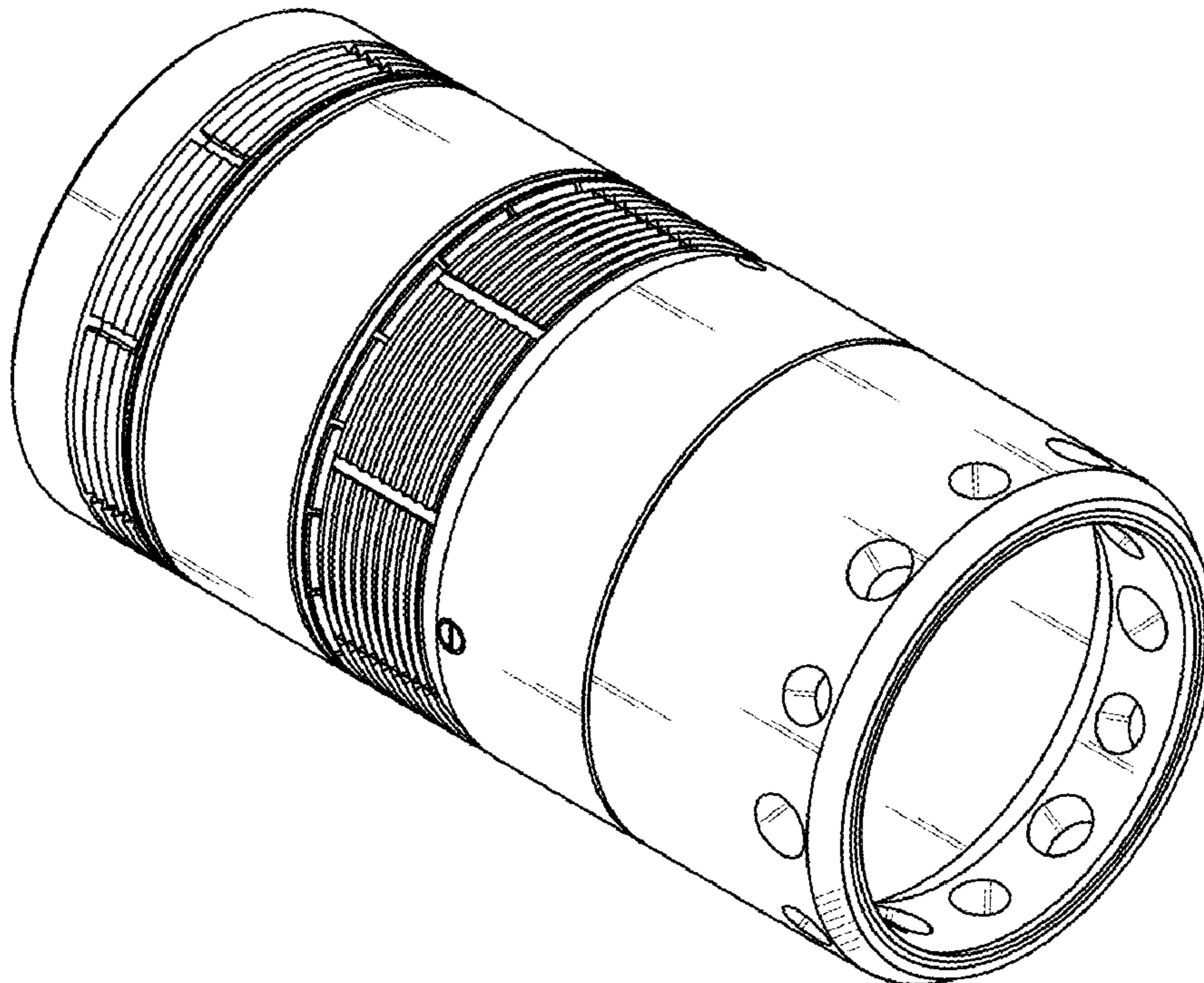
(57) **CLAIM**

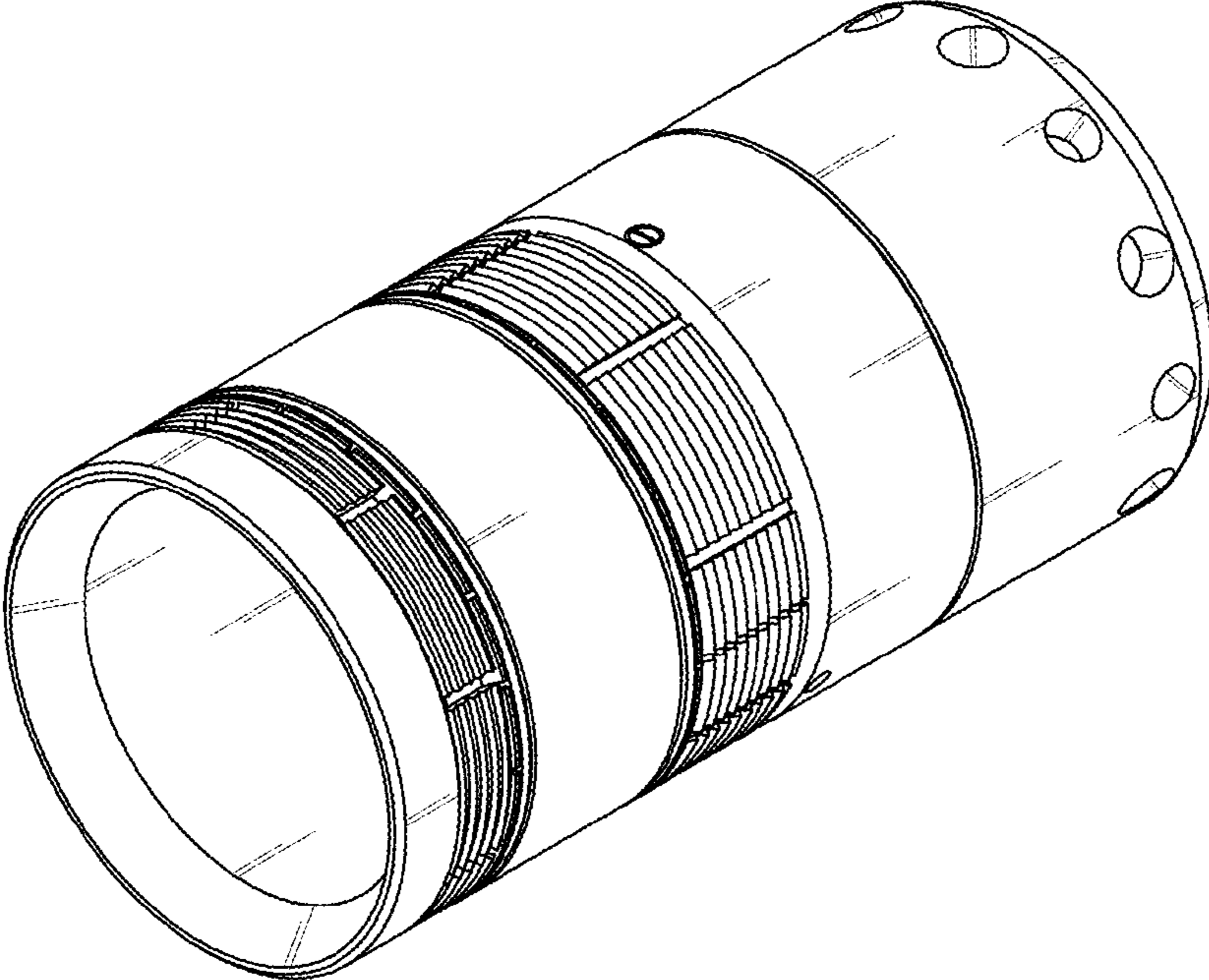
The ornamental design for a compact ball seat downhole plug, as shown and described.

**DESCRIPTION**

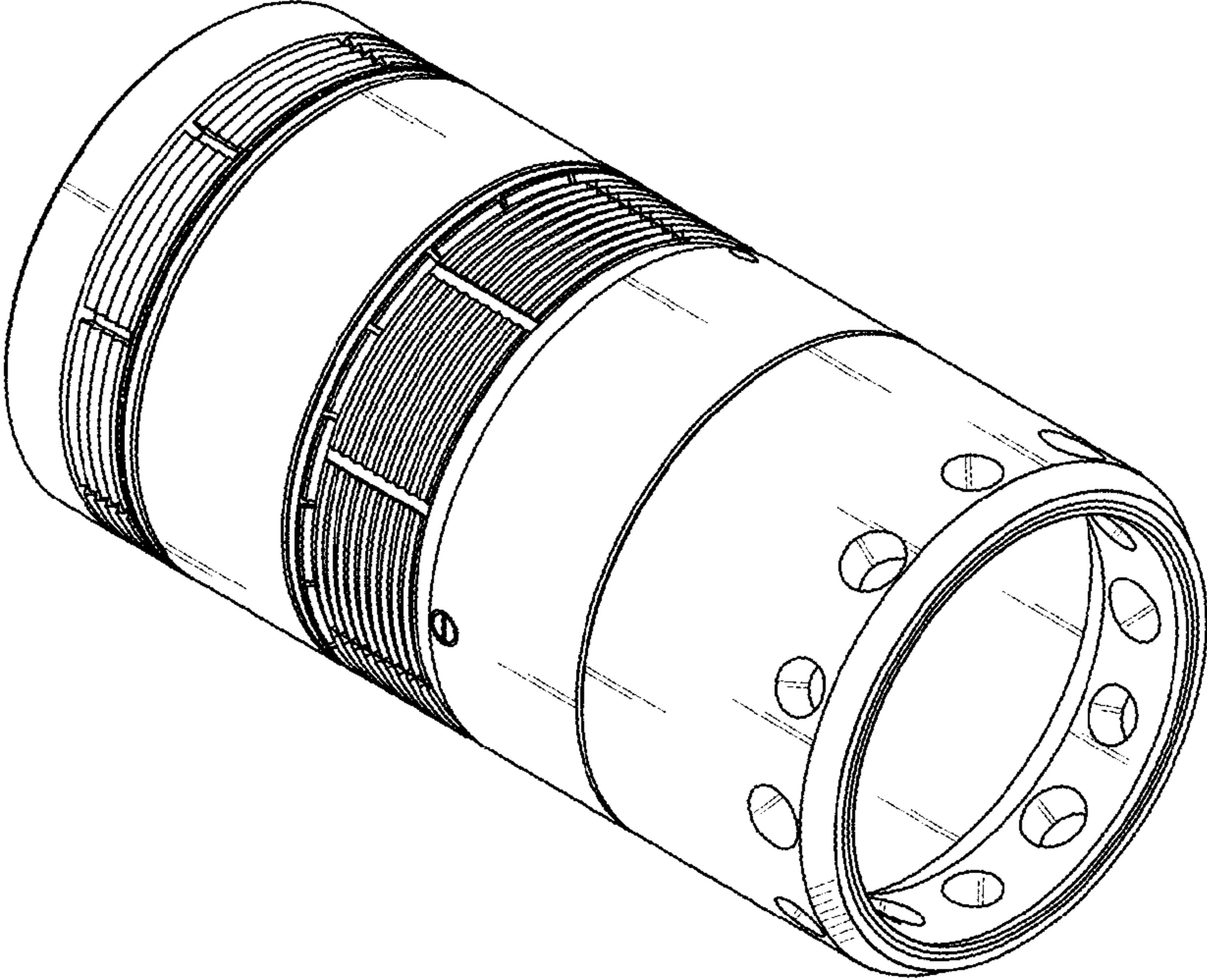
FIG. 1 is a perspective view of a compact ball seat downhole plug;  
 FIG. 2 is another perspective view of the compact ball seat downhole plug;  
 FIG. 3 is a left side plan view of the compact ball seat downhole plug;  
 FIG. 4 is a right side plan view of the compact ball seat downhole plug;  
 FIG. 5 is a front side plan view of the compact ball seat downhole plug.  
 FIG. 6 is a back side plan view of the compact ball seat downhole plug.  
 FIG. 7 is a top plan view of the compact ball seat downhole plug; and,  
 FIG. 8 is a bottom plan view of the compact ball seat downhole plug.

**1 Claim, 3 Drawing Sheets**





**FIG. 1**



**FIG. 2**

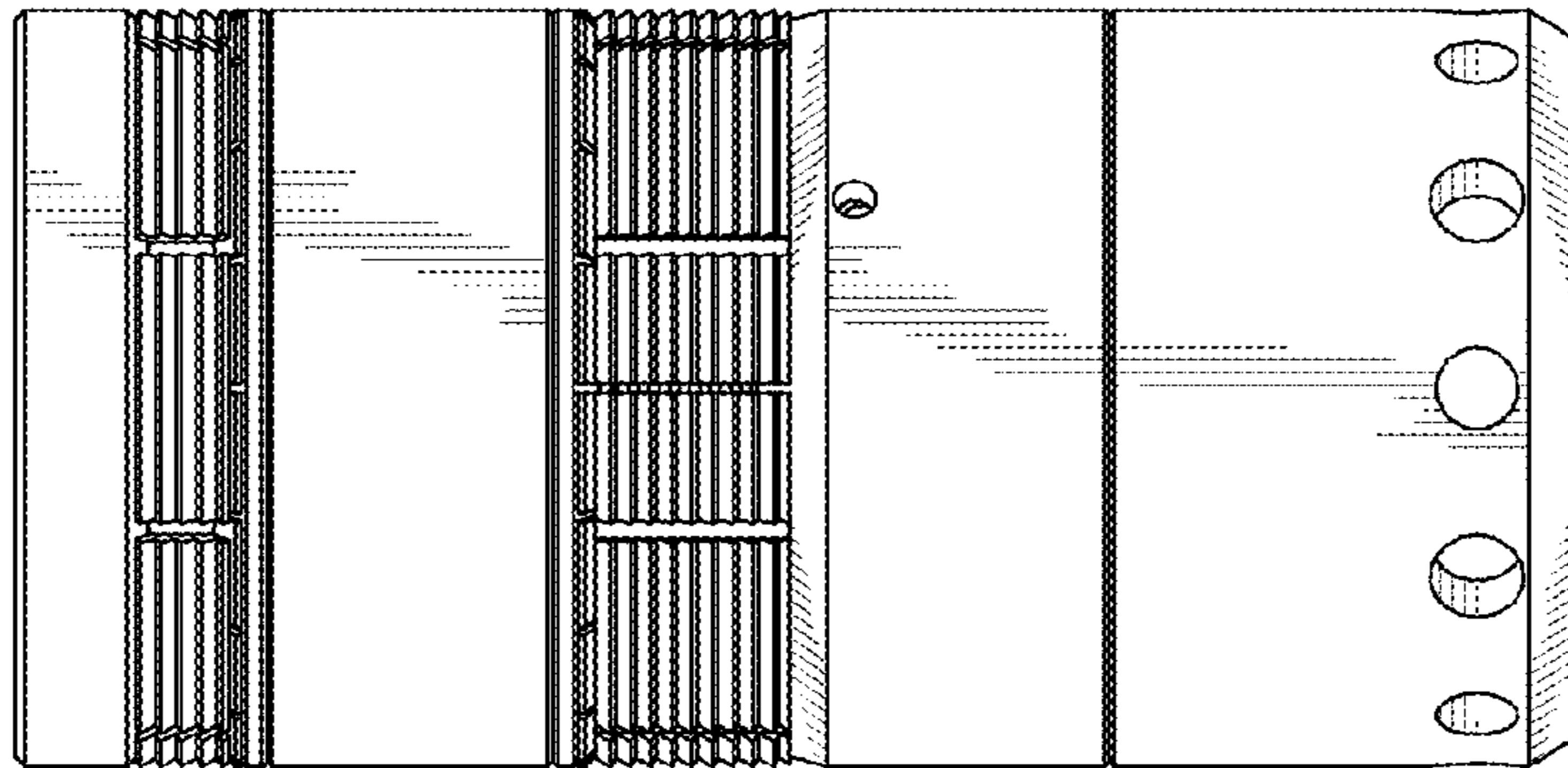


FIG. 3

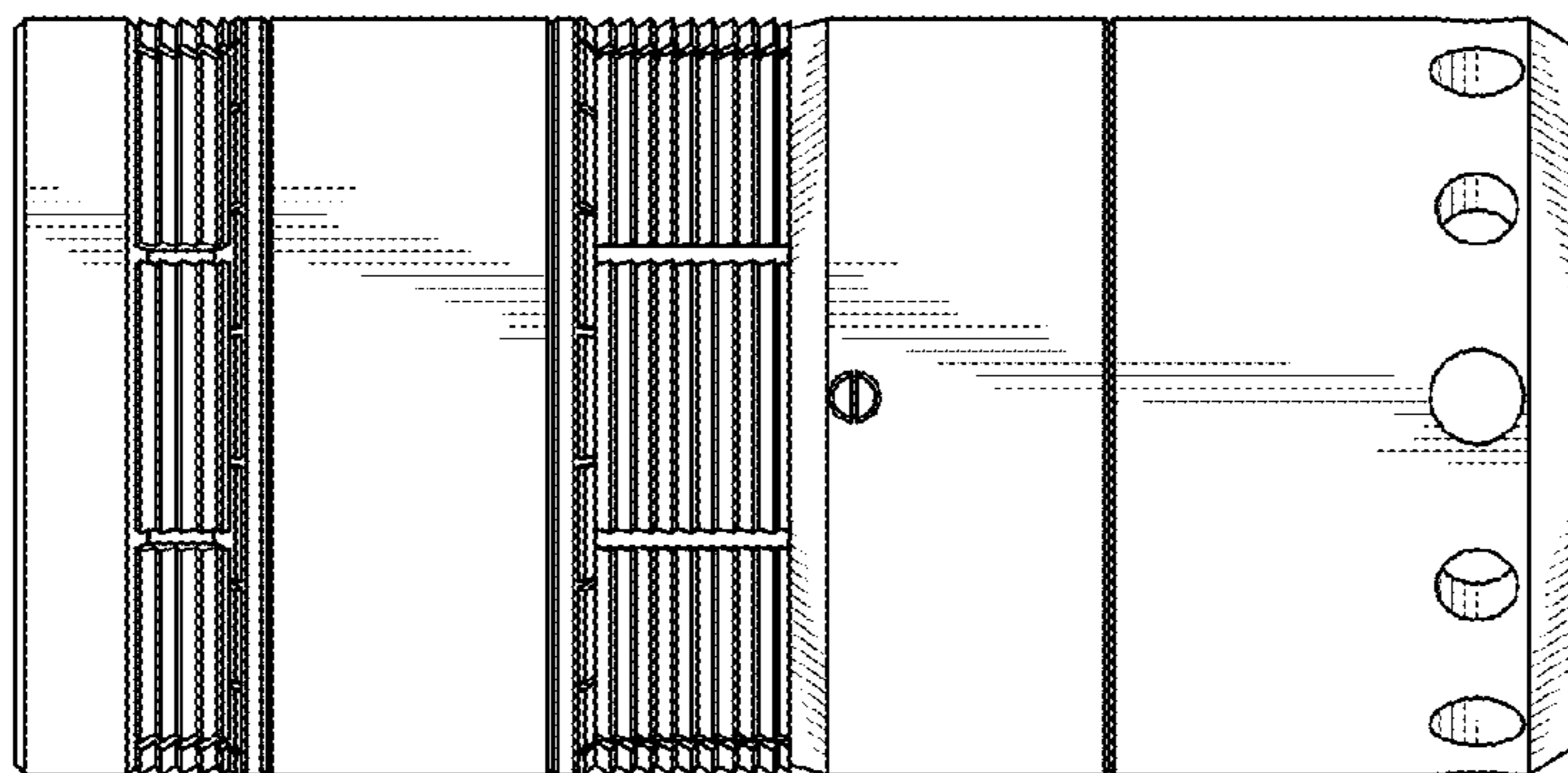


FIG. 4

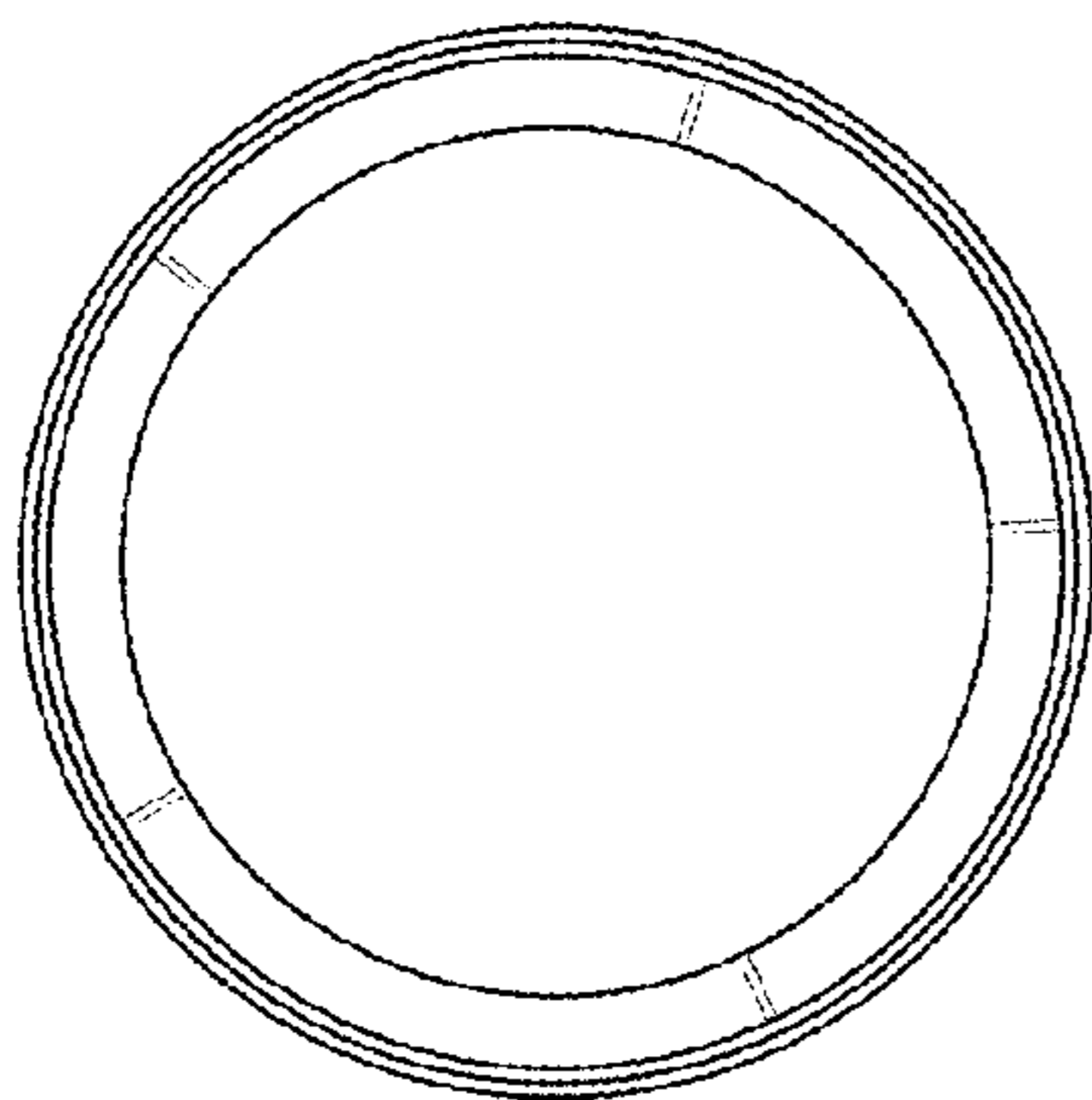


FIG. 5

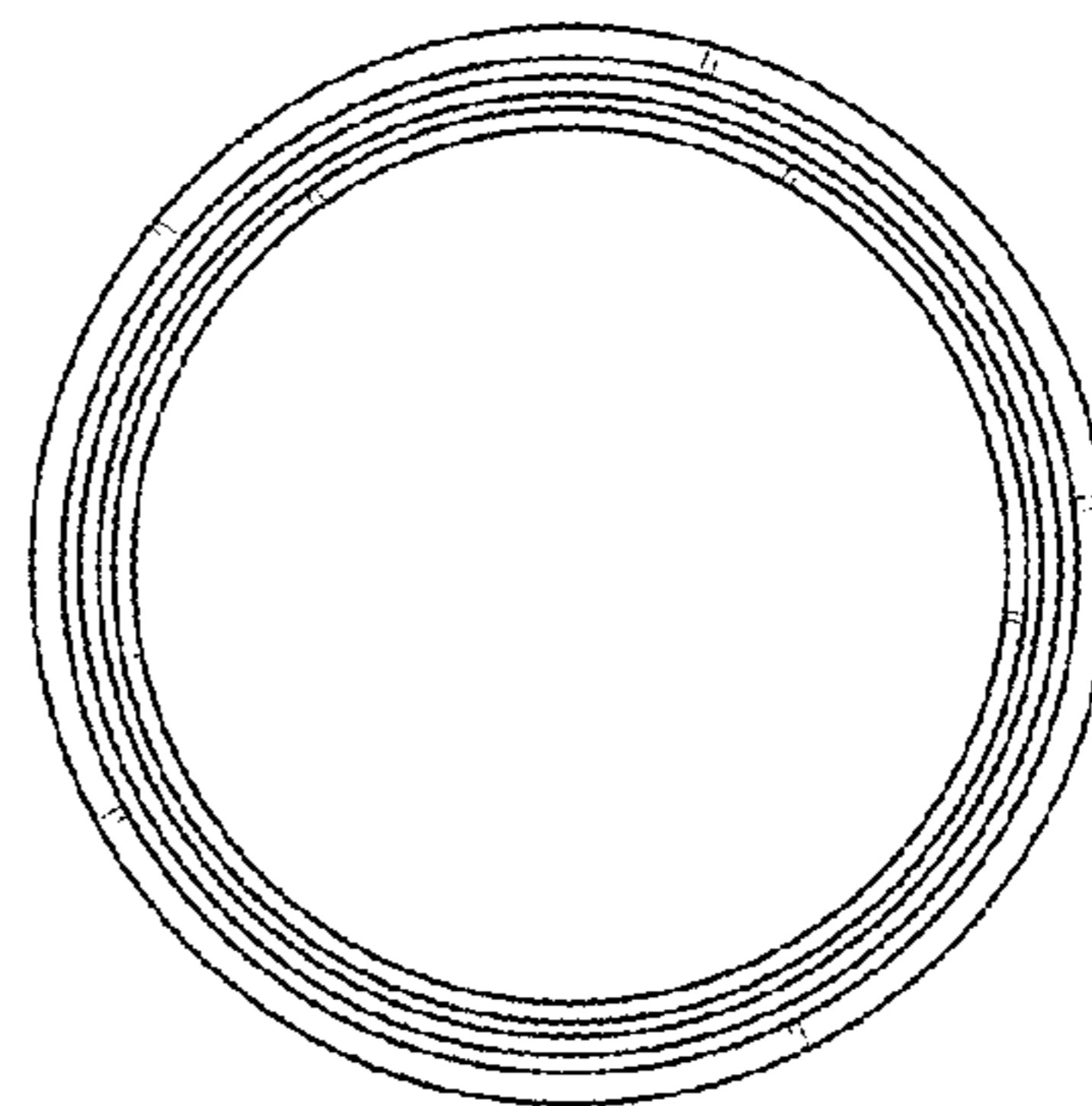
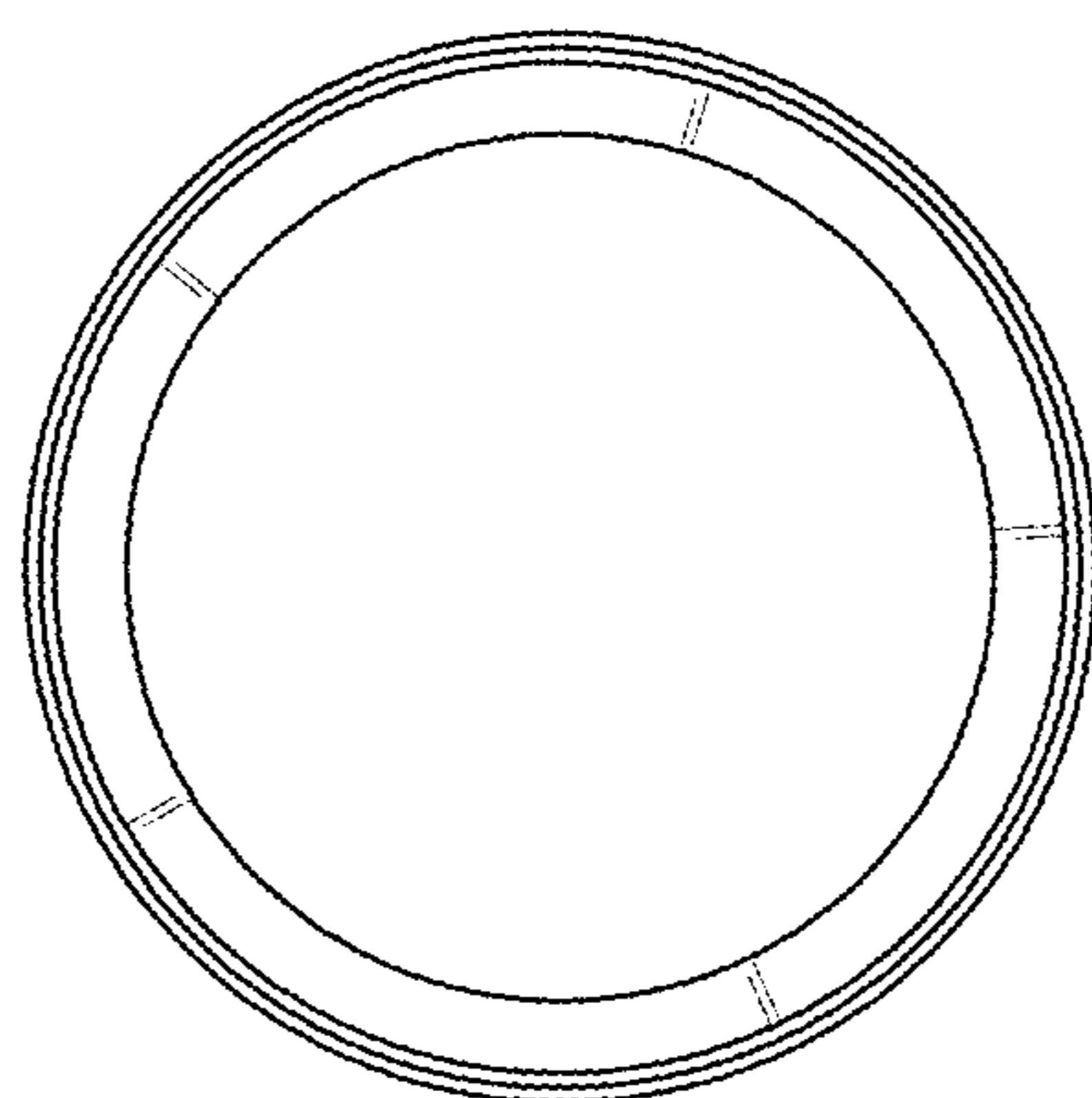
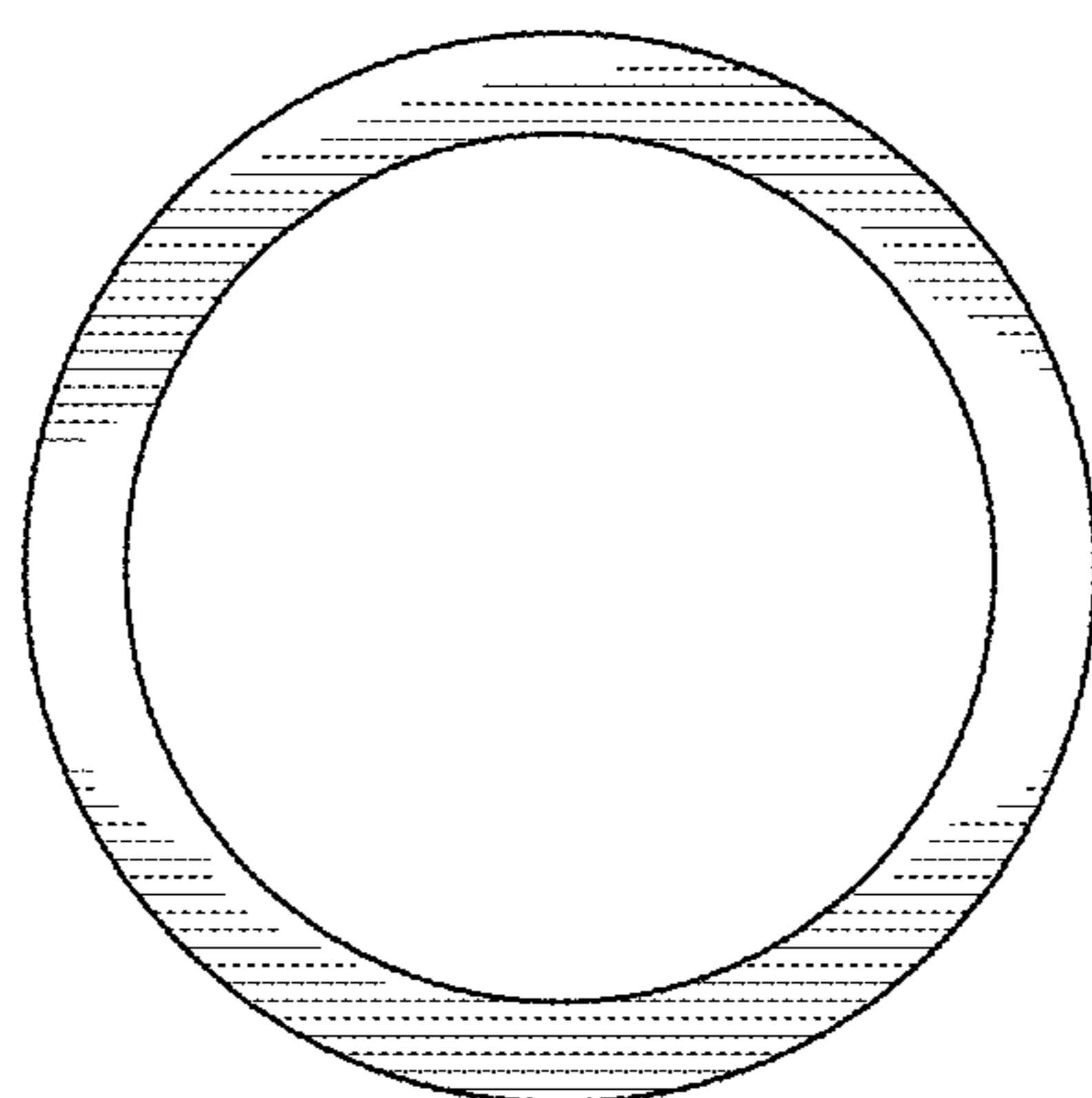


FIG. 6





**FIG. 7**



**FIG. 8**