



US00D763323S

(12) **United States Design Patent**  
**Mikulic**

(10) **Patent No.:** **US D763,323 S**  
(45) **Date of Patent:** **\*\* Aug. 9, 2016**

(54) **COMPRESSOR**

(71) Applicant: **BITZER Kuehlmaschinenbau GmbH**,  
Sindelfingen (DE)

(72) Inventor: **Tihomir Mikulic**, Holzgerlingen (DE)

(73) Assignee: **BITZER Kuehlmaschinenbau GmbH**,  
Sindelfingen (DE)

(\*\*) Term: **14 Years**

(21) Appl. No.: **29/523,686**

(22) Filed: **Apr. 13, 2015**

(30) **Foreign Application Priority Data**

Oct. 13, 2014 (EM) ..... 002555714  
Oct. 13, 2014 (EM) ..... 002555714-0001

(51) **LOC (10) Cl.** ..... **15-02**

(52) **U.S. Cl.**  
USPC ..... **D15/9**

(58) **Field of Classification Search**  
USPC ..... D15/7-9; D23/231, 232, 225; 417/60,  
417/235, 265, 321, 355, 358, 363, 359,  
417/410.1, 415-416, 405, 900; 60/408,  
60/412; 184/26-37; 415/140-147;  
123/495, 509; 137/565.34  
CPC ..... F02M 37/04; F02M 37/14  
See application file for complete search history.

(56) **References Cited**

**U.S. PATENT DOCUMENTS**

D467,254 S 12/2002 Ullrich  
D479,247 S 9/2003 Ullrich  
D531,194 S 10/2006 Hertenstein et al.  
D538,826 S 3/2007 Kienzle

D562,849 S \* 2/2008 Buitenhuis ..... D15/7  
D595,748 S 7/2009 Kratschmer  
D634,664 S \* 3/2011 DaRif ..... D15/7  
D684,197 S 6/2013 Kienzle et al.  
D690,324 S 9/2013 Kienzle et al.  
D691,638 S \* 10/2013 Alexander ..... D15/7  
D700,212 S \* 2/2014 Alexander ..... D15/7  
D704,748 S \* 5/2014 Beers ..... D15/7  
D709,524 S 7/2014 Ohser et al.  
D717,344 S 11/2014 Ohser et al.  
D732,641 S 6/2015 Hermann  
D733,764 S \* 7/2015 Ohser ..... D15/9

**OTHER PUBLICATIONS**

U.S. Appl. No. 29/466,228, filed Sep. 5, 2013, Ohser.  
(Continued)

*Primary Examiner* — Ralf Seifert

(74) *Attorney, Agent, or Firm* — Reinhart Boerner Van  
Deuren P.C.

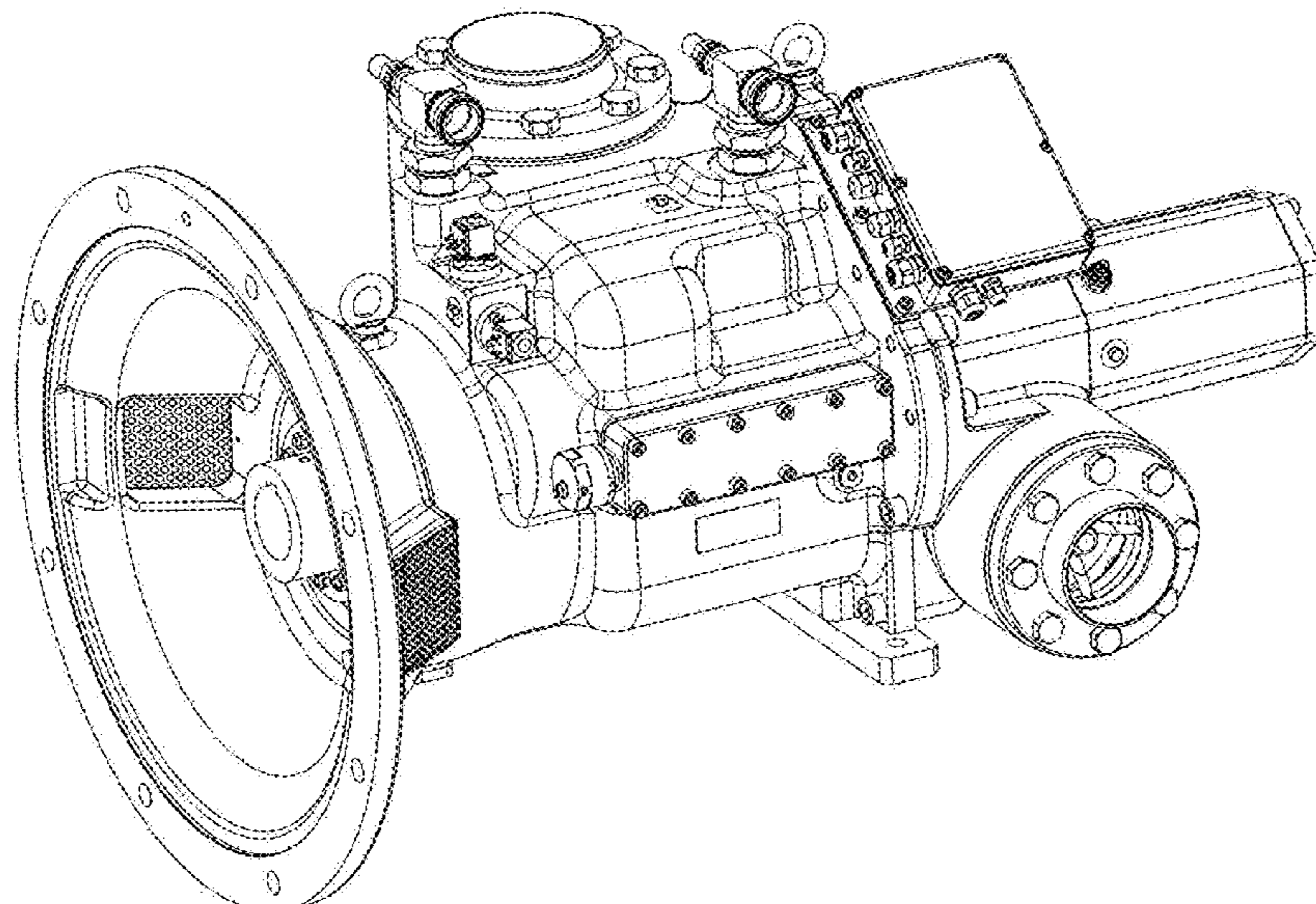
(57) **CLAIM**

I claim the ornamental design for the compressor, as shown  
and described.

**DESCRIPTION**

FIG. 1 is a front left-side respective view of a compressor of  
the present design;  
FIG. 2 is a front view of the compressor of FIG. 1;  
FIG. 3 is a left-side view of the compressor of FIG. 1;  
FIG. 4 is a right-side view of the compressor of FIG. 1;  
FIG. 5 is a rear view of the compressor of FIG. 1;  
FIG. 6 is a top view of the compressor of FIG. 1; and,  
FIG. 7 is a bottom view of the compressor of FIG. 1.  
The broken lines are included for the purpose of illustrating  
portions of the compressor that form no part of the claimed  
design.

**1 Claim, 7 Drawing Sheets**



(56)

**References Cited**

OTHER PUBLICATIONS

U.S. Appl. No. 29/501,852, filed Sep. 9, 2014, Ohser et al.

U.S. Appl. No. 29/502,097, filed Sep. 11, 2014, Kienzle.

U.S. Appl. No. 29/523,692, filed Apr. 13, 2015, Wipper et al.

\* cited by examiner

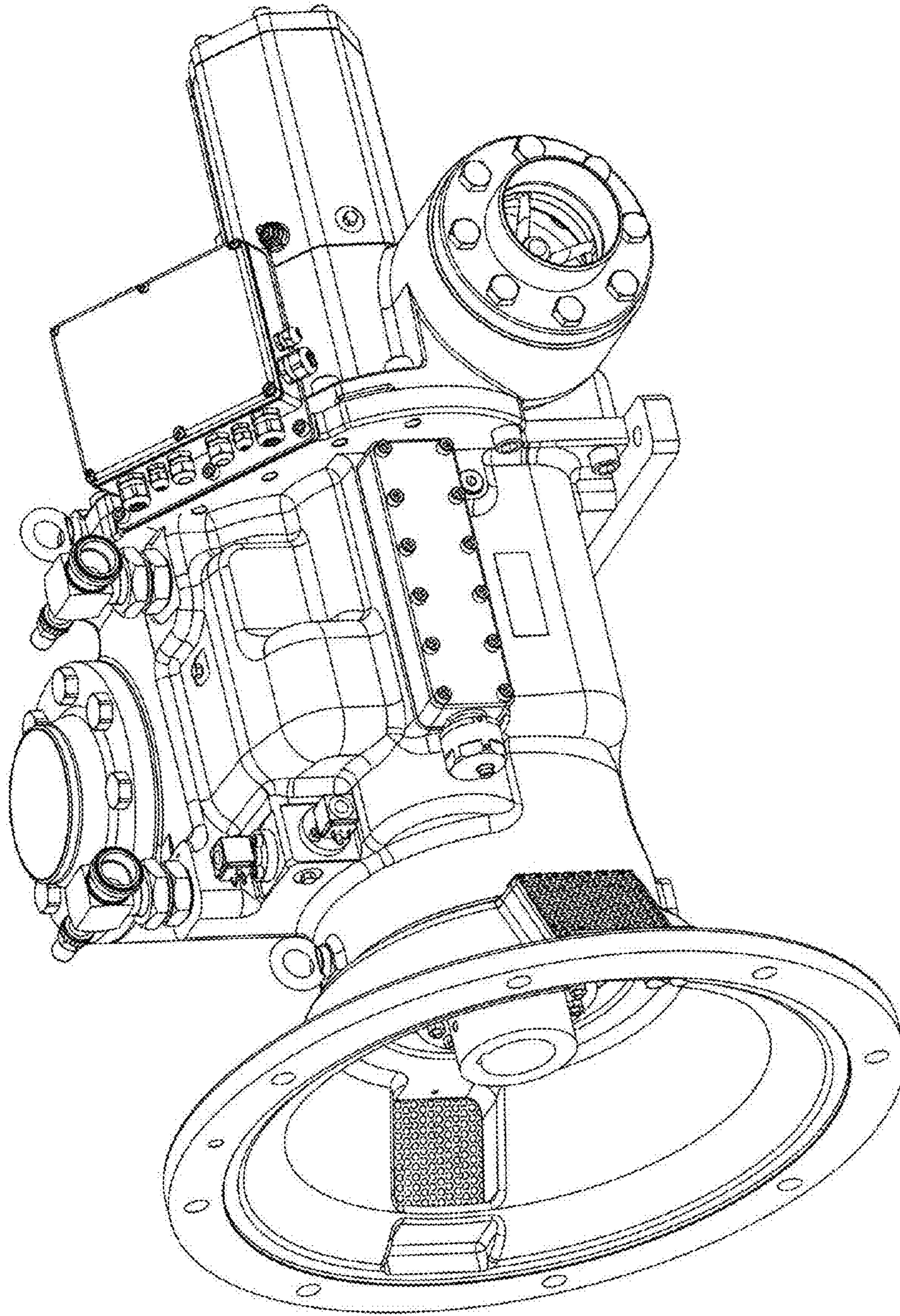


FIG. 1

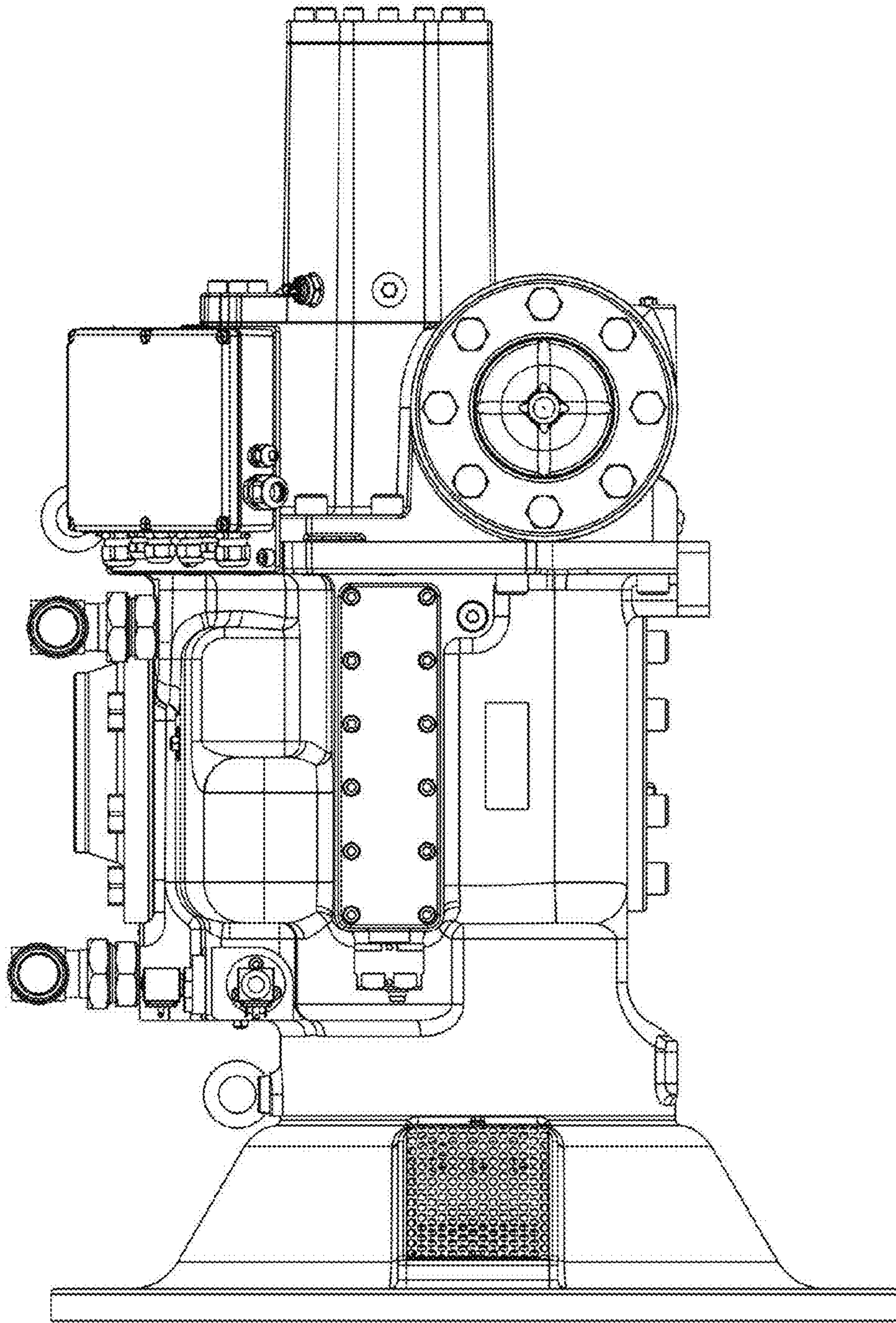


FIG. 2

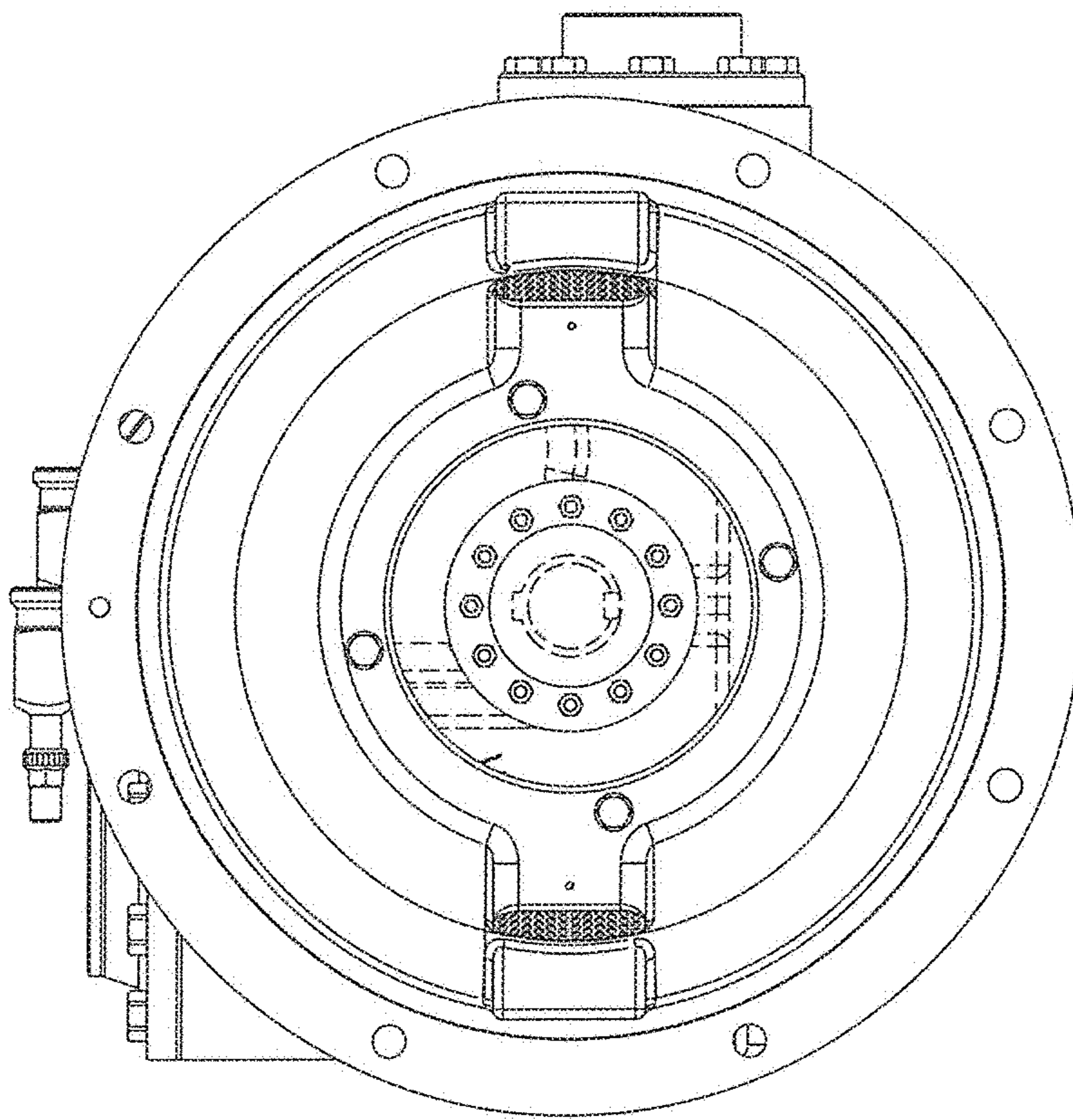


FIG. 3

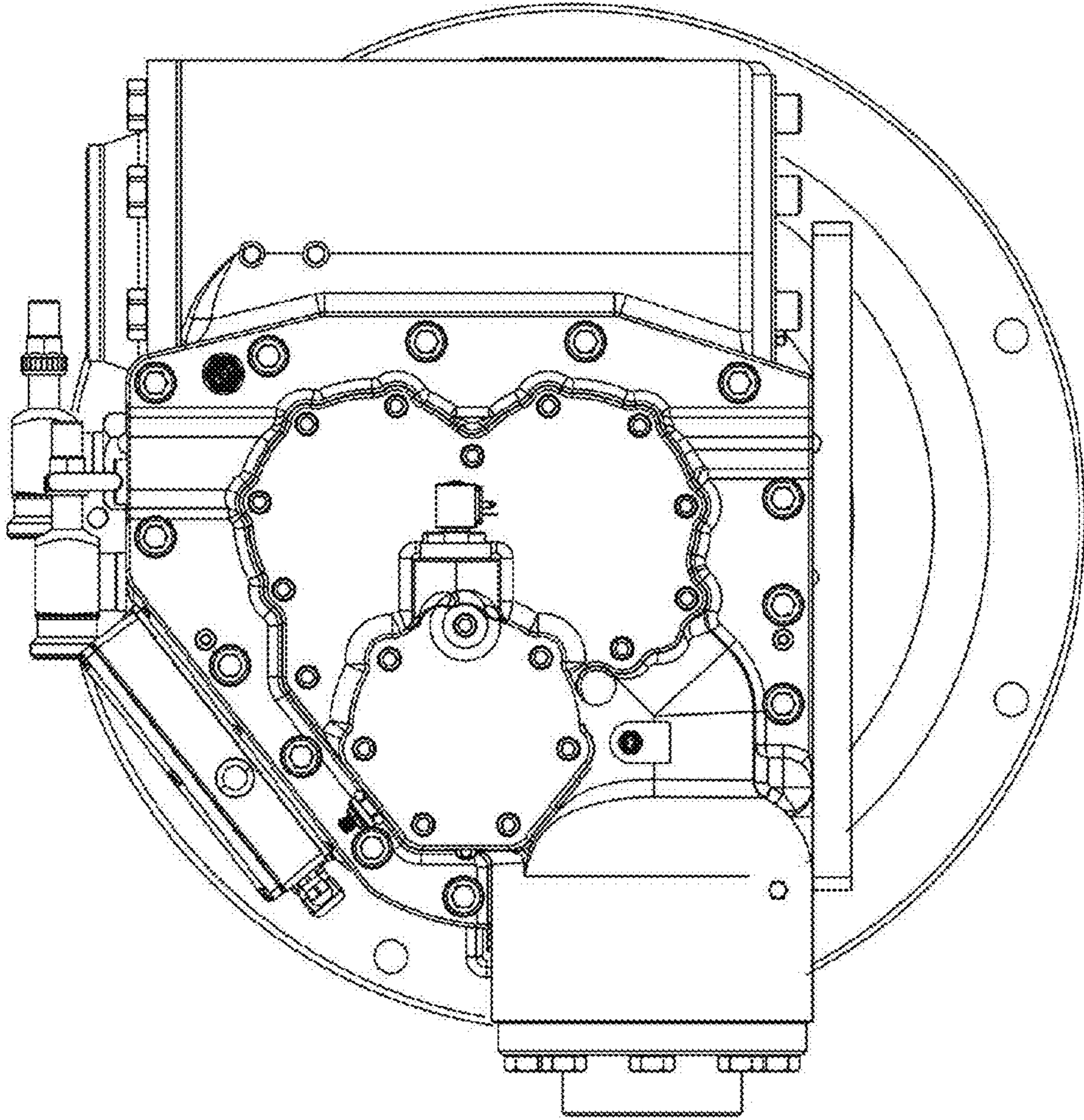


FIG. 4

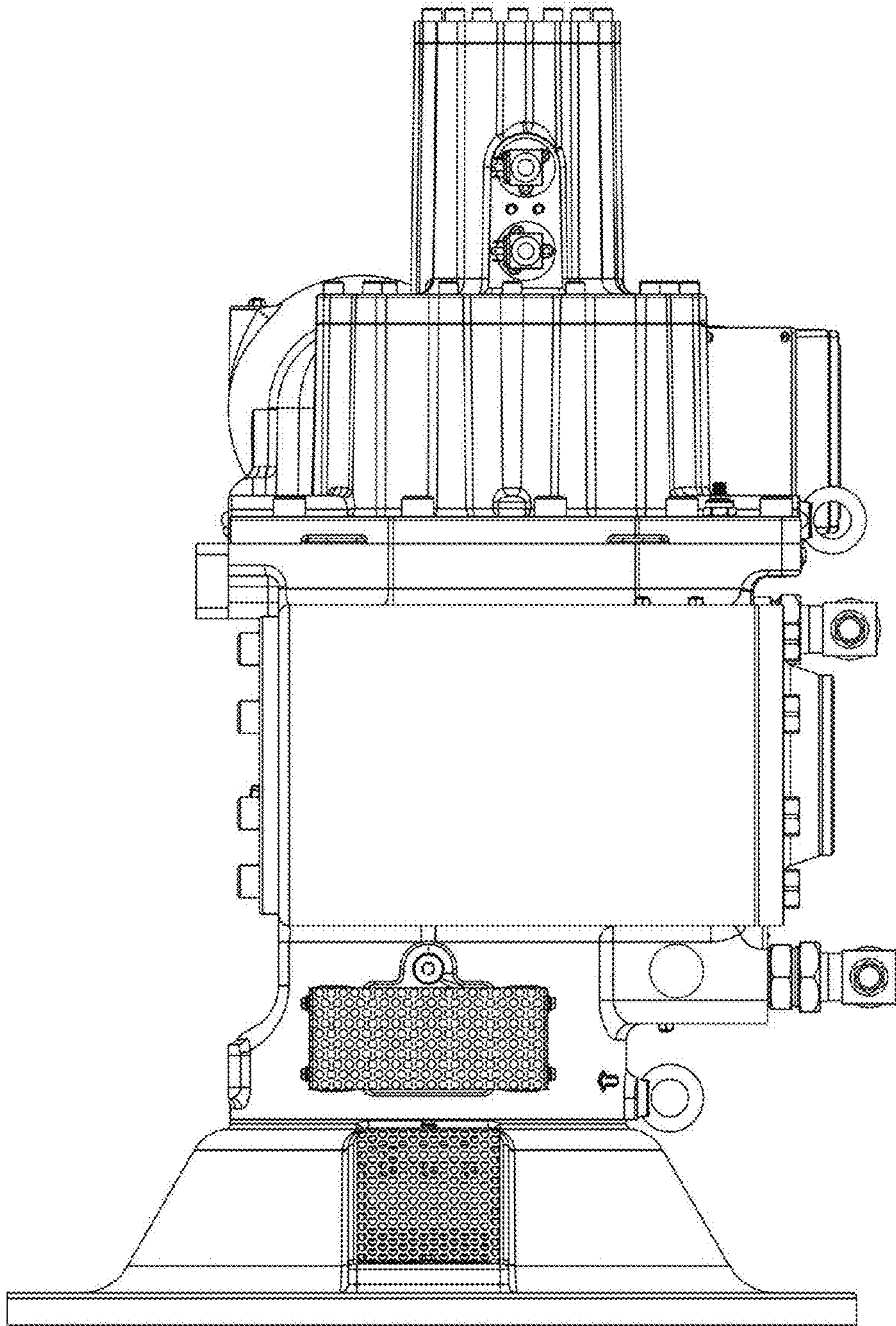


FIG. 5

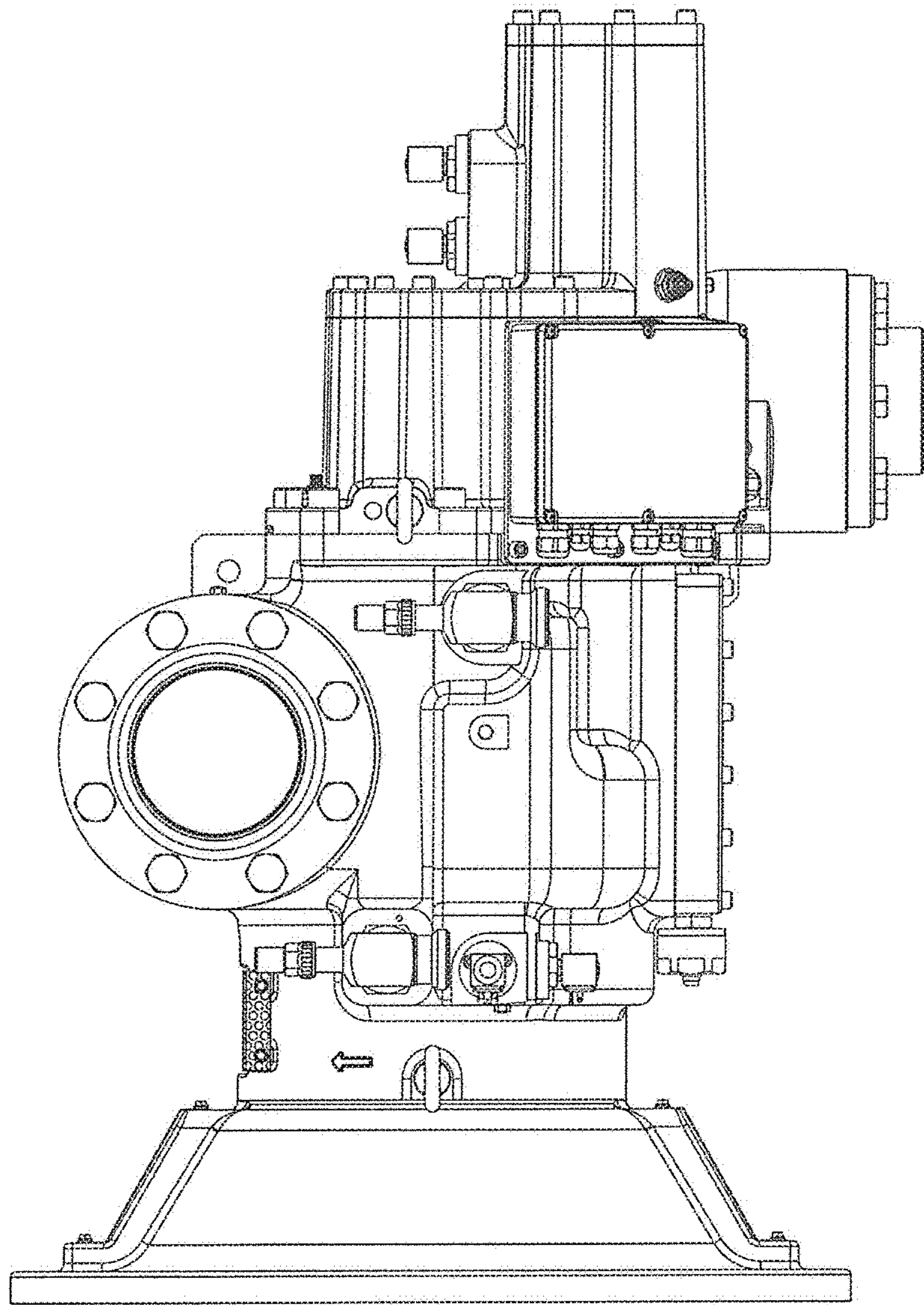


FIG. 6



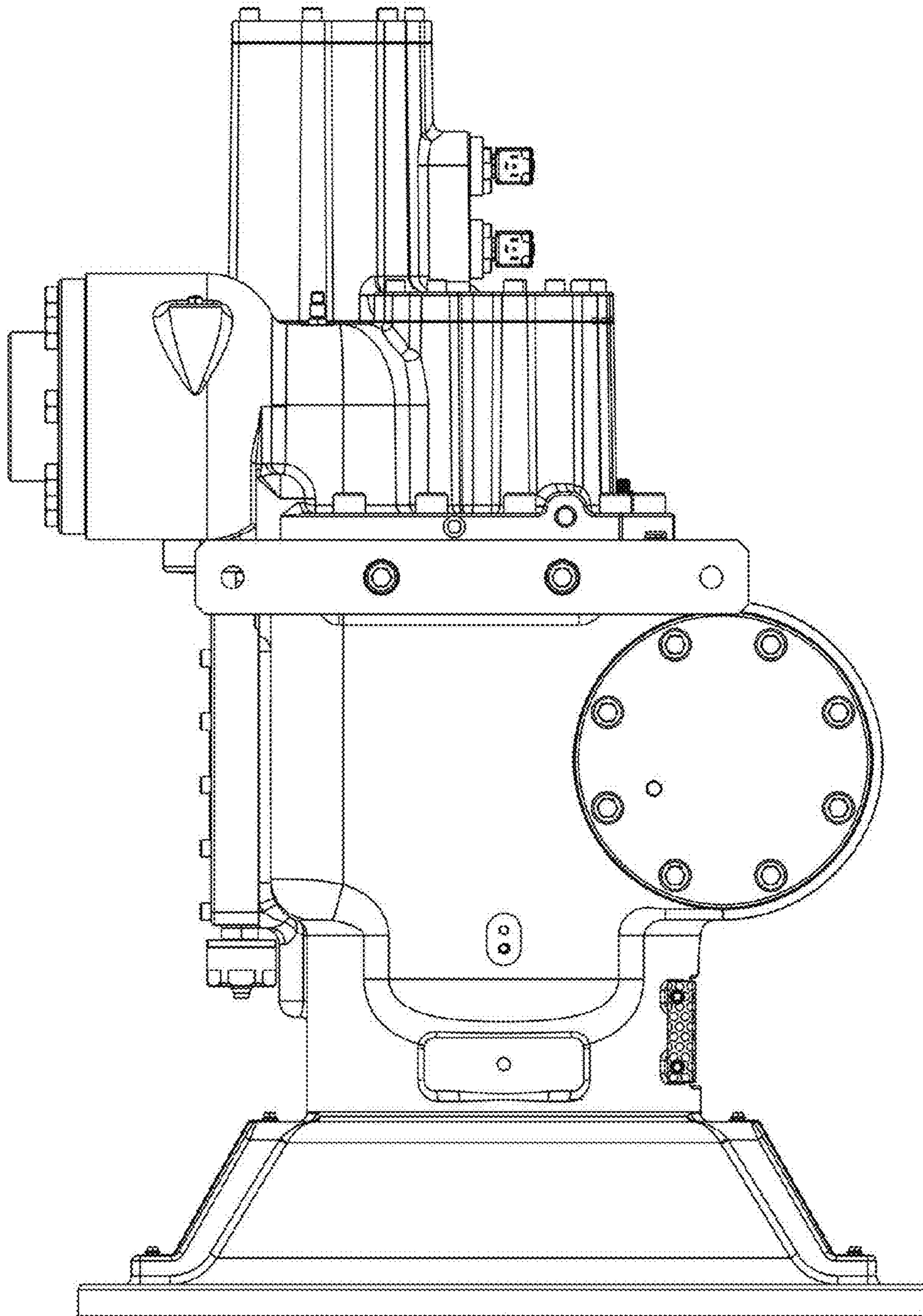


FIG. 7