



US00D763322S

(12) **United States Design Patent**
Haugaard et al.

(10) **Patent No.:** **US D763,322 S**

(45) **Date of Patent:** **** Aug. 9, 2016**

(54) **PUMP**

(56) **References Cited**

(71) Applicant: **Danfoss A/S**, Nordborg (DK)

U.S. PATENT DOCUMENTS

(72) Inventors: **Erik Haugaard**, Gråsten (DK); **Poul Erik Hansen**, Aabenraa (DK); **Stig Andersen**, Kruså (DK)

D629,423 S	*	12/2010	Varini	D15/7
D650,813 S	*	12/2011	Varini	D15/7
D657,799 S	*	4/2012	Jung	D15/7
D695,318 S	*	12/2013	Link	D15/9
D745,058 S	*	12/2015	Iversen	D15/7

(73) Assignee: **Danfoss A/S**, Nordborg (DK)

* cited by examiner

(**) Term: **15 Years**

Primary Examiner — Ralf Seifert

(21) Appl. No.: **29/533,169**

(74) *Attorney, Agent, or Firm* — McCormick, Paulding & Huber LLP

(22) Filed: **Jul. 15, 2015**

(57) **CLAIM**

The ornamental design for a pump, substantially as shown and described.

(30) **Foreign Application Priority Data**

DESCRIPTION

Feb. 11, 2015 (EM) 002630905

(51) **LOC (10) Cl.** **15-02**

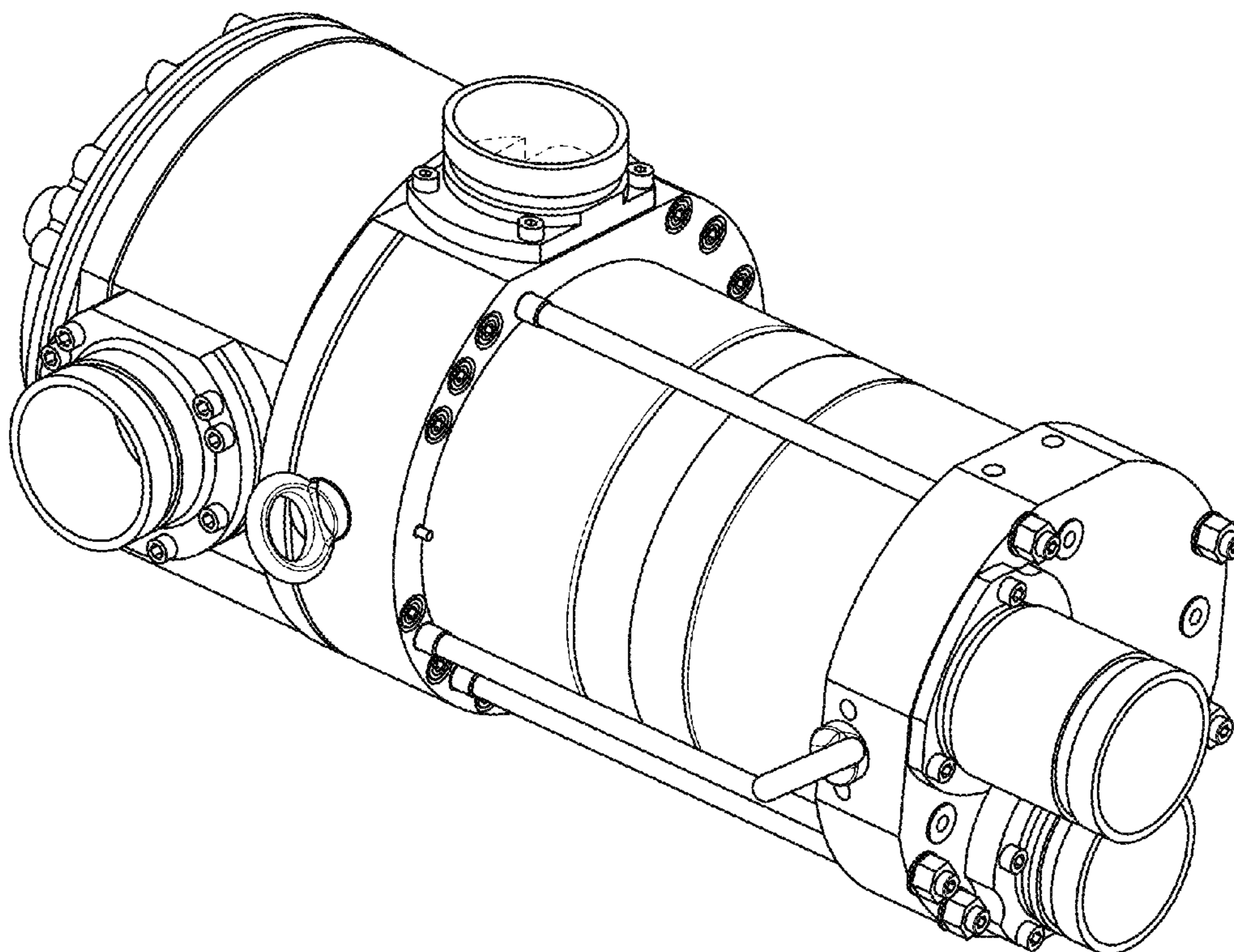
(52) **U.S. Cl.**
USPC **D15/7**

(58) **Field of Classification Search**
USPC D15/7-9; D23/231, 232, 225; 417/60, 417/235, 265, 321, 355, 358, 363, 359, 417/410.1, 415-416, 405, 900; 60/408, 60/412; 184/26-37; 415/140-147; 123/495, 509; 137/565.34
CPC F02M 37/04; F02M 37/14
See application file for complete search history.

FIG. 1 is a top, front, right-hand side perspective view of a pump comprising a new, original and ornamental design; FIG. 2 is a left-hand side view thereof; FIG. 3 is a right-hand side view thereof; FIG. 4 is a top view thereof; FIG. 5 is a bottom view thereof; FIG. 6 is a front view thereof; and, FIG. 7 is a back view thereof.

The broken lines are included for the purpose of illustrating portions of the pump that form no part of the claimed design.

1 Claim, 7 Drawing Sheets



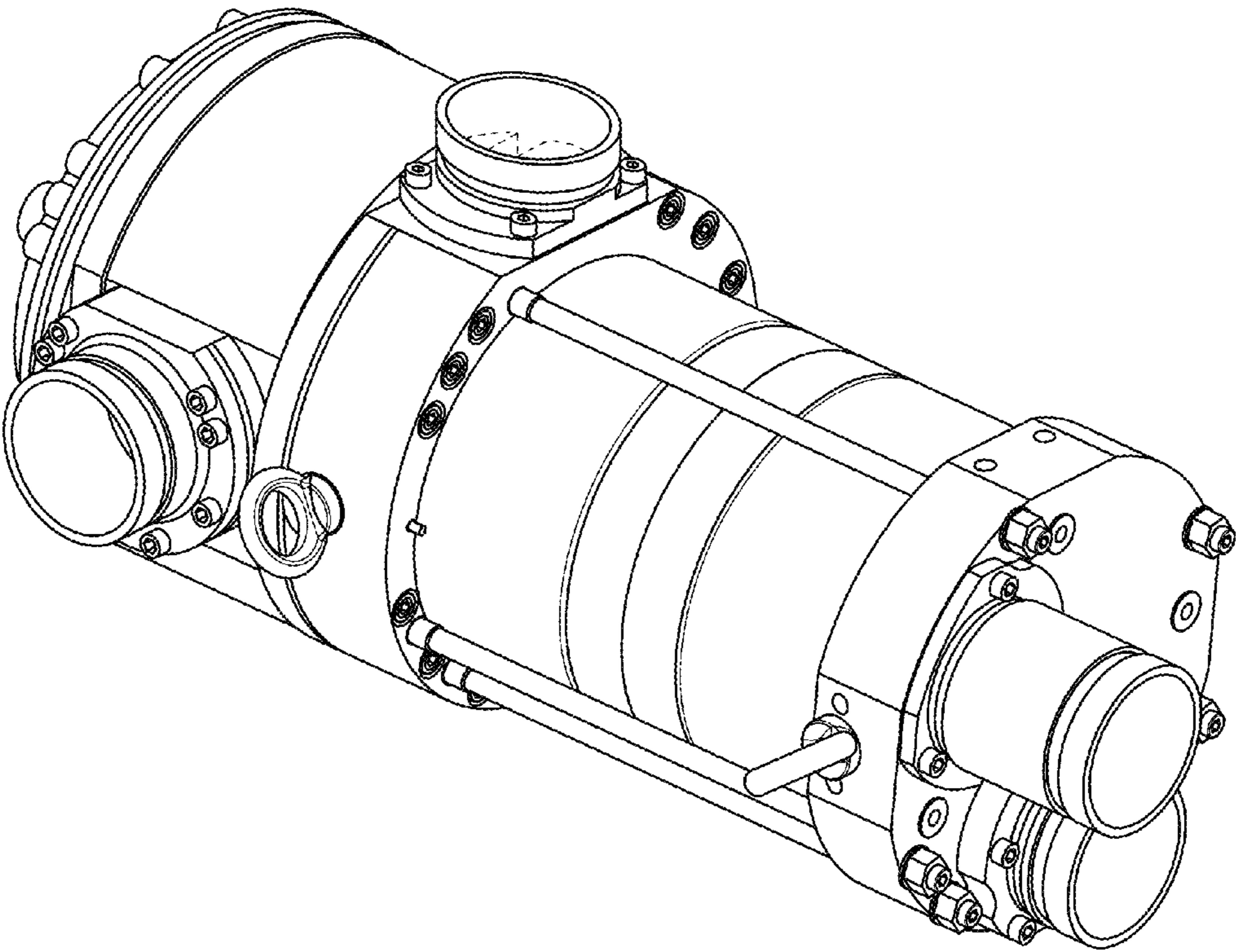


FIG. 1

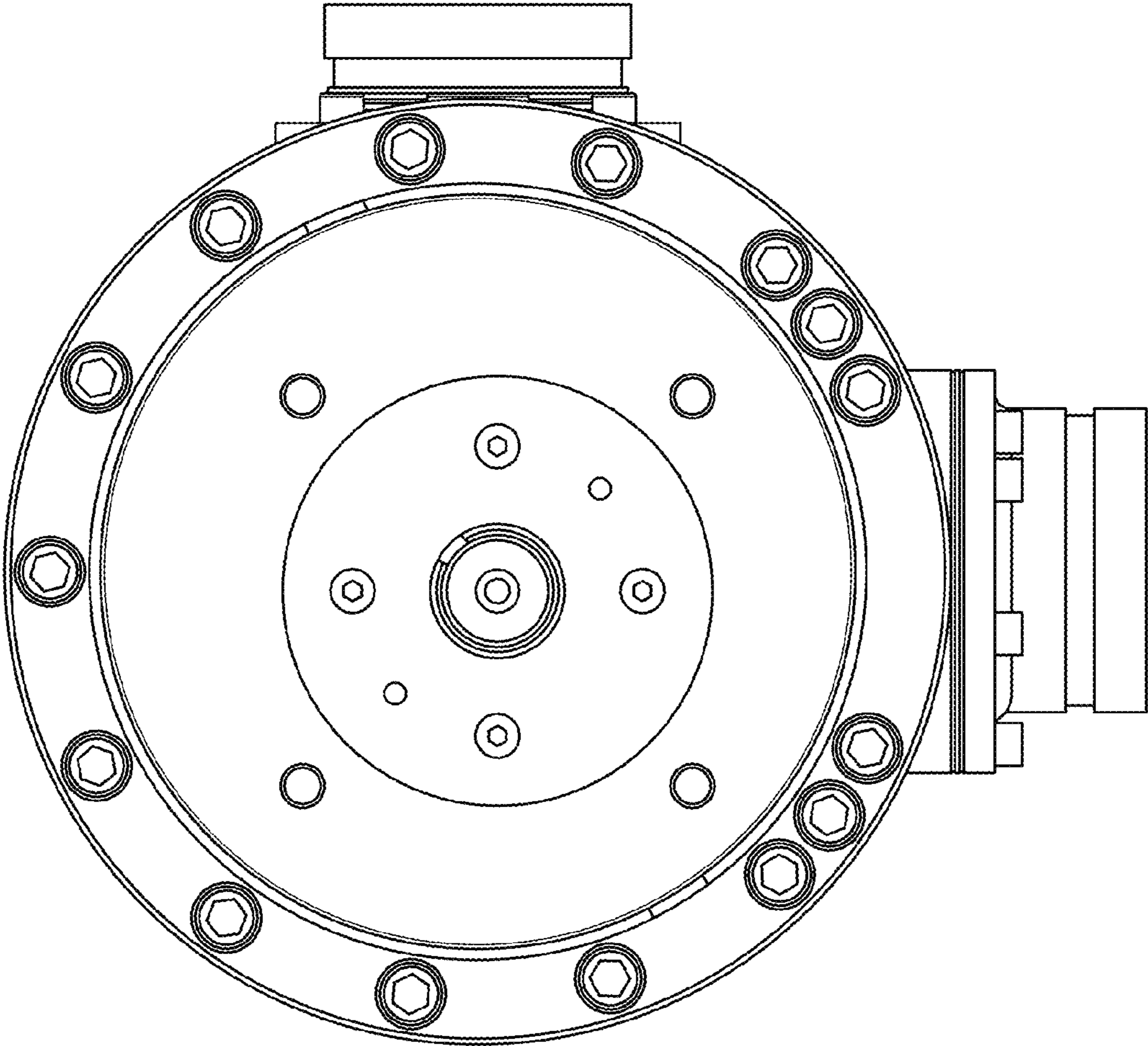


FIG. 2

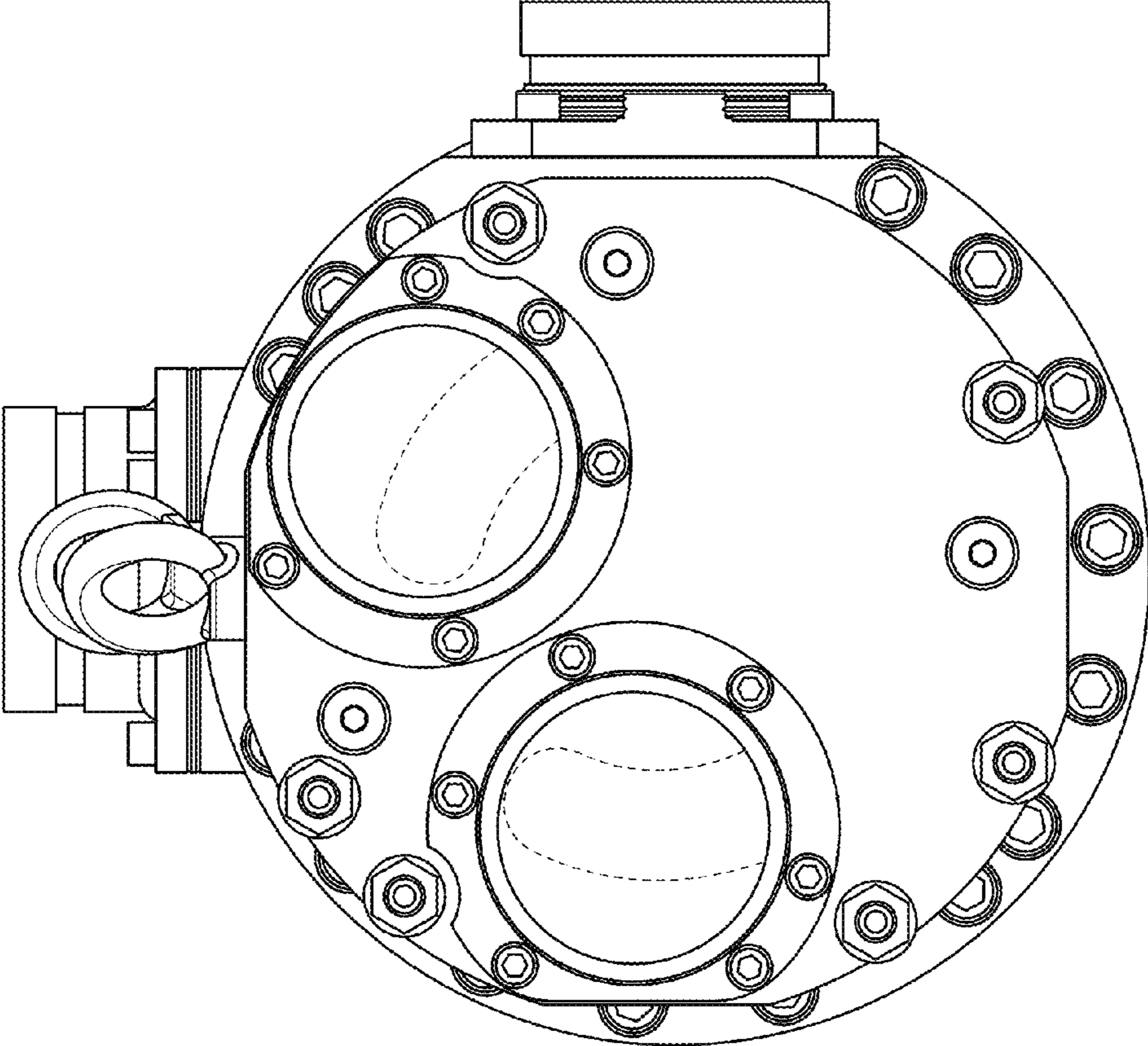


FIG. 3

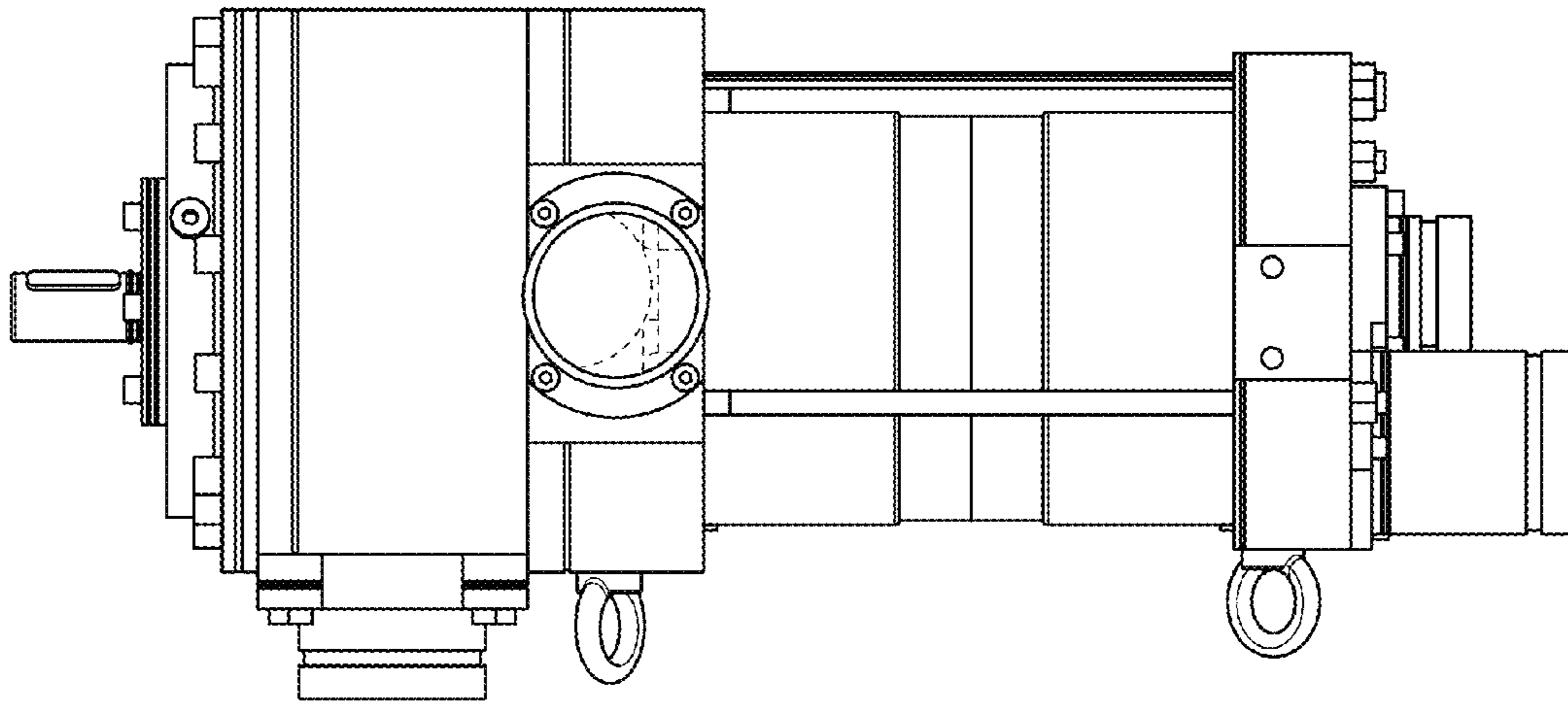


FIG. 4

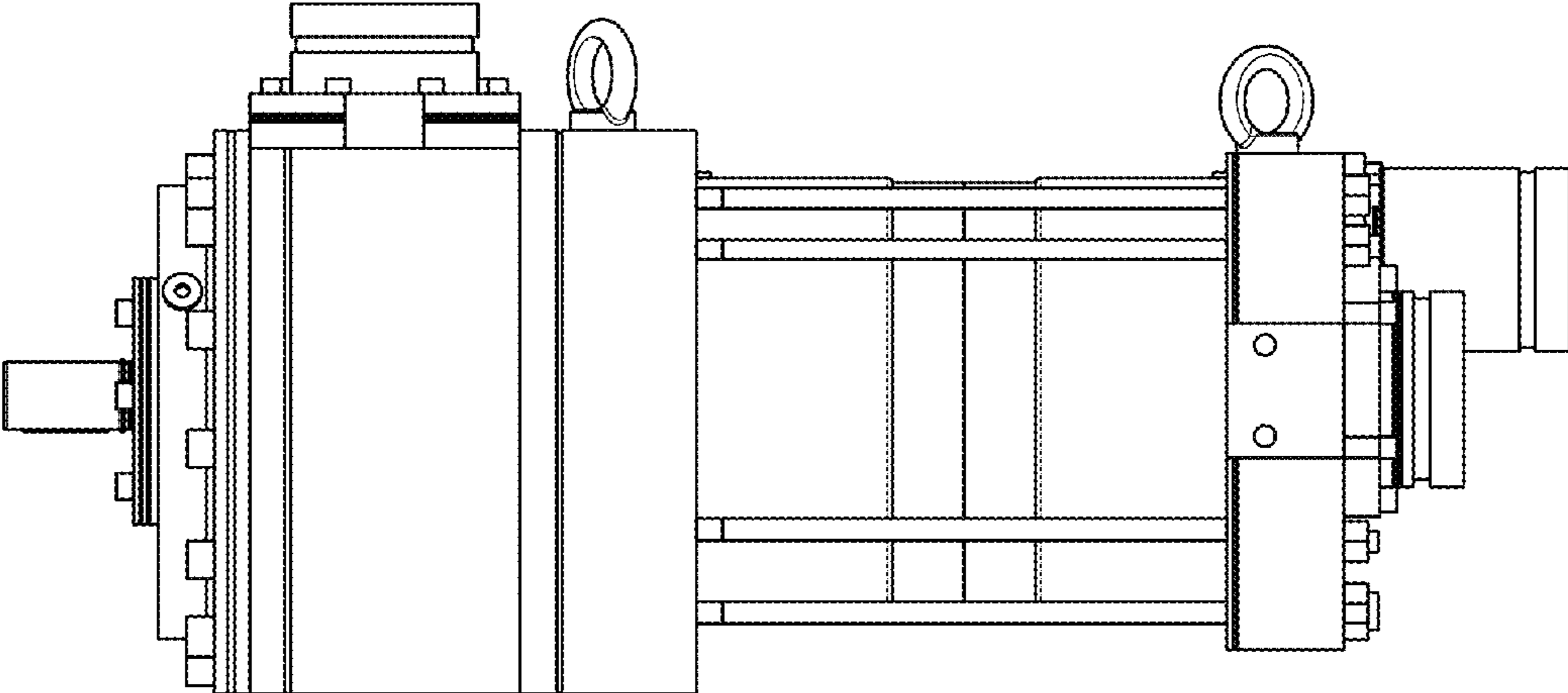


FIG. 5

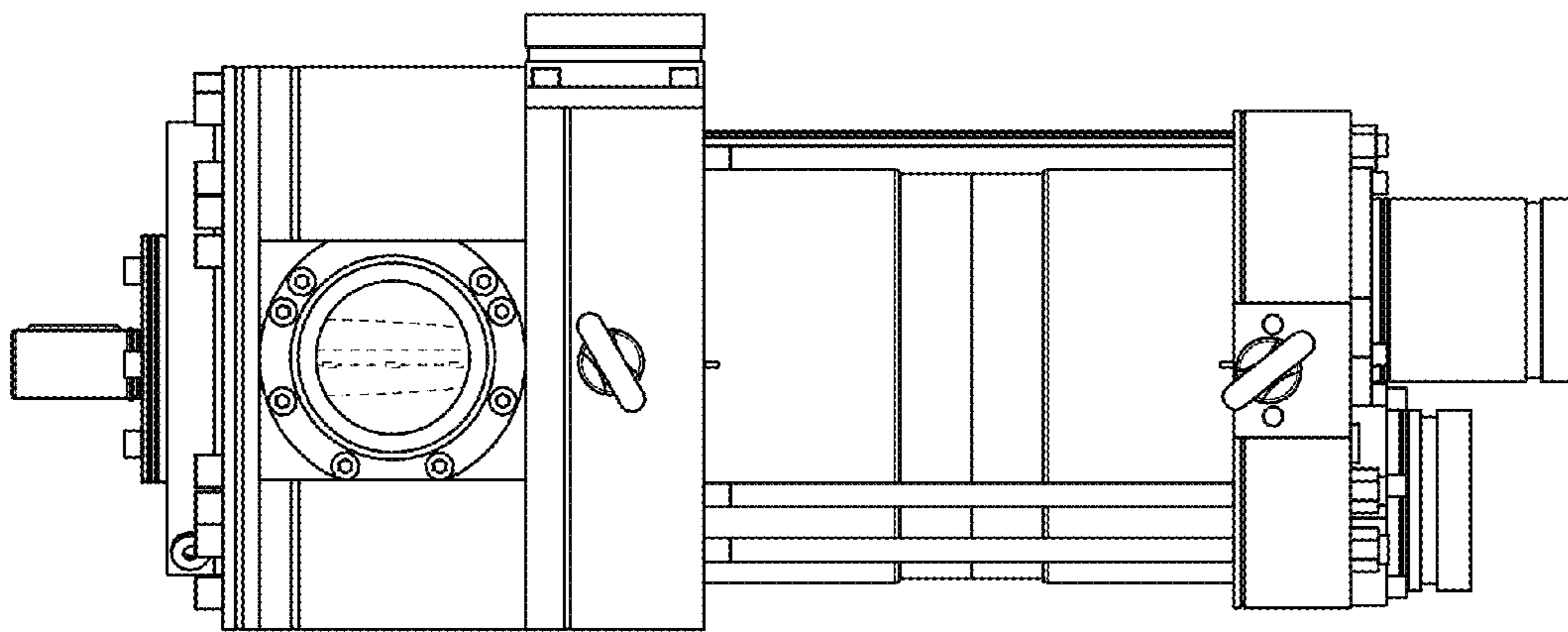


FIG. 6

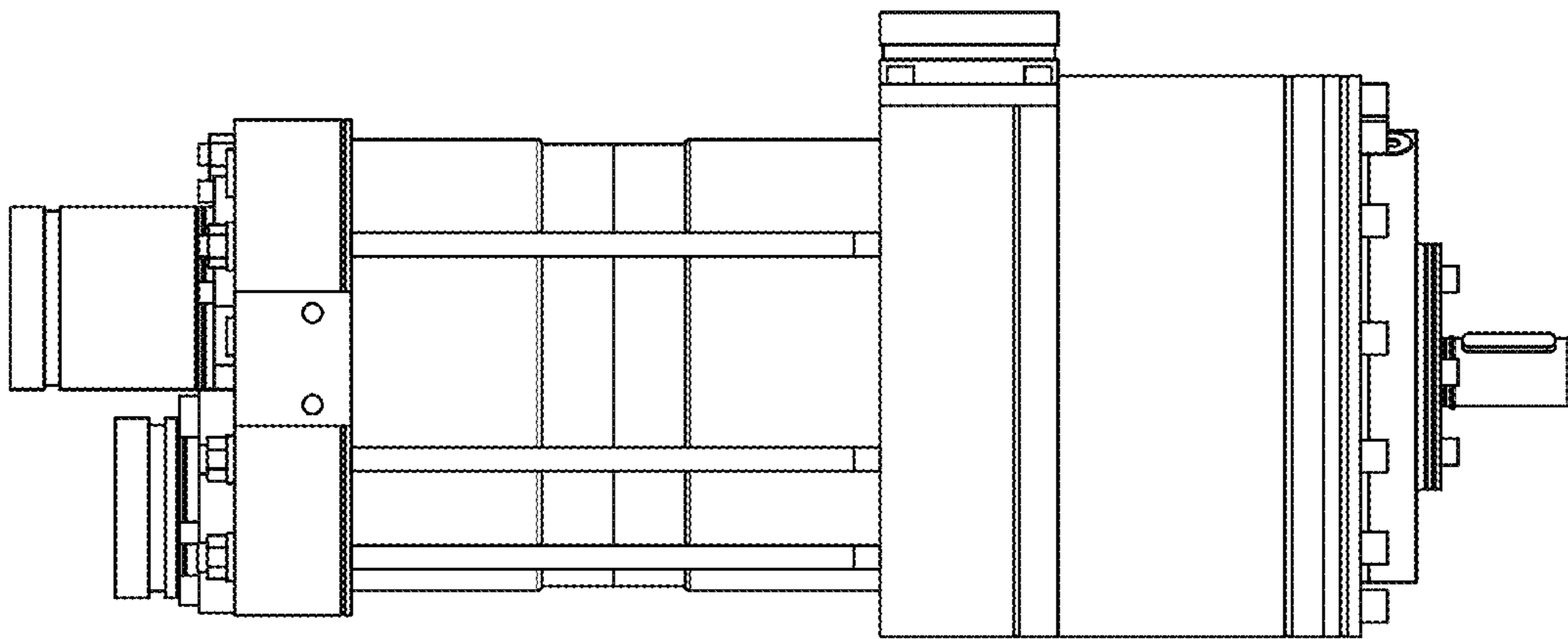


FIG. 7