



US00D763321S

(12) **United States Design Patent**
Ostrosky et al.

(10) **Patent No.:** **US D763,321 S**
(45) **Date of Patent:** **** Aug. 9, 2016**

(54) **PULSE DAMPER**
(71) Applicant: **Eaton Corporation**, Cleveland, OH
(US)
(72) Inventors: **James P Ostrosky**, Brighton, MI (US);
James T James, Ann Arbor, MI (US);
Keith Westwood, Brierley Hill (GB)
(73) Assignee: **Eaton Corporation**, Cleveland, OH
(US)
(**) Term: **14 Years**

6,095,774 A 8/2000 Tanaka
6,155,235 A 12/2000 Kilgore
6,223,725 B1 5/2001 Onishi
D459,364 S * 6/2002 Van Den Brink D15/5
6,491,065 B1 * 12/2002 Rogers F04B 11/0016
138/30
D478,093 S * 8/2003 Bentley D15/5
D499,794 S * 12/2004 Comer D23/233
6,901,914 B1 6/2005 Becene
6,901,964 B2 6/2005 Kippe
7,124,738 B2 10/2006 Usui
7,165,534 B2 1/2007 Usui
D558,794 S * 1/2008 Kabayama D15/7
D604,332 S * 11/2009 Tokunaga D15/7

(Continued)

(21) Appl. No.: **29/518,709**
(22) Filed: **Feb. 26, 2015**
(51) **LOC (10) Cl.** **15-02**
(52) **U.S. Cl.**
USPC **D15/7**
(58) **Field of Classification Search**
USPC D15/7-9, 5; D23/231, 232, 225;
417/60, 235, 265, 321, 355, 358, 363,
417/359, 410.1, 415-416, 405, 900, 540;
60/408, 412; 184/26-37; 415/140-147;
123/495, 509; 137/565.34
CPC F02M 37/04; F02M 37/14; F02M 31/10;
F02M 41/00; F16L 55/04
See application file for complete search history.

FOREIGN PATENT DOCUMENTS

EP 1996446 11/2008
EP 2385241 11/2011

Primary Examiner — Ralf Seifert
(74) *Attorney, Agent, or Firm* — Remarck Law Group PLC

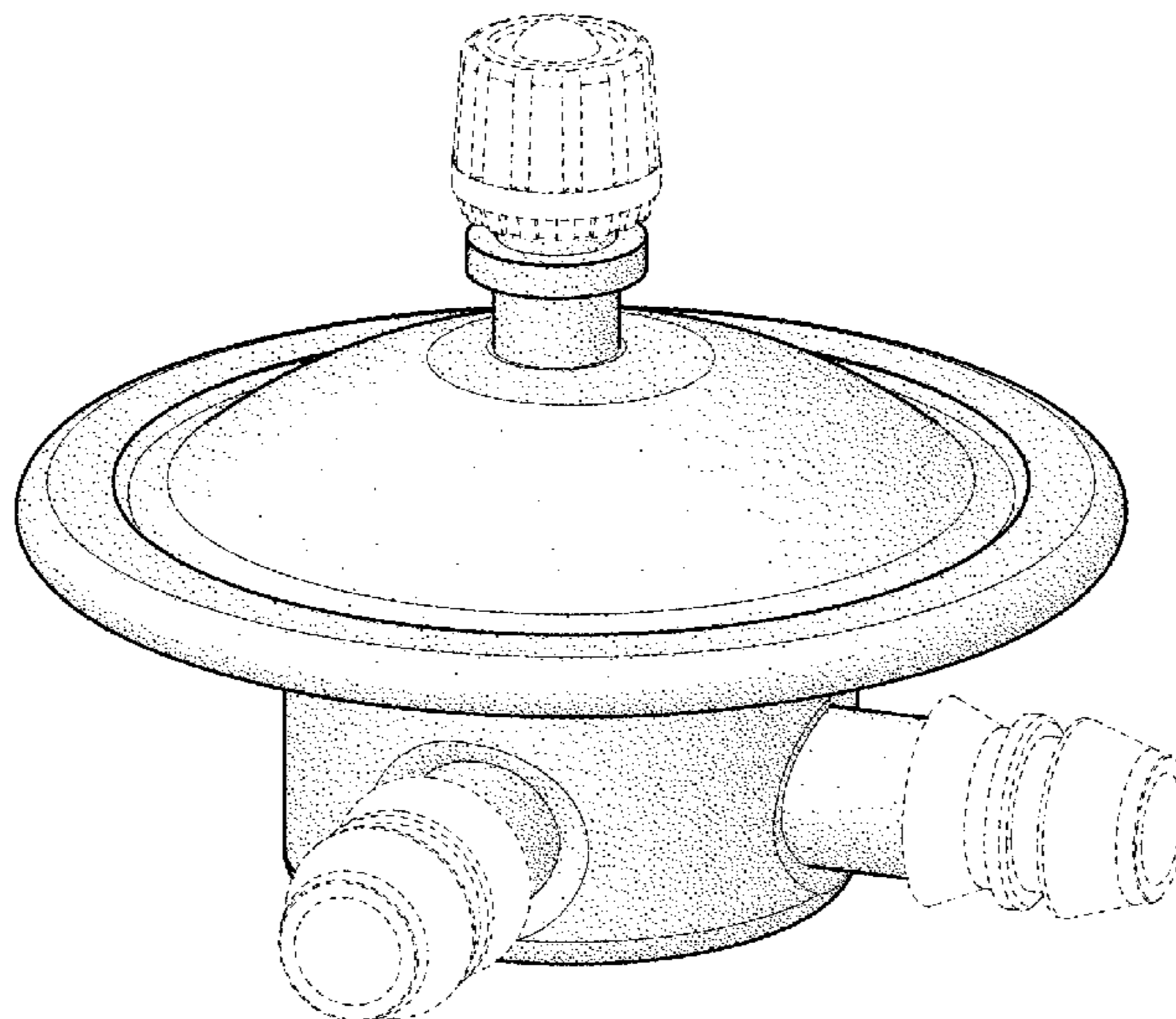
(57) **CLAIM**
The ornamental design for a pulse damper, as shown and described.

DESCRIPTION

FIG. 1 is a top perspective view of a pulse damper showing our new design;
FIG. 2 is a bottom perspective view;
FIG. 3 is a front view;
FIG. 4 is a rear view;
FIG. 5 is a first side view;
FIG. 6 is a second side view;
FIG. 7 is a top view; and,
FIG. 8 is a bottom view.
Any portion of the pulse damper shown in broken lines is for the purpose of illustrating environmental structure and forms no part of the claimed design.

1 Claim, 5 Drawing Sheets

(56) **References Cited**
U.S. PATENT DOCUMENTS
4,222,414 A 9/1980 Achener
D271,976 S * 12/1983 Brown D15/7
D289,400 S * 4/1987 Frees D15/5
5,133,647 A 7/1992 Herron
D329,651 S * 9/1992 Kuwada D15/5
5,374,169 A 12/1994 Talaski
5,516,266 A 5/1996 Talaski
5,980,221 A 11/1999 Uffelman
6,062,830 A 5/2000 Kikuchi



US D763,321 S

Page 2

(56)

References Cited

U.S. PATENT DOCUMENTS

8,366,421 B2	2/2013	Munakata	
D721,390 S *	1/2015	Walter	D15/7
D736,265 S *	8/2015	Walter	D15/7
D616,903 S *	6/2010	Kimura	D15/7

* cited by examiner

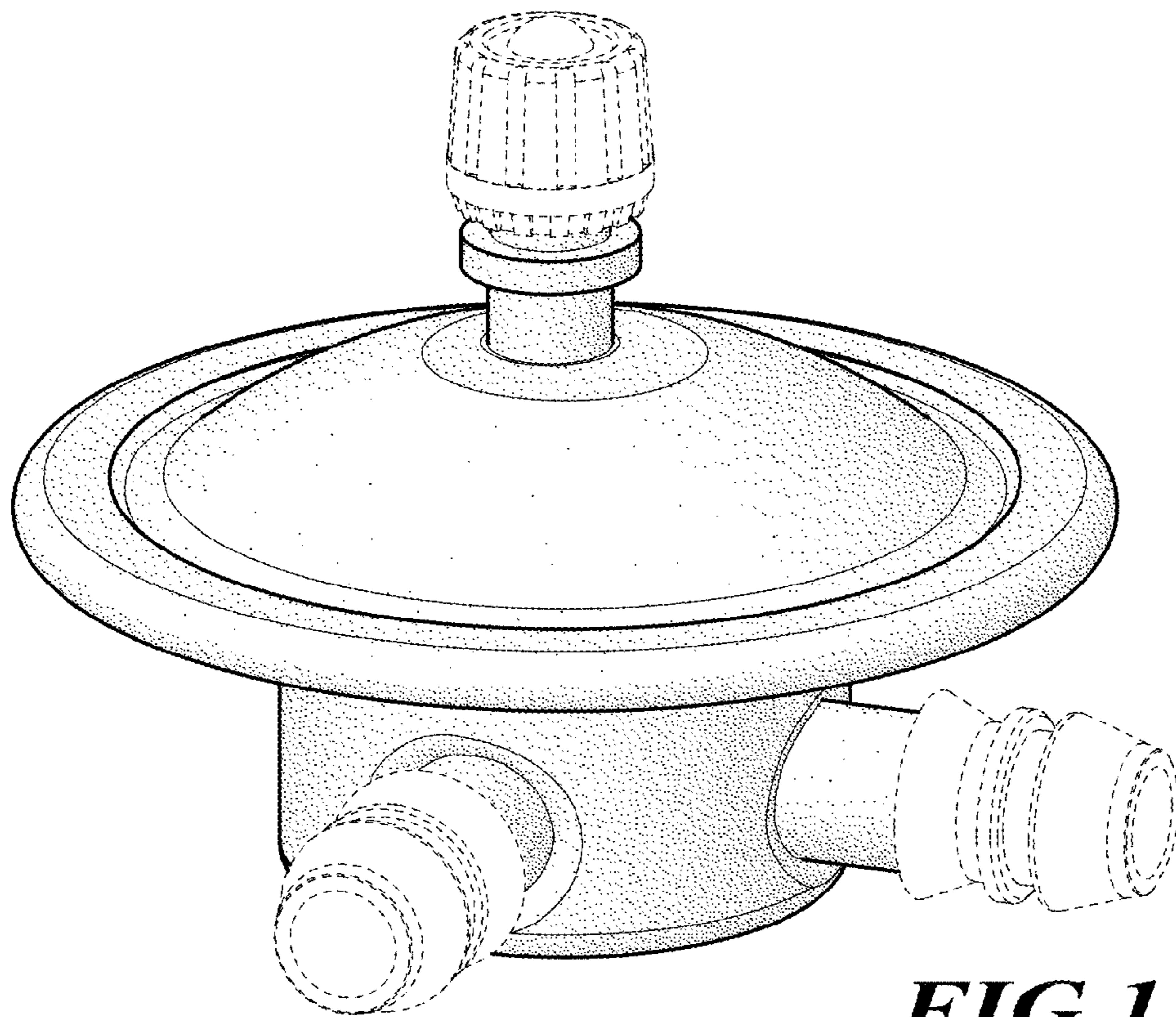


FIG. 1

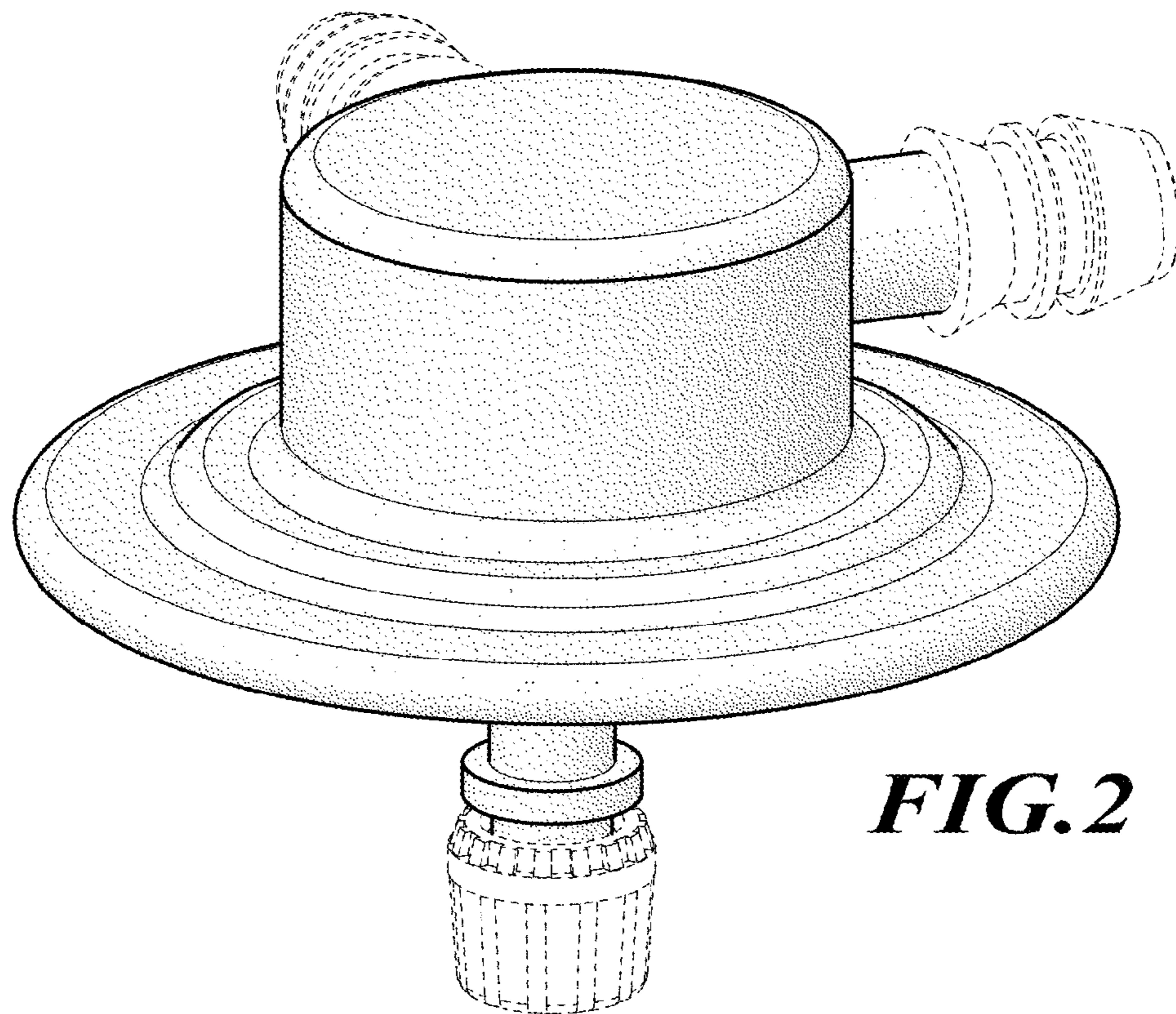


FIG. 2

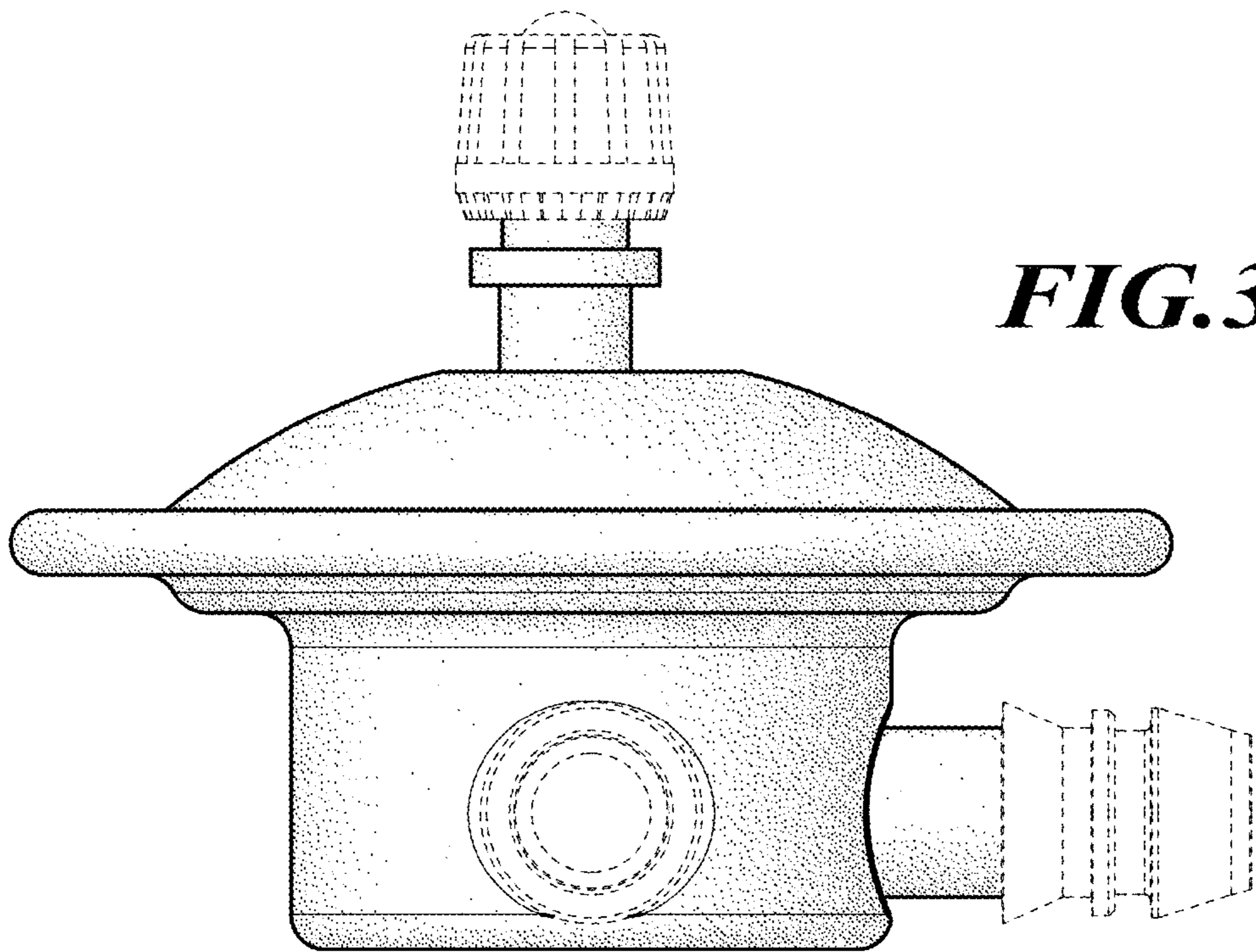


FIG. 3

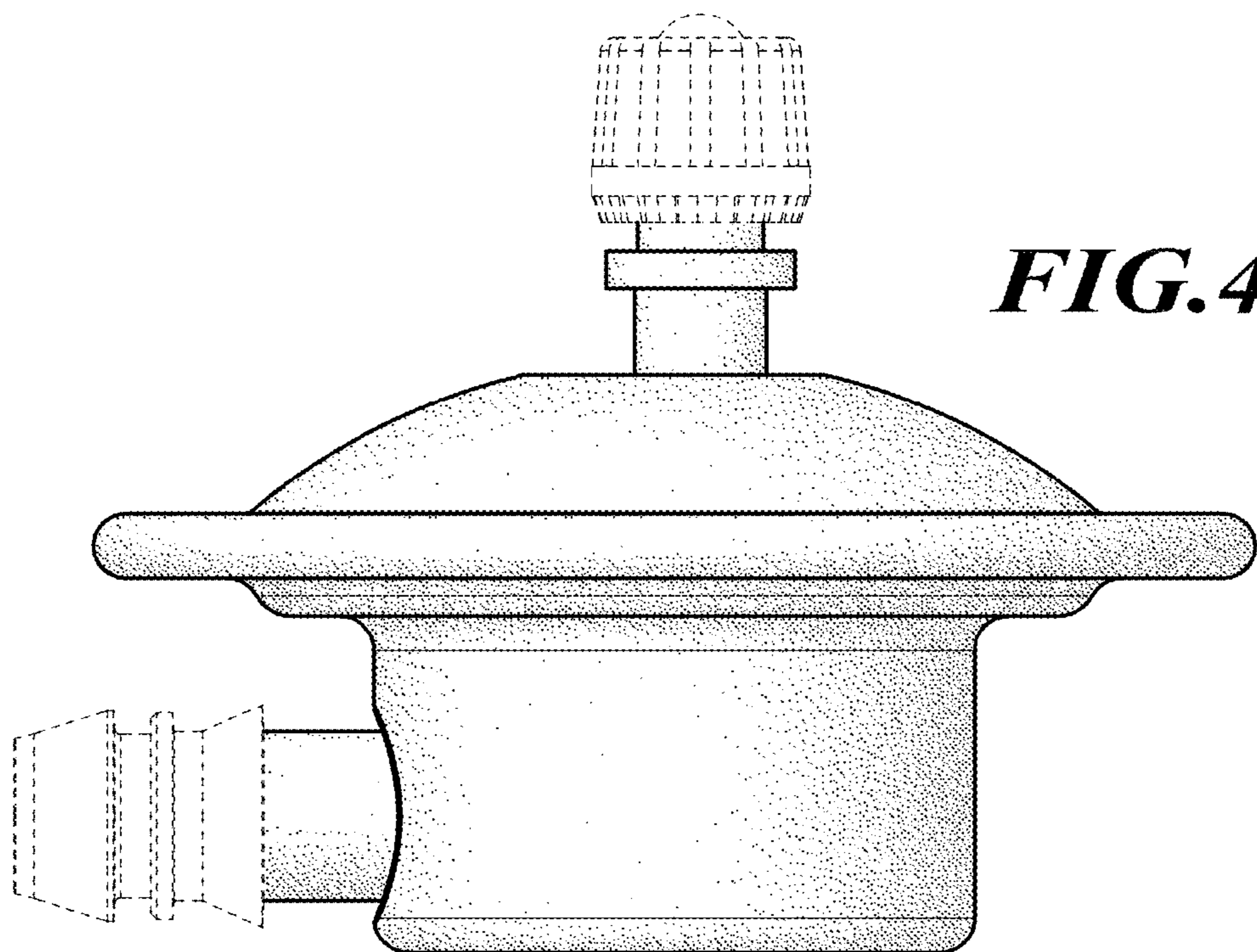


FIG. 4

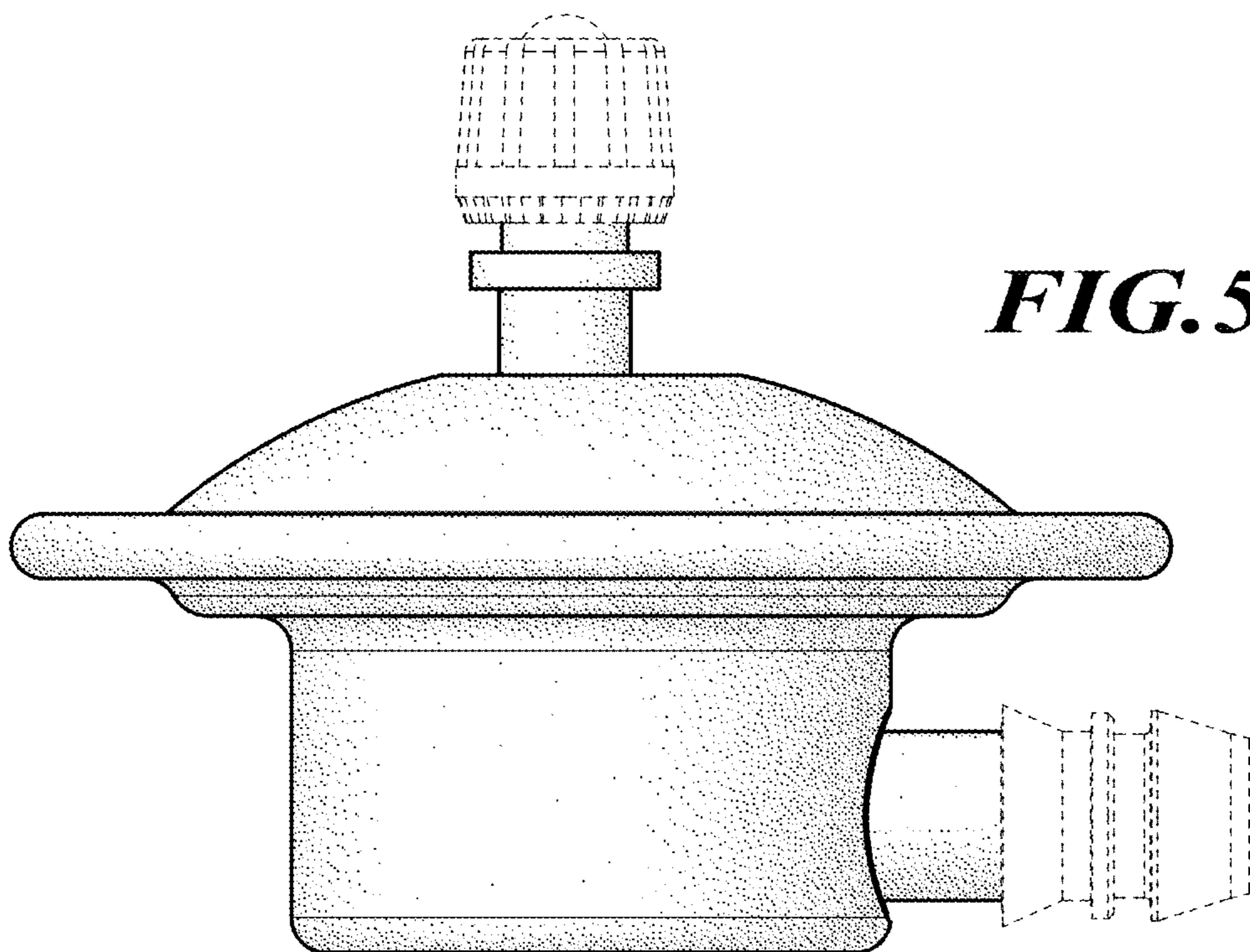


FIG. 5

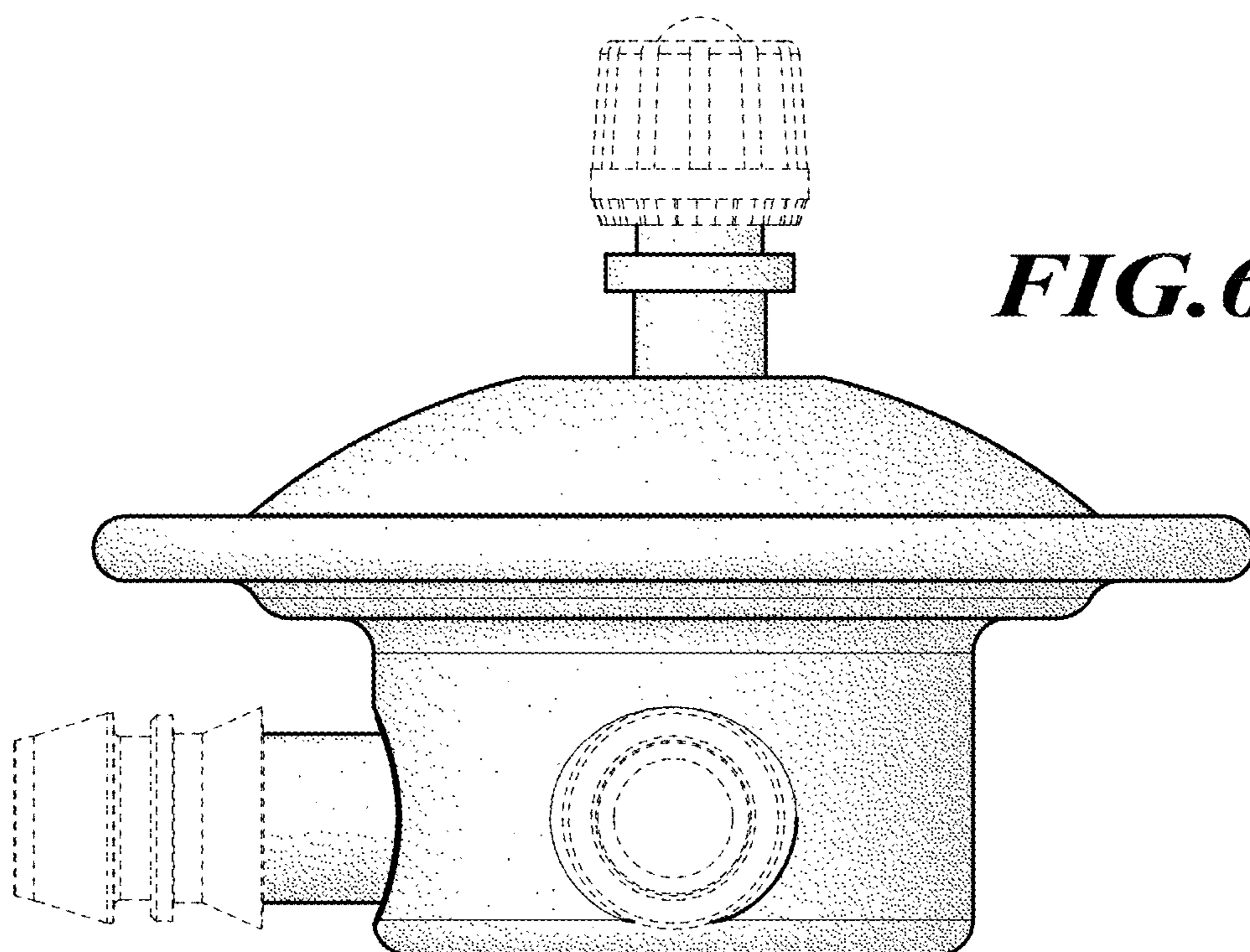


FIG. 6

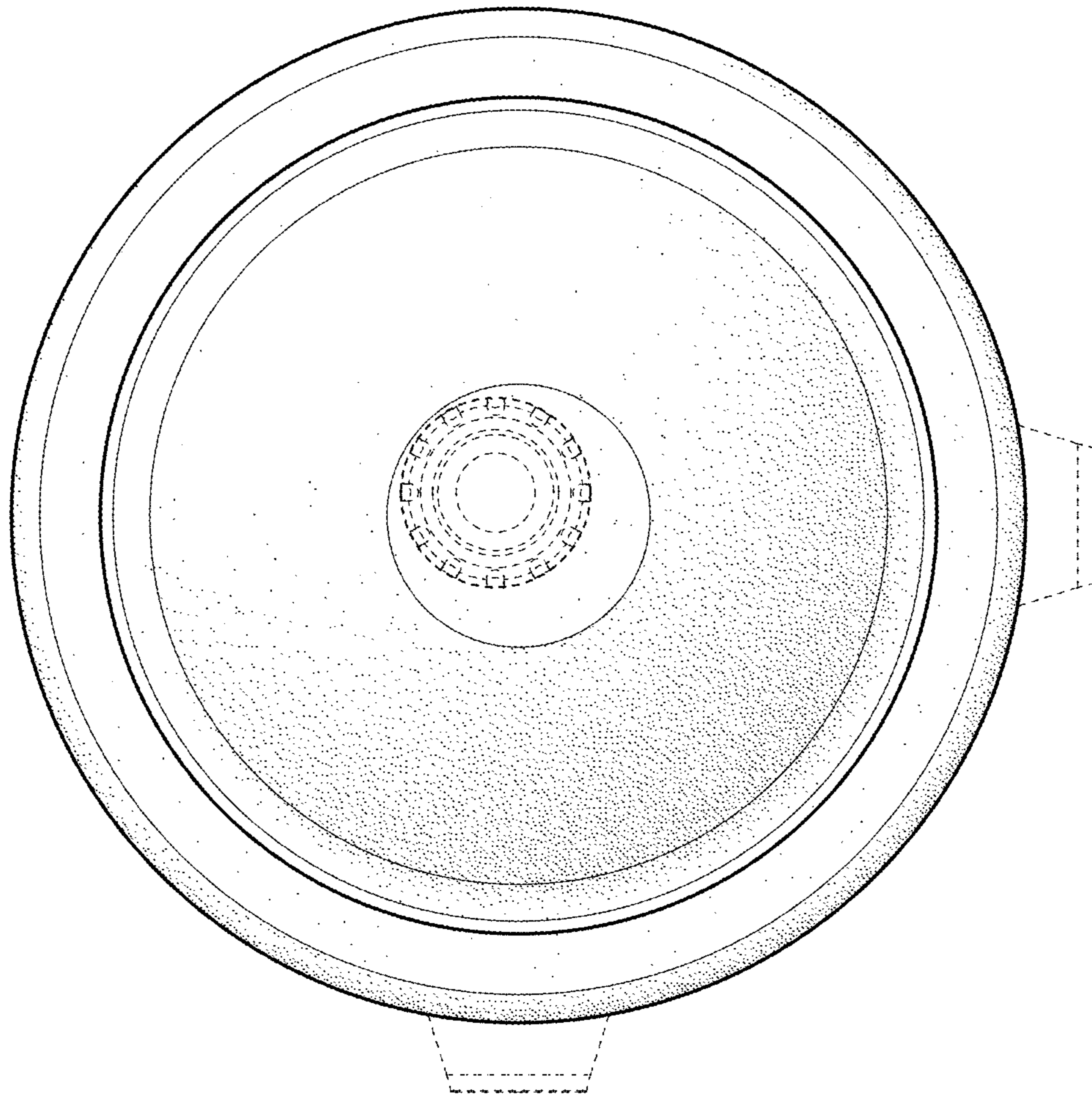


FIG. 7

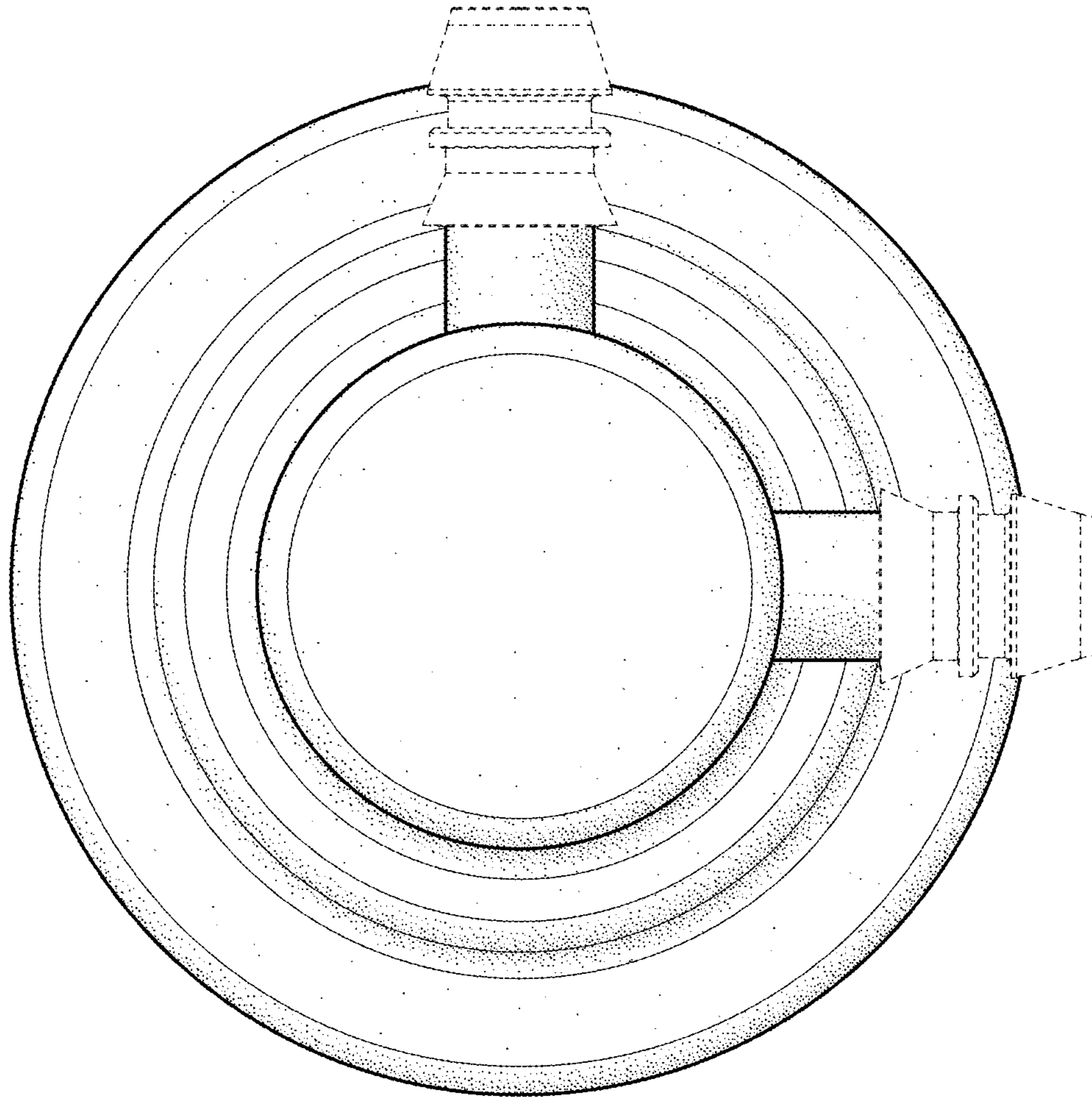


FIG. 8