



US00D763318S

(12) **United States Design Patent**  
**Jang et al.**

(10) **Patent No.:** **US D763,318 S**  
(45) **Date of Patent:** **\*\* Aug. 9, 2016**

(54) **DISPLAY PANEL WITH GRAPHICAL USER INTERFACE**

(71) Applicant: **LG ELECTRONICS INC.**, Seoul (KR)

(72) Inventors: **Jaehyung Jang**, Seoul (KR); **Eunjoung Cho**, Seoul (KR)

(73) Assignee: **LG Electronics Inc.**, Seoul (KR)

(\*\*) Term: **15 Years**

(21) Appl. No.: **29/531,711**

(22) Filed: **Jun. 29, 2015**

(30) **Foreign Application Priority Data**

Dec. 31, 2014 (KR) ..... 30-2014-0064527

(51) **LOC (10) Cl.** ..... **14-04**

(52) **U.S. Cl.**  
USPC ..... **D14/492**; D14/490

(58) **Field of Classification Search**  
USPC ..... D14/485-495; D10/32, 38  
CPC . G06F 3/0487; G06F 3/0484; G06F 3/04886;  
G06F 3/0482; G06F 3/044; G06F 2203/04803  
See application file for complete search history.

(56) **References Cited**

**U.S. PATENT DOCUMENTS**

- 5,177,712 A \* 1/1993 Kakizawa ..... G04B 19/24  
368/28
- D581,825 S \* 12/2008 Calvani ..... D10/126
- D634,663 S \* 3/2011 Linde ..... D10/126
- 8,267,403 B2 \* 9/2012 Fisher ..... A63F 5/02  
273/142 B
- D699,747 S \* 2/2014 Pearson ..... D14/488
- D702,250 S \* 4/2014 Kotler ..... D14/487

- D723,049 S \* 2/2015 Chandrasekar ..... D14/486
- D755,810 S \* 5/2016 Stone ..... D14/485
- 2008/0064471 A1 \* 3/2008 Bozeman ..... A63F 3/081  
463/17
- 2010/0289750 A1 \* 11/2010 Kim ..... G06F 3/018  
345/173
- 2013/0174092 A1 \* 7/2013 Li ..... G06F 3/04847  
715/823
- 2013/0326428 A1 \* 12/2013 Liu ..... G06F 3/04812  
715/856
- 2014/0058725 A1 \* 2/2014 Longe ..... G06F 3/0236  
704/9
- 2015/0160856 A1 \* 6/2015 Jang ..... G06F 3/04886  
715/773
- 2015/0332031 A1 \* 11/2015 Mistry ..... G06F 21/316  
726/19

\* cited by examiner

*Primary Examiner* — Sheryl Lane

*Assistant Examiner* — Katherine Glennon

(74) *Attorney, Agent, or Firm* — Birch, Stewart, Kolasch & Birch, LLP

(57) **CLAIM**

The ornamental design for a display panel with graphical user interface, as shown and described.

**DESCRIPTION**

FIG. 1 is a front view of a display panel with graphical user interface showing our new design; and, FIG. 2 is a reference view showing the usage of the subject design in which the subject design is attached to a watch shaped mobile phone.

The dark broken lines in FIGS. 1-2 represent the display screen or portion thereof and form no part of the claimed design. The light gray broken line showing of a watch band in FIG. 2 is for the purpose of illustrating environment and forms no part of the claimed design.

**1 Claim, 2 Drawing Sheets**

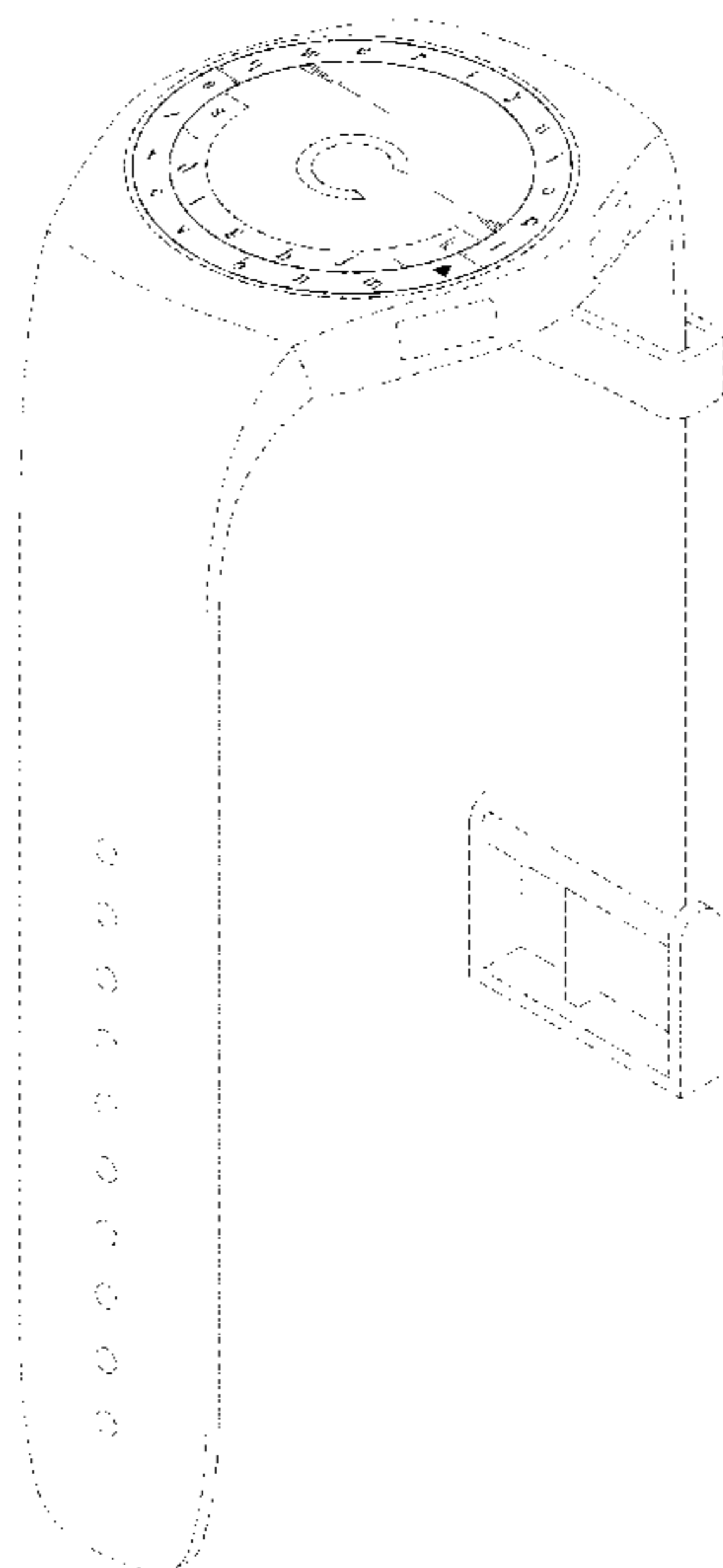
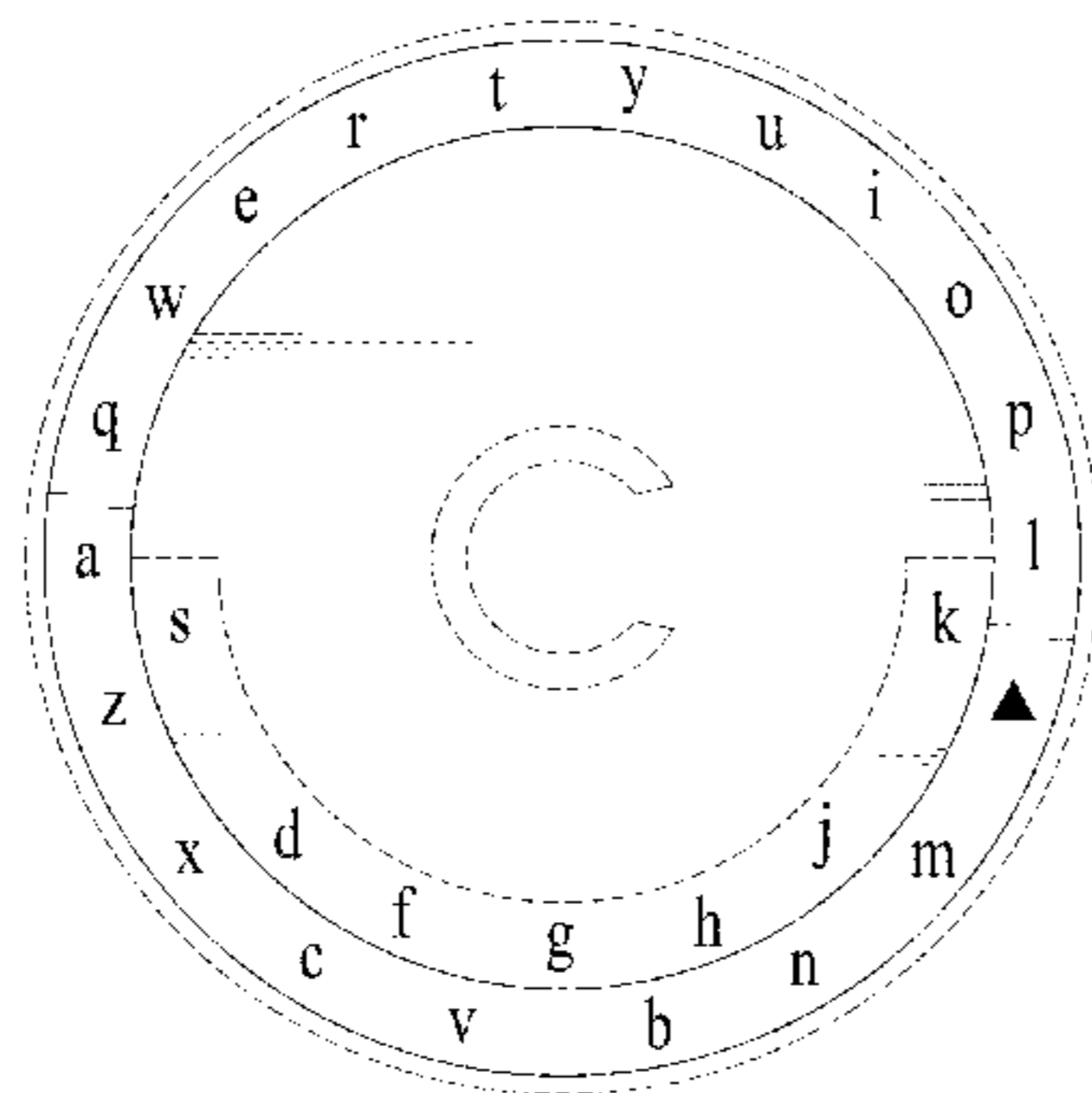




FIG. 2

