



US00D763314S

(12) **United States Design Patent**  
**Sergeev**

(10) **Patent No.:** **US D763,314 S**  
(45) **Date of Patent:** **\*\* Aug. 9, 2016**

- (54) **DISPLAY DEVICE WITH A GRAPHICAL USER INTERFACE SHOWING A VEHICLE NAVIGATOR TRAFFIC LEVEL INDICATOR ELEMENT**
- (71) Applicant: **YANDEX EUROPE AG**, Lucerne (CH)
- (72) Inventor: **Vasily Mikhailovich Sergeev**, Moscow (RU)
- (73) Assignee: **YANDEX EUROPE AG**, Lucerne (CH)
- (\*\*) Term: **14 Years**
- (21) Appl. No.: **29/447,568**
- (22) Filed: **Mar. 5, 2013**
- (51) **LOC (10) Cl.** ..... **14-04**
- (52) **U.S. Cl.**  
USPC ..... **D14/492**
- (58) **Field of Classification Search**  
USPC ..... D14/485-495  
See application file for complete search history.

- (56) **References Cited**  
  
U.S. PATENT DOCUMENTS  
  
D74,116 S \* 12/1927 Marton ..... D10/115  
D81,694 S \* 7/1930 Horni ..... D10/115  
  
(Continued)

*Primary Examiner* — Kevin Rudzinski  
(74) *Attorney, Agent, or Firm* — BCF LLP

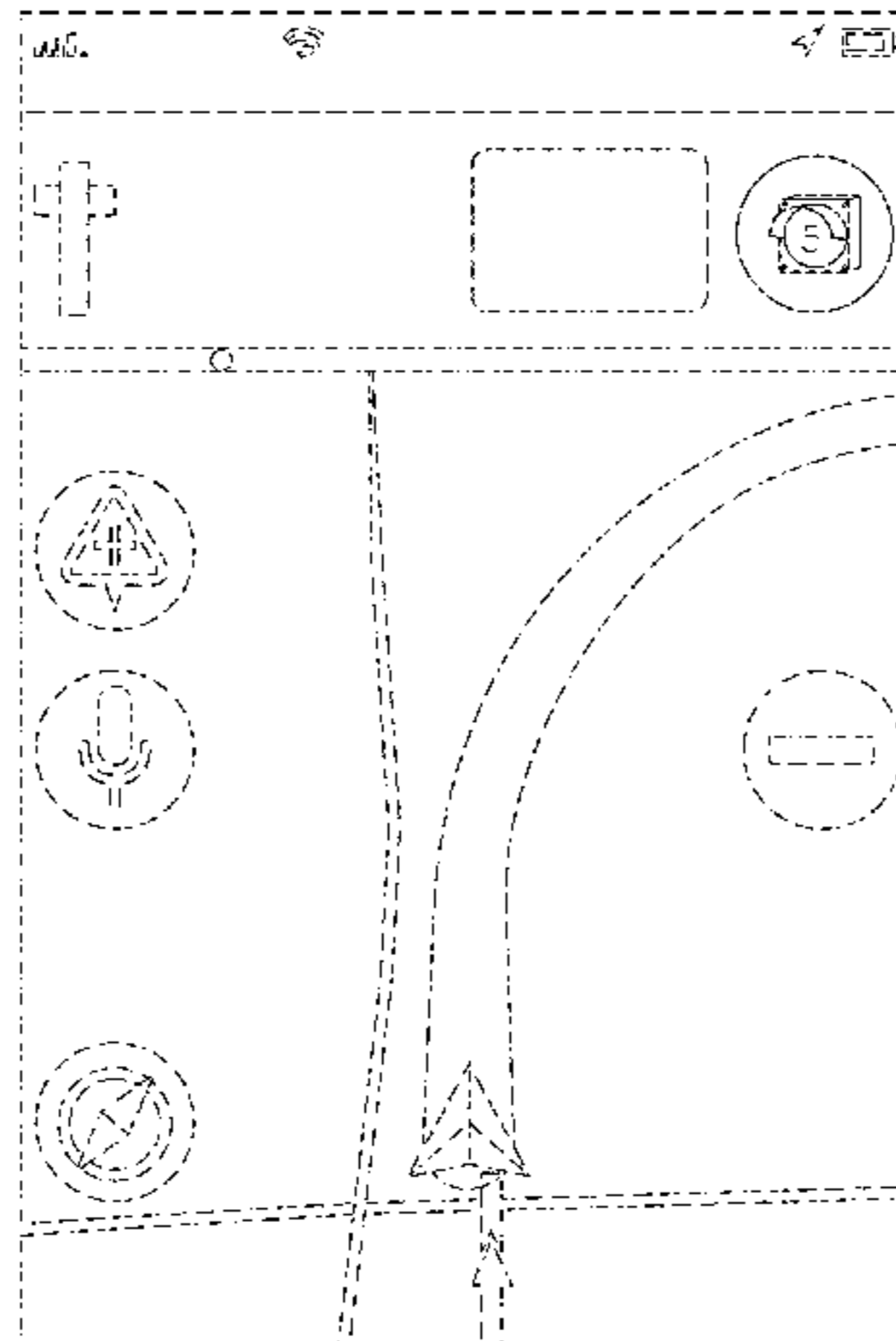
(57) **CLAIM**  
The ornamental design for a display device with a graphical user interface showing a vehicle navigator traffic level indicator element, as shown and described.

**DESCRIPTION**

FIG. 1 is a front view of a 1<sup>st</sup> embodiment of a display device with a graphical user interface according to my design;  
FIG. 2 is a front view of a 2<sup>nd</sup> embodiment of a display device with a graphical user interface according to my design;  
FIG. 3 is a front view of a 3<sup>rd</sup> embodiment of a display device with a graphical user interface according to my design;

FIG. 4 is a front view of a 4<sup>th</sup> embodiment of a display device with a graphical user interface according to my design;  
FIG. 5 is a front view of a 5<sup>th</sup> embodiment of a display device with a graphical user interface according to my design;  
FIG. 6 is a front view of a 6<sup>th</sup> embodiment of a display device with a graphical user interface according to my design;  
FIG. 7 is a front view of a 7<sup>th</sup> embodiment of a display device with a graphical user interface according to my design;  
FIG. 8 is a front view of an 8<sup>th</sup> embodiment of a display device with a graphical user interface according to my design;  
FIG. 9 is a front view of a 9<sup>th</sup> embodiment of a display device with a graphical user interface according to my design;  
FIG. 10 is a front view of a 10<sup>th</sup> embodiment of a display device with a graphical user interface according to my design;  
FIG. 11 is a front view of an 11<sup>th</sup> embodiment of a display device with a graphical user interface according to my design;  
FIG. 12 is a front view of a 12<sup>th</sup> embodiment of a display device with a graphical user interface according to my design;  
FIG. 13 is a front view of a 13<sup>th</sup> embodiment of a display device with a graphical user interface according to my design;  
FIG. 14 is a front view of a 14<sup>th</sup> embodiment of a display device with a graphical user interface according to my design;  
FIG. 15 is a front view of a 15<sup>th</sup> embodiment of a display device with a graphical user interface according to my design;  
FIG. 16 is a front view of a 16<sup>th</sup> embodiment of a display device with a graphical user interface according to my design;  
FIG. 17 is a front view of a 17<sup>th</sup> embodiment of a display device with a graphical user interface according to my design;  
FIG. 18 is a front view of an 18<sup>th</sup> embodiment of a display device with a graphical user interface according to my design;  
FIG. 19 is a front view of a 19<sup>th</sup> embodiment of a display device with a graphical user interface according to my design;  
FIG. 20 is a front view of a 20<sup>th</sup> embodiment of a display device with a graphical user interface according to my design;  
FIG. 21 is a front view of a 21<sup>st</sup> embodiment of a display device with a graphical user interface according to my design;  
and,  
FIG. 22 is a front view of a 22<sup>nd</sup> embodiment of a display device with a graphical user interface according to my design.  
Throughout the Figures, if and where shown, the broken lines illustrating the display device and portions of the graphical user interface form no part of the claimed design. Portions of the display device and user interface not shown in the Figures and not otherwise described in this specification do not form part of the claimed design.

**1 Claim, 22 Drawing Sheets**





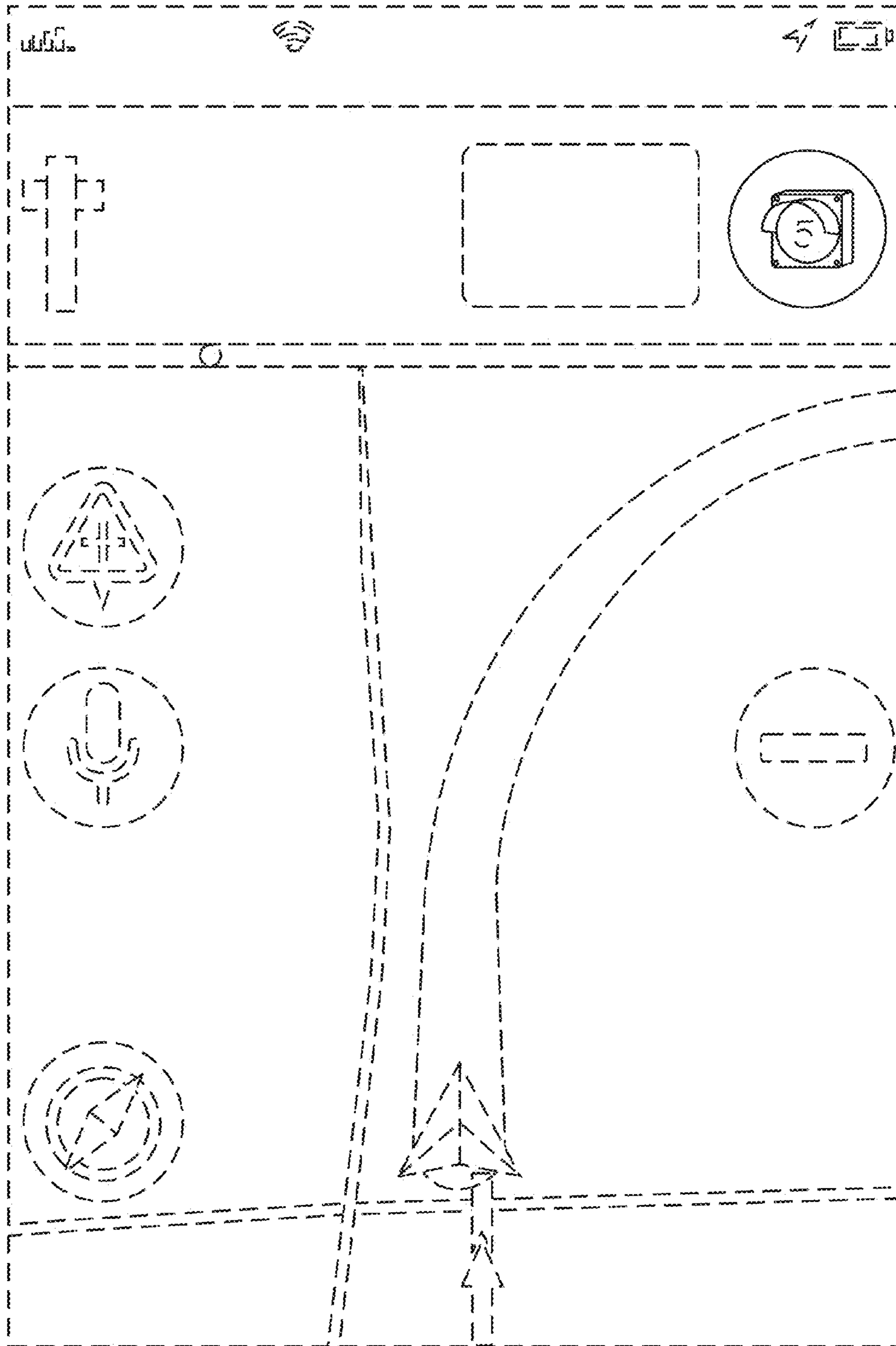
(56)

## References Cited

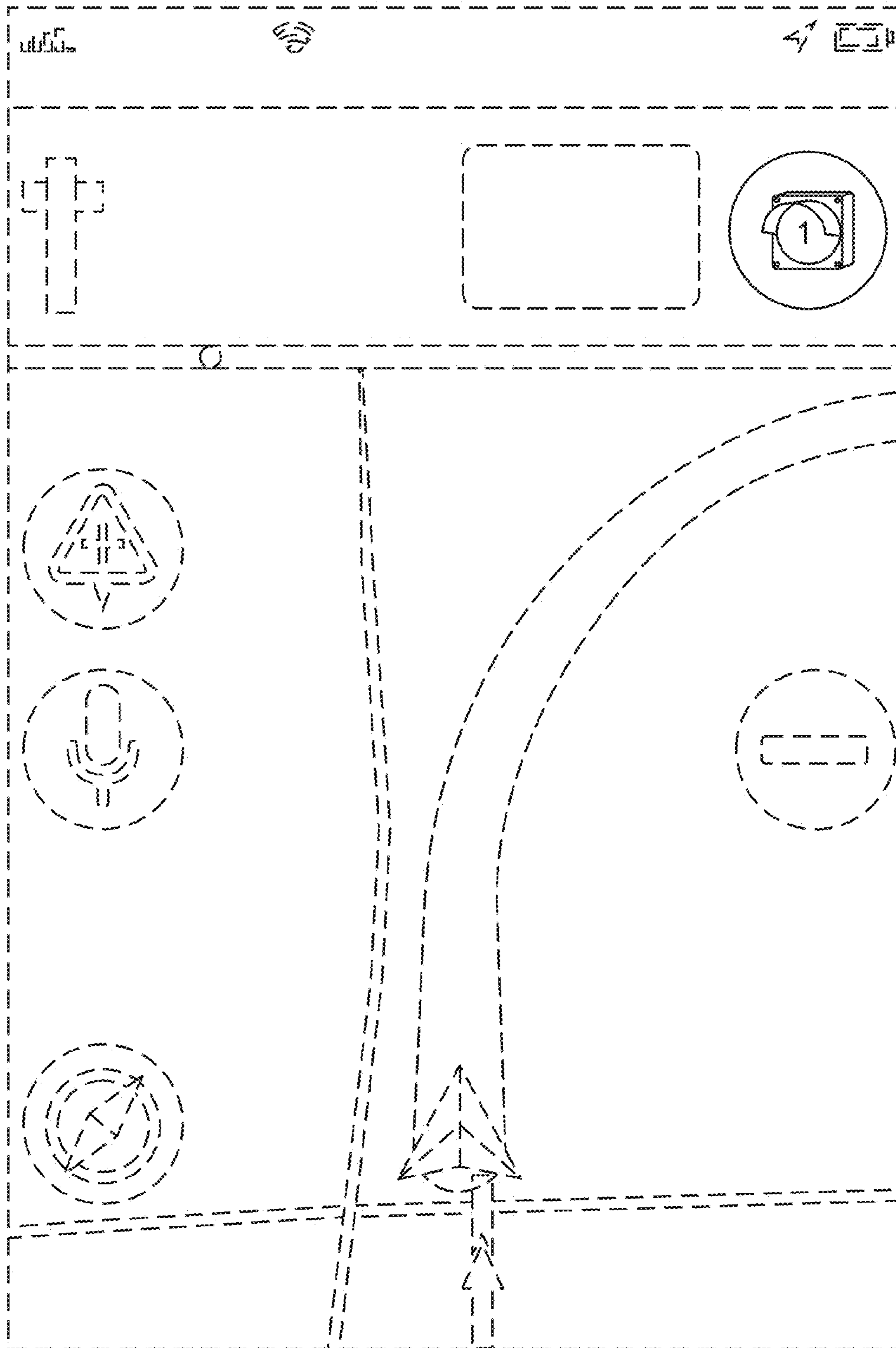
## U.S. PATENT DOCUMENTS

D98,995	S *	3/1936	Bissell	.....	D10/115	7,671,760	B2 *	3/2010	Vallejo, Sr.	.....	340/907
2,254,676	A *	9/1941	Ebert	.....	340/930	D615,546	S *	5/2010	Lundy et al.	.....	D14/485
D150,229	S *	7/1948	Haugard	.....	D10/115	D624,930	S *	10/2010	Agnetta et al.	.....	D14/487
D178,007	S *	6/1956	Pettengill	.....	D10/115	D630,642	S *	1/2011	Berg et al.	.....	D14/486
3,049,614	A *	8/1962	Eikenberry	.....	362/267	D651,613	S *	1/2012	Ouilhet	.....	D14/491
3,200,218	A *	8/1965	Wagner	.....	340/929	D656,950	S *	4/2012	Shallcross et al.	.....	D14/488
3,234,506	A *	2/1966	Hines	.....	340/929	D664,978	S *	8/2012	Tanghe et al.	.....	D14/487
3,320,585	A *	5/1967	Hines	.....	340/929	D667,451	S *	9/2012	Wujcik et al.	.....	D14/492
D213,925	S *	4/1969	Cheslock	.....	D10/115	D667,457	S *	9/2012	Wujcik et al.	.....	D14/492
D215,508	S *	10/1969	Albrecht	.....	D10/115	D671,026	S *	11/2012	Thurau	.....	D10/126
3,480,909	A *	11/1969	Hines	.....	340/929	D672,256	S *	12/2012	Behar	.....	D10/39
3,574,992	A *	4/1971	Ladas	.....	368/82	D676,060	S *	2/2013	Frost et al.	.....	D14/490
3,618,005	A *	11/1971	Jensen	.....	340/930	8,405,504	B2 *	3/2013	Gold	.....	340/539.2
D228,368	S *	9/1973	Slavsky	.....	D10/115	D687,056	S *	7/2013	Matas et al.	.....	D14/488
D295,634	S *	5/1988	Wells-Papanek et al.	...	D14/490	D687,067	S *	7/2013	Jang et al.	.....	D14/492
4,827,258	A *	5/1989	Evans	.....	340/929	8,479,120	B2 *	7/2013	Nezu	.....	715/841
4,845,689	A *	7/1989	Vole	.....	368/82	D688,703	S *	8/2013	Phelan	.....	D14/492
D315,696	S *	3/1991	Kearns	.....	D10/115	8,542,192	B2 *	9/2013	Onda et al.	.....	345/168
5,325,340	A *	6/1994	Ramsey	.....	368/3	D691,171	S *	10/2013	Brinda et al.	.....	D14/488
5,504,481	A *	4/1996	Wys	.....	340/931	D691,629	S *	10/2013	Matas et al.	.....	D14/488
5,563,588	A *	10/1996	Belfer	.....	340/907	8,547,801	B2 *	10/2013	Zorn et al.	.....	368/109
D392,632	S *	3/1998	Spiegel	.....	D14/490	8,595,649	B2 *	11/2013	Sherrard et al.	.....	715/834
5,726,648	A *	3/1998	Soon	.....	340/929	D694,770	S *	12/2013	Edwards et al.	.....	D14/485
D395,045	S *	6/1998	Rafuse	.....	D14/490	D697,930	S *	1/2014	Crabtree et al.	.....	D14/486
5,898,381	A *	4/1999	Gartner et al.	.....	340/815.65	D699,248	S *	2/2014	Pearson et al.	.....	D14/485
6,054,932	A *	4/2000	Gartner et al.	.....	340/815.65	D699,249	S *	2/2014	Fujii et al.	.....	D14/486
D428,397	S *	7/2000	Palalau et al.	.....	D14/486	D699,250	S *	2/2014	Fujii et al.	.....	D14/486
6,087,962	A *	7/2000	Rojas	.....	340/907	D699,259	S *	2/2014	Funabashi et al.	.....	D14/487
D437,788	S *	2/2001	Palmos	.....	D10/6	8,659,445	B2 *	2/2014	Townsend, Jr.	.....	340/907
6,268,805	B1 *	7/2001	Simon	.....	340/907	D709,094	S *	7/2014	Jogano	.....	D14/490
D459,730	S *	7/2002	Lee	.....	D14/490	D709,914	S *	7/2014	Berdan et al.	.....	D14/491
6,522,263	B2 *	2/2003	Jones	.....	340/915	D710,370	S *	8/2014	Inose et al.	.....	D14/486
D478,010	S *	8/2003	Chen	.....	D10/2	D710,878	S *	8/2014	Jung	.....	D14/488
D478,607	S *	8/2003	Nakaigawa et al.	.....	D16/219	D711,415	S *	8/2014	Simister et al.	.....	D14/486
D494,186	S *	8/2004	Johnson	.....	D14/485	8,797,183	B2 *	8/2014	Burton et al.	.....	340/907
D499,127	S *	11/2004	Nakaigawa et al.	.....	D16/218	D715,830	S *	10/2014	Aoshima	.....	D14/488
D524,674	S *	7/2006	Masters	.....	D10/122	D717,811	S *	11/2014	Allredge et al.	.....	D14/485
7,159,191	B2 *	1/2007	Koivuniemi	.....	715/827	8,880,336	B2 *	11/2014	van Os et al.	.....	701/412
7,363,591	B2 *	4/2008	Goldthwaite et al.	.....	715/763	8,892,342	B2 *	11/2014	Yamada et al.	.....	701/117
D586,683	S *	2/2009	Pitton	.....	D10/126	8,933,798	B2 *	1/2015	Ellis	.....	340/439
7,487,467	B1 *	2/2009	Kawahara et al.	.....	715/810	D724,958	S *	3/2015	Daniels	.....	D10/22
D589,792	S *	4/2009	Clabough et al.	.....	D9/434	D725,135	S *	3/2015	Wolfram	.....	D14/486
RE40,737	E *	6/2009	Firestone	.....	340/929	D725,674	S *	3/2015	Jung et al.	.....	D14/490
D596,064	S *	7/2009	Marzette et al.	.....	D10/115	D726,198	S *	4/2015	Kim et al.	.....	D14/485
D597,101	S *	7/2009	Chaudhri et al.	.....	D14/488	D727,354	S *	4/2015	Park et al.	.....	D14/490
D602,945	S *	10/2009	Watanabe et al.	.....	D14/489	2003/0112262	A1 *	6/2003	Adatia et al.	.....	345/716
D609,244	S *	2/2010	Seo	.....	D14/488	2004/0046713	A1 *	3/2004	Tanaka et al.	.....	345/33
						2004/0250278	A1 *	12/2004	Imai et al.	.....	725/40

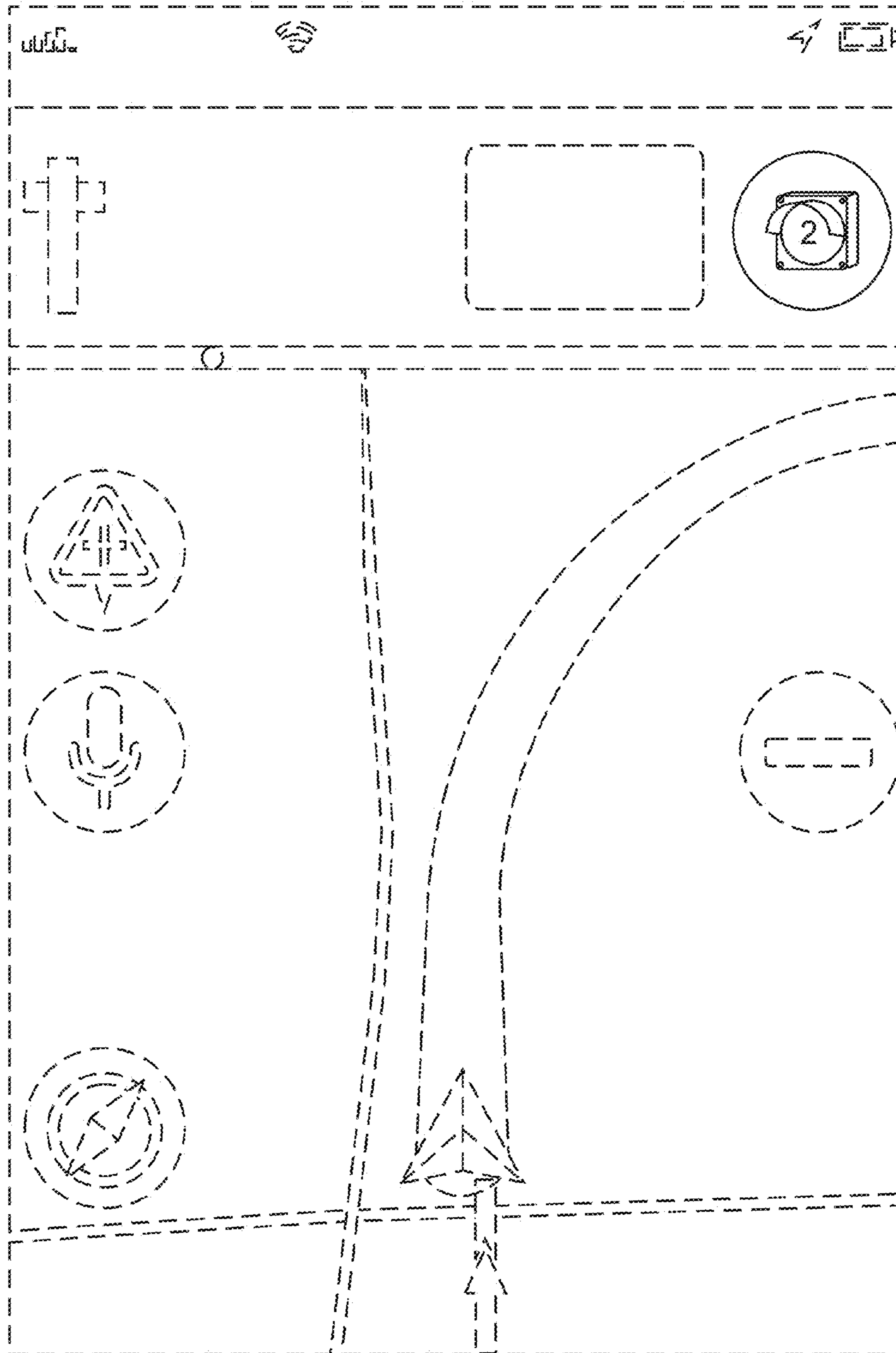
\* cited by examiner



**FIG. 1**

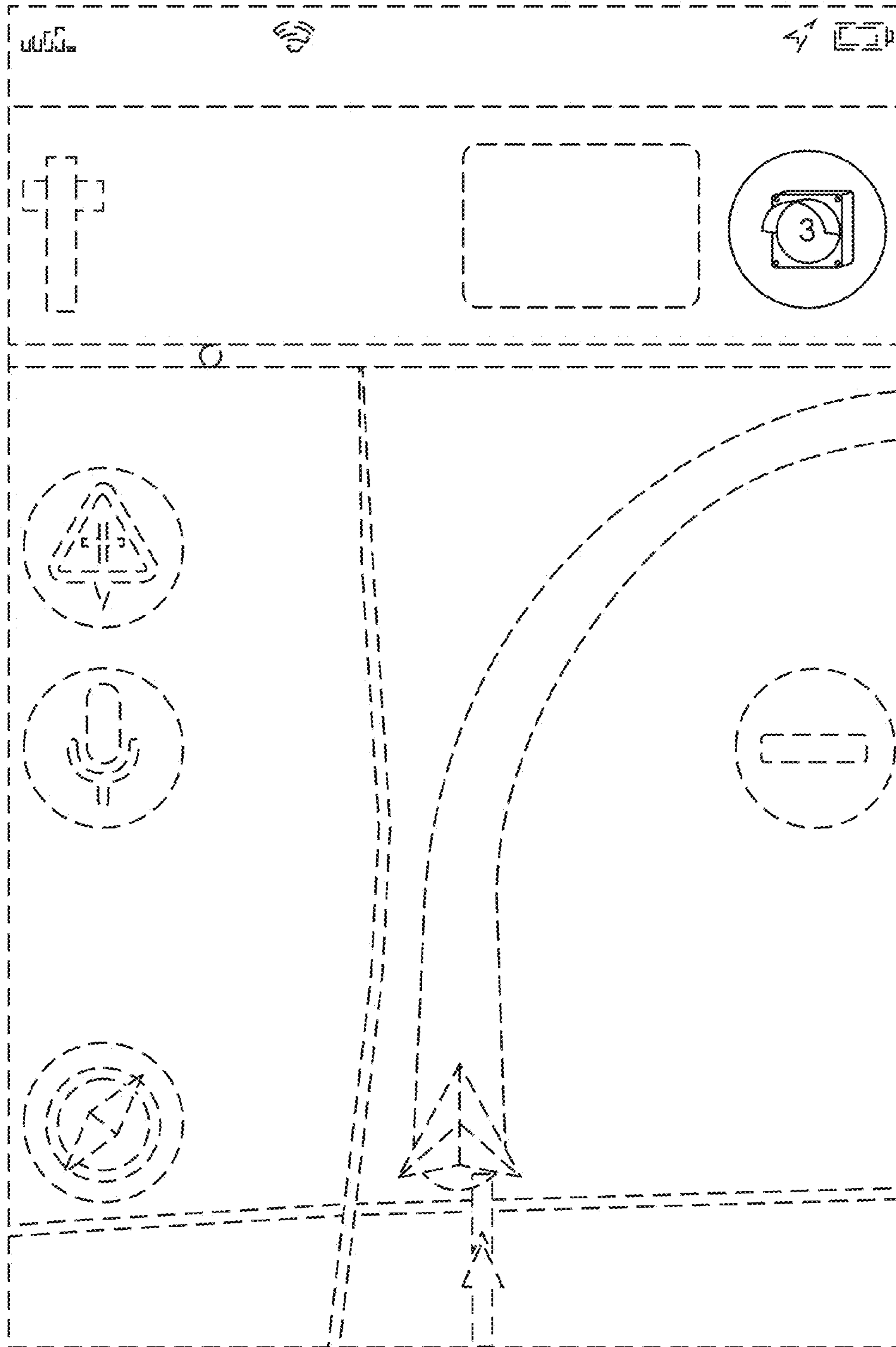


**FIG. 2**

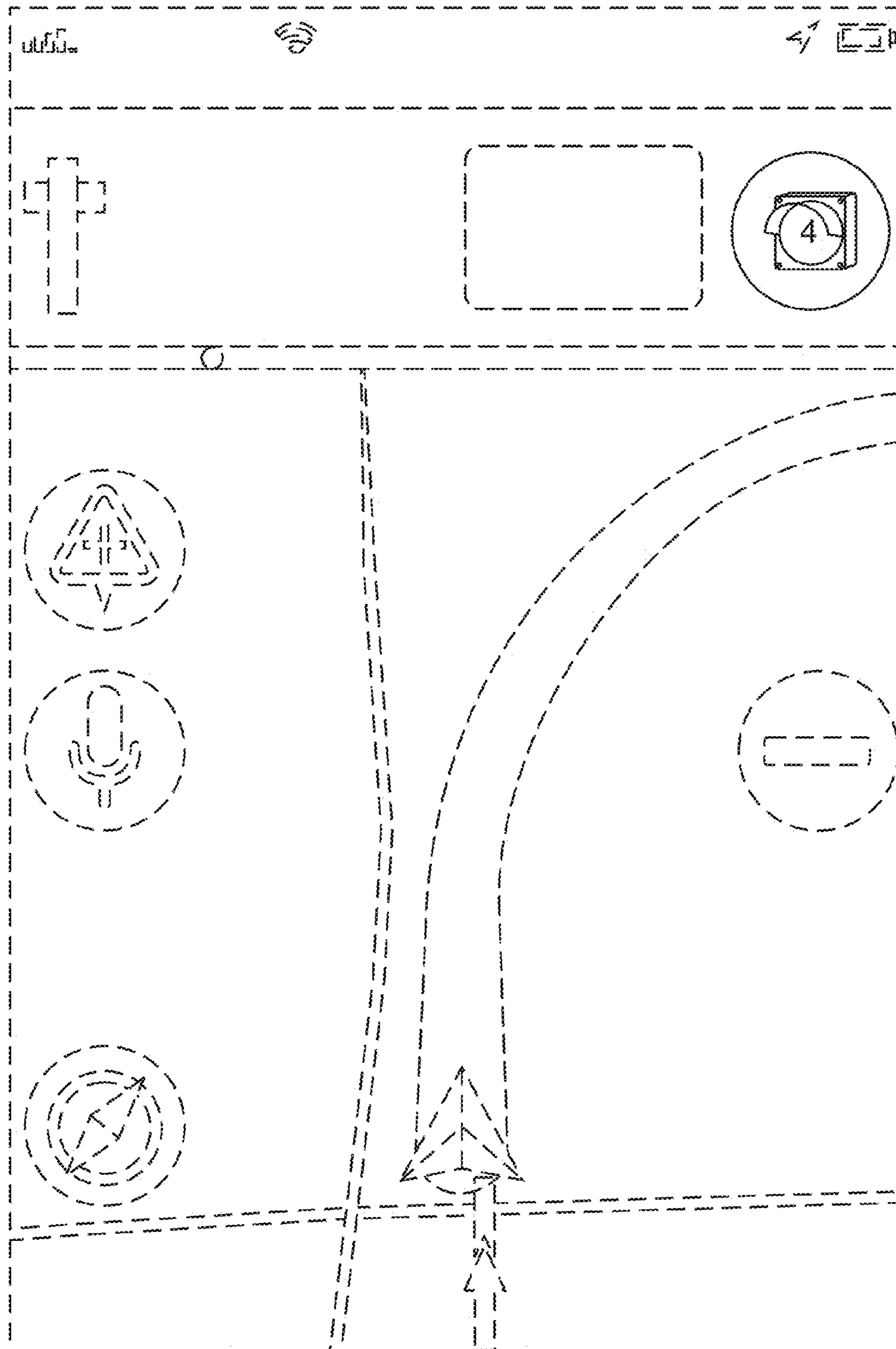


**FIG. 3**

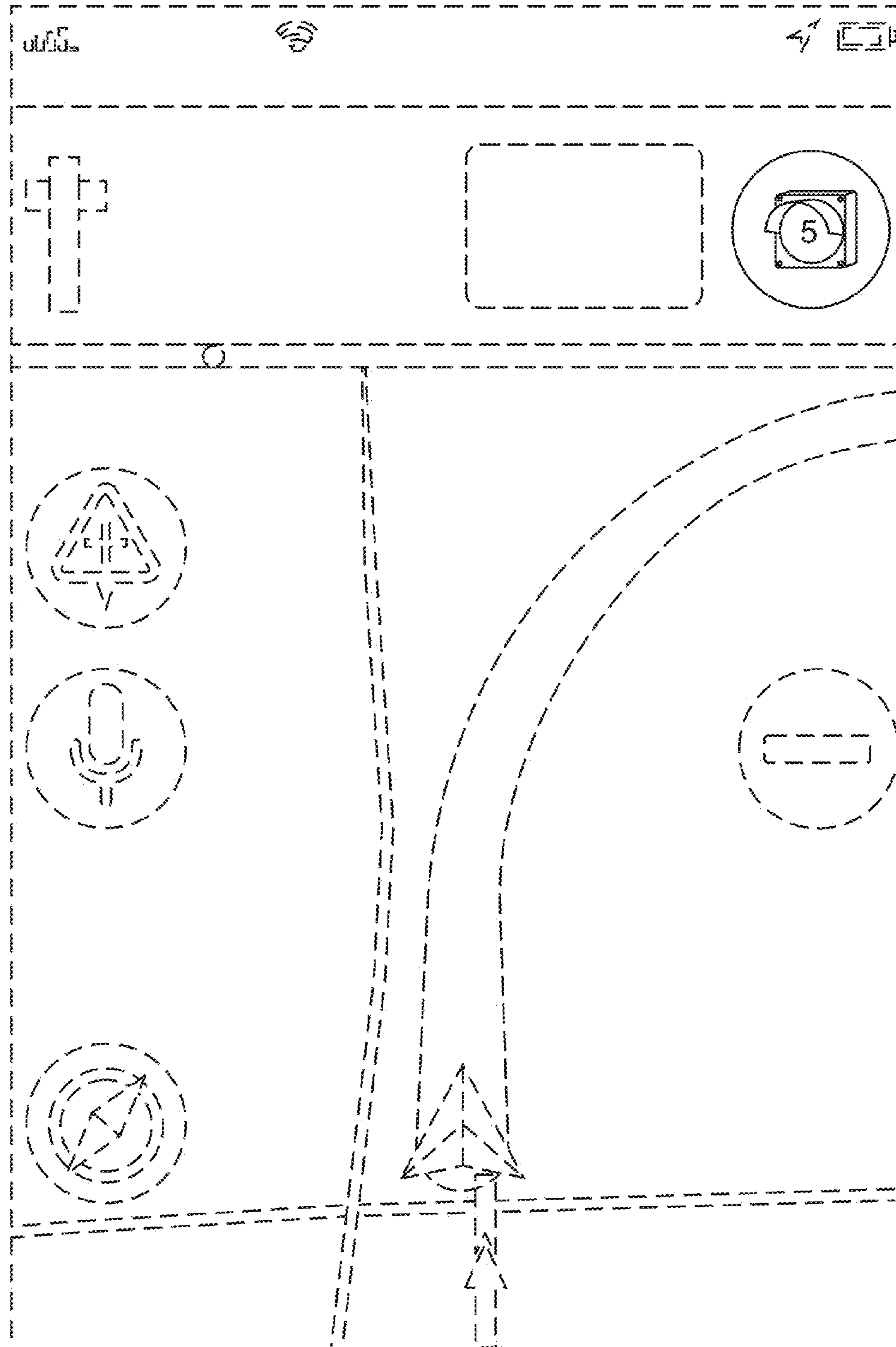




**FIG. 4**

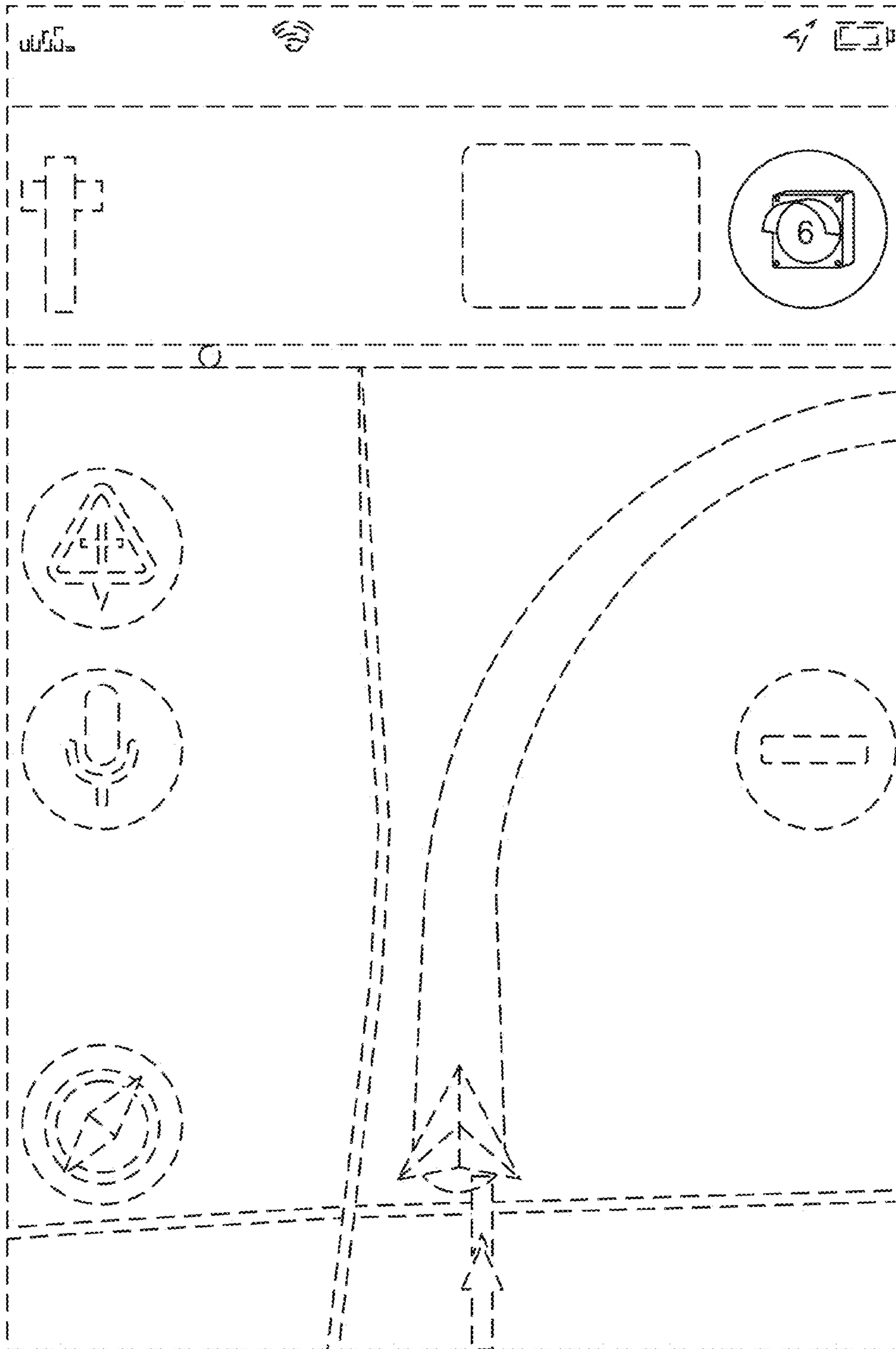


**FIG. 5**

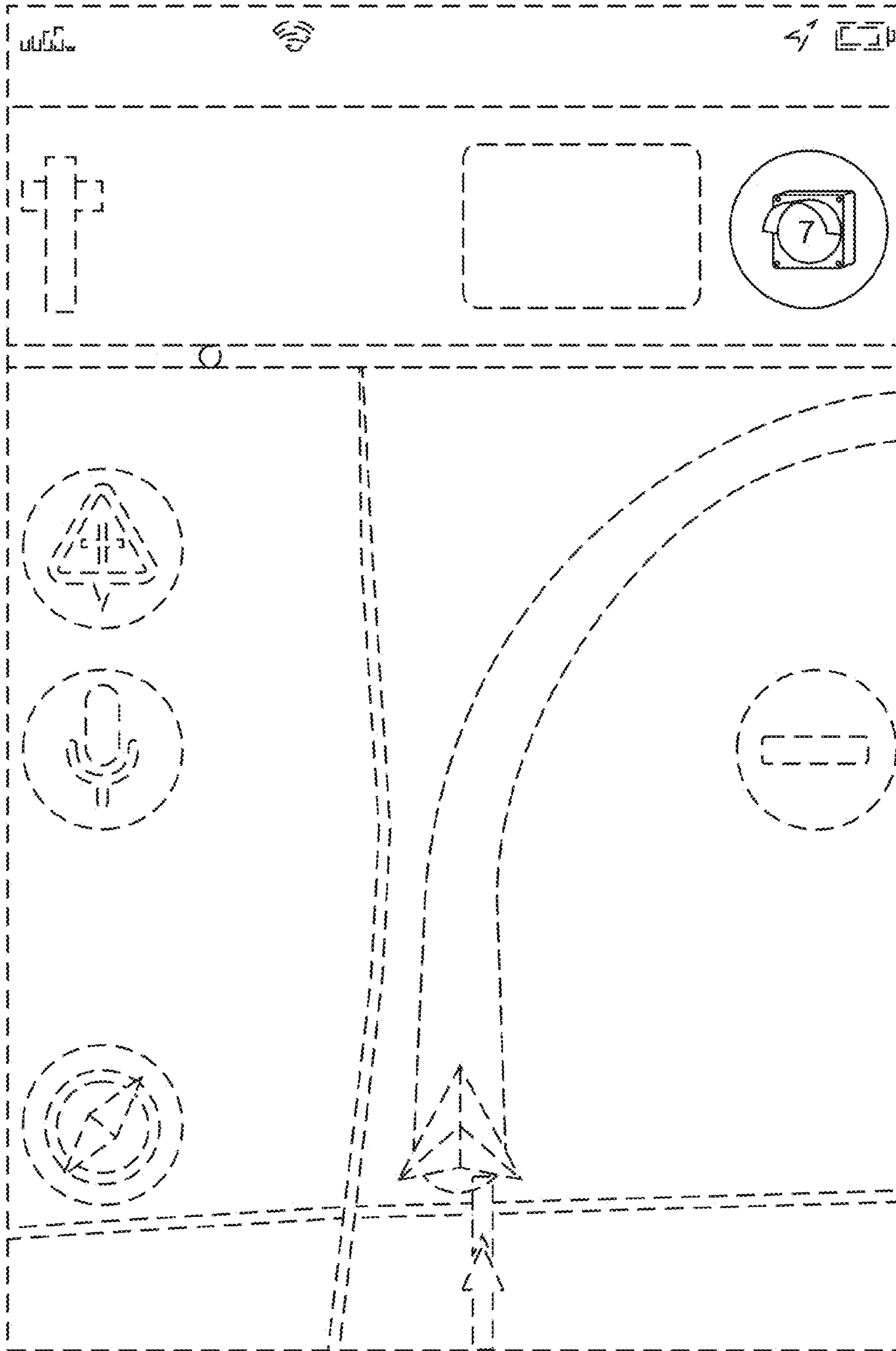


**FIG. 6**

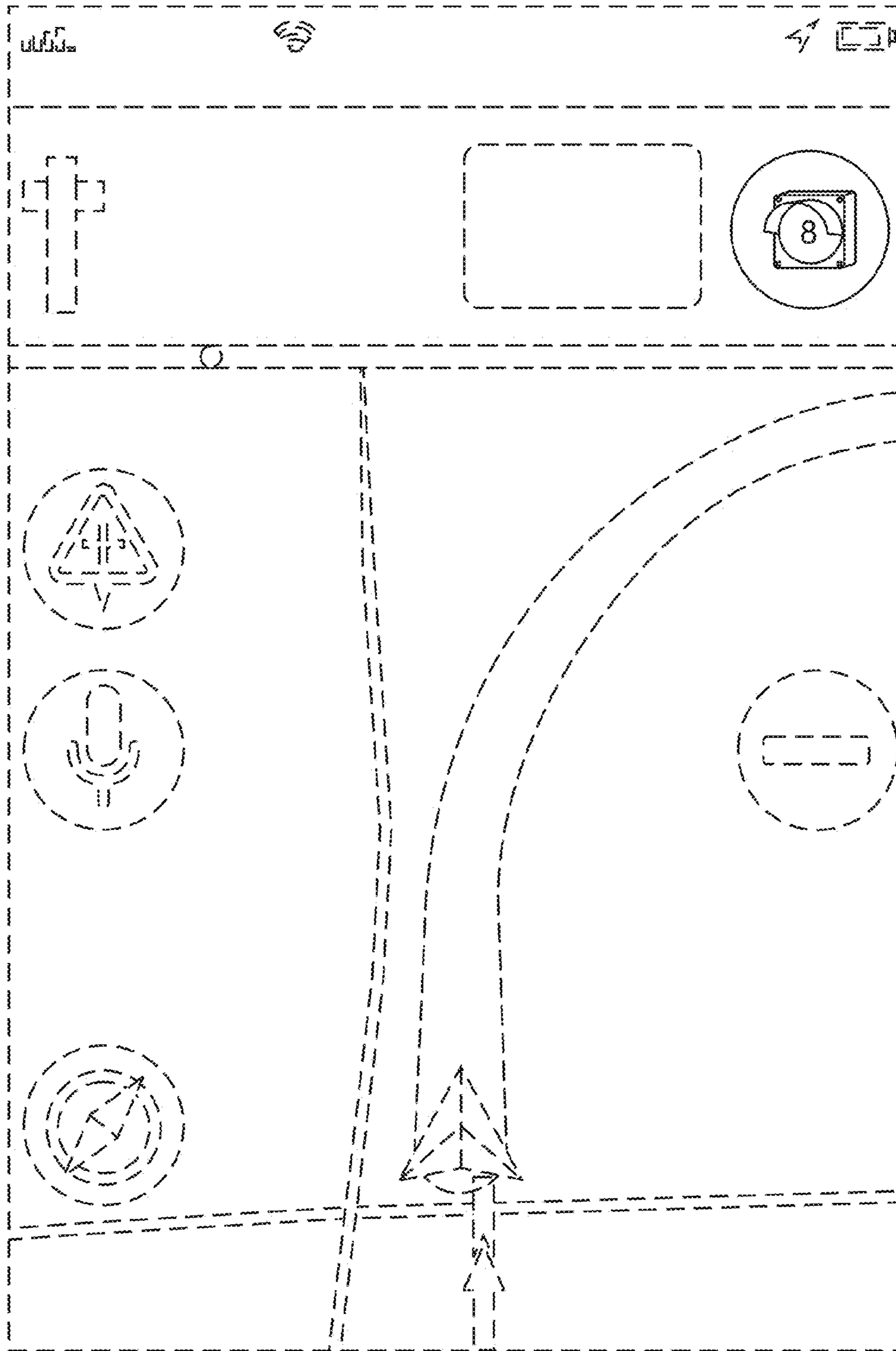




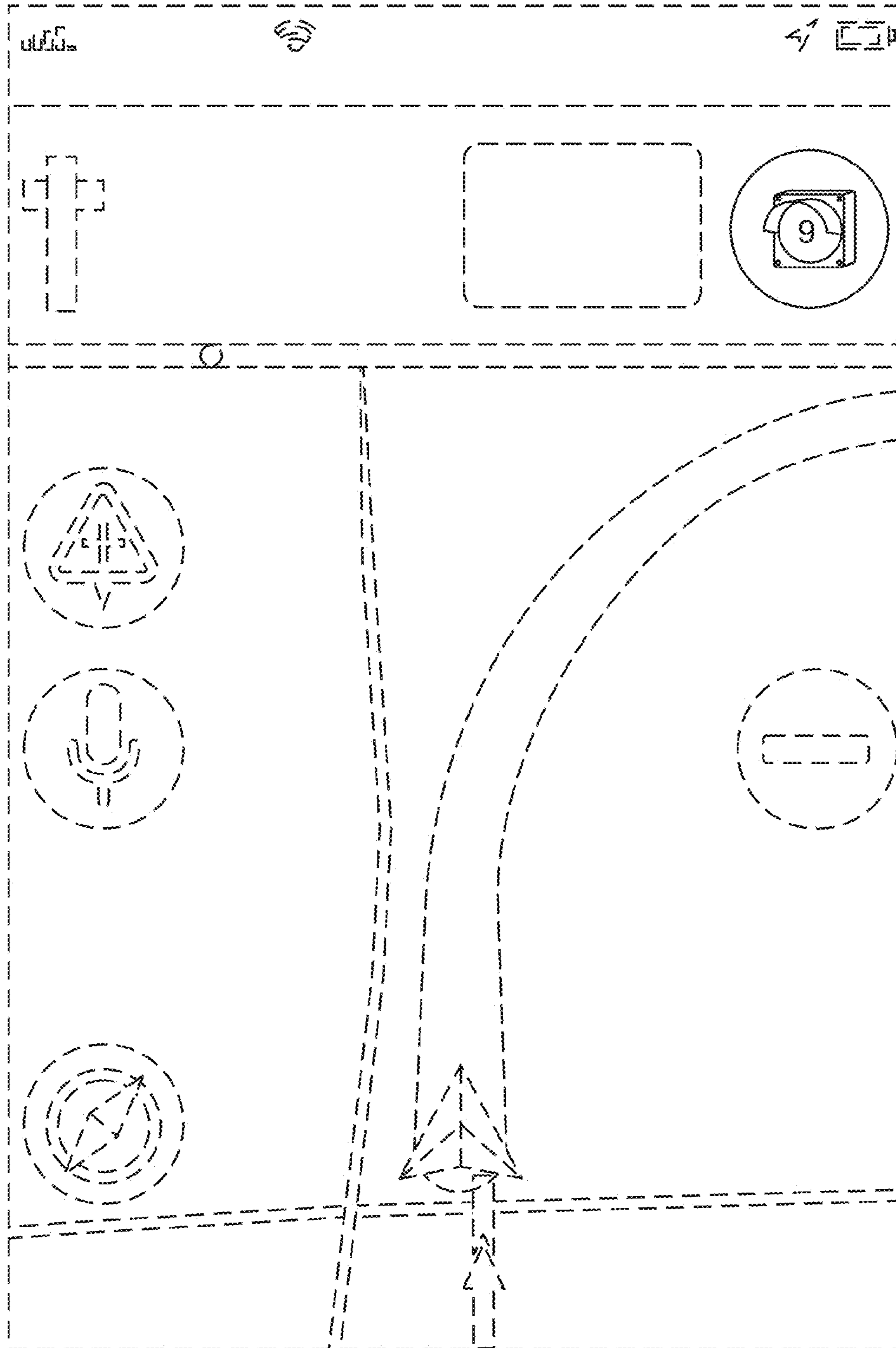
**FIG. 7**



**FIG. 8**

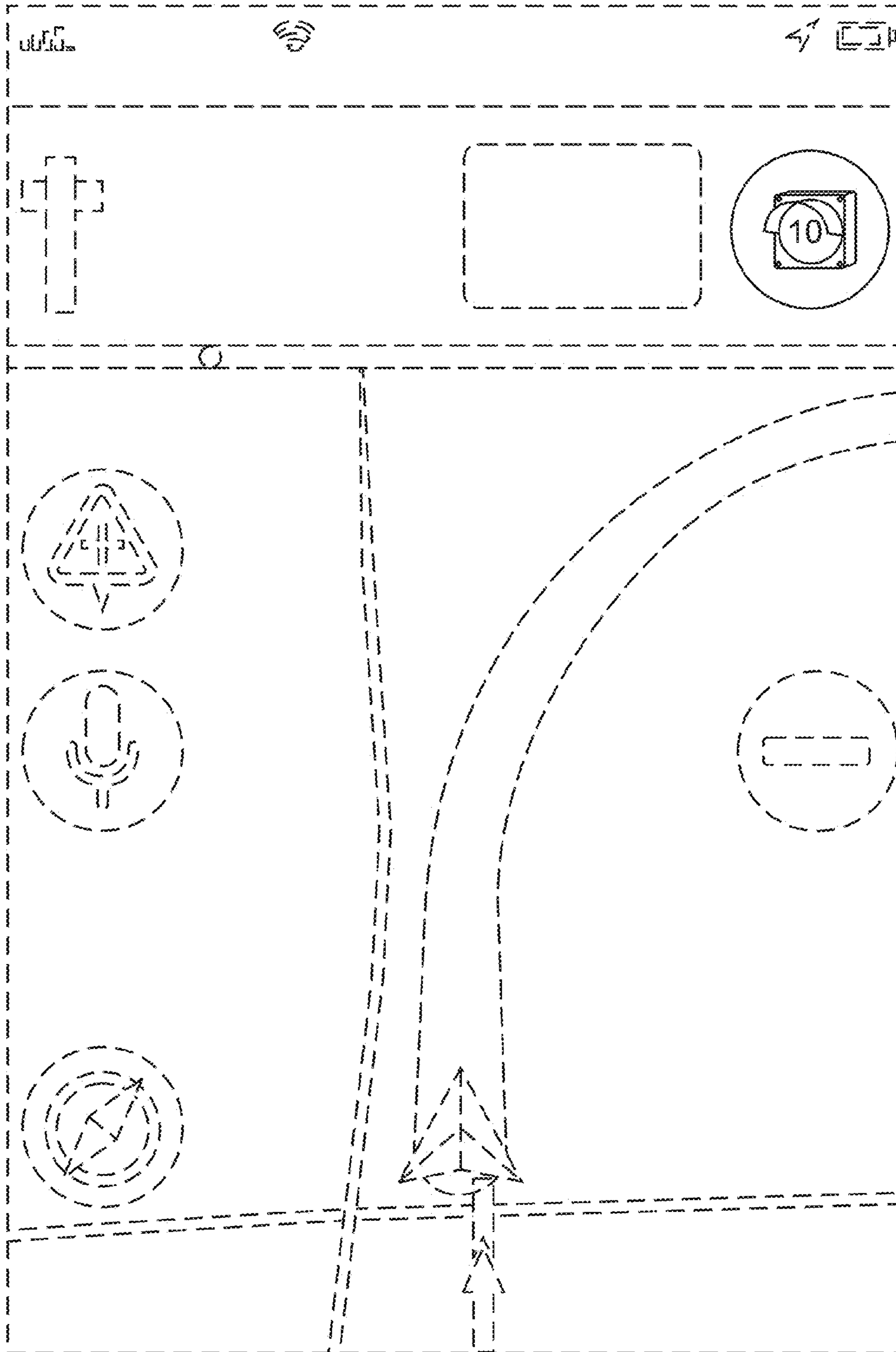


**FIG. 9**

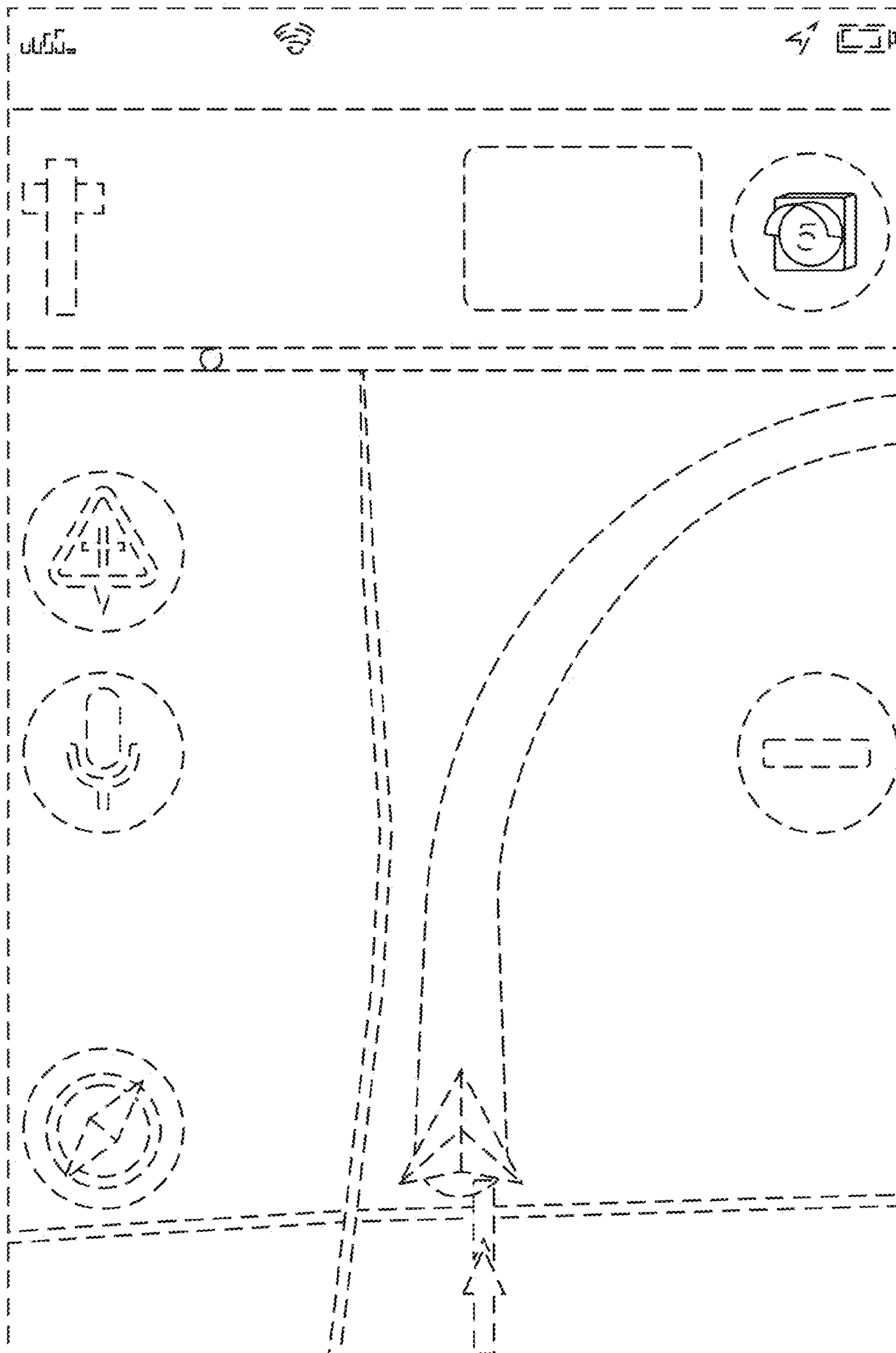


**FIG. 10**

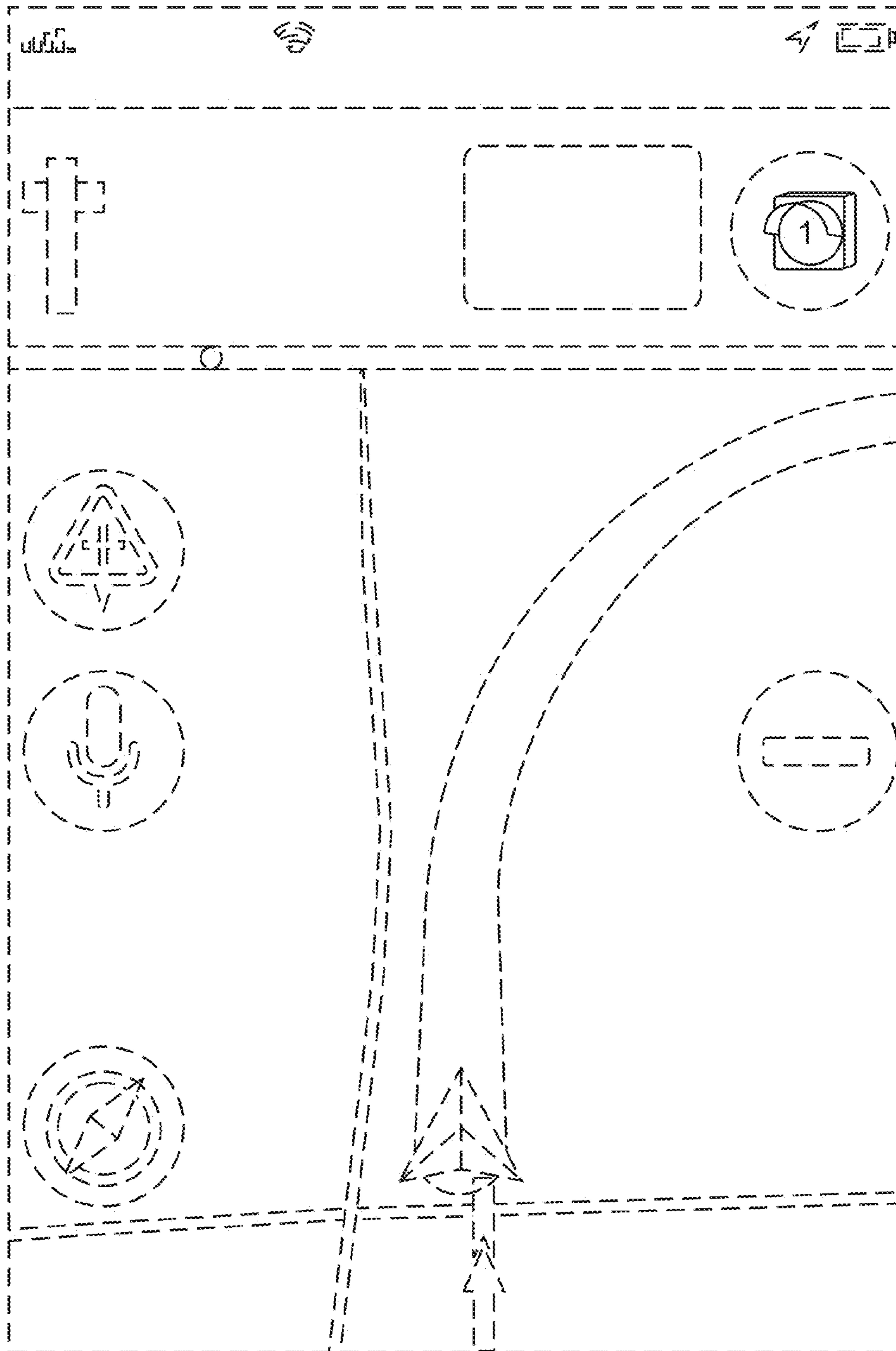




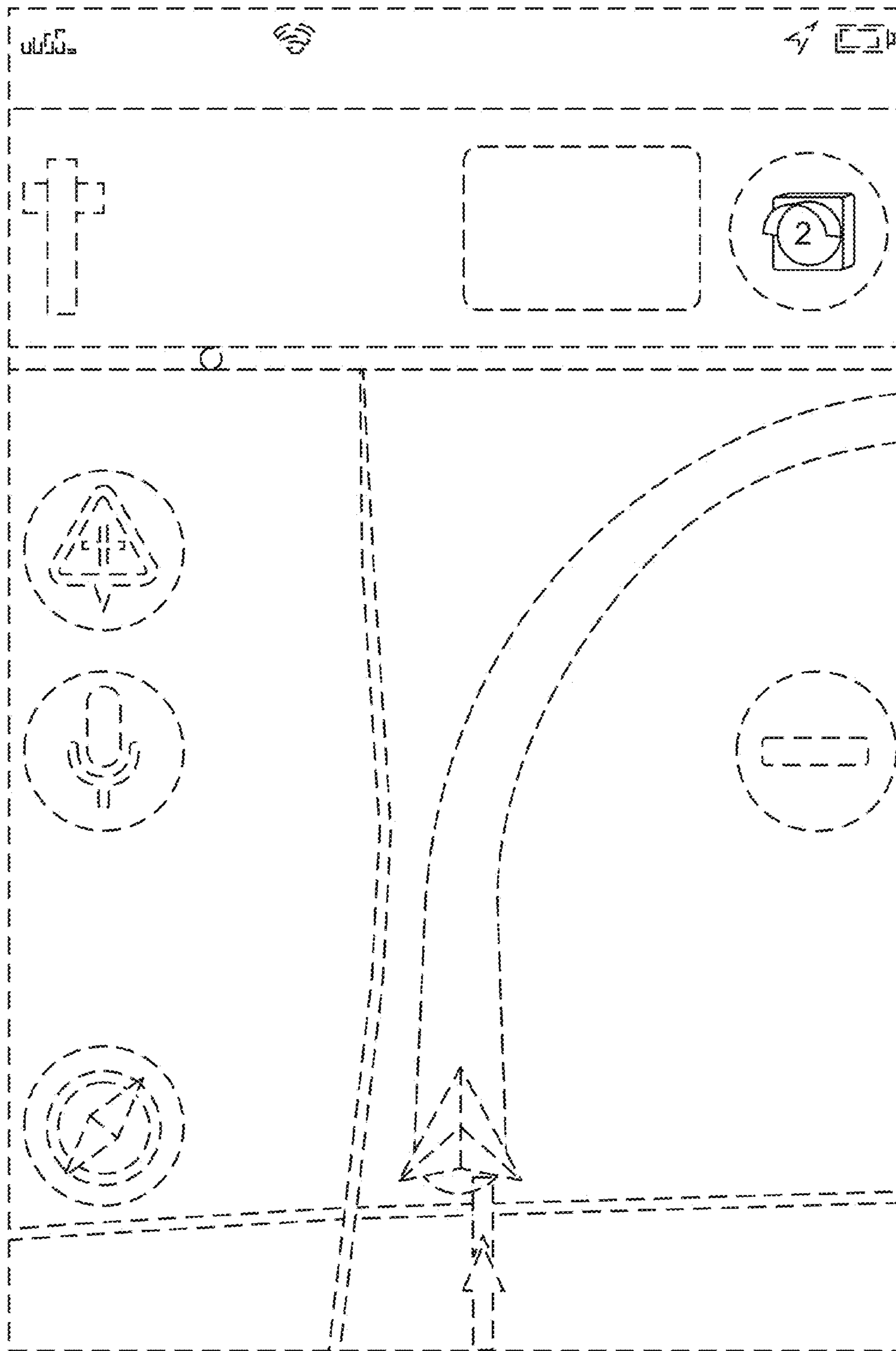
**FIG. 11**



**FIG. 12**

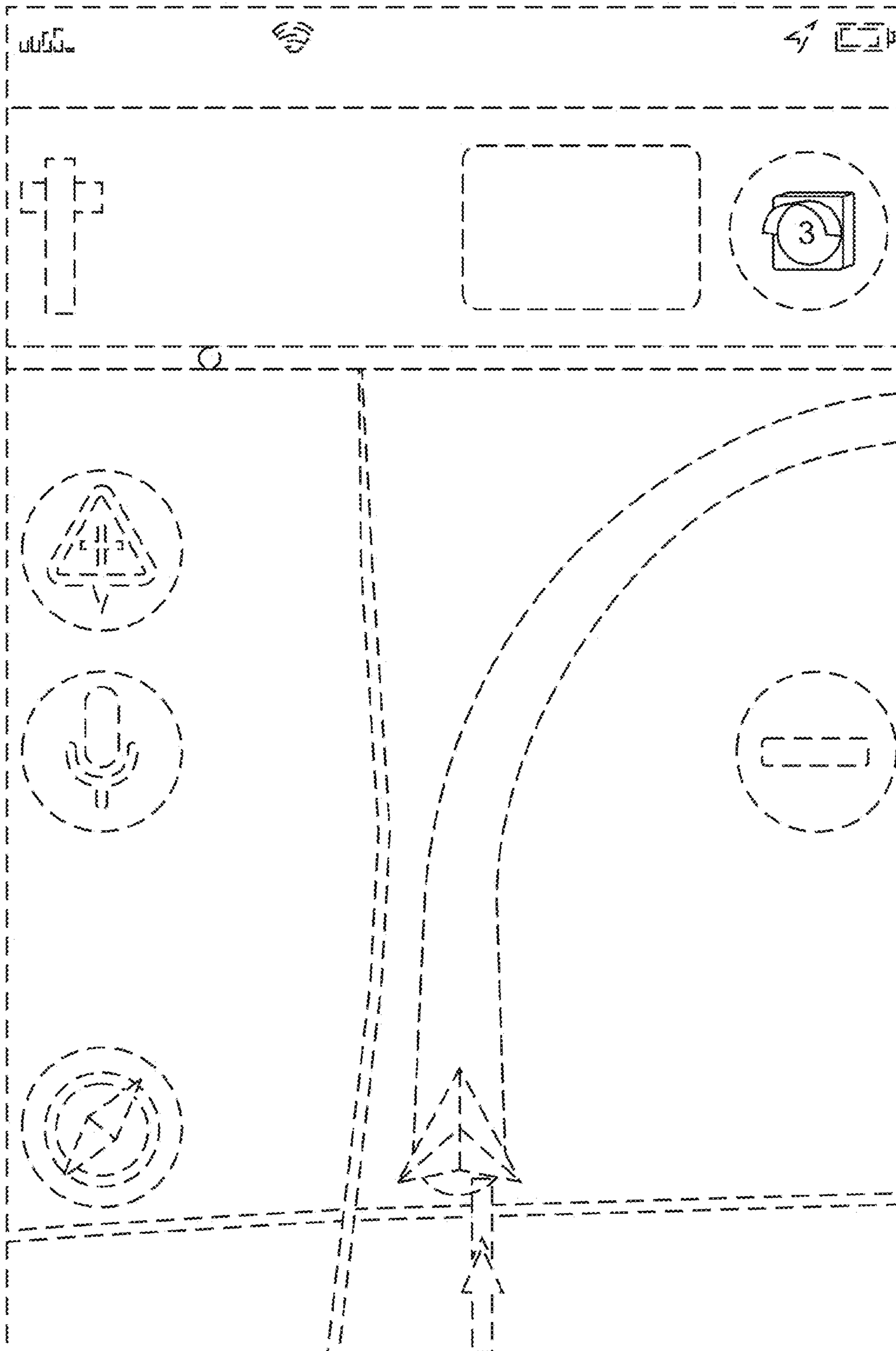


**FIG. 13**

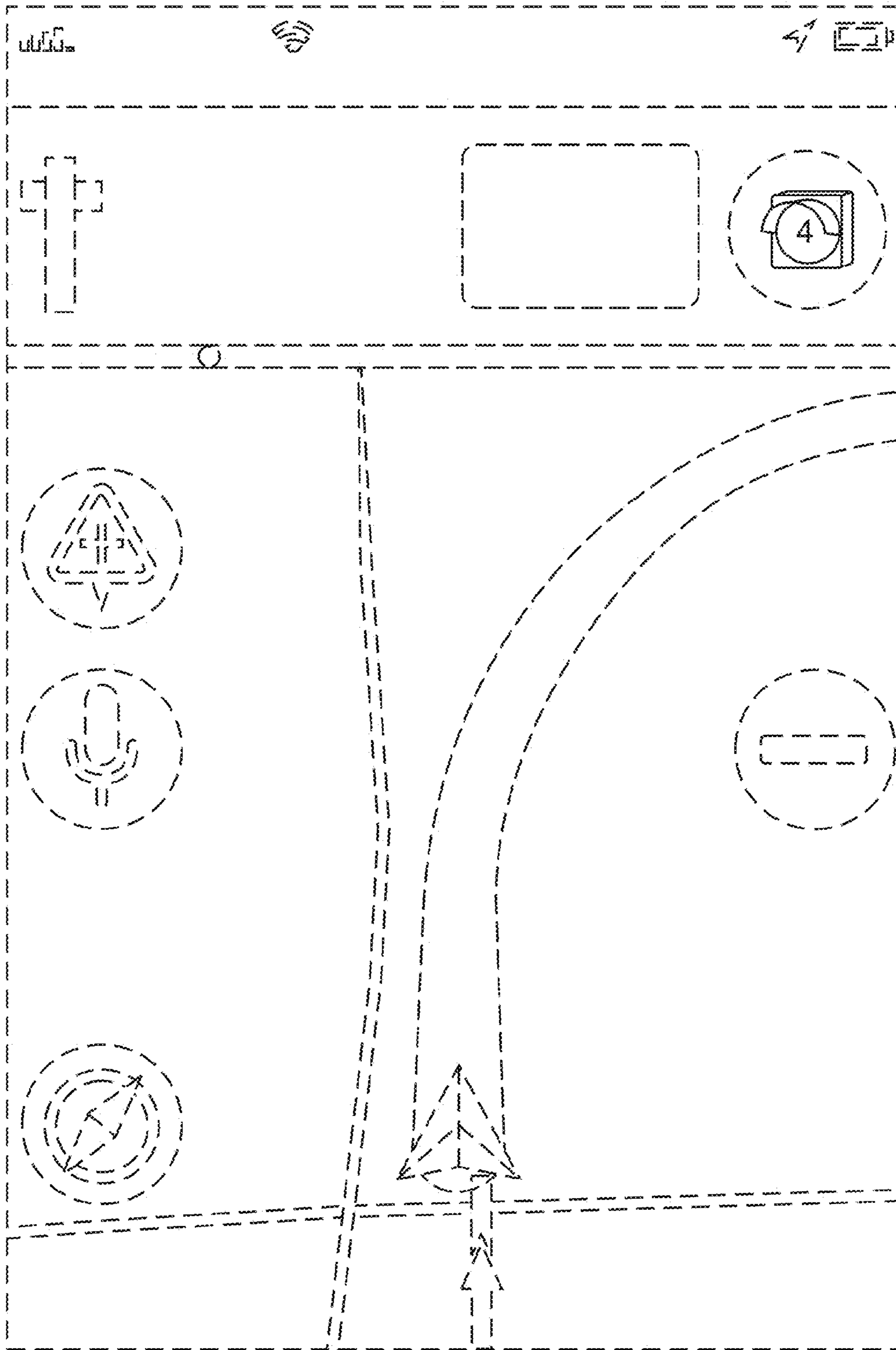


**FIG. 14**

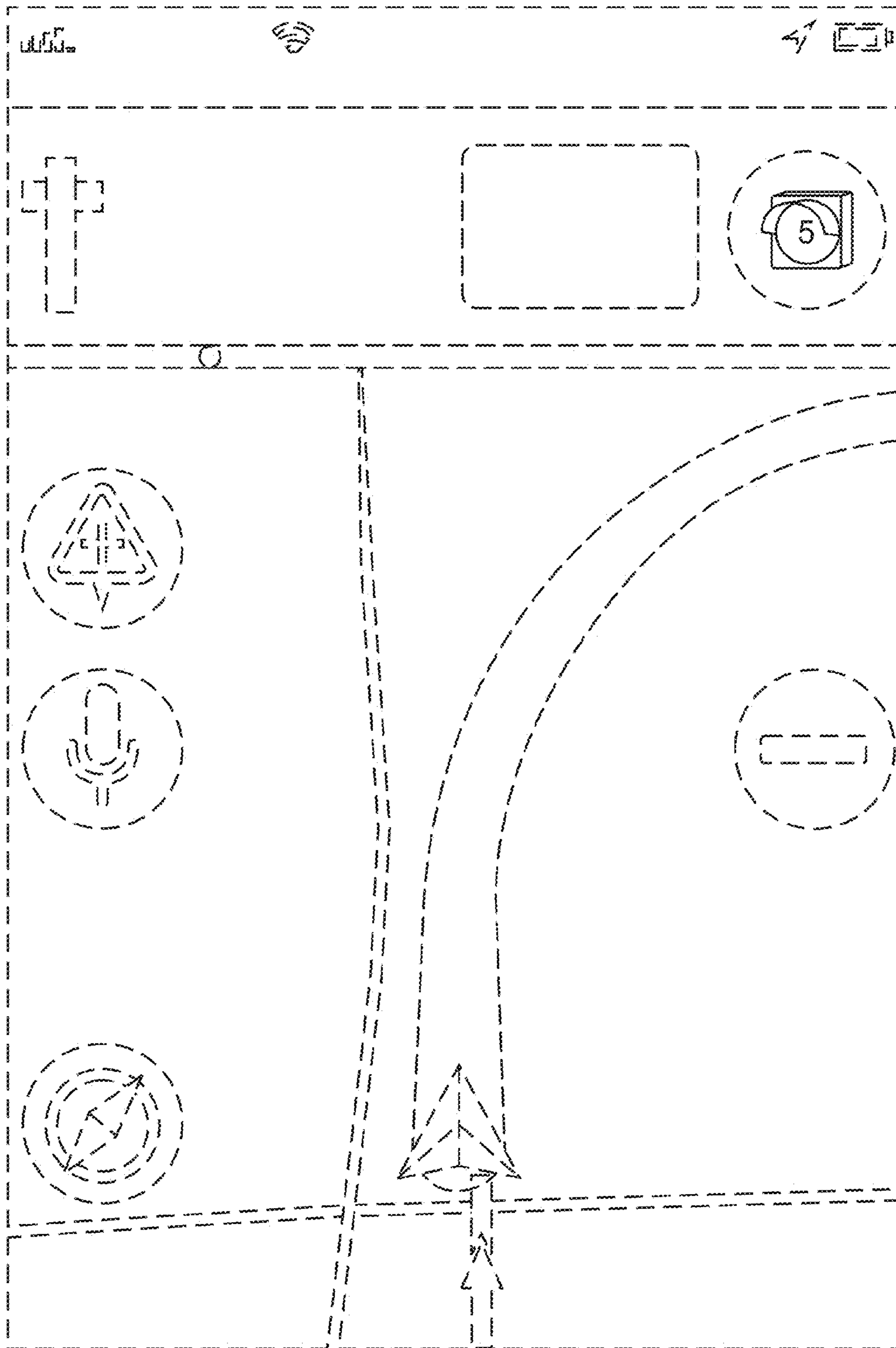




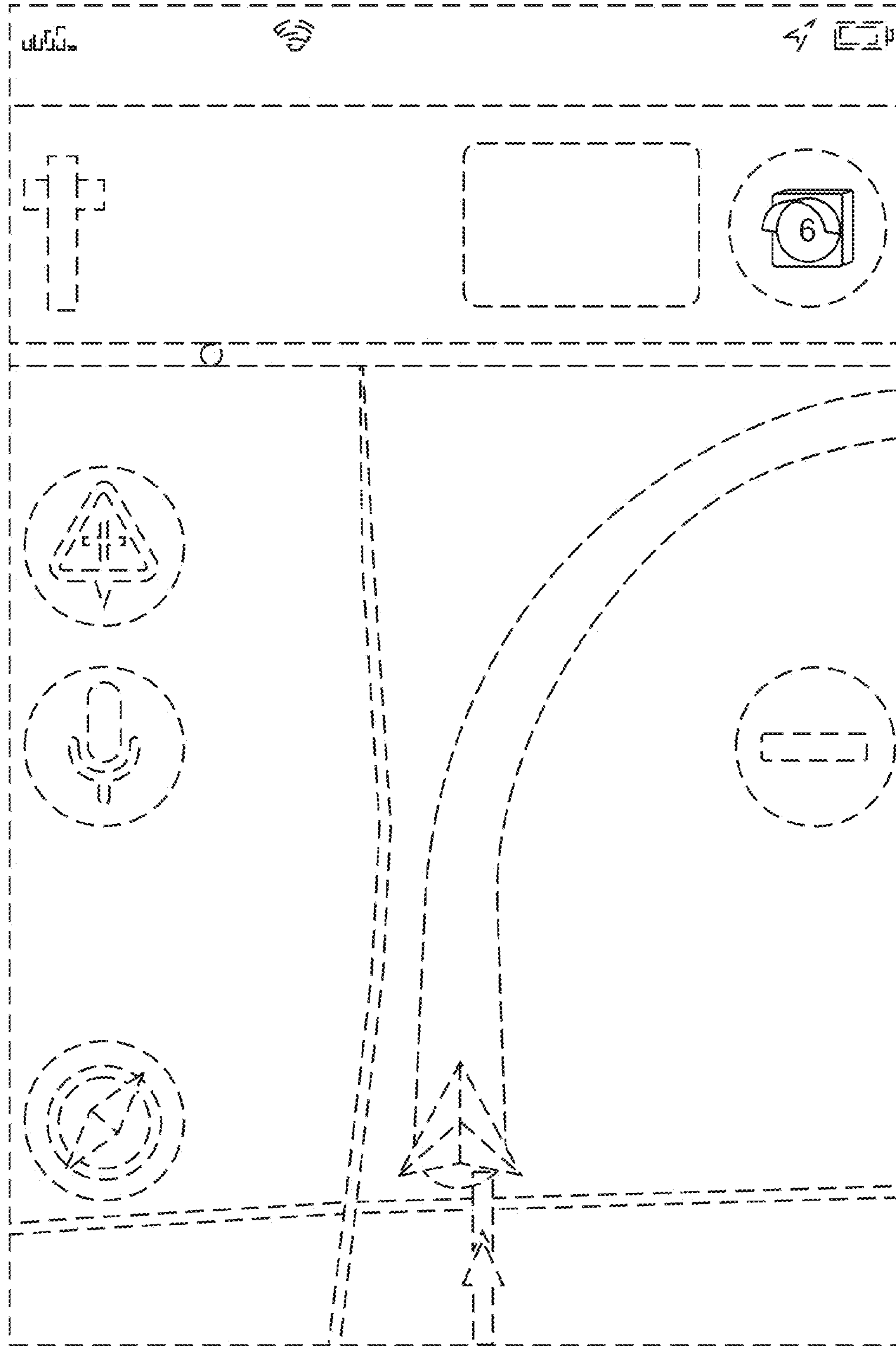
**FIG. 15**



**FIG. 16**

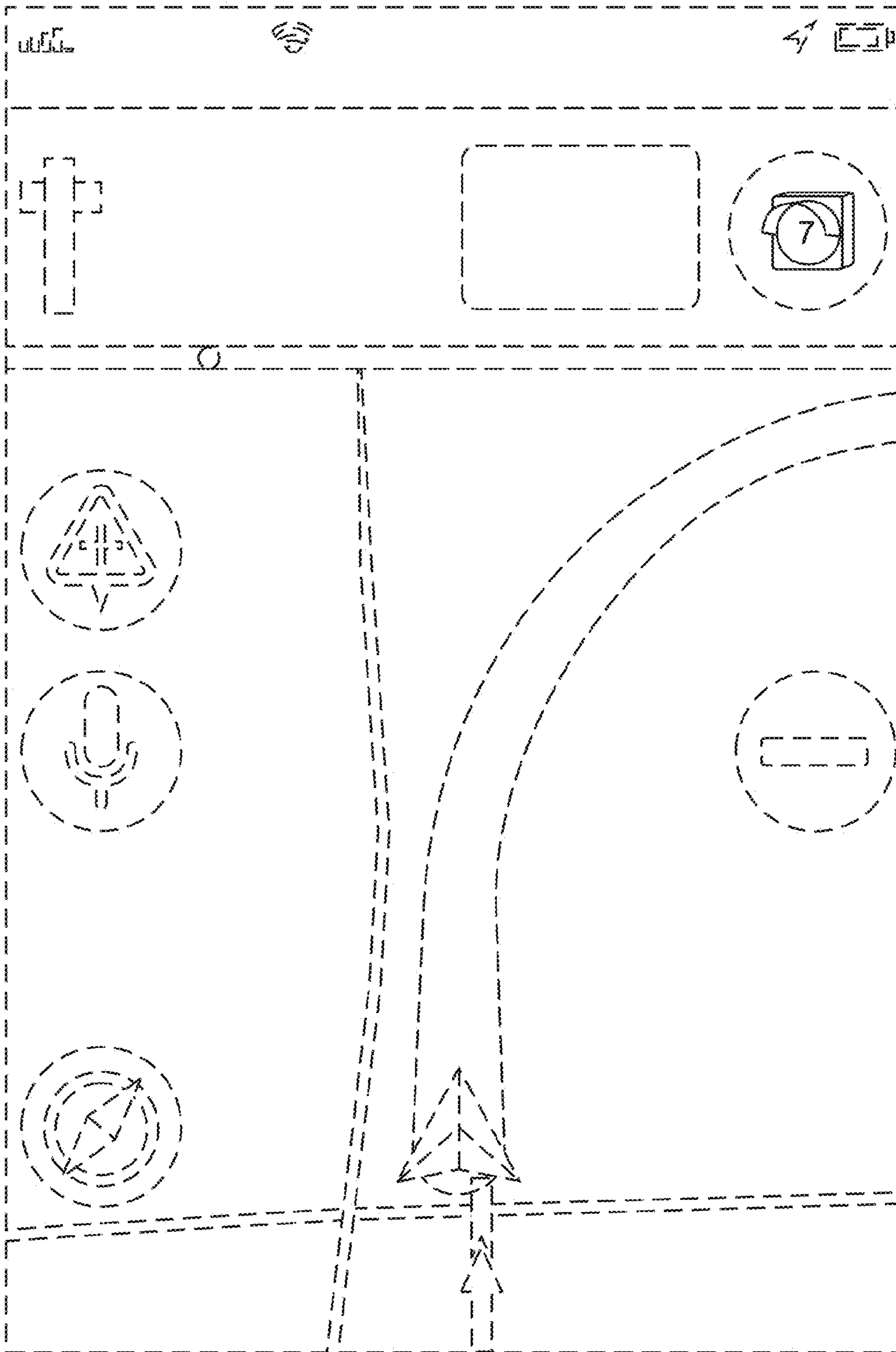


**FIG. 17**

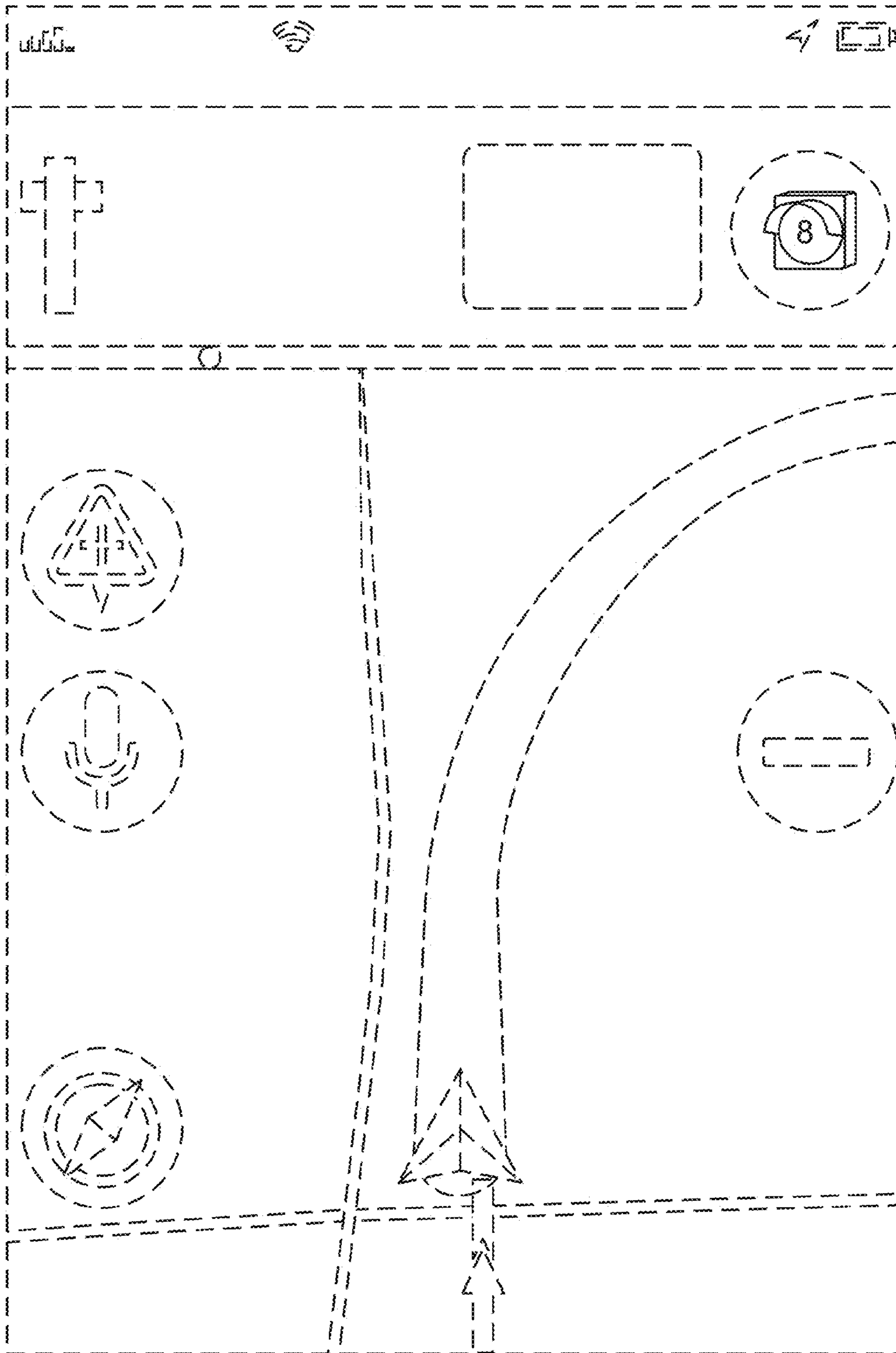


**FIG. 18**

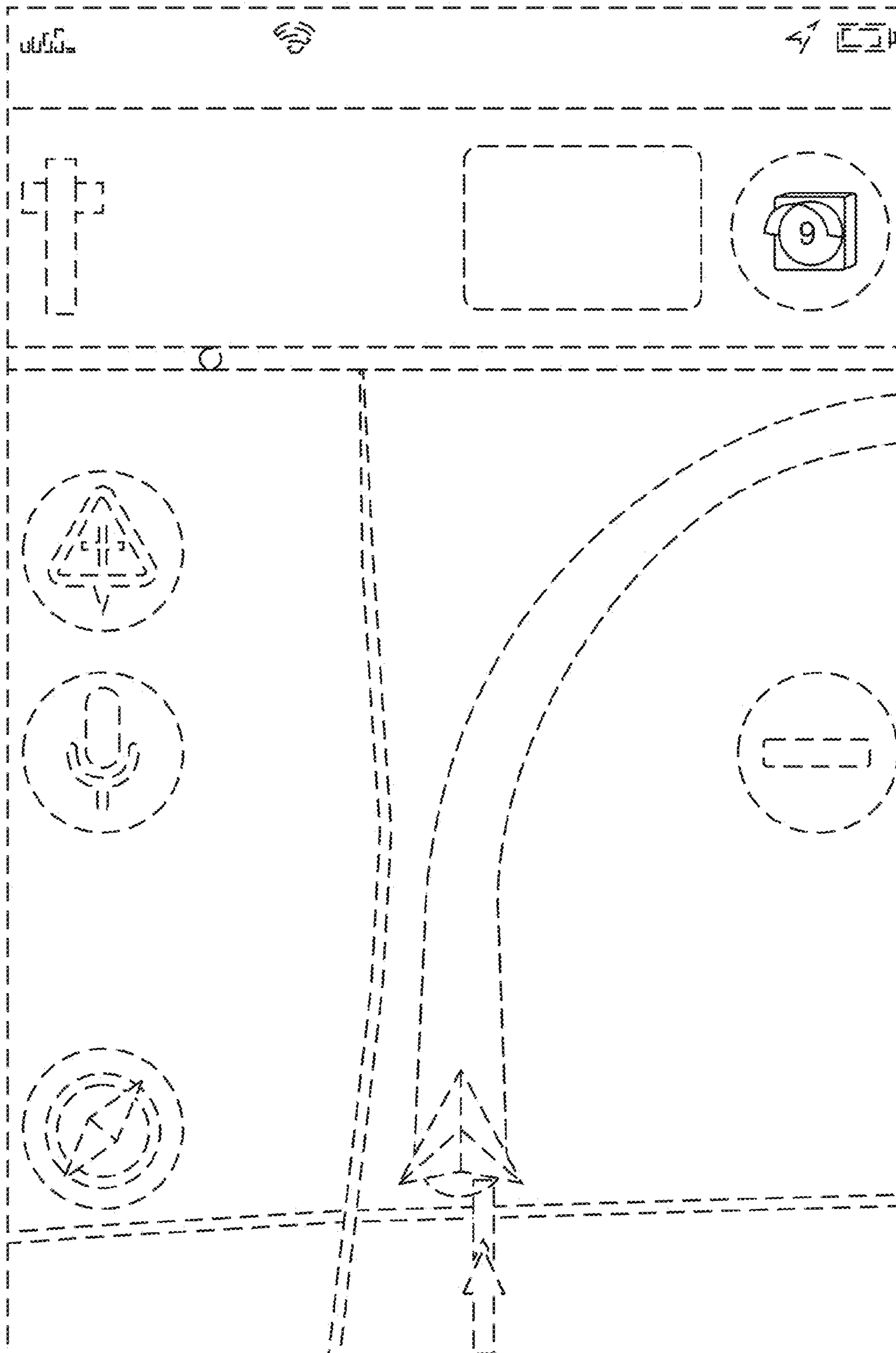




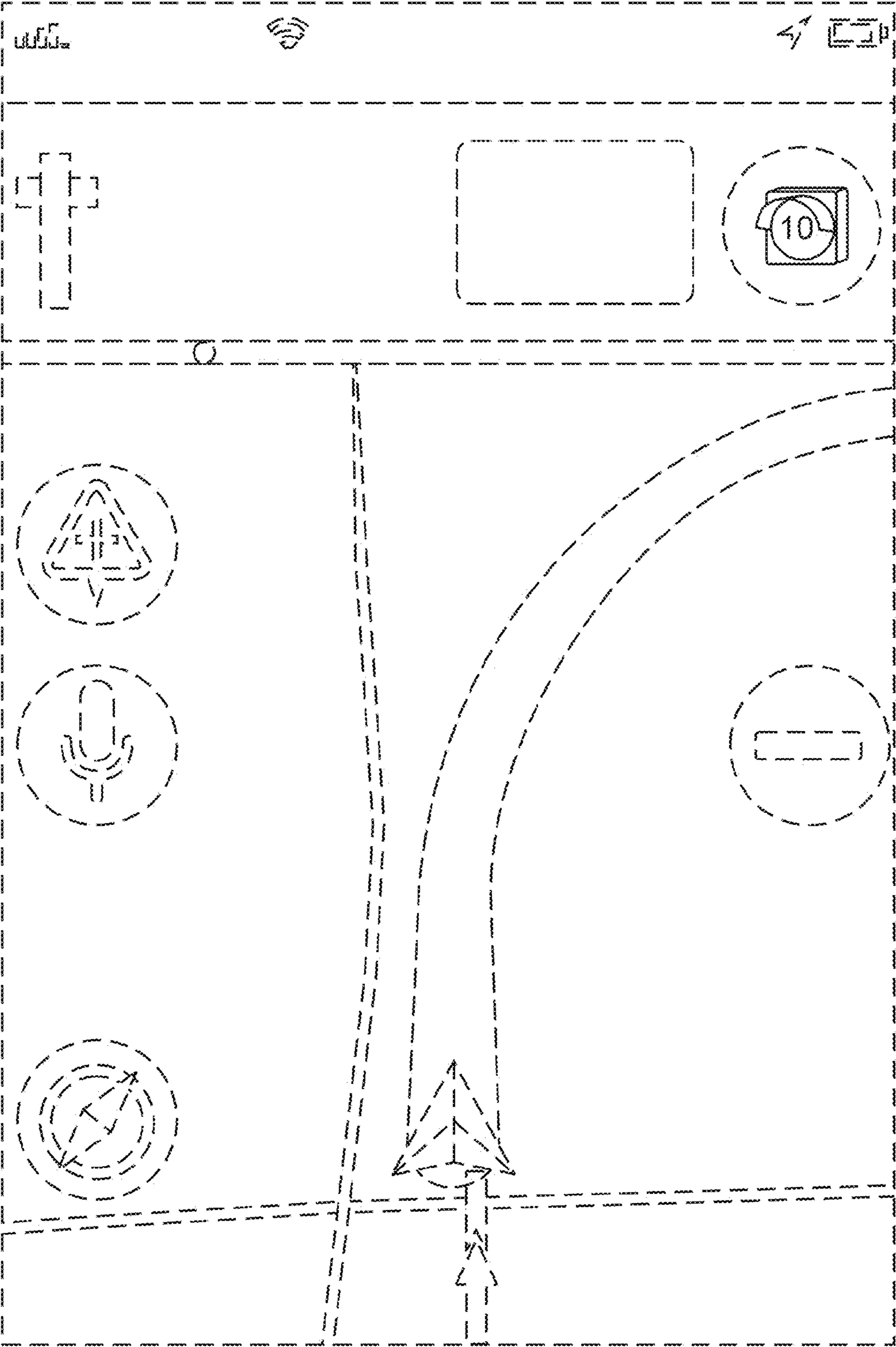
**FIG. 19**



**FIG. 20**



**FIG. 21**



**FIG. 22**