



US00D763309S

(12) **United States Design Patent**
Seo et al.

(10) **Patent No.:** **US D763,309 S**
(45) **Date of Patent:** **** Aug. 9, 2016**

(54) **DISPLAY SCREEN OR PORTION THEREOF
WITH ANIMATED GRAPHICAL USER
INTERFACE**

D709,917 S * 7/2014 Faulkner D14/494
D712,914 S * 9/2014 Lee D14/486
D712,917 S * 9/2014 Lee D14/486

(Continued)

(71) Applicant: **Samsung Electronics Co., Ltd.**,
Suwon-si (KR)

OTHER PUBLICATIONS

(72) Inventors: **Jang-Won Seo**, Seoul (KR); **Yoo-Jin
Choi**, Seoul (KR); **Woo-Seok Hwang**,
Seoul (KR)

Radial/Circular Wipe (After Effects), by JamiesMotionGraphics,
YouTube [online], published May 7, 2015, [retrieved Mar. 18, 2016],
retrieved from the Internet <URL: https://www.youtube.com/watch?v=Ys9IH_2KN0U>.*

60fps Spiral Comets Flares Spin HD Motion Background,
freemotionbacks.com [online], last updated Nov. 8, 2015, [retrieved
Mar. 18, 2016], retrieved from the Internet <URL: http://www.freemotionbacks.com/60fps-spiral-comets-flares-spin-hd-motion-background_ecl62c8c5.html>.*

(Continued)

(73) Assignee: **Samsung Electronics Co., Ltd.**,
Suwon-si (KR)

(**) Term: **15 Years**

Primary Examiner — Cathron Brooks

Assistant Examiner — Ian Whitmore

(21) Appl. No.: **29/528,735**

(74) *Attorney, Agent, or Firm* — NSIP Law

(22) Filed: **Jun. 1, 2015**

(57) **CLAIM**

We claim the ornamental design for a display screen or portion thereof with animated graphical user interface, as shown and described.

(30) **Foreign Application Priority Data**

Dec. 31, 2014 (KR) 30-2014-0064420

DESCRIPTION

(51) **LOC (10) Cl.** **14-04**

FIG. 1 is the first image in a sequence for a display screen or portion thereof with animated graphical user interface showing our new design;

(52) **U.S. Cl.**

USPC **D14/488**; D14/489; D14/485

FIG. 2 is the second image thereof;

(58) **Field of Classification Search**

USPC D14/485–495; D18/32; D20/11, 22, 27,
D20/28, 39, 40; D21/329

FIG. 3 is the third image thereof;

CPC G06F 3/048–3/04897; G06F 2203/04806;
H04N 1/004; H04N 1/00196; H04N 1/00477;
G06Q 10/063114; G11B 27/34

FIG. 4 is the fourth image thereof;

See application file for complete search history.

FIG. 5 is the fifth image thereof;

FIG. 6 is the sixth image thereof;

FIG. 7 is the seventh image thereof; and,

FIG. 8 is the eighth image thereof.

The appearance of the animated user interface sequentially transitions between the images shown in FIGS. 1-8. The process or period in which one image transitions to another forms no part of the claimed design.

(56) **References Cited**

U.S. PATENT DOCUMENTS

The evenly spaced broken lines show a display screen or portion thereof and portions of a graphical user interface and form no part of the claimed design.

D603,421 S * 11/2009 Ebeling D14/489

D604,325 S 11/2009 Ebeling et al.

The dot-dash lines define the boundary of the claimed design and form no part thereof.

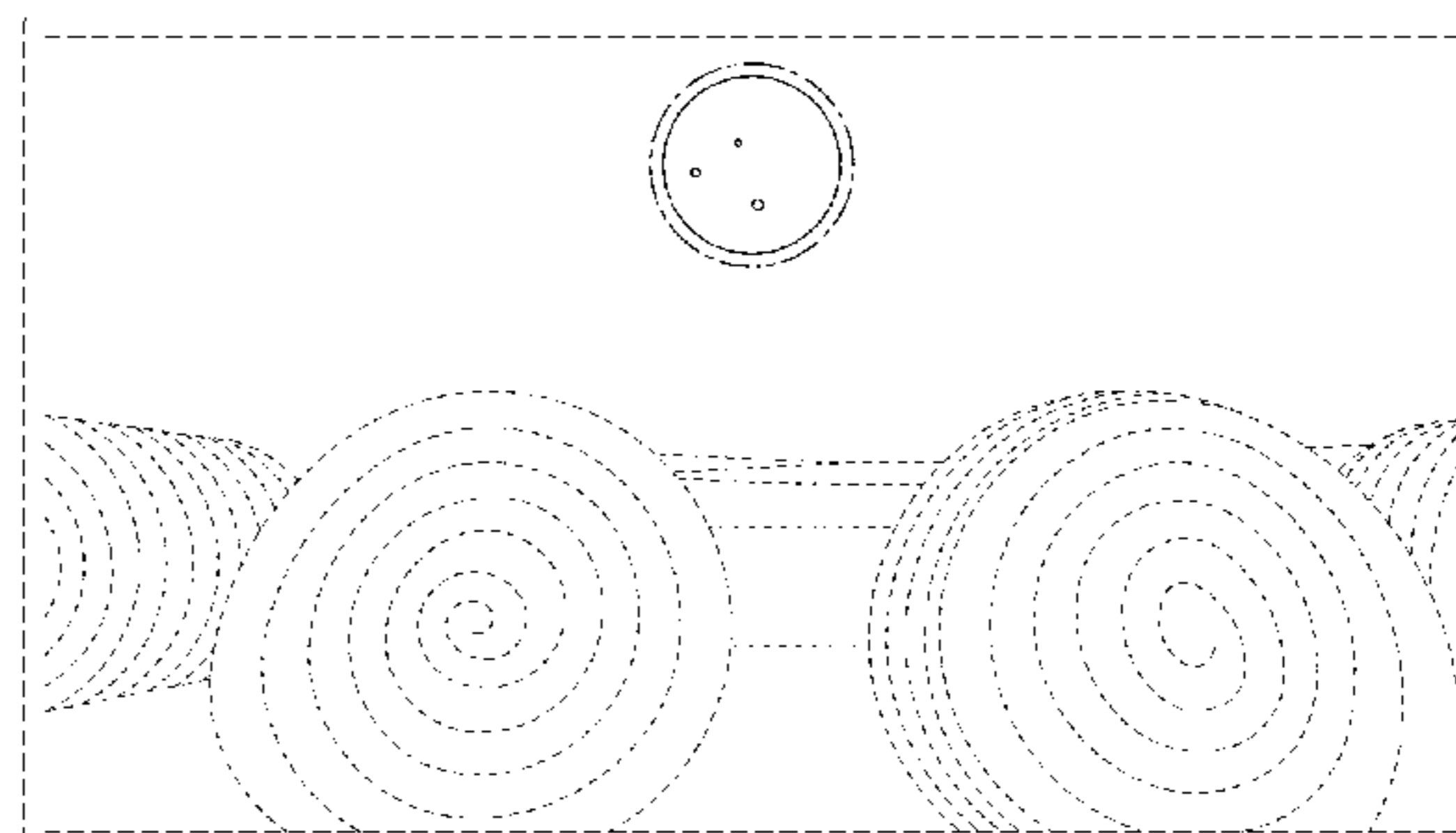
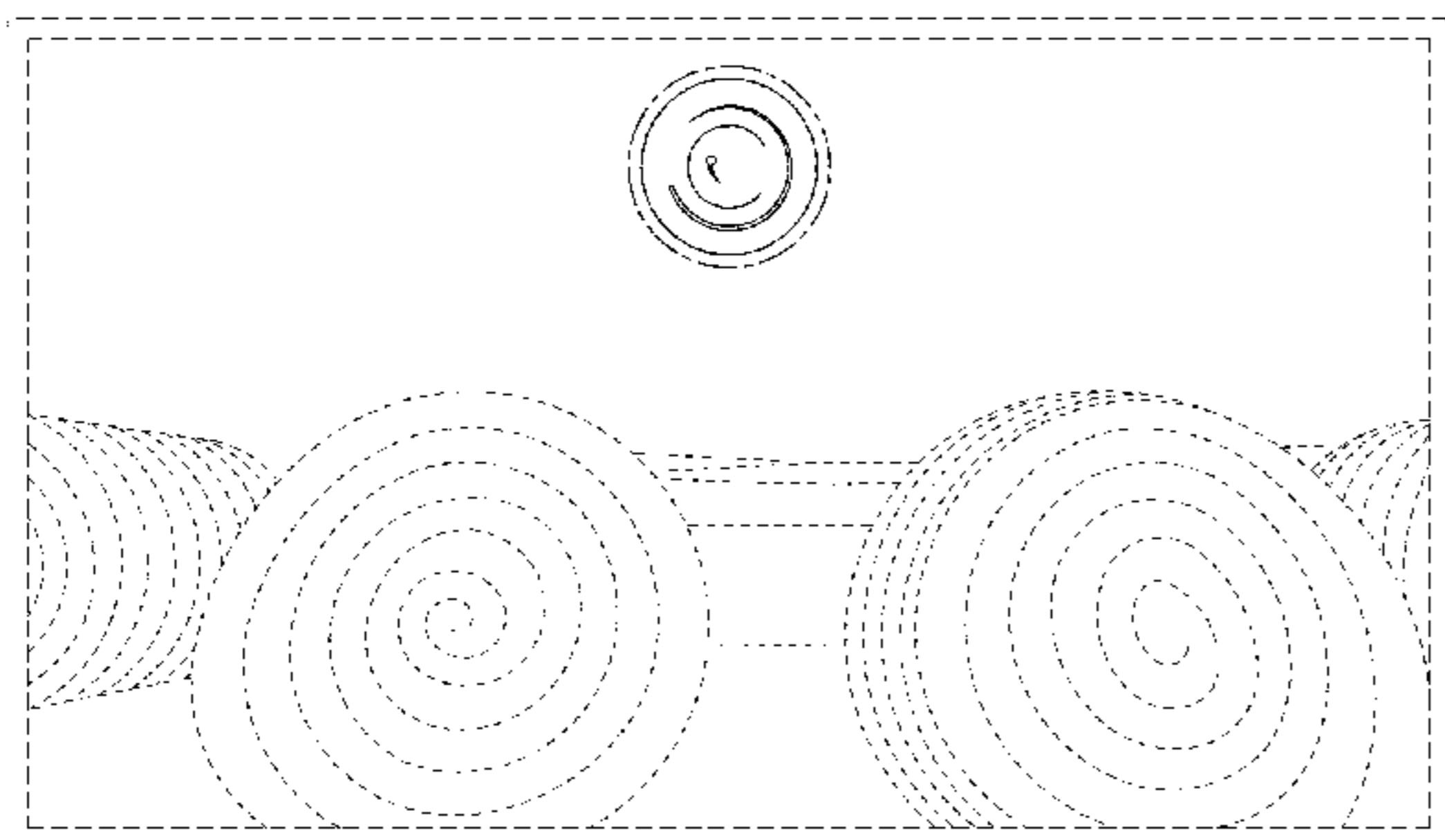
D650,790 S * 12/2011 Jeans D14/488

D656,954 S * 4/2012 Arnold D14/489

D669,497 S * 10/2012 Lee D14/489

D675,644 S * 2/2013 Frost D14/488

1 Claim, 8 Drawing Sheets



(56)

References Cited

U.S. PATENT DOCUMENTS

D744,500 S * 12/2015 Lee D14/485
D750,125 S * 2/2016 Yang D14/488
D751,606 S * 3/2016 Yu D14/494
2012/0096383 A1* 4/2012 Sakamoto G06F 9/4443
715/772
2013/0227450 A1* 8/2013 Na G06F 3/048
715/764

OTHER PUBLICATIONS

Ian Hardy. "Possible new Android logo revealed in leaked LG G Watch boot animation". [2014]. [www.mobilesyrup.com](http://mobilesyrup.com). Jun. 3, 2014. <<http://mobilesyrup.com/2014/06/03/lg-g-watch-bootloader-animation-for-android-wear-surfaces-online-possible-shows-new-android-logo/>>.
Xantic21. "Windows 7 Startup logo—V1". [2009]. www.xantic21.deviantart.com/ <<http://xantic21.deviantart.com/art/Windows-7-Startup-logo-V1-119707513>>.

* cited by examiner

FIG. 1

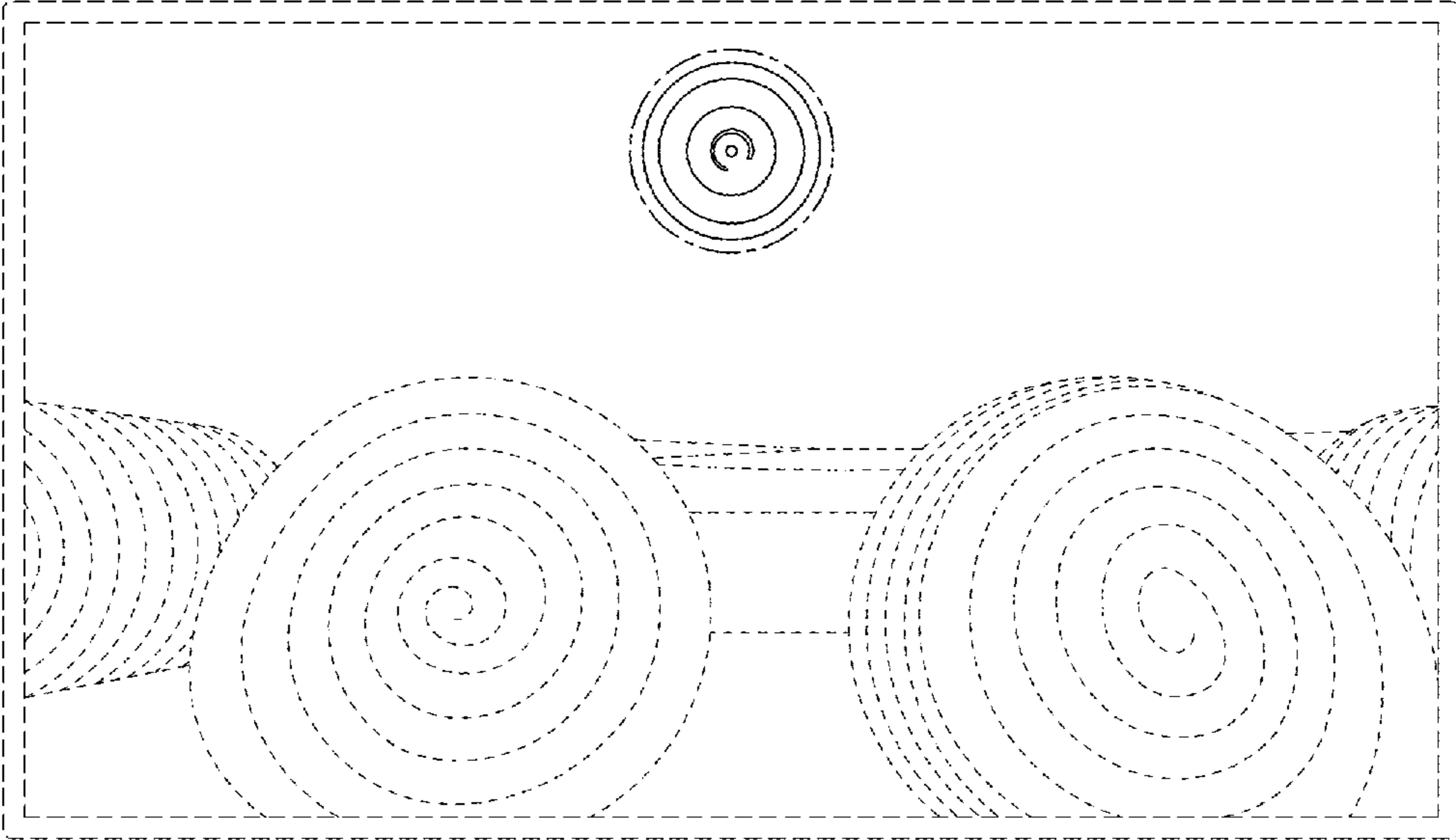


FIG. 2

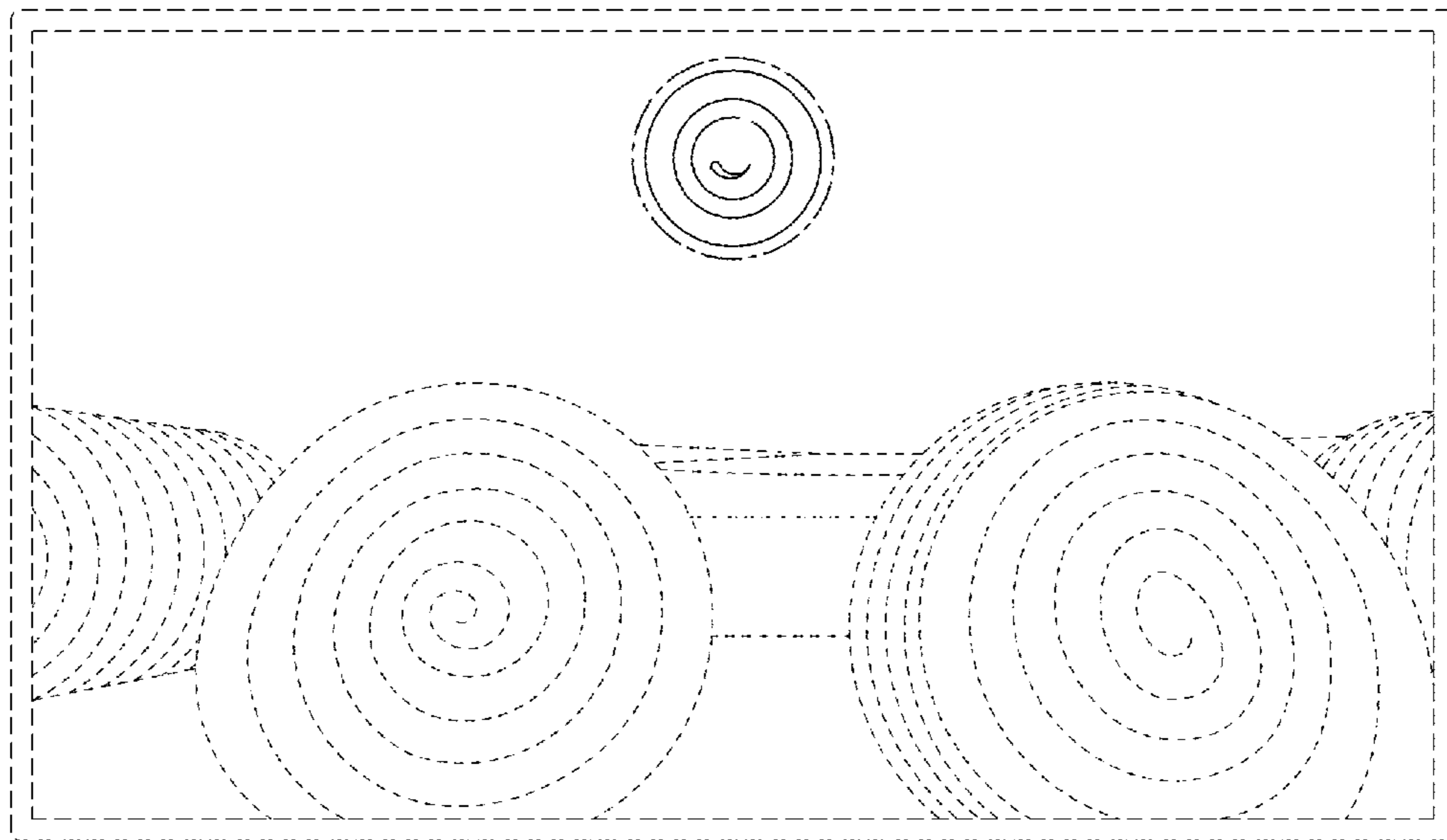


FIG. 3

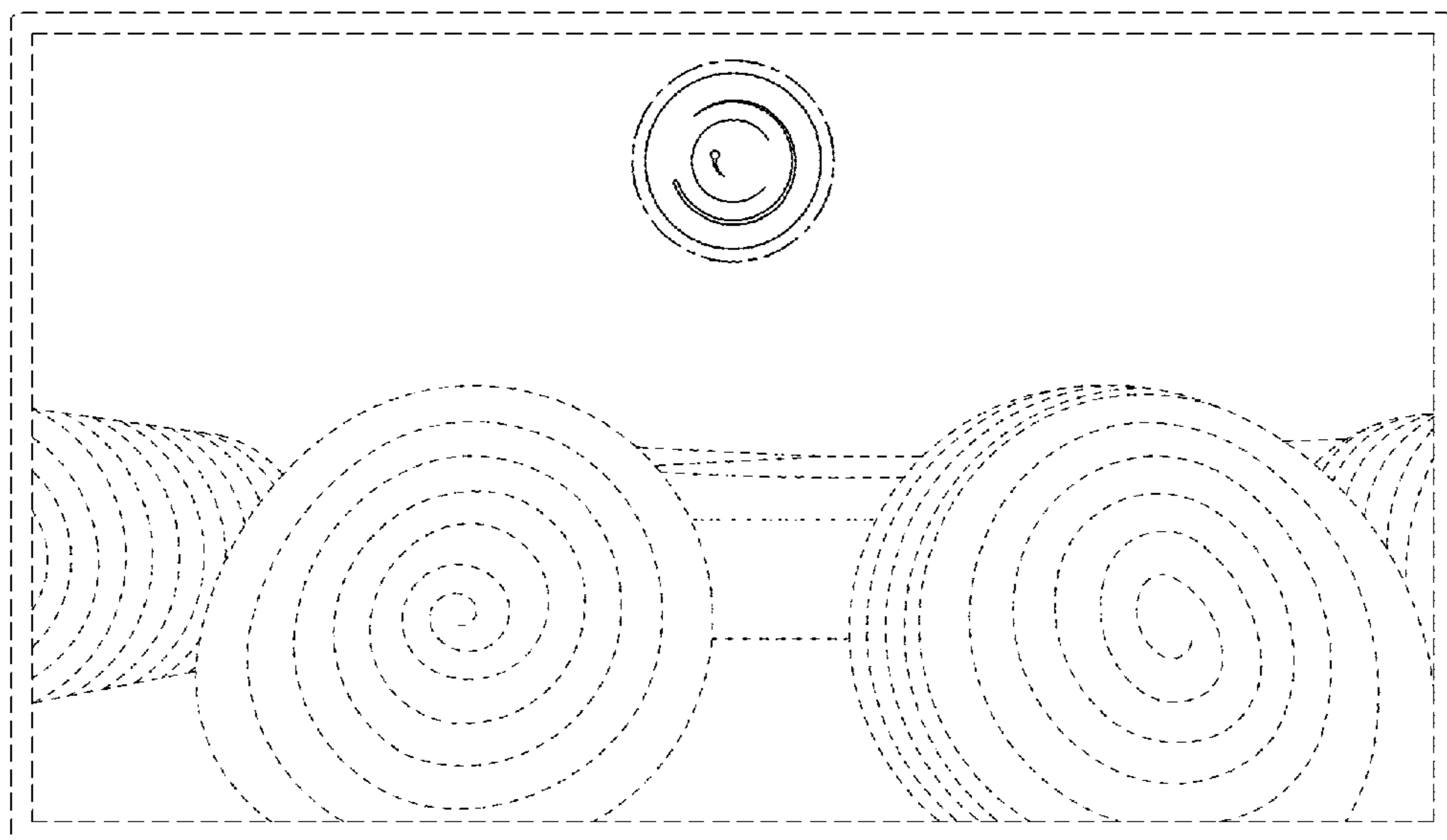


FIG. 4

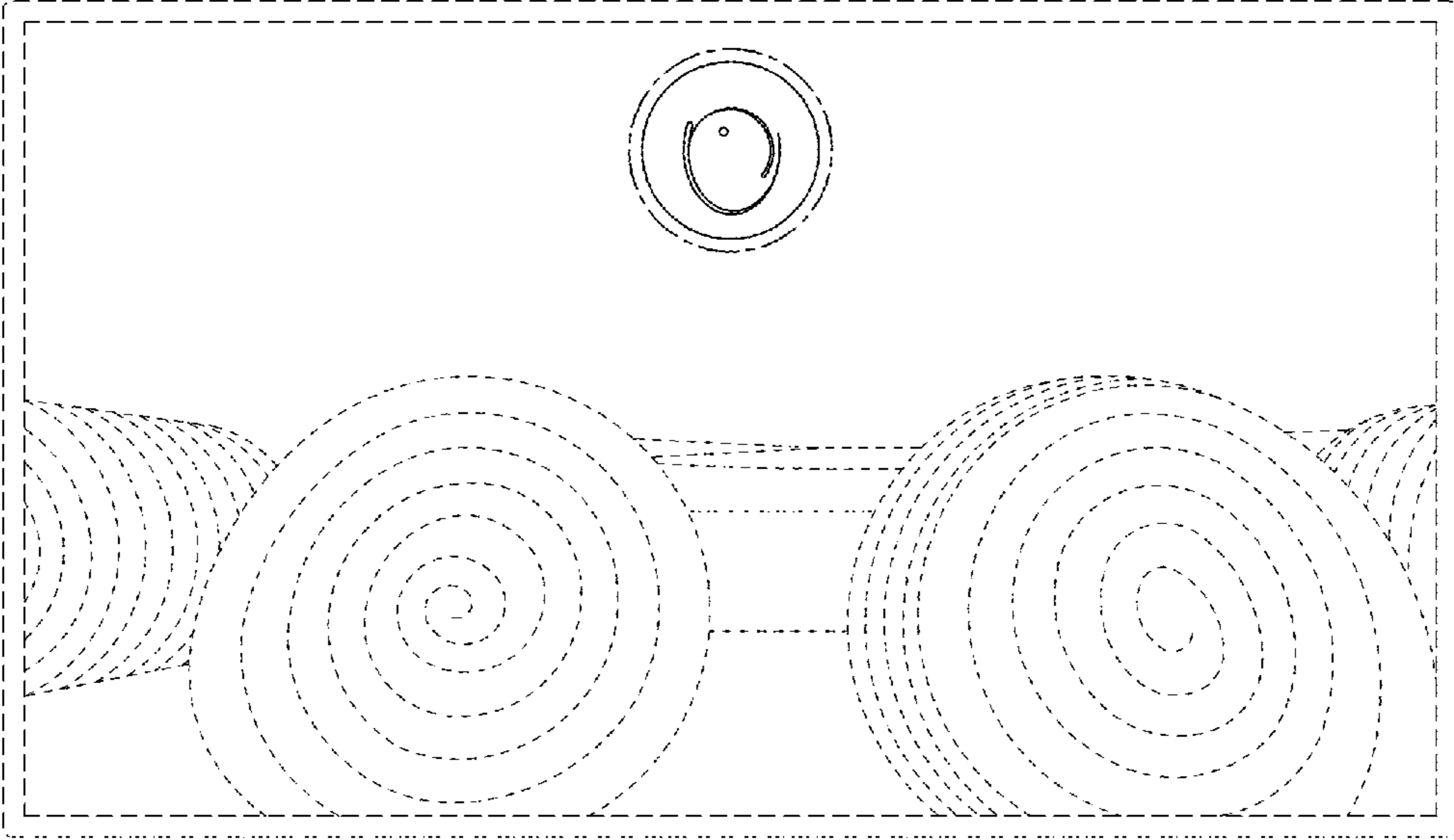


FIG. 5

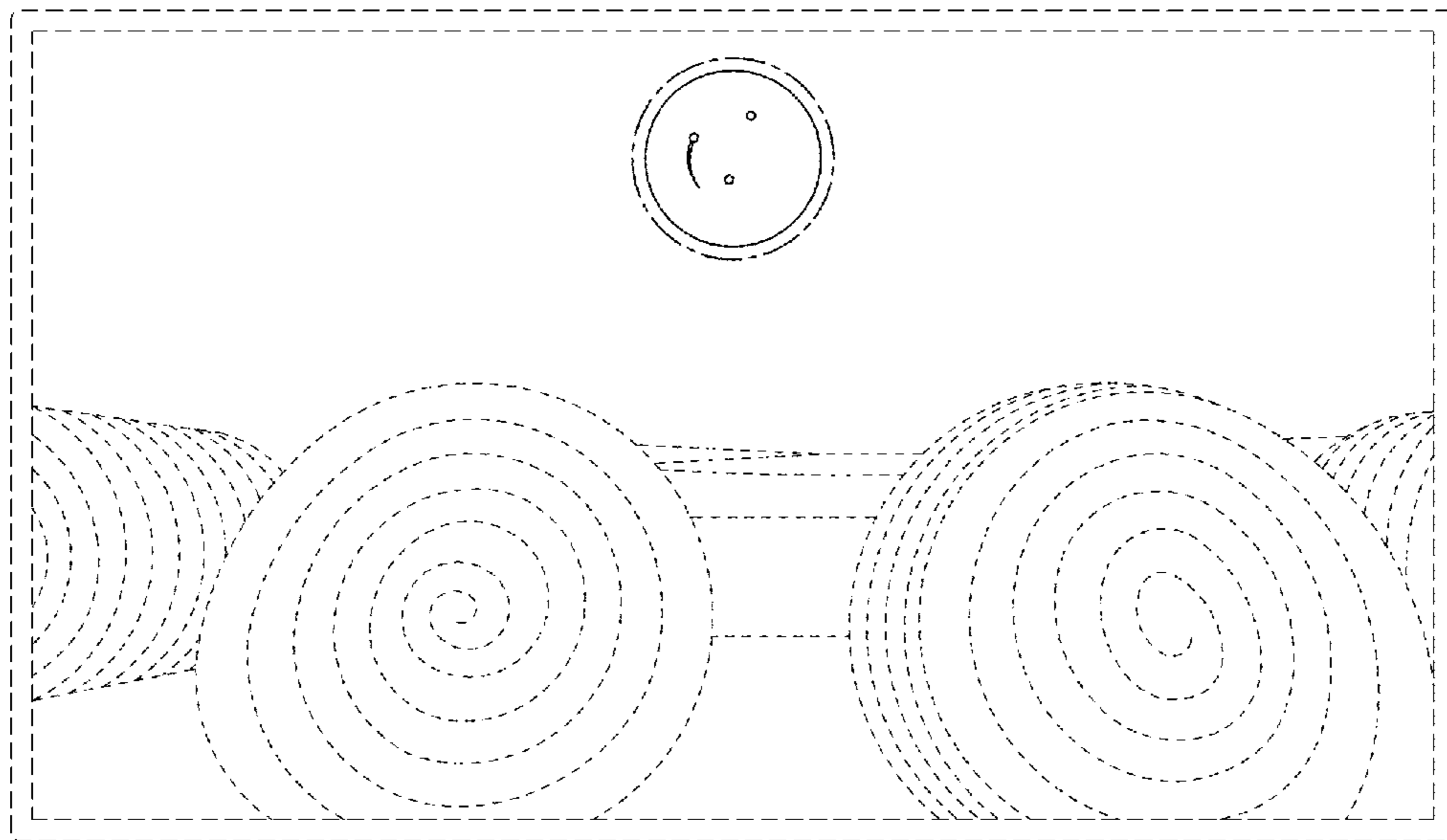


FIG. 6

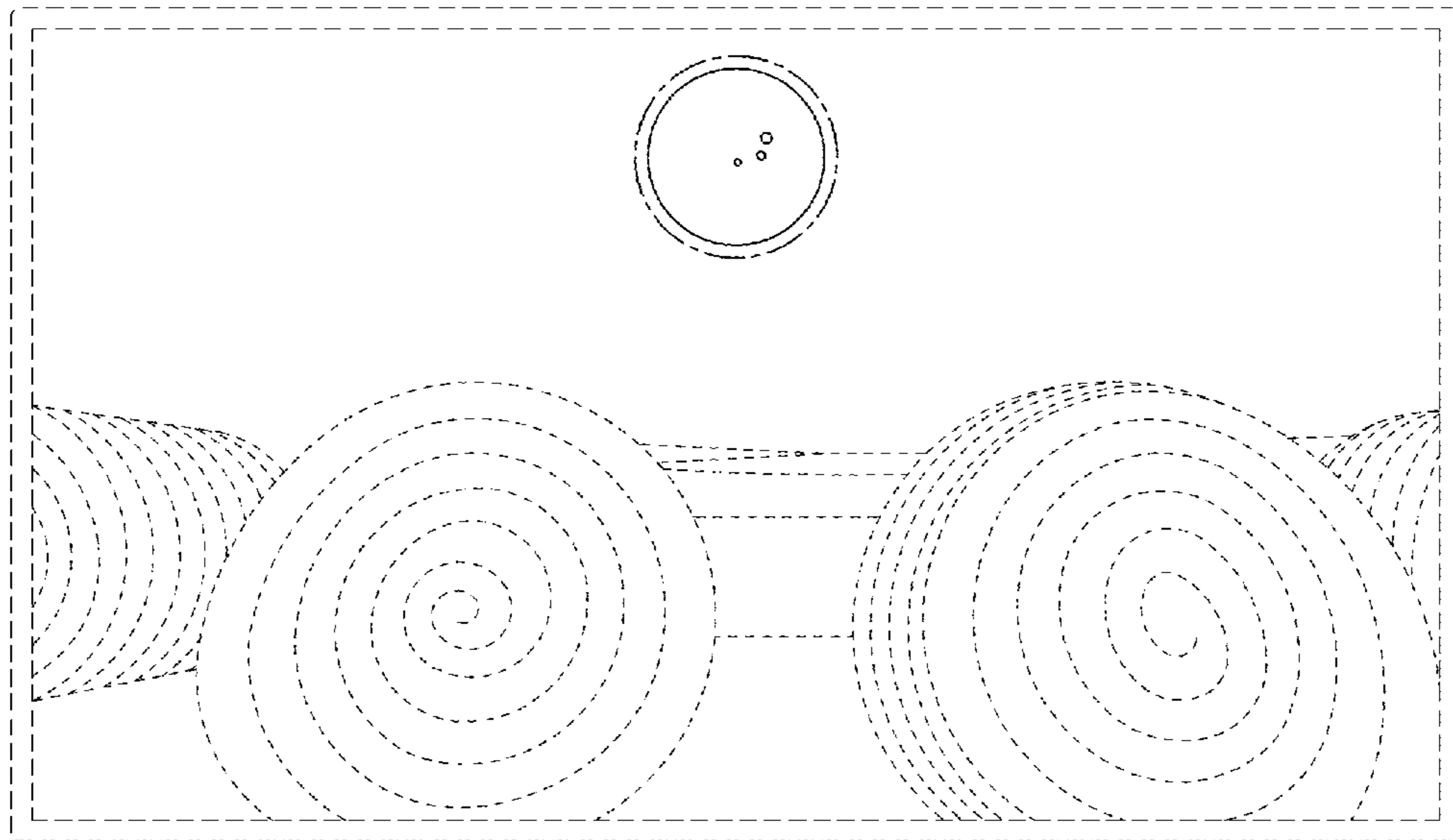


FIG. 7

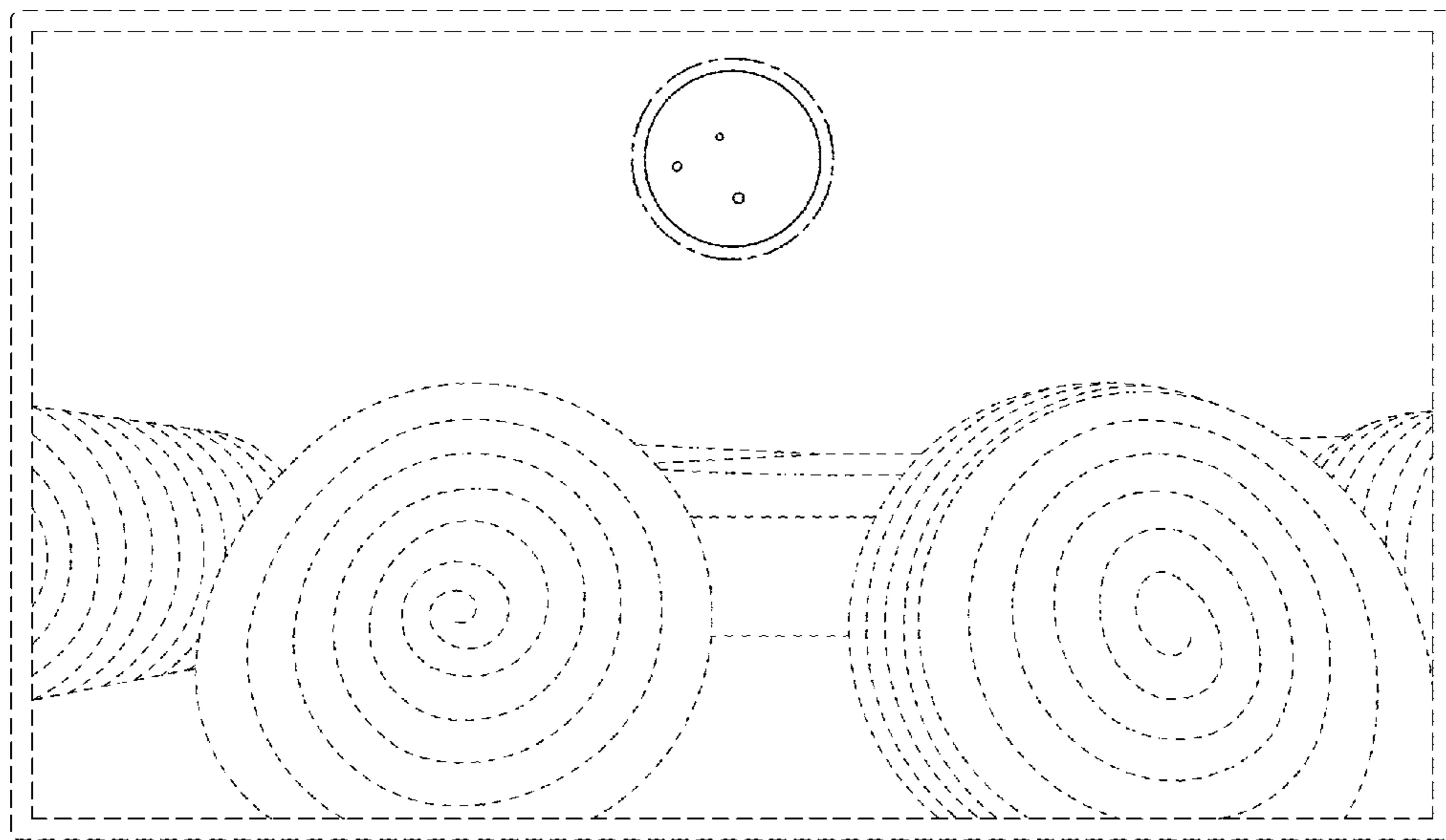


FIG. 8

