



US00D763271S

(12) **United States Design Patent**
Everette et al.

(10) **Patent No.:** **US D763,271 S**
(45) **Date of Patent:** **** Aug. 9, 2016**

(54) **DISPLAY SCREEN OR PORTION THEREOF WITH ANIMATED GRAPHICAL USER INTERFACE**

(71) Applicant: **Samsung Electronics Co., Ltd.**,
Suwon-si, Gyeonggi-do (KR)

(72) Inventors: **Neil Everette**, San Jose, CA (US); **Feron McGurrin**, Watsonville, CA (US); **João Afonso**, Cascais (PT)

(73) Assignee: **SAMSUNG ELECTRONICS CO., LTD.** (KR)

(**) Term: **14 Years**

(21) Appl. No.: **29/513,557**

(22) Filed: **Jan. 2, 2015**

(51) **LOC (10) Cl.** **14-04**

(52) **U.S. Cl.**
USPC **D14/485**

(58) **Field of Classification Search**
USPC D14/485–495
CPC H04N 21/431; H04N 21/8113; H04N 21/2312; H04N 21/4312; G06F 3/0487; G06F 3/0488; G06F 3/04883
See application file for complete search history.

(56) **References Cited**

U.S. PATENT DOCUMENTS

D613,301 S *	4/2010	Lee	D14/489
D626,131 S *	10/2010	Kruzeniski	D14/485
D627,360 S *	11/2010	Aarseth	D14/485
D631,060 S *	1/2011	Flik	D14/486
D691,171 S *	10/2013	Brinda	D14/488
D699,745 S *	2/2014	Pearson	D14/488
D699,748 S *	2/2014	Pearson	D14/488
D701,217 S *	3/2014	Kim	D14/485
D703,693 S *	4/2014	Brinda	D14/488
D712,915 S *	9/2014	Lee	D14/486
D713,413 S *	9/2014	Lee	D14/486

D713,414 S *	9/2014	Lee	D14/486
D713,415 S *	9/2014	Lee	D14/486
D716,334 S *	10/2014	Lee	D14/486
D716,819 S *	11/2014	Kotler	D14/485
D726,221 S *	4/2015	Gomez	D14/492
D734,770 S *	7/2015	Kim	D14/486
D737,325 S *	8/2015	Kim	D14/489
D740,300 S *	10/2015	Lee	D14/485

(Continued)

OTHER PUBLICATIONS

Boaden, Ed. "Loading—Concentric Circles." Dribbble.com, posted Jul. 2, 2013 (Retrieved from the Internet Mar. 11, 2016). Internet URL: <https://dribbble.com/shots/1139506-Loading-Concentric-Circles>.*

(Continued)

Primary Examiner — Eric Goodman

Assistant Examiner — Rachel Voorhies

(74) *Attorney, Agent, or Firm* — Cantor Colburn LLP

(57) **CLAIM**

We claim, the ornamental design for a display screen or portion thereof with animated graphical user interface, as shown and described.

DESCRIPTION

FIG. 1 is a first image in a sequence for a display screen or portion thereof with animated graphical user interface showing our new design;

FIG. 2 is a second image in a sequence thereof;

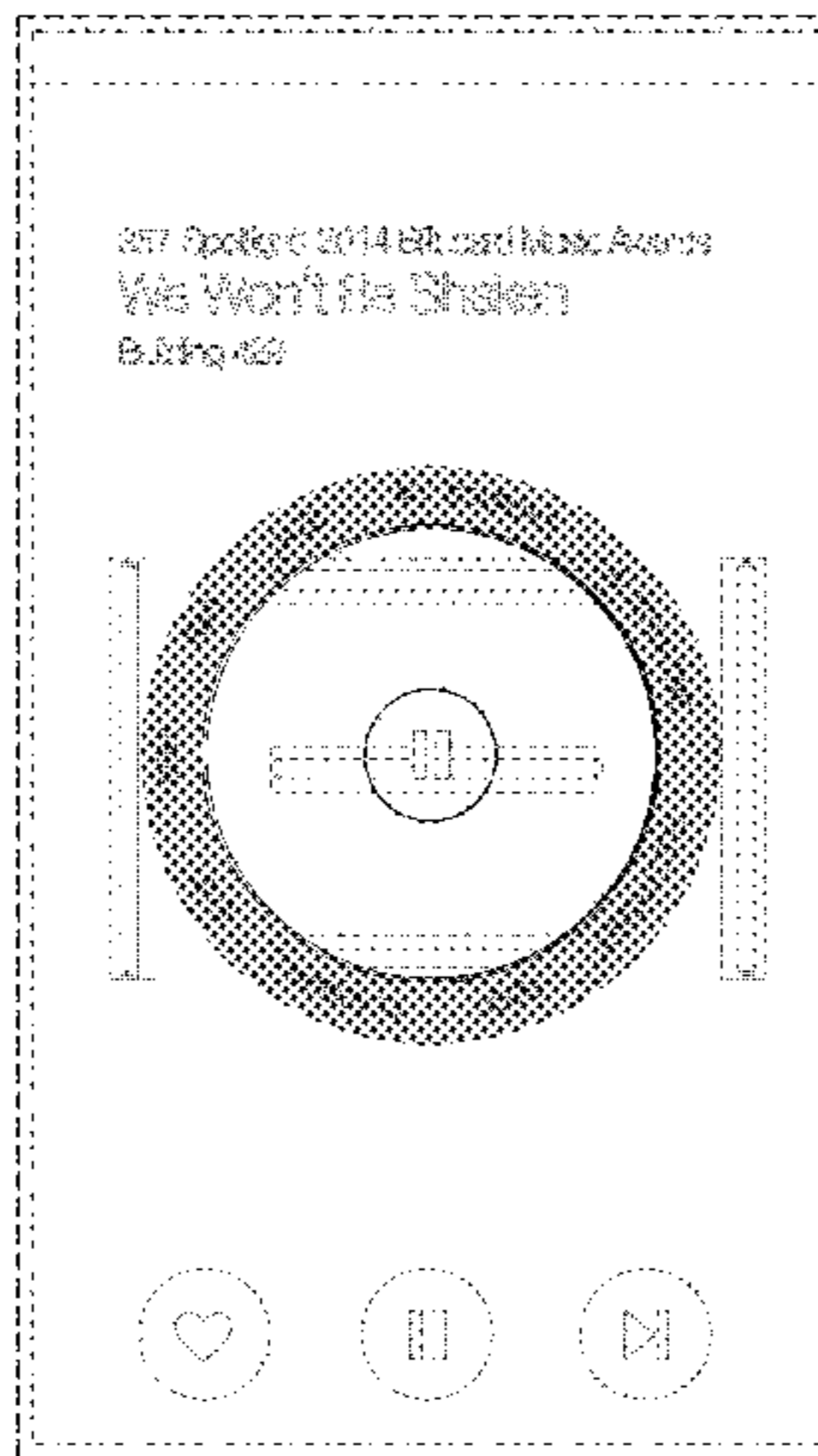
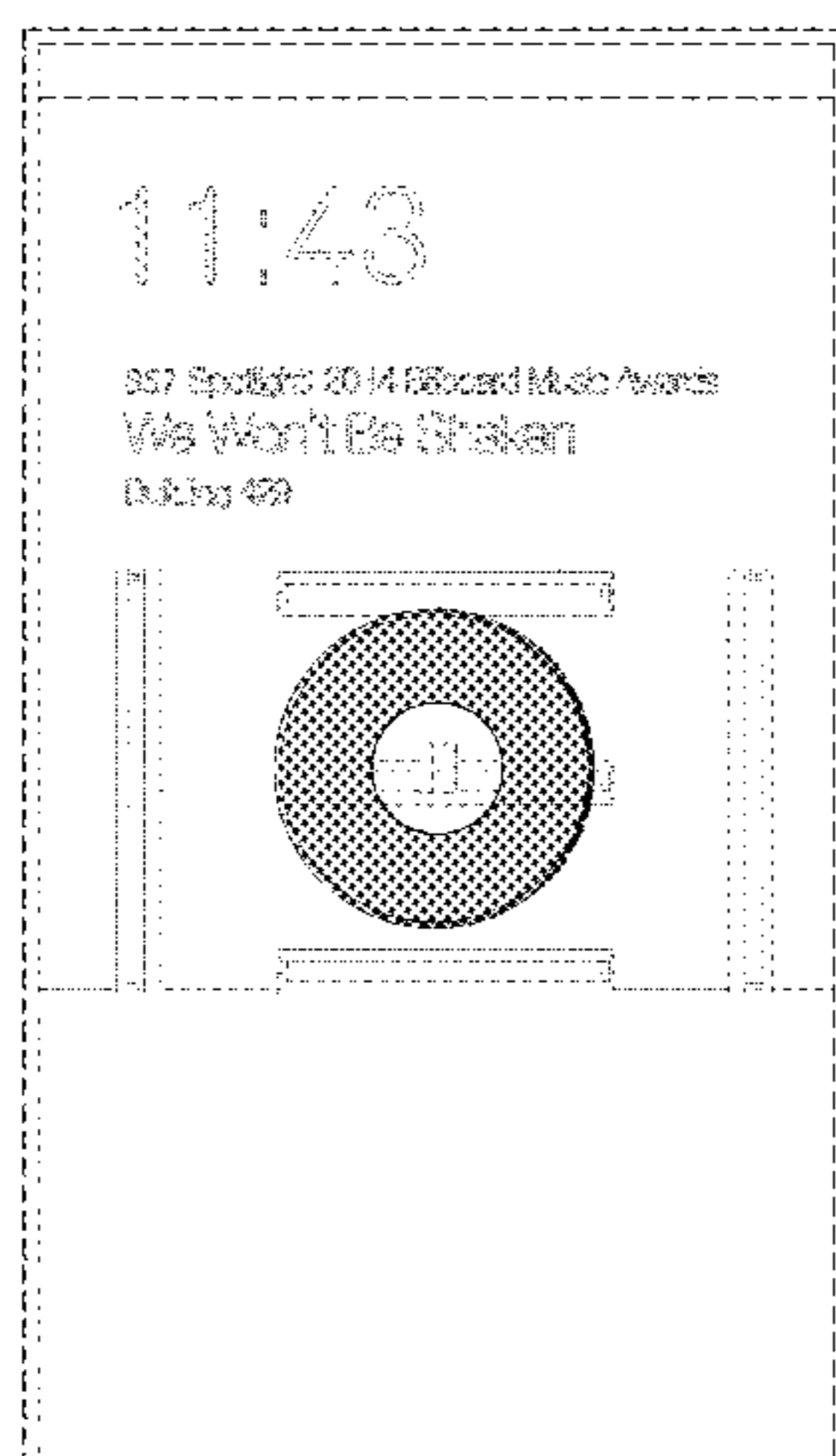
FIG. 3 is a third image in a sequence thereof; and,

FIG. 4 is a fourth image in a sequence thereof.

The broken lines are for environmental purposes only and form no part of the claimed design.

The appearance of the transitional image sequentially between the images shown in FIGS. 1-4. The process or period in which one image transitions to another forms no part of the claimed design.

1 Claim, 4 Drawing Sheets



(56)

References Cited

U.S. PATENT DOCUMENTS

D744,500 S * 12/2015 Lee D14/485
D745,527 S * 12/2015 Wang D14/485
D745,559 S * 12/2015 Sanderson D14/492
D746,857 S * 1/2016 Rayit D14/488
D748,657 S * 2/2016 Lee D14/486
D749,107 S * 2/2016 Amiya D14/486
2014/0265359 A1 * 9/2014 Cheng E05B 47/026
292/144
2016/0065414 A1 * 3/2016 Sundermeyer H04L 41/22
370/254

OTHER PUBLICATIONS

Heath, Alex. "robick Audio Player for iPhone Will Make Musical
Maestros Rejoice." iDownloadBlog, posted Jul. 26, 2011 (Retrieved
from the Internet Mar. 11, 2016). Internet URL: <[http://www.
idownloadblog.com/2011/07/26/robick/](http://www.idownloadblog.com/2011/07/26/robick/)>.*

* cited by examiner

FIG. 1

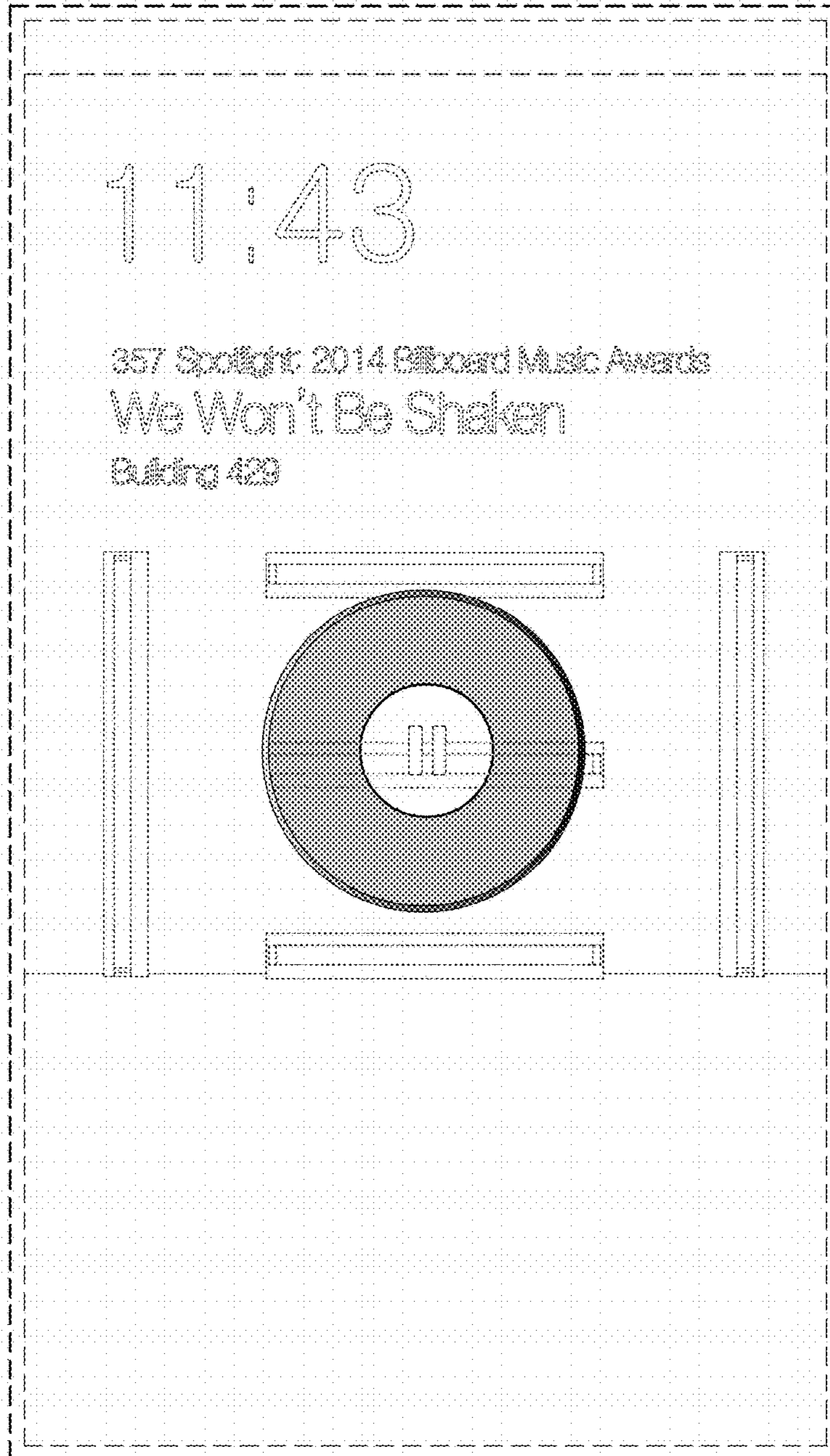


FIG. 2

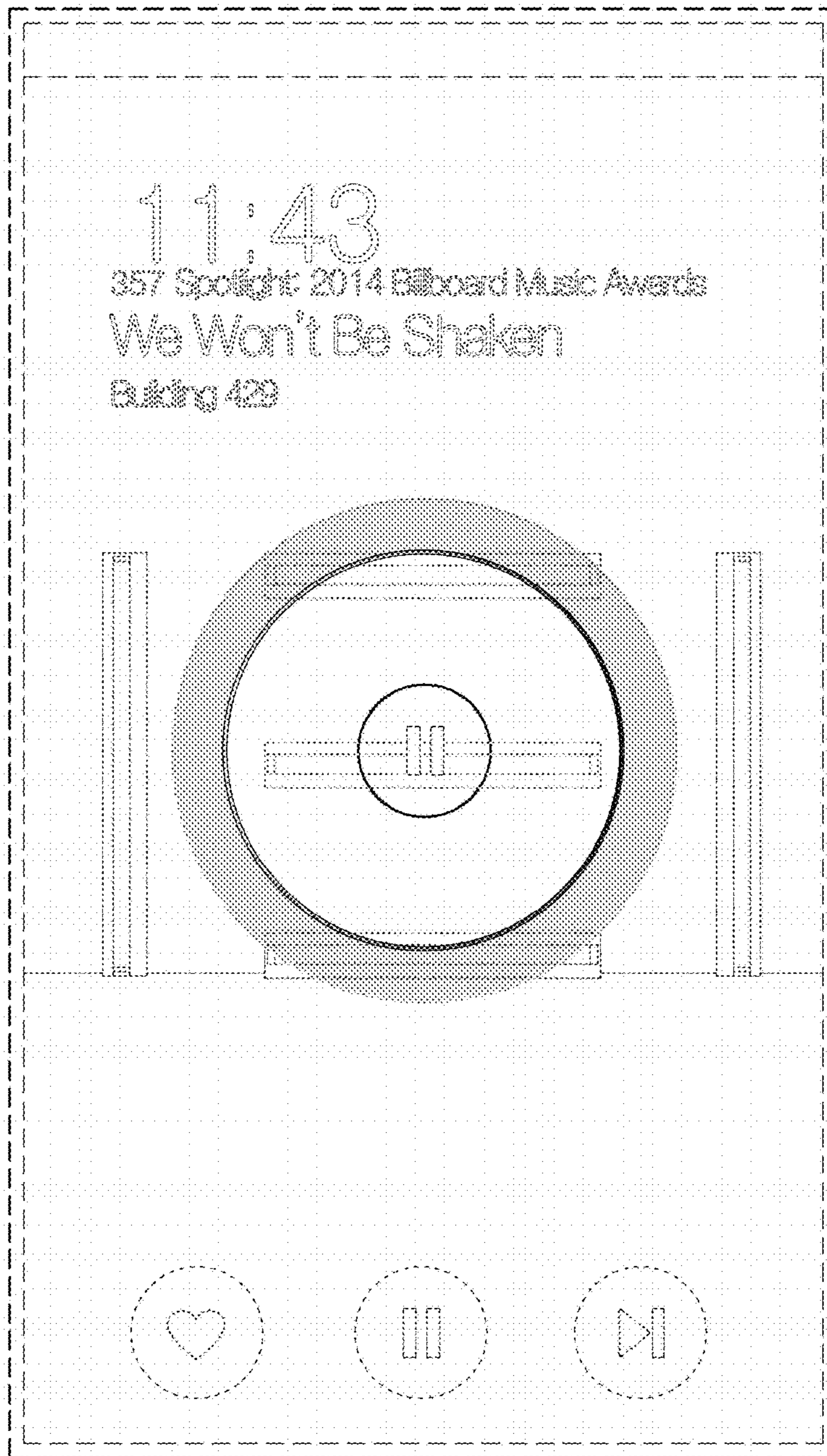


FIG. 3

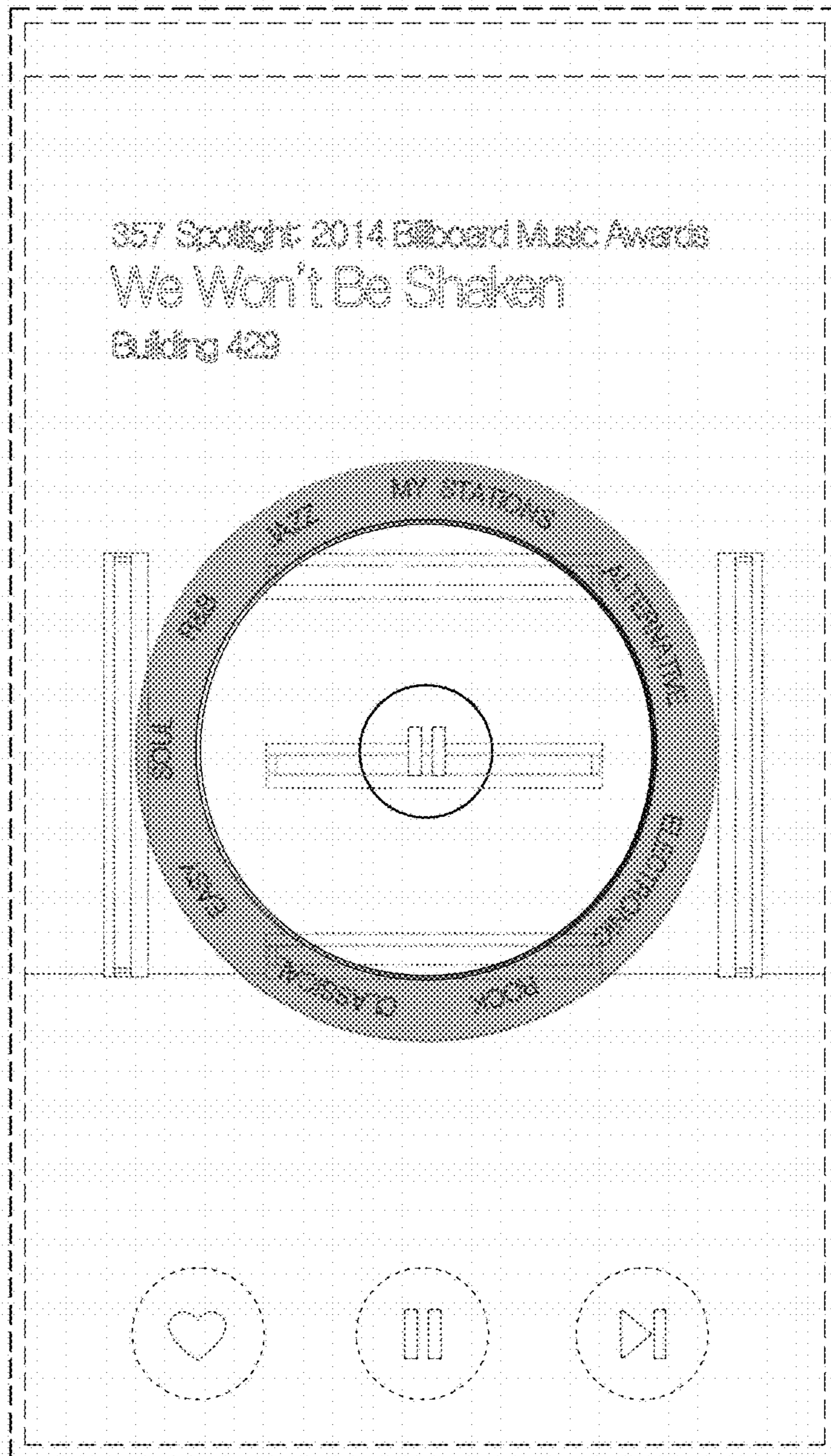


FIG. 4

