



US00D763264S

(12) **United States Design Patent**
Smith et al.

(10) **Patent No.:** **US D763,264 S**
(45) **Date of Patent:** **** Aug. 9, 2016**

- (54) **CASE FOR AN ELECTRONIC DEVICE**
- (71) Applicant: **OTTER PRODUCTS, LLC**, Fort Collins, CO (US)
- (72) Inventors: **W. Travis Smith**, Fort Collins, CO (US); **Richard Rodriguez**, Fort Collins, CO (US); **Paul N. Walker**, Fort Collins, CO (US)
- (73) Assignee: **OTTER PRODUCTS, LLC**, Fort Collins, CO (US)
- (**) Term: **15 Years**
- (21) Appl. No.: **29/540,951**
- (22) Filed: **Sep. 29, 2015**
- (51) **LOC (10) Cl.** **14-02**
- (52) **U.S. Cl.**
USPC **D14/440**
- (58) **Field of Classification Search**
USPC D14/250, 440, 447; 206/45.23, 320, 206/45.2; 361/679.55; 294/25; 224/218
CPC ... G06F 1/1628; G06F 1/1613; A47B 23/044; H04B 1/3888
See application file for complete search history.

(56) **References Cited**

U.S. PATENT DOCUMENTS

D356,120 S *	3/1995	Allen	D21/335
D364,191 S *	11/1995	Allen	D21/335
D467,429 S *	12/2002	Bone	D3/294
D574,819 S	8/2008	Andre et al.		
D575,056 S	8/2008	Tan		
D597,089 S	7/2009	Khan et al.		
7,609,512 B2	10/2009	Richardson et al.		
D606,532 S	12/2009	Jong et al.		
D618,230 S	6/2010	Brown et al.		
D643,433 S *	8/2011	Hsieh	D14/440
D658,188 S *	4/2012	Diebel	D14/440
8,186,514 B2	5/2012	Bowers		

D663,304 S *	7/2012	Akana	D14/440
D667,783 S	9/2012	Zhang et al.		
D668,245 S	10/2012	Bau		
D671,932 S	12/2012	Azoulay		
D672,781 S *	12/2012	Lu	D14/440
D673,159 S	12/2012	McCarthy et al.		
D673,551 S	1/2013	Chang et al.		
D674,801 S	1/2013	Wharram		
D676,449 S *	2/2013	Probst	D14/440
D678,260 S *	3/2013	Bau	D14/132
D679,279 S *	4/2013	Yang	D14/440
D679,715 S *	4/2013	Akana	D14/440
D681,020 S	4/2013	Magness et al.		
D681,621 S	5/2013	Magness		
D681,622 S	5/2013	Melanson et al.		
D681,641 S *	5/2013	Van Den Nieuwenhuizen	D14/440
8,443,971 B1	5/2013	Green et al.		
D684,149 S	6/2013	Chang et al.		
D684,358 S	6/2013	Pegg		

(Continued)

Primary Examiner — Cynthia Underwood
Assistant Examiner — Lilyana Bekic

(57) **CLAIM**

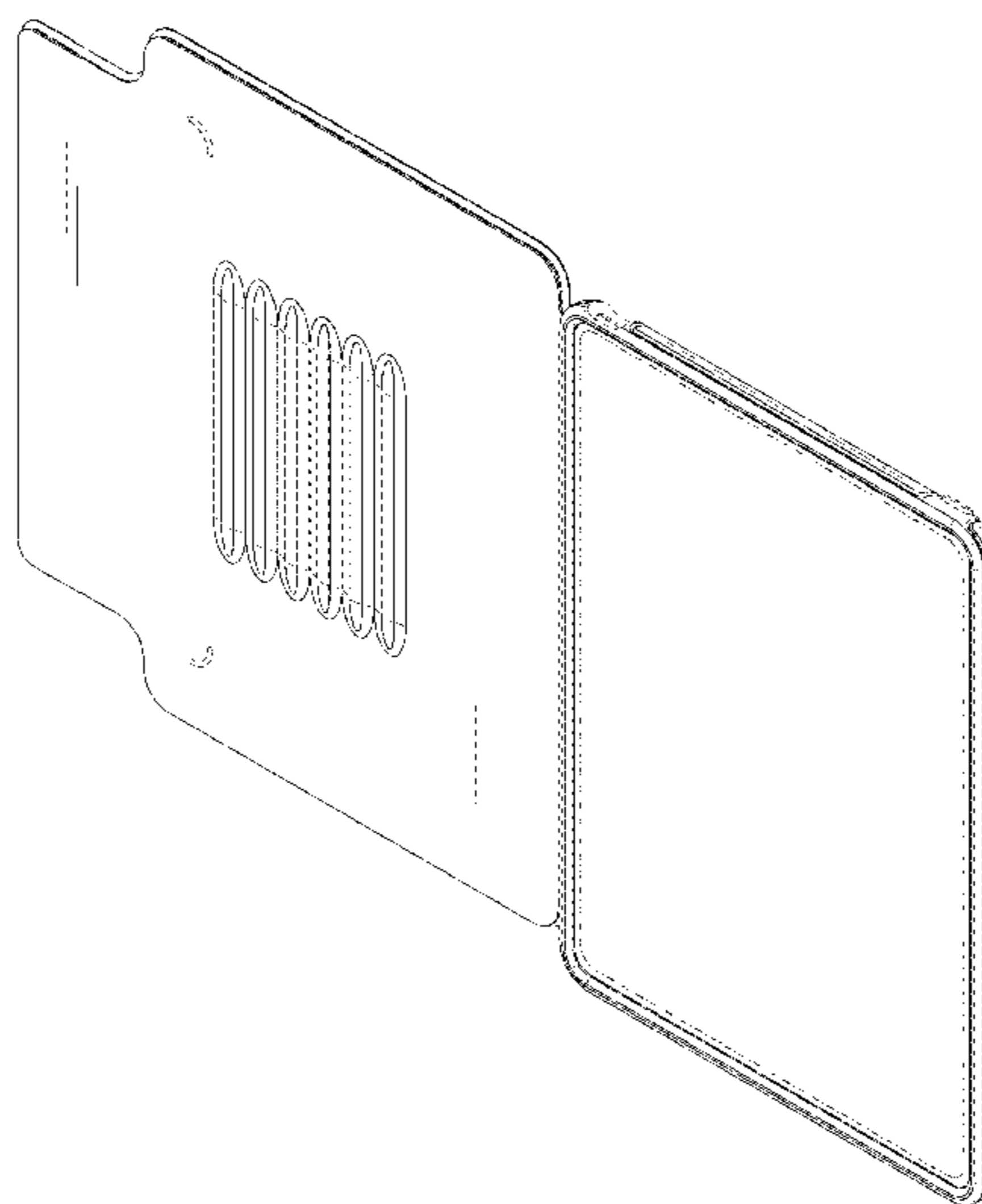
The ornamental design for a case for an electronic device, as shown and described.

DESCRIPTION

FIG. 1 is a front isometric view of a case for an electronic device;
 FIG. 2 is a rear isometric view thereof;
 FIG. 3 is a front view thereof;
 FIG. 4 is a rear view thereof;
 FIG. 5 is a left view thereof;
 FIG. 6 is a right view thereof;
 FIG. 7 is a top view thereof; and,
 FIG. 8 is a bottom view thereof.

The dot-dash broken line represents a boundary of the claimed design. The dash-dash broken lines depict unclaimed subject matter. The broken lines and unshaded surfaces bounded by broken lines form no part of the claimed design.

1 Claim, 6 Drawing Sheets



(56)

References Cited

U.S. PATENT DOCUMENTS

D685,358 S 7/2013 Armstrong et al.
 D685,785 S 7/2013 Seoc et al.
 D686,607 S 7/2013 Hong
 D687,438 S * 8/2013 Lu D14/440
 D691,142 S * 10/2013 Diebel D14/440
 D696,253 S * 12/2013 Akana D14/345
 D696,669 S * 12/2013 Akana D14/440
 D703,654 S 4/2014 Melanson et al.
 D703,656 S 4/2014 Witter et al.
 D709,058 S 7/2014 Hemesath et al.
 D709,869 S 7/2014 Witter et al.
 D710,346 S 8/2014 Smith et al.
 D713,848 S * 9/2014 Akana D14/440

D714,791 S * 10/2014 Liu D14/440
 D721,071 S 1/2015 Nelson et al.
 D726,731 S * 4/2015 Kim D14/440
 D753,123 S * 4/2016 Probst D14/440
 2009/0107858 A1 * 4/2009 Huang A45C 9/00
 206/214
 2012/0043235 A1 2/2012 Klement
 2013/0020216 A1 * 1/2013 Chiou G06F 1/1626
 206/320
 2013/0048520 A1 * 2/2013 Garrett A45F 5/00
 206/320
 2013/0098788 A1 4/2013 McCarville et al.
 2013/0233762 A1 * 9/2013 Balaji B65D 25/00
 206/736
 2013/0257240 A1 10/2013 Hong
 2014/0049142 A1 2/2014 Magness

* cited by examiner

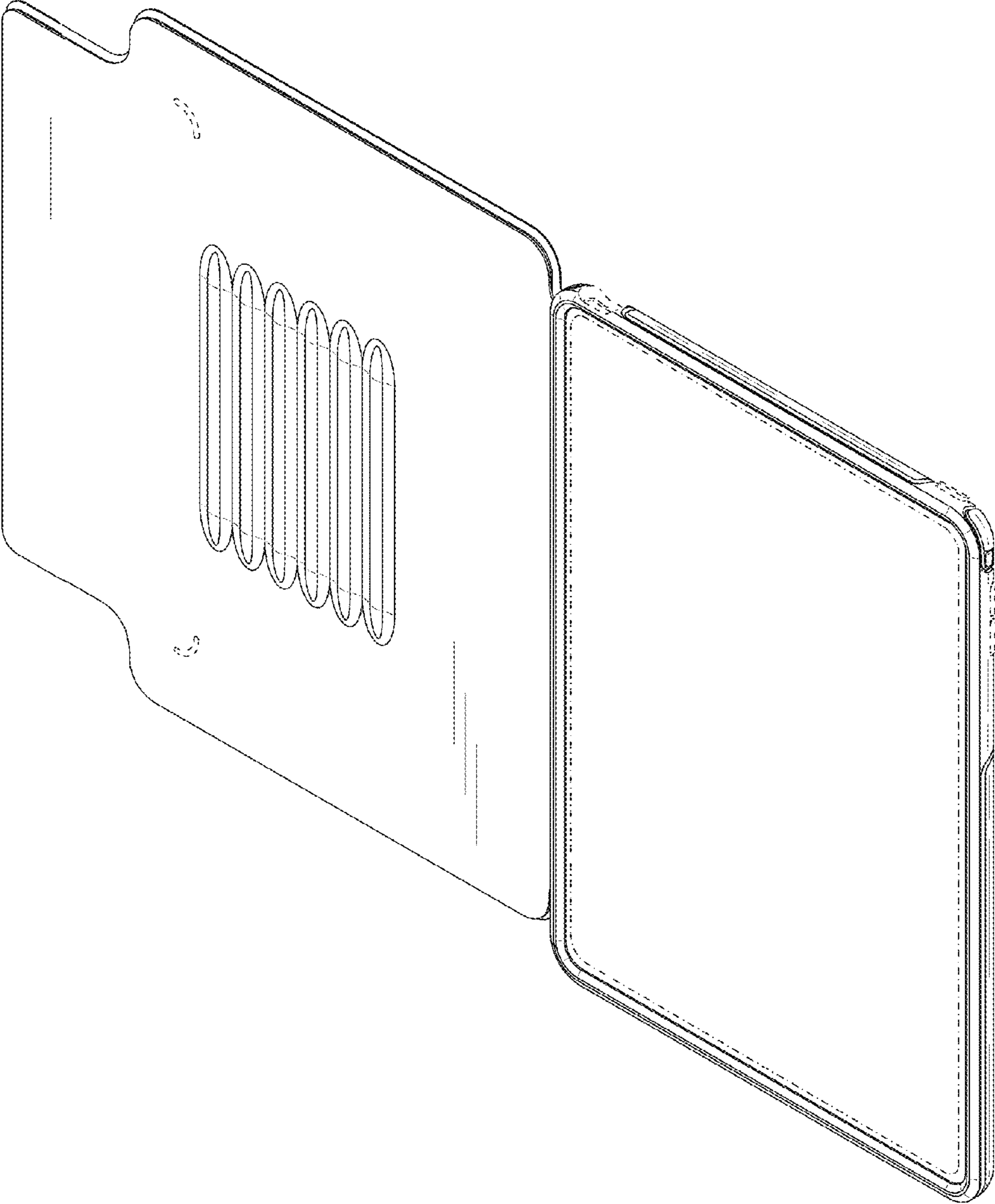


FIG. 1

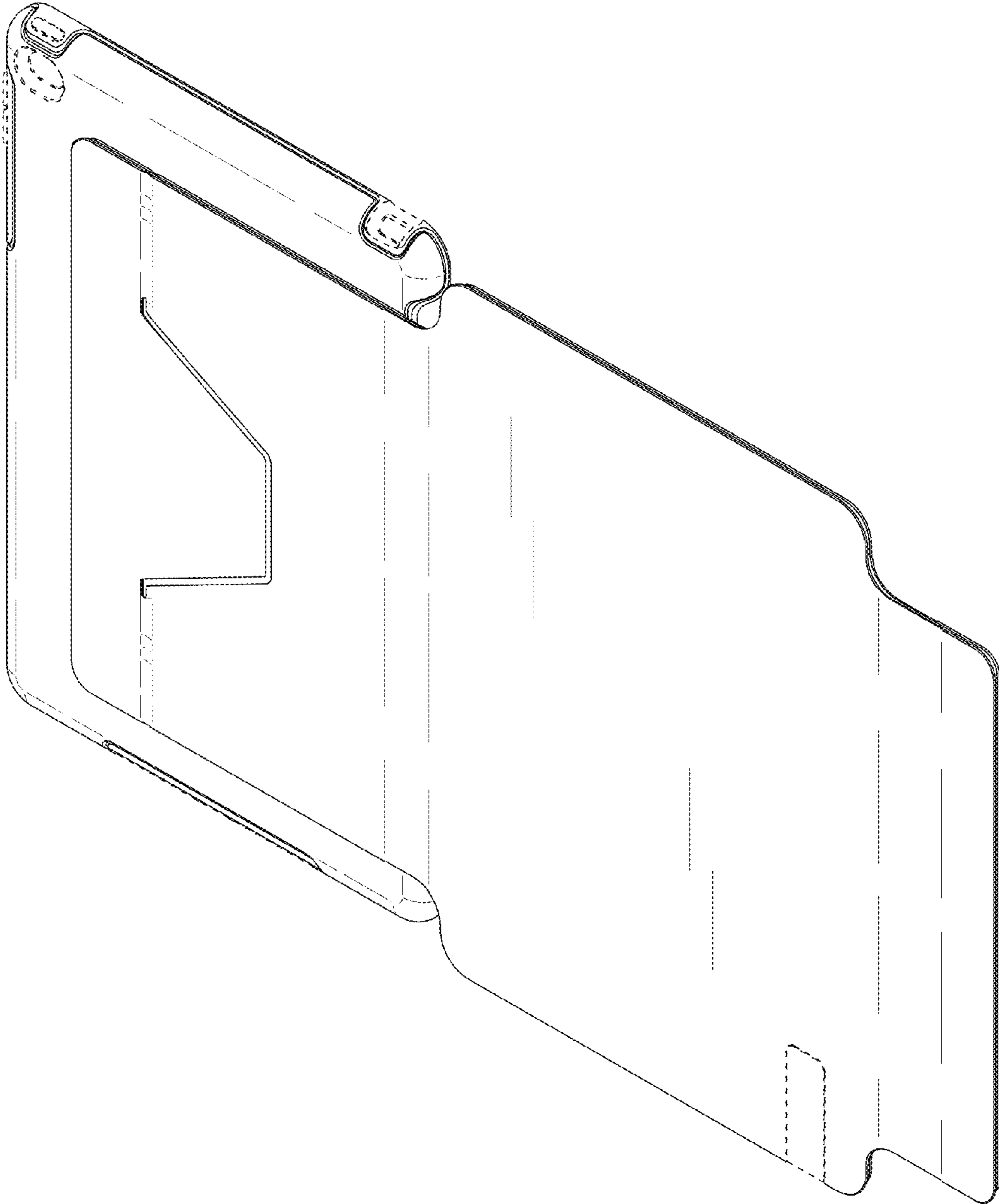


FIG. 2

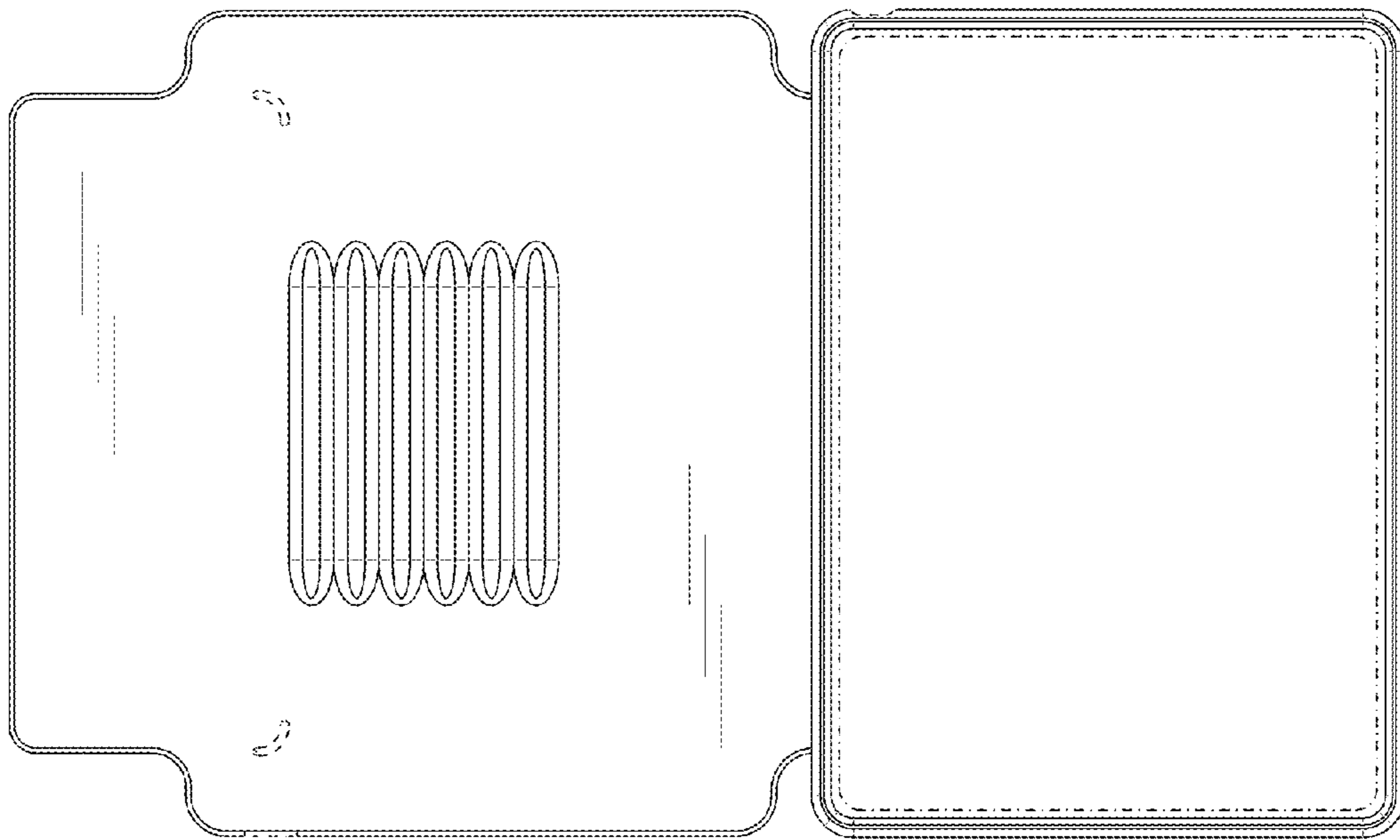


FIG. 3

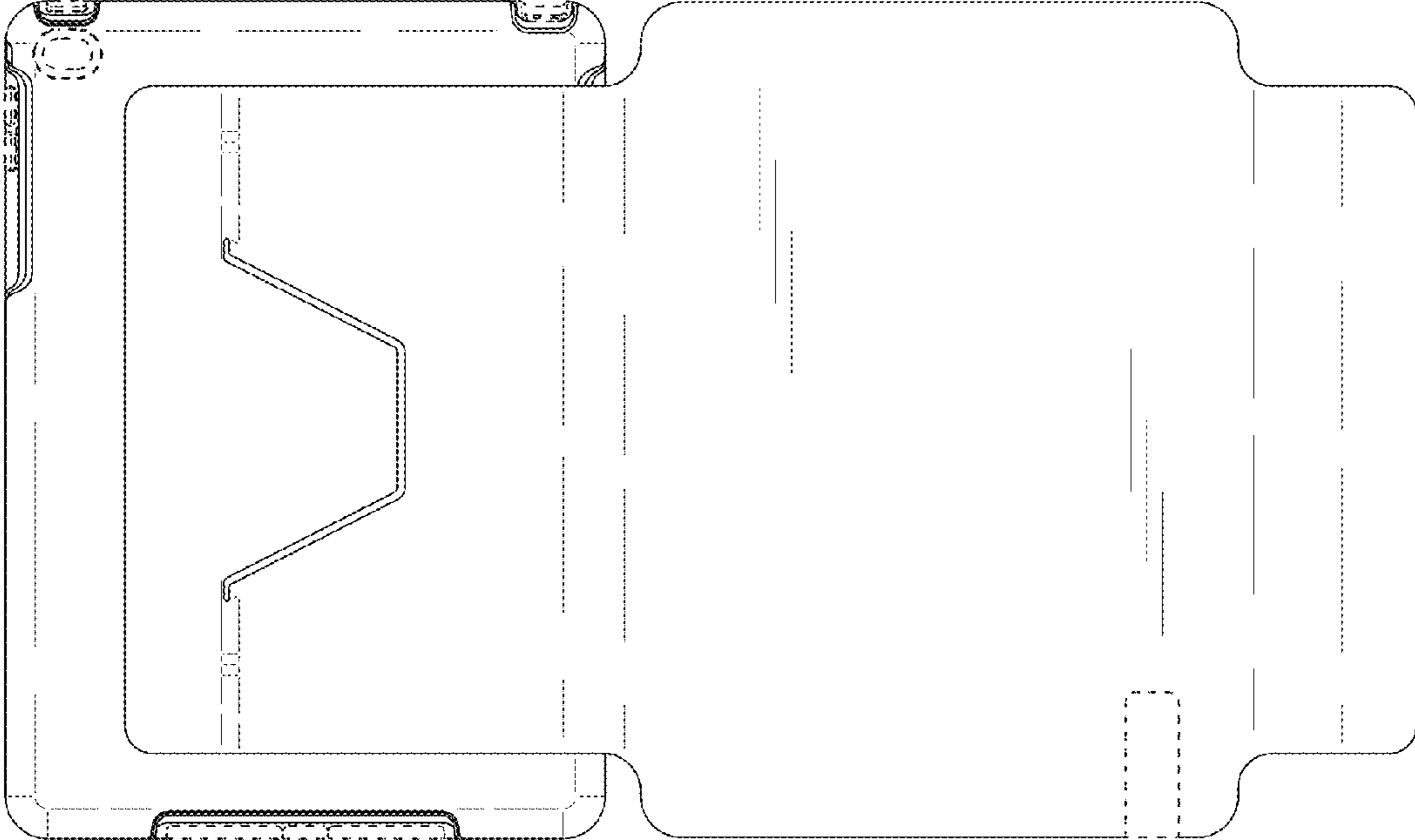


FIG. 4

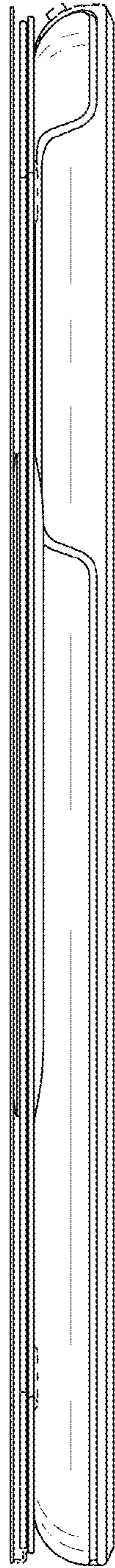


FIG. 5

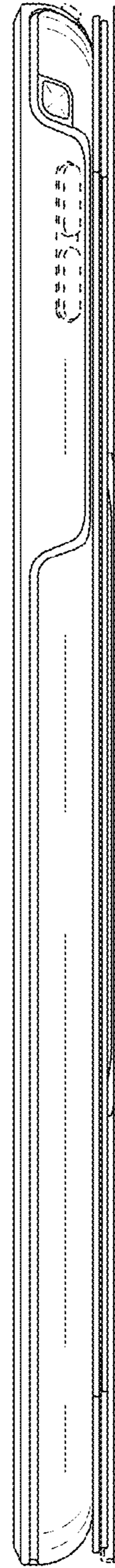


FIG. 6



FIG. 7



FIG. 8