



US00D763263S

(12) **United States Design Patent**
Wierenga

(10) **Patent No.:** **US D763,263 S**

(45) **Date of Patent:** **** Aug. 9, 2016**

(54) **DEVICE STAND**

(71) Applicant: **Griffin Technology, Inc.**, Nashville, TN (US)

(72) Inventor: **Aaron Wierenga**, Nashville, TN (US)

(73) Assignee: **Griffin Technology, Inc.**, Nashville, TN (US)

(**) Term: **14 Years**

(21) Appl. No.: **29/519,959**

(22) Filed: **Mar. 9, 2015**

(51) **LOC (10) Cl.** **14-02**

(52) **U.S. Cl.**
USPC **D14/434**

(58) **Field of Classification Search**
USPC D14/432-434, 314, 204, 420, 421, 447,
D14/217, 358, 138 R, 140, 142, 253, 356;
D13/107, 108, 146; D8/373;
248/346.03, 176.1; 361/679.41,
361/679.31, 679.32, 679.4, 679.43, 679.55,
361/679.58, 679.33; 320/107, 109,
320/112-115; 710/15, 303; 455/557;
439/347, 534
CPC H02J 7/0042; H02J 7/00; H02J 7/025;
H02J 7/0044; H02J 7/0045; H01R 31/065;
H01R 13/6675; H01M 10/44; F16M 11/10;
Y02E 60/12; Y02T 90/14; Y02T 90/122;
Y02T 90/128; Y02T 90/163; G06F 1/1654
See application file for complete search history.

(56) **References Cited**

U.S. PATENT DOCUMENTS

D416,536 S	*	11/1999	Ross	D13/107
D469,774 S	*	2/2003	Bradley	D14/434
D609,238 S	*	2/2010	Kobayashi	D14/434
D643,430 S	*	8/2011	Nuovo	D14/434
D722,964 S	*	2/2015	Regole	D13/103

* cited by examiner

Primary Examiner — Freda S Nunn

(74) *Attorney, Agent, or Firm* — Horn Kohl Intellectual Property Law, PLLC; Jason L. Hornkohl

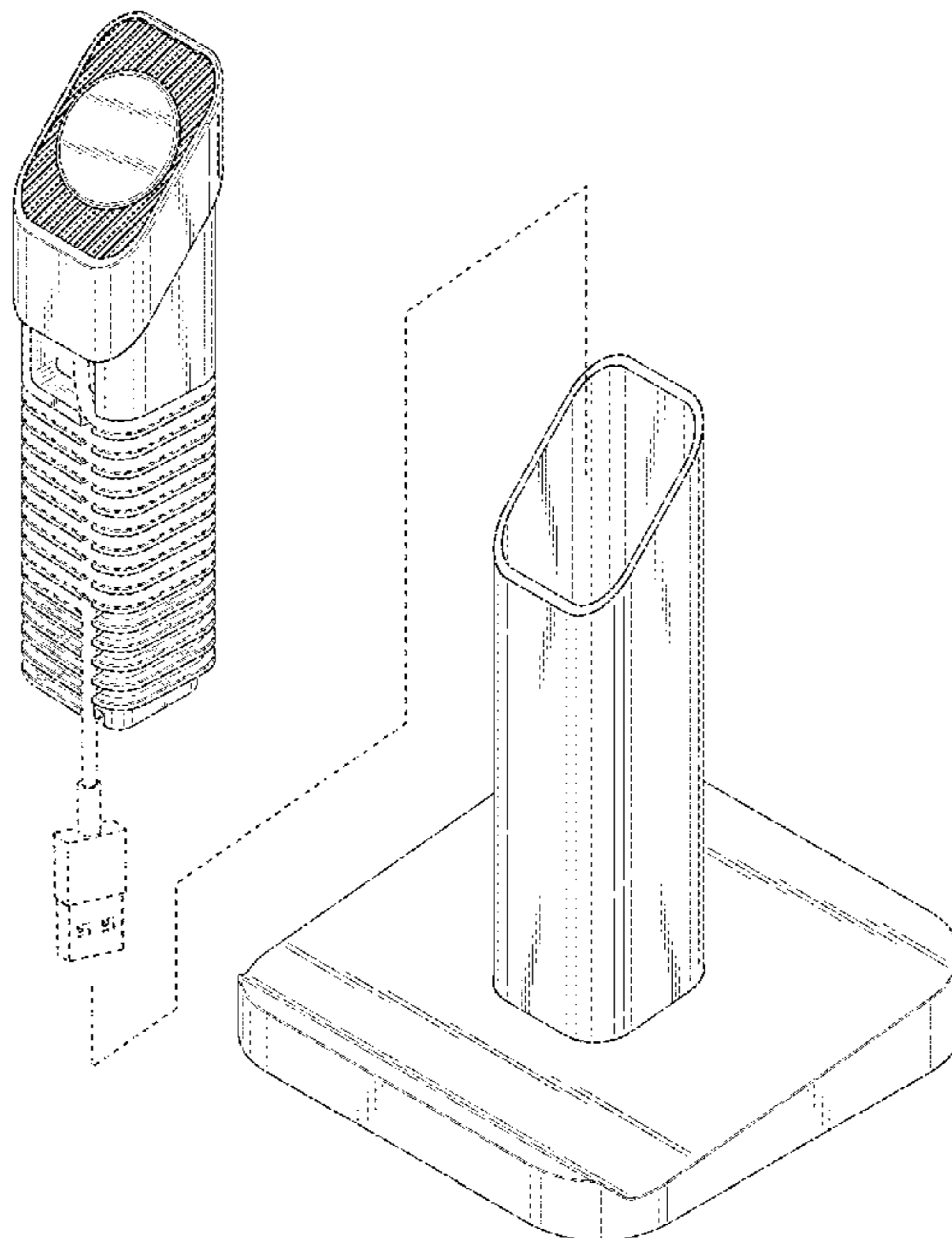
(57) **CLAIM**

The ornamental design for a device stand, as shown and described.

DESCRIPTION

FIG. 1 is an isometric front view of the new design for a device stand;
FIG. 2 is an enlarged view of area 2 shown in FIG. 1;
FIG. 3 is an isometric bottom view of the device stand;
FIG. 4 is a front view of the device stand;
FIG. 5 is a back view of the device stand;
FIG. 6 is a right side view of the device stand, the left side being a mirror image.
FIG. 7 is a top view of the device stand;
FIG. 8 is a bottom view of the device stand; and,
FIG. 9 is an isometric front view of the device stand with the top removed from the base.
Broken lines shown in the drawings are included for environment only and form no part of the claimed design.

1 Claim, 7 Drawing Sheets



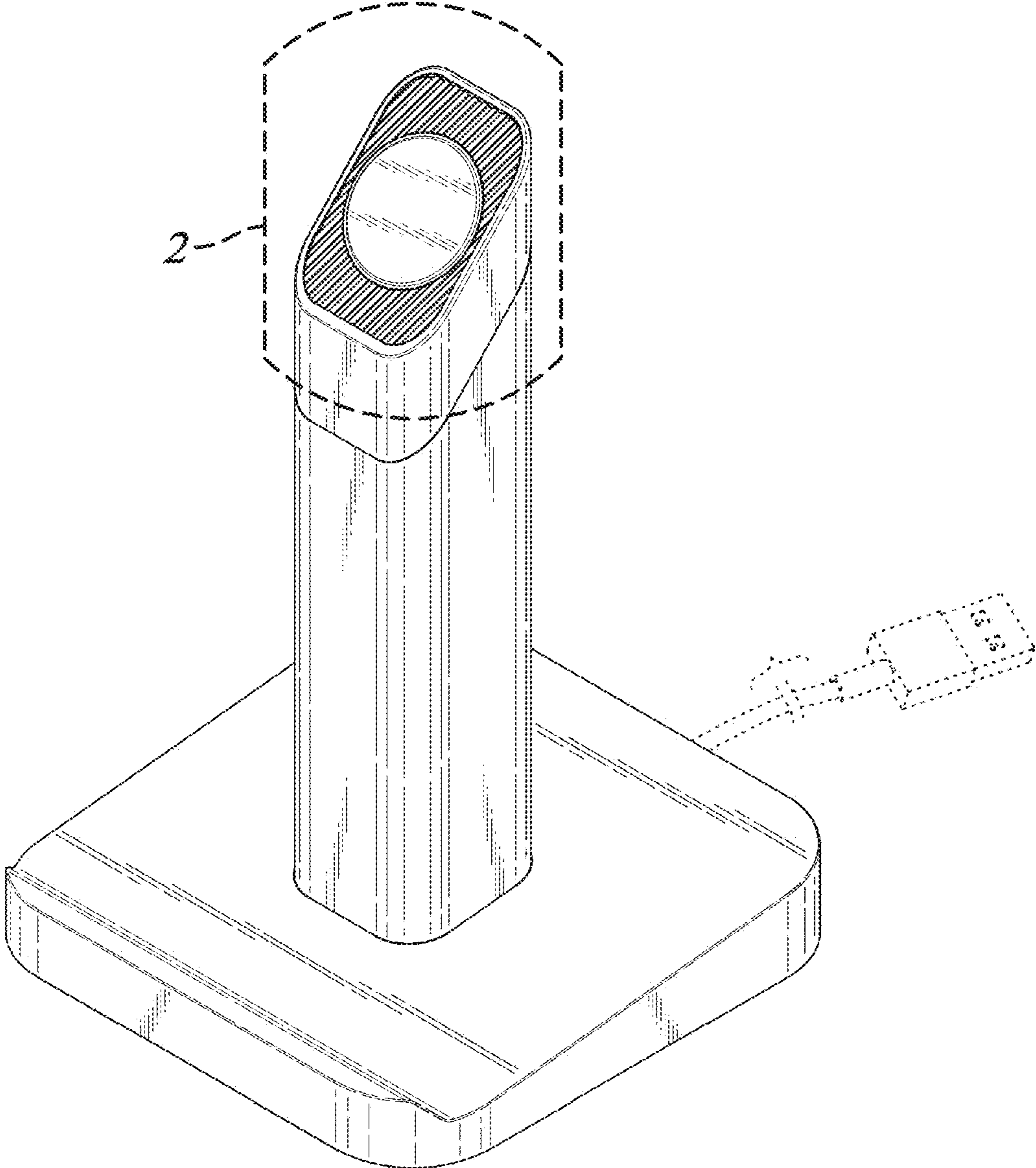


FIG. 1

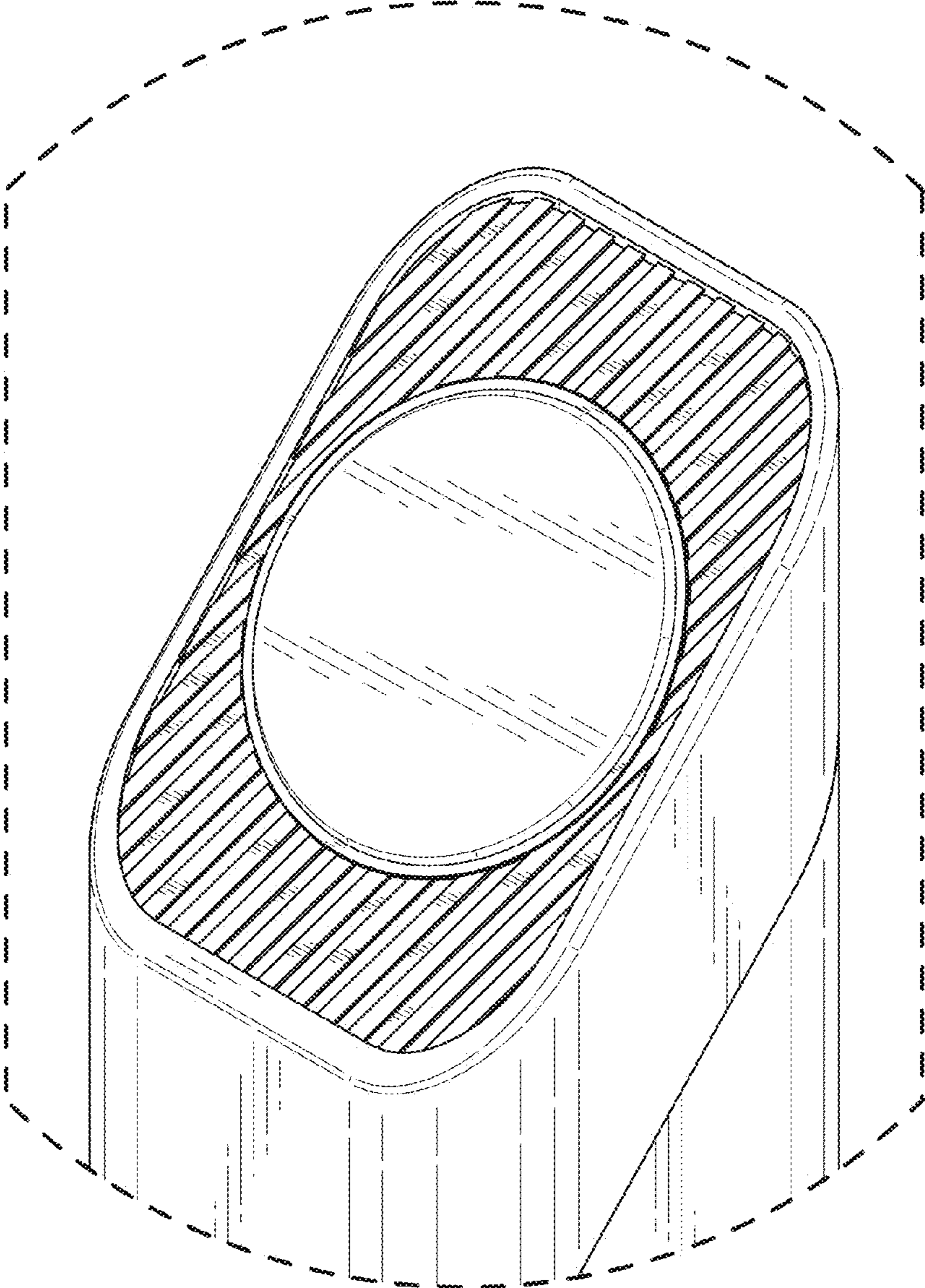


FIG. 2

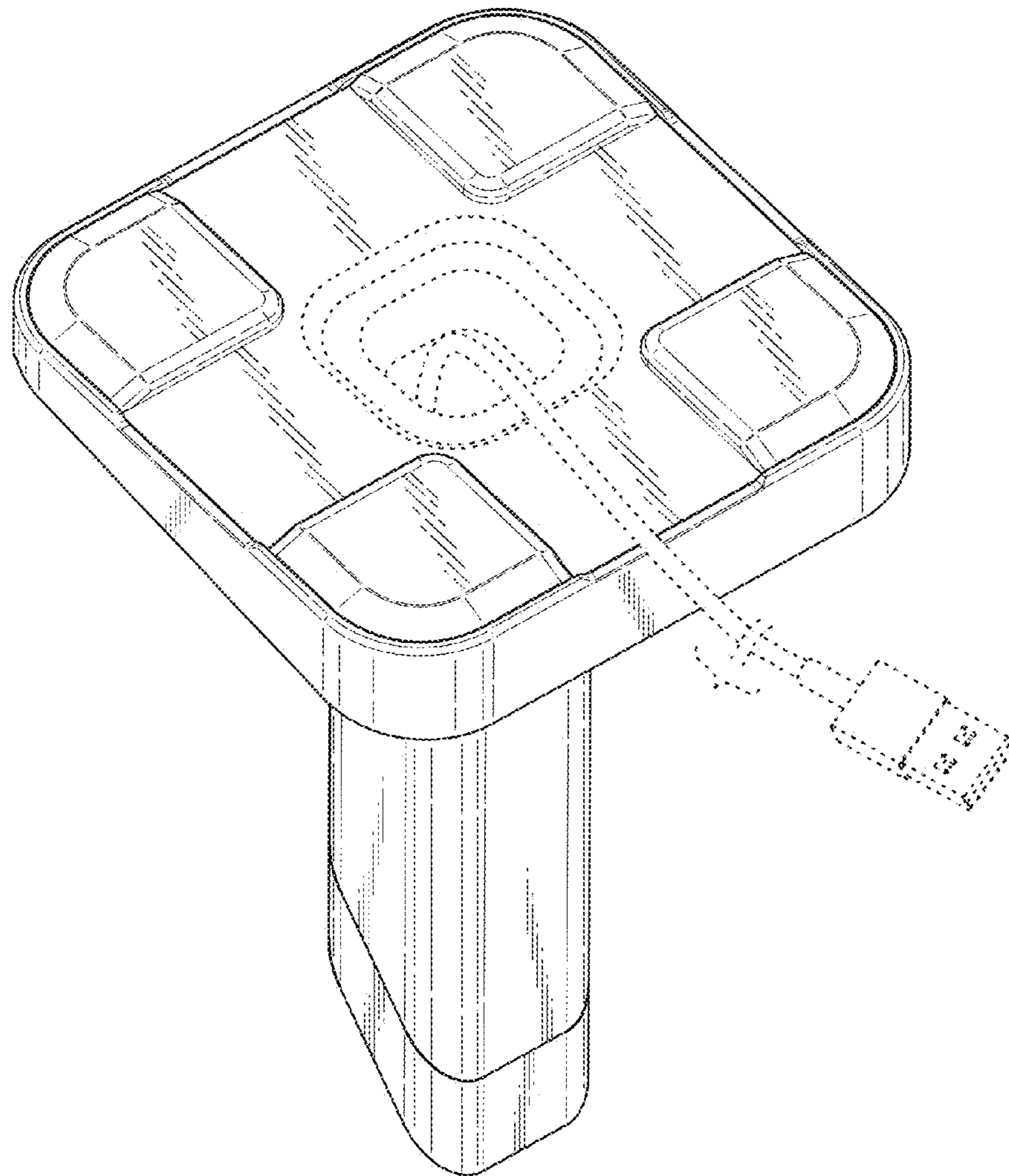


FIG. 3

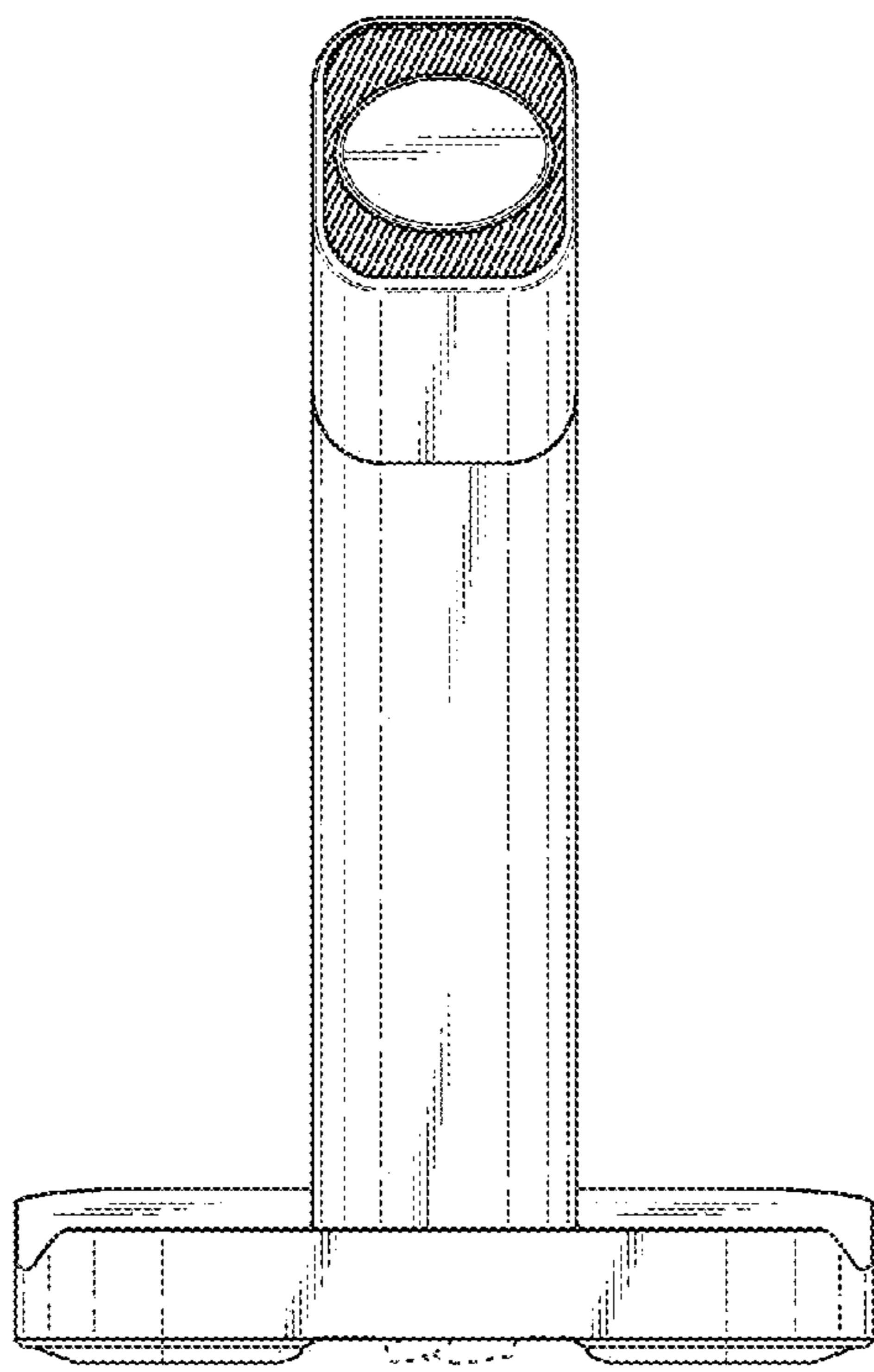


FIG. 4

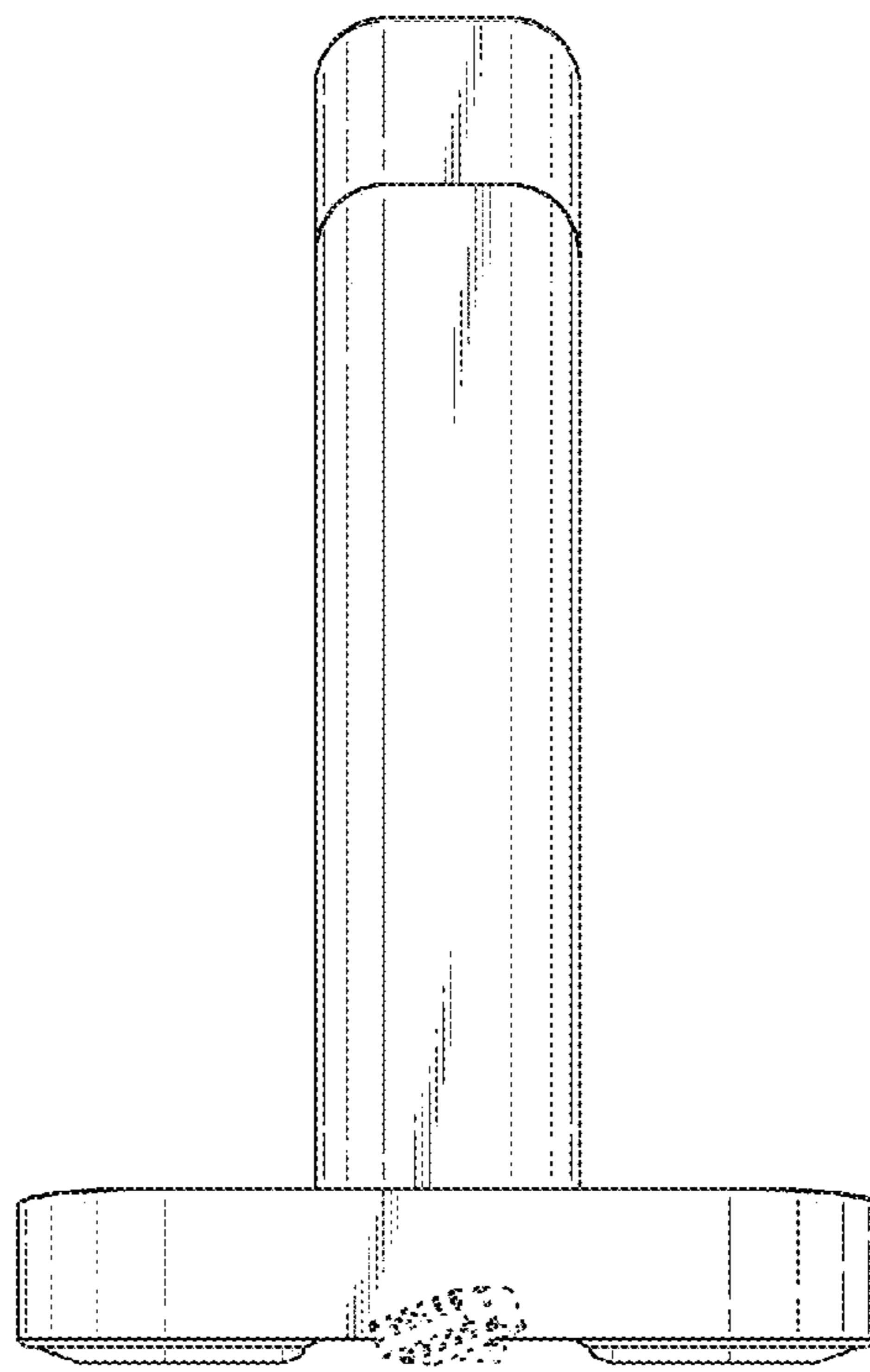


FIG. 5

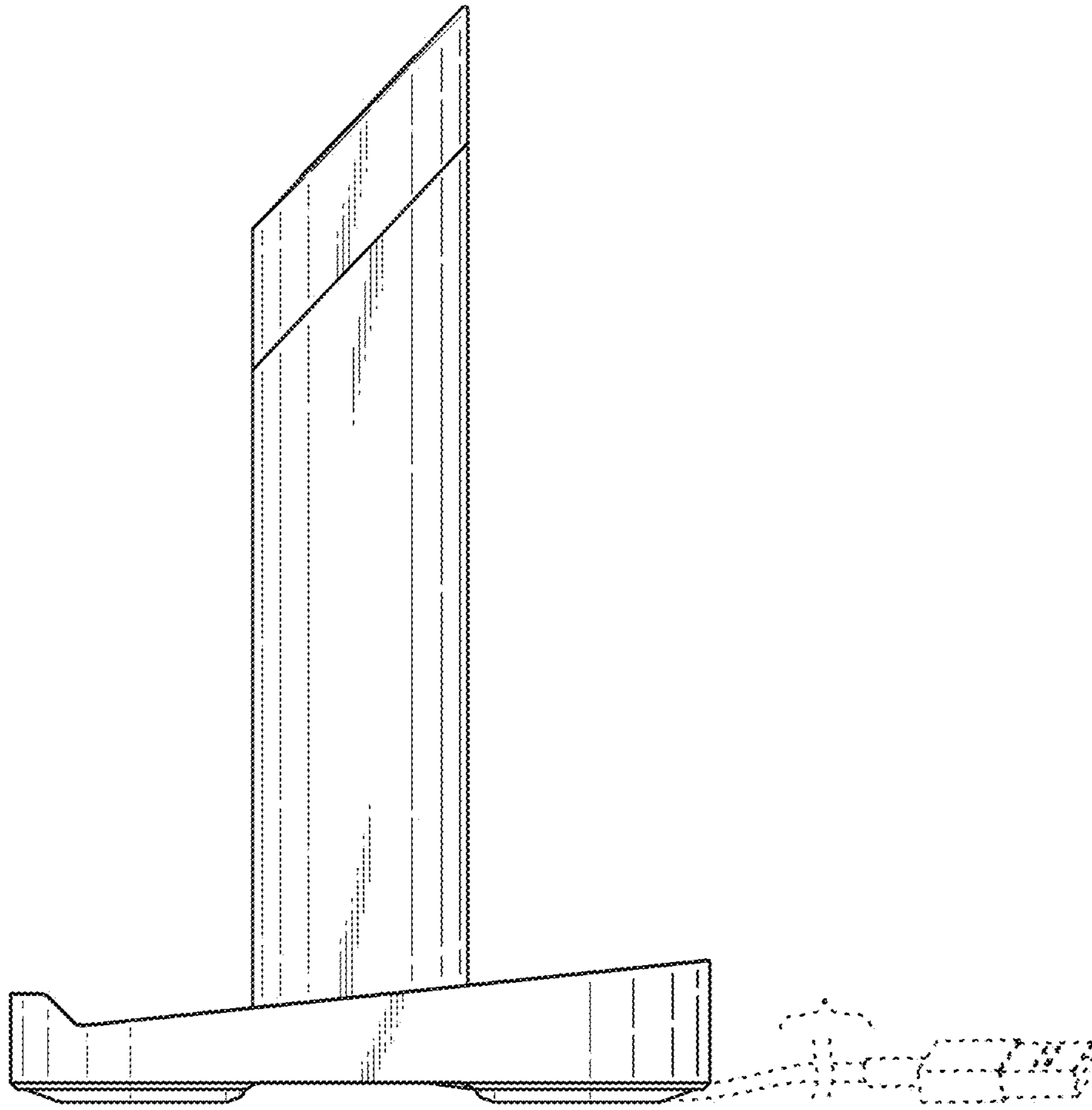


FIG. 6

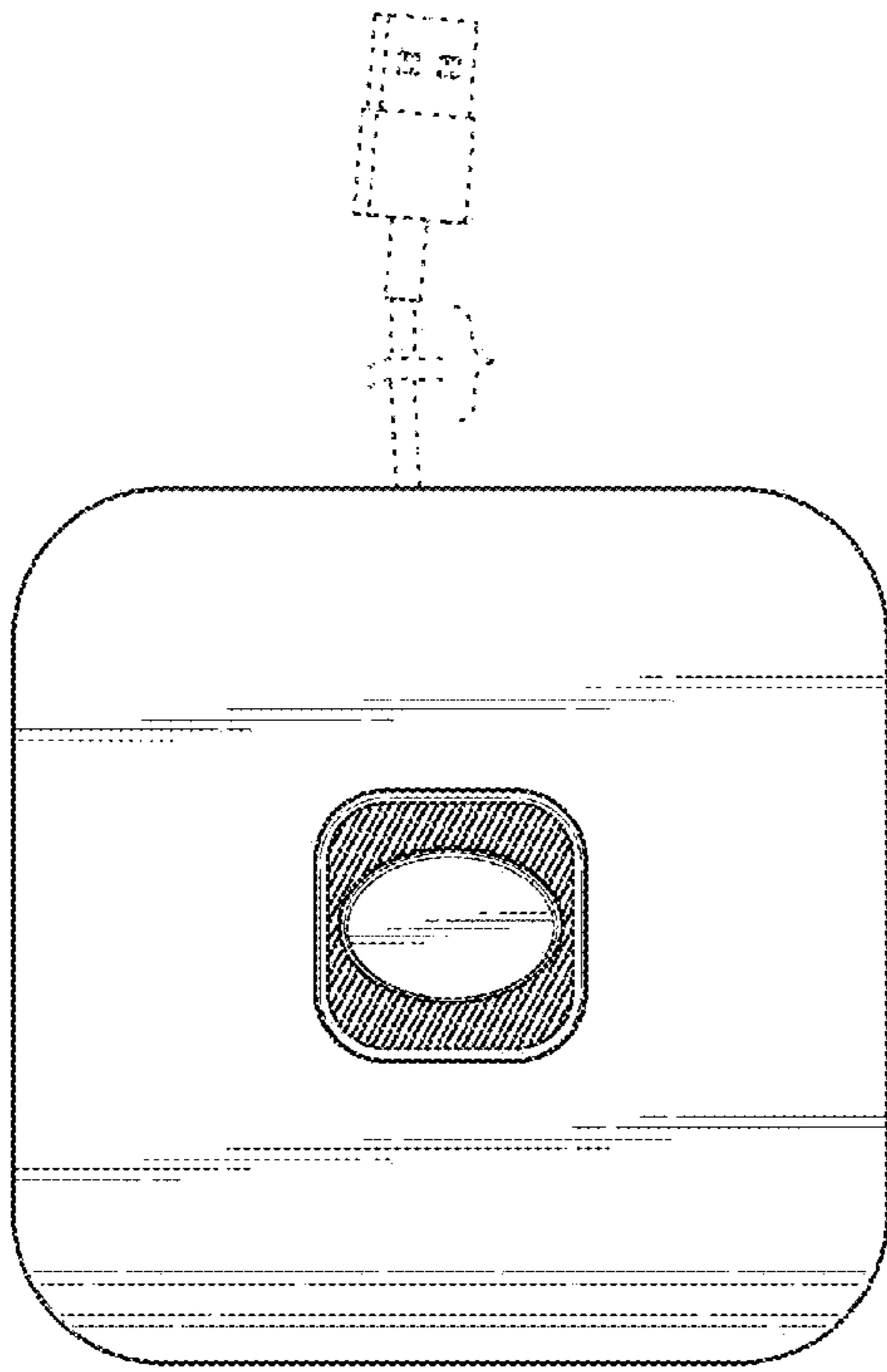


FIG. 7

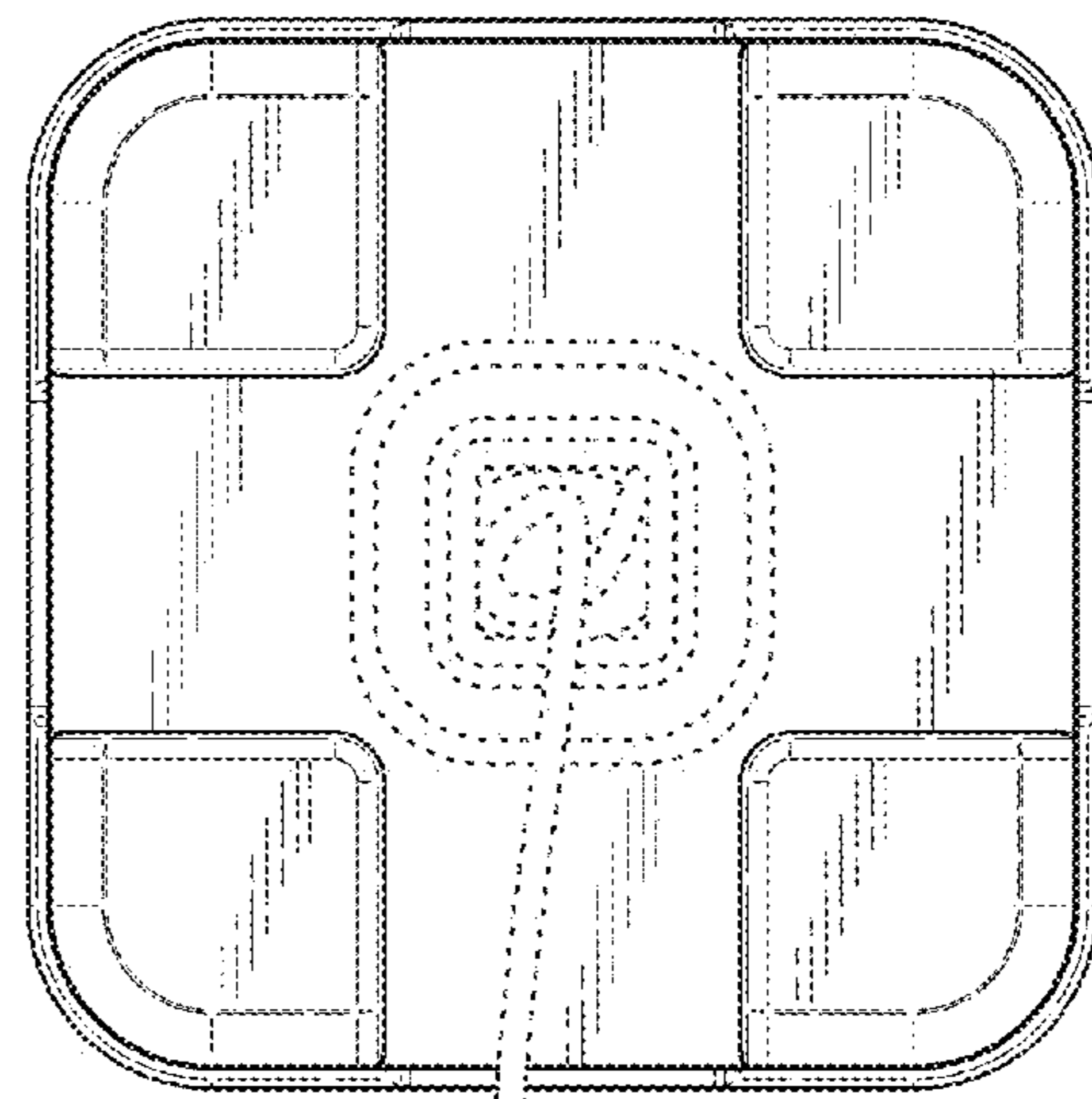


FIG. 8

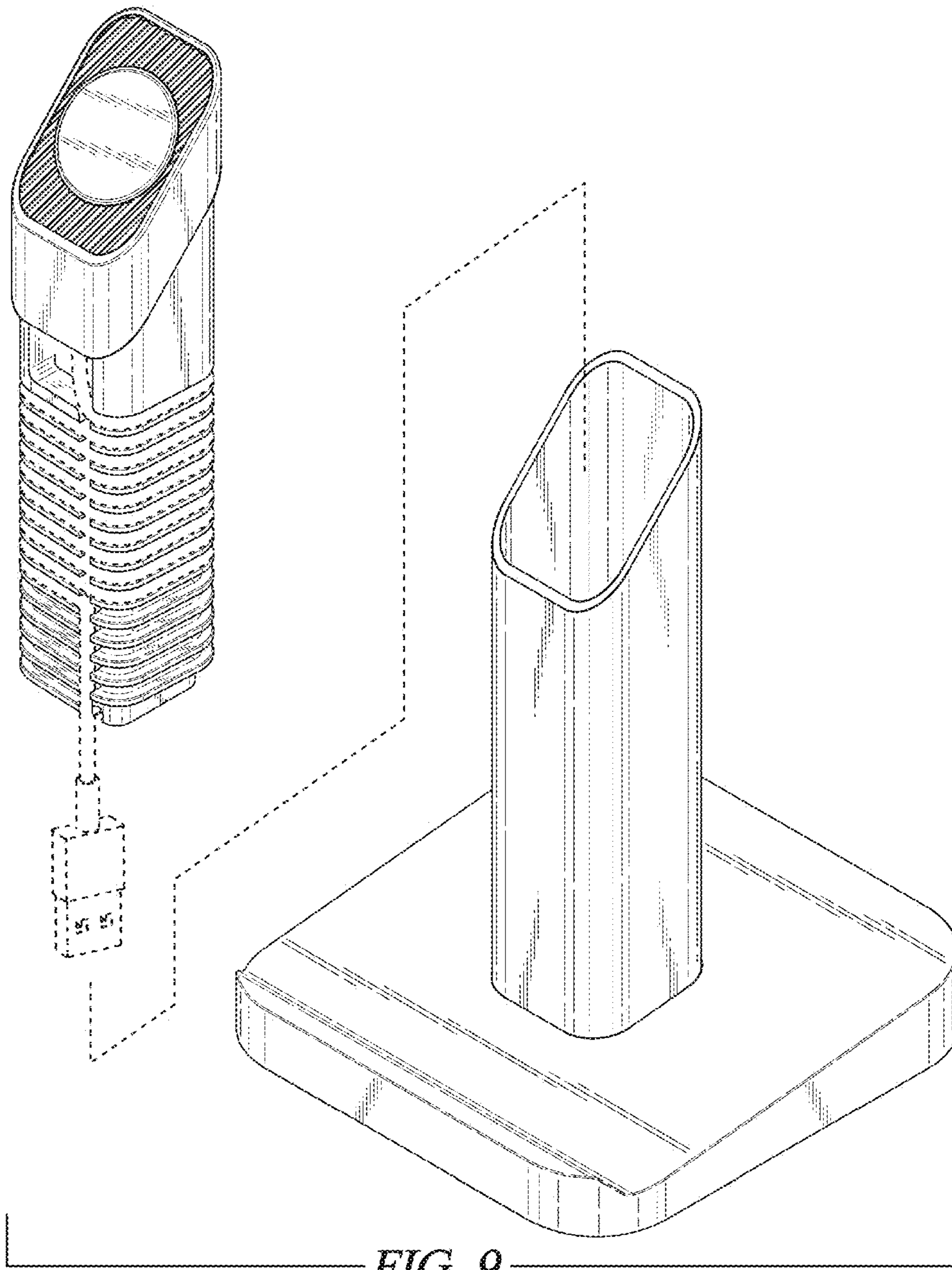


FIG. 9