



US00D763261S

(12) **United States Design Patent**
Choi et al.

(10) **Patent No.:** **US D763,261 S**
(45) **Date of Patent:** **** Aug. 9, 2016**

(54) **ERGONOMIC MOBILE COMPUTING
DEVICE**

(71) Applicant: **Symbol Technologies, Inc.**,
Schaumburg, IL (US)
(72) Inventors: **Jaeho Choi**, Whitestone, NY (US); **Ian
R. Jenkins**, Stony Brook, NY (US);
Richard M. Martin, New Hyde Park,
NY (US); **Chandra M. Nair**, Mount
Sinai, NY (US); **Konstantinos D.
Tsiopanos**, Selden, NY (US)
(73) Assignee: **Symbol Technologies, LLC**, Holtsville,
NY (US)

(**) Term: **14 Years**
(21) Appl. No.: **29/453,478**
(22) Filed: **Apr. 30, 2013**

(51) **LOC (10) Cl.** **14-02**
(52) **U.S. Cl.**
USPC **D14/426**

(58) **Field of Classification Search**
USPC D14/420, 426-430, 453, 346, 341, 347,
D14/412, 138; D13/107, 184; 358/473;
235/462.43, 462.45, 462.47, 462.48,
235/462.44, 462.46, 487, 472.01, 472.02,
235/145 A, 145 R; D10/78, 57, 2, 46, 52, 53,
D10/81; 324/426; D3/273; 710/73; D18/7;
361/679, 728, 679.56; 382/313, 321;
455/575.1, 561, 572, 41.2; 345/156,
345/168, 169, 172, 173, 87; 705/17, 18,
705/22-25; D16/206, 218, 202, 219, 208,
D16/209; 356/328; 396/419, 423, 424;
374/130, 100, 121, 102, 141, 124, 170,
374/104, 103; 702/130, 135; 348/164, 165,
348/149, 333.01, 333.11, E5.043, E5.047,
348/E5.09, 33, 82, E5.028, 347, 373, 374,
348/375; 250/330, 351, 353, 332, 334,
250/358.1, 316.1, 338.1; 600/549, 474,
600/413, 473, 200, 184
CPC G06F 1/626; G06F 1/1626; G06F 1/1656;
G06F 1/1632; G06F 1/1684; G06F 1/1635;
G06F 8/63; G06F 17/30091; G06F 9/4401;
G06K 7/10881; G06K 7/1098; G06K 7/10722;
G06K 7/1404; G06K 7/0004; G06K 7/10633;

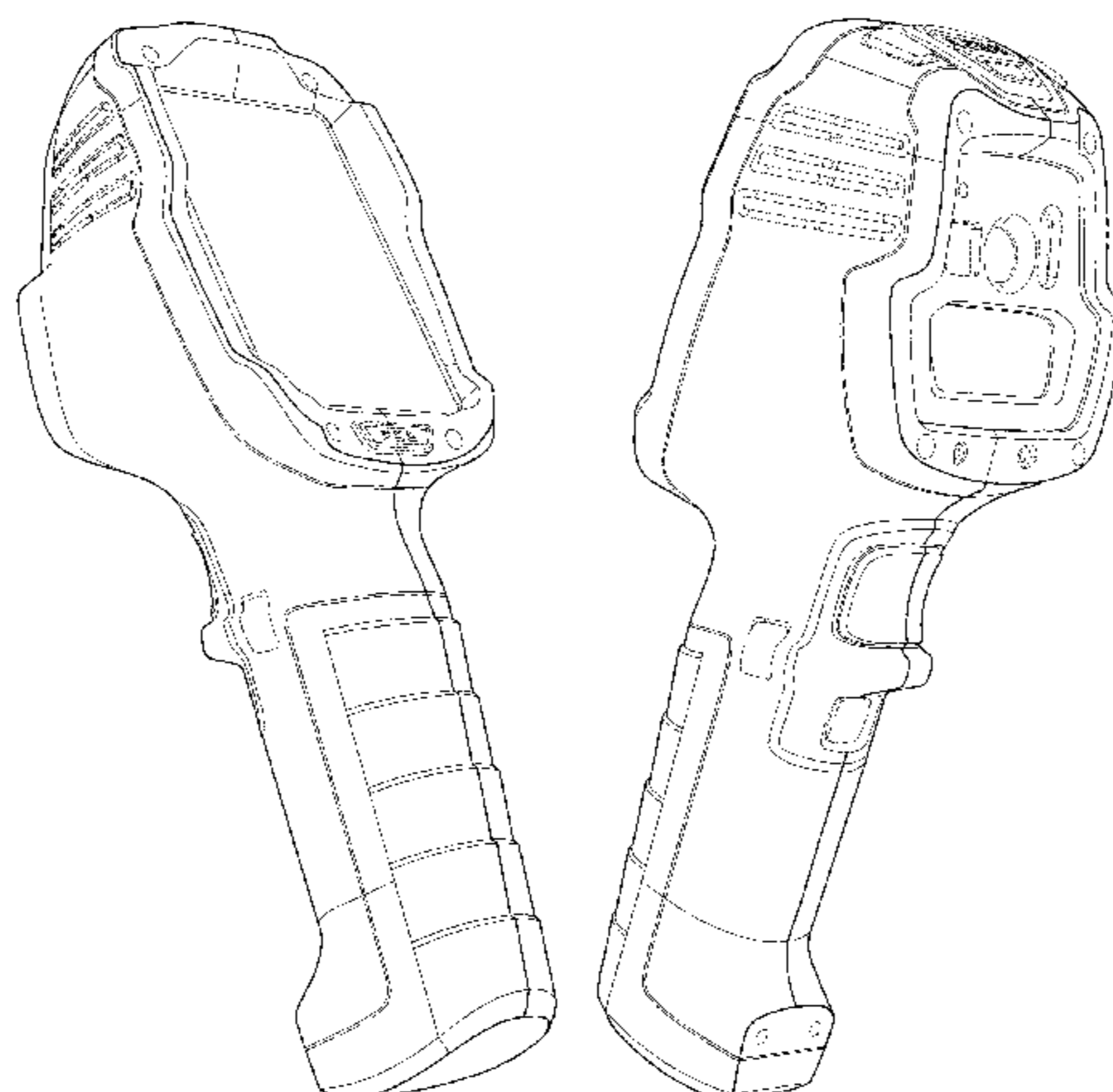
G06K 7/10851; G06K 7/1091; G06K 7/1092;
G06K 7/1093; G06K 7/10; G06K 7/109;
G06K 7/1417; G06K 9/228; G06K 17/0022;
G06K 17/00; G06K 2207/1011; G06K
2207/1013; G06K 2207/1016; G06K
2207/1018; G06K 2017/0051; G06K
2017/0067; G06K 2007/10524; G07G 1/0081;
G07G 1/009; G06Q 20/20; G06Q 20/201;
G06Q 20/202; G06Q 20/203; G06Q 20/30;
G06Q 20/32; G06Q 20/322; G06Q 20/4014;
G06Q 10/087; H04N 1/00127; H04N 1/00135;
H04N 1/00326; H04N 1/00334; H04N
1/00307; H04N 1/107; H04N 2201/0084;
H04N 2101/00; H04N 5/332; H04N 5/33;
H04N 5/2251; H04N 5/2258; H04N 5/2256;
H04N 5/23293; H04N 5/23203; H04N 5/2254;
H04N 5/2252; H04N 5/2253; H04N 5/23229;
H04N 5/3651; H04M 1/0249; H04M 1/0262;
H04M 1/0266; H04M 1/18; H04M 1/23;
H04M 1/236; H04B 1/3827; H04B 1/3833;
H04B 1/3877; H04B 1/3883; H04B 1/3888;
H04B 2001/3894; H01M 2/1066; G01J 5/025;
G01J 5/0265; G01J 5/026; G01J 5/027;
G01J 5/02; G01J 5/06; G01J 5/08; G01J 5/04;
G01J 5/12; G01J 5/00; G01J 5/18; G01J
5/0834; G01J 5/522; G01J 5/0806; G01J
5/028; G01J 2005/0077; G01J 2005/0081;
G02B 7/08; G02B 7/04; G01K 1/02; G01K
3/04; G03B 17/18; G03B 3/02; G03B 3/04;
G03B 3/10

See application file for complete search history.

(56) **References Cited**

U.S. PATENT DOCUMENTS

6,319,199 B1 * 11/2001 Sheehan A61B 1/0055
600/184
D455,750 S * 4/2002 Krantz D14/426
D466,540 S * 12/2002 Lannstedt D16/202
6,502,754 B1 1/2003 Bhatia et al.
D524,813 S * 7/2006 Nakajima D14/426
7,093,974 B2 * 8/2006 Kienitz G01J 5/02
348/E5.026
D540,838 S 4/2007 Aronsson et al.



US D763,261 S

Page 2

7,236,243	B2 *	6/2007	Beecroft	G01J 3/02 356/328	2013/0083199	A1 *	4/2013	Choi	H04N 5/23212 348/164
D574,838	S *	8/2008	Palmer	D14/426	2013/0155188	A1 *	6/2013	Heinke	G01C 17/38 348/46
D583,263	S *	12/2008	Sebban	D10/57	2013/0162835	A1 *	6/2013	Forland	H04N 5/332 348/164
D585,927	S *	2/2009	Sheard	D16/206	2013/0188058	A1 *	7/2013	Nguyen	G01J 5/02 348/164
D594,361	S *	6/2009	Miller	D10/104.1	2014/0002668	A1 *	1/2014	Nguyen	G01J 5/0205 348/164
D599,392	S *	9/2009	Hamrelius	D16/206	2014/0014728	A1 *	1/2014	Choi	G06K 7/0004 235/470
7,746,511	B2	6/2010	Hamilton et al.		2014/0028854	A1 *	1/2014	Heinke	H04N 5/33 348/164
D623,754	S *	9/2010	Tuhkanen	D24/186	2014/0042319	A1 *	2/2014	Pickett	H04N 5/33 250/330
7,867,019	B1	1/2011	Loukusa et al.		2014/0160298	A1 *	6/2014	Johnson	H04N 5/33 348/164
8,079,951	B2 *	12/2011	Yokota	A61B 1/042 600/120	2014/0160299	A1 *	6/2014	Mumaw	H04N 5/33 348/164
D658,222	S	4/2012	Elrod et al.		2014/0184805	A1 *	7/2014	Schmidt	H04N 5/33 348/164
D665,440	S	8/2012	Sigward		2014/0267353	A1 *	9/2014	Schmidt	G06T 11/001 345/589
D666,928	S *	9/2012	Elrod	D10/57	2014/0267879	A1 *	9/2014	Loukusa	G03B 17/18 348/345
D667,040	S *	9/2012	Holmes	D16/206	2015/0022667	A1 *	1/2015	McManus	H04N 5/23216 348/164
D668,561	S *	10/2012	Dunkin	D10/57	2015/0098663	A1 *	4/2015	Heinke	H04N 5/23216 382/284
D671,121	S *	11/2012	Schickling	D14/426	* cited by examiner				
D677,298	S *	3/2013	Hallgren	D16/206	<i>Primary Examiner</i> — Susan Moon Lee				
D710,424	S *	8/2014	Hallgren	D16/206	CLAIM				
D723,605	S *	3/2015	Palm	D16/206	(57) The ornamental design for an ergonomic mobile computing device, as shown and described.				
D727,393	S *	4/2015	Elrod	D16/206	DESCRIPTION				
D729,247	S *	5/2015	Hackett	D14/426	FIG. 1 is a front perspective view of an ergonomic mobile computing device;				
D731,909	S *	6/2015	Weakly	D10/81	FIG. 2 is a rear perspective view thereof;				
D733,783	S *	7/2015	Wu	D16/206	FIG. 3 is a front view thereof;				
D741,390	S *	10/2015	Mayeur	D16/206	FIG. 4 is a rear view thereof;				
2002/0162963	A1 *	11/2002	Lannestedt	G01J 5/02 230/351	FIG. 5 is a first side view thereof;				
2004/0124359	A1 *	7/2004	Hamrelius	G01J 5/08 250/341.6	FIG. 6 is a second side view thereof;				
2005/0024495	A1 *	2/2005	Hamrelius	H04N 5/2251 348/149	FIG. 7 is a top view thereof; and,				
2007/0106121	A1 *	5/2007	Yokota	A61B 1/00052 600/188	FIG. 8 is a bottom view thereof.				
2007/0131774	A1 *	6/2007	Celestini	G06K 7/10881 235/462.45	Broken lines and unshaded portions contained within broken lines depict portions of the device that are environmentally illustrative only and form no part of the claimed design.				
2008/0116093	A1 *	5/2008	Felten	A61B 1/00039 206/316.2	1 Claim, 7 Drawing Sheets				
2009/0102925	A1 *	4/2009	Sheard	H04N 5/2252 348/164					
2009/0109283	A1 *	4/2009	Scott	H05K 5/0017 348/65					
2009/0225159	A1 *	9/2009	Schneider	A61B 1/00124 348/82					
2010/0046577	A1	2/2010	Sheard et al.						
2010/0101569	A1 *	4/2010	Kim	A61B 1/00052 128/203.12					
2010/0148066	A1 *	6/2010	Stratmann	H04N 5/232 250/330					
2010/0270469	A1 *	10/2010	Johnson	H04N 5/2254 250/330					
2011/0121978	A1 *	5/2011	Schworer	G01J 5/02 340/588					
2012/0224067	A1 *	9/2012	Stuart	G06F 17/30265 348/164					
2012/0314083	A1 *	12/2012	Ratliff	H04N 5/2251 348/164					
2012/0314084	A1 *	12/2012	Lammert	G01J 5/02 348/164					

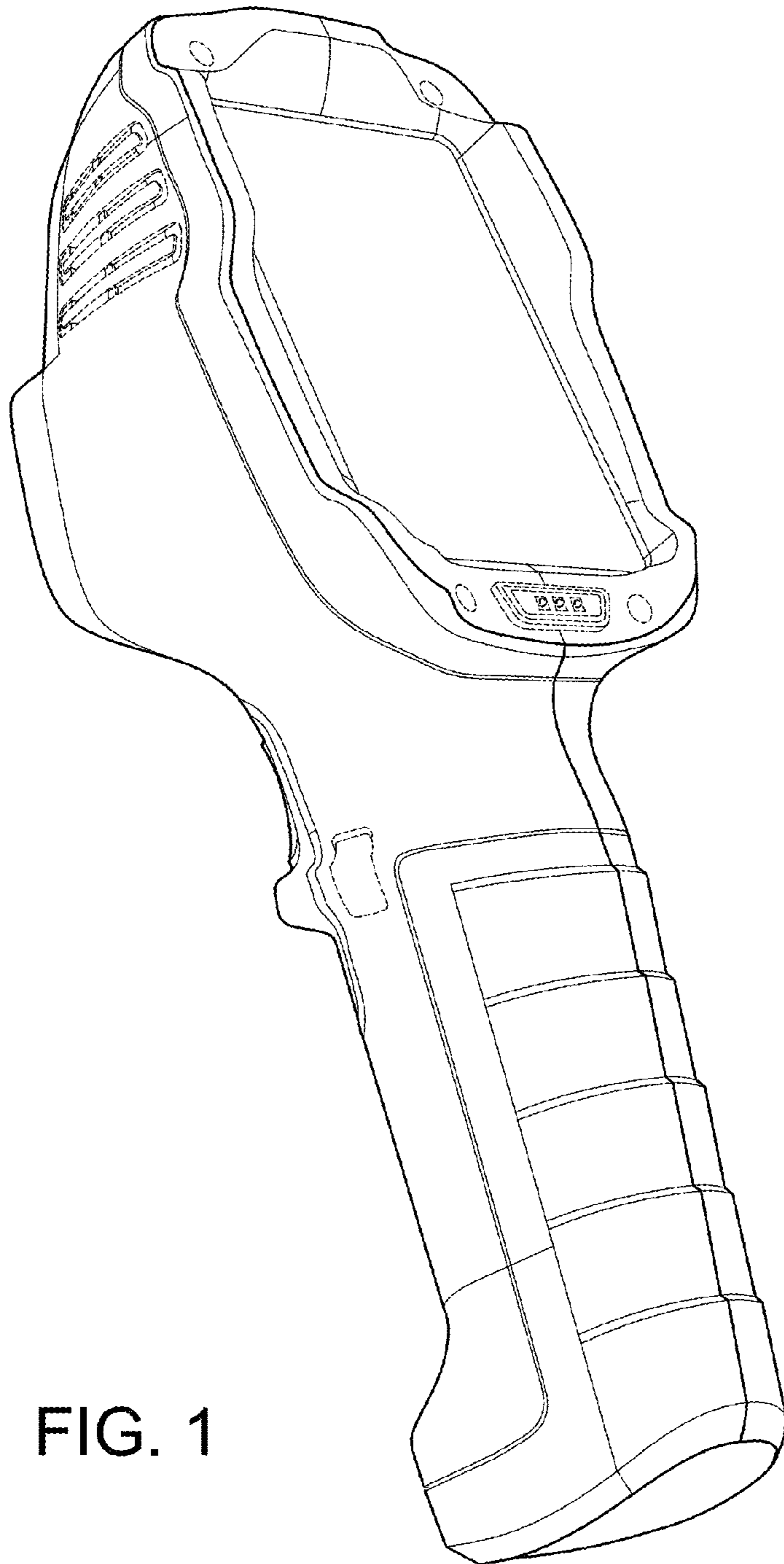


FIG. 1

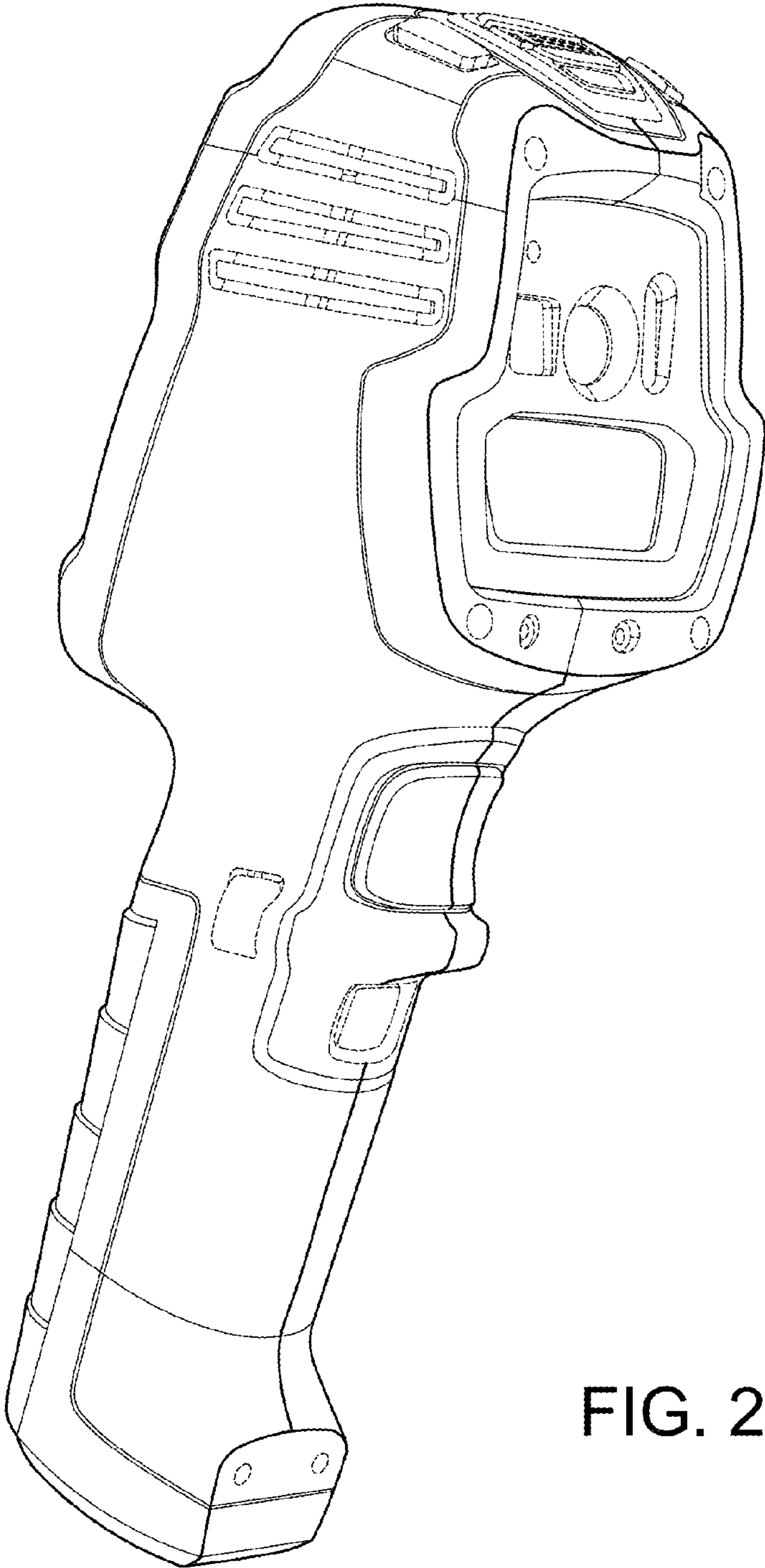


FIG. 2

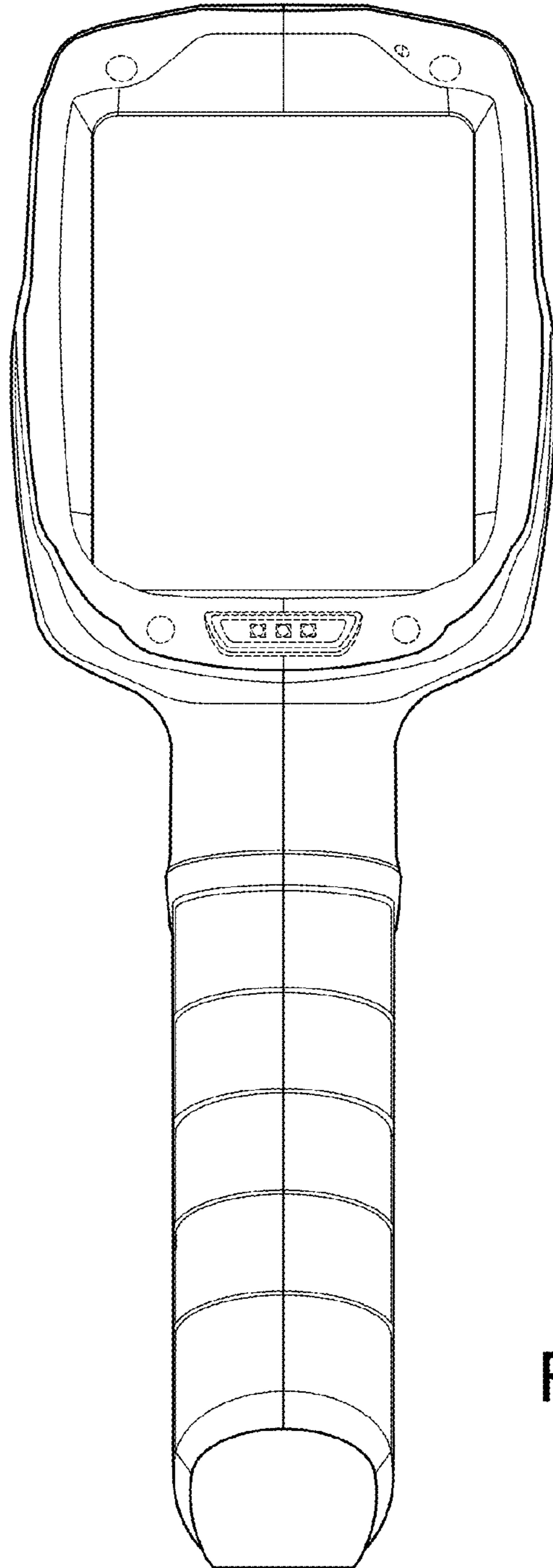


FIG. 3

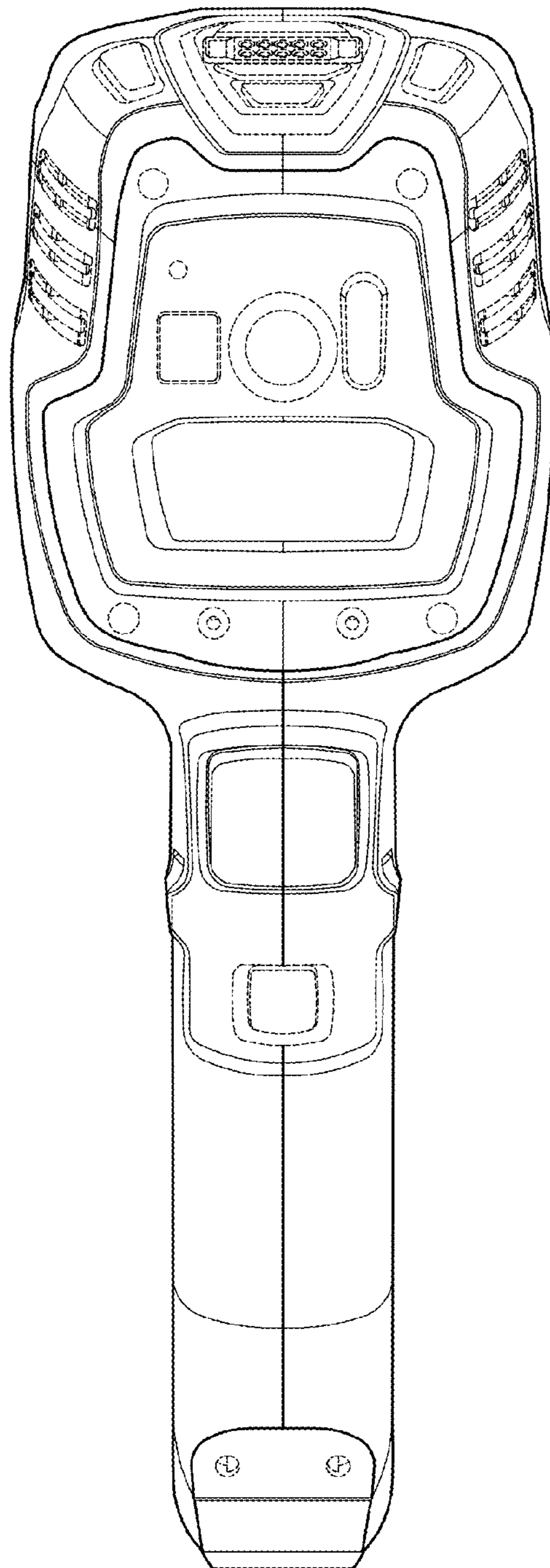


FIG. 4

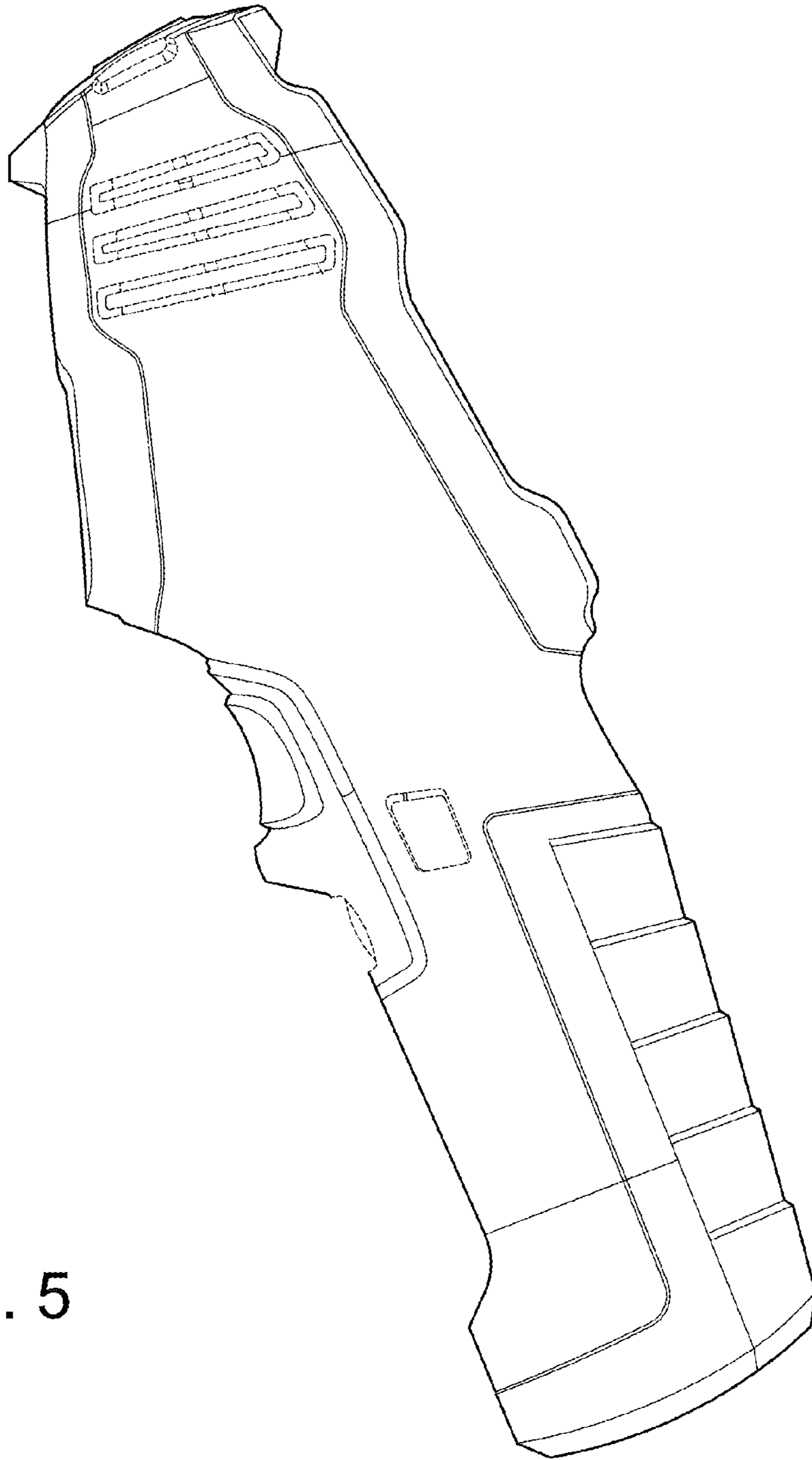


FIG. 5

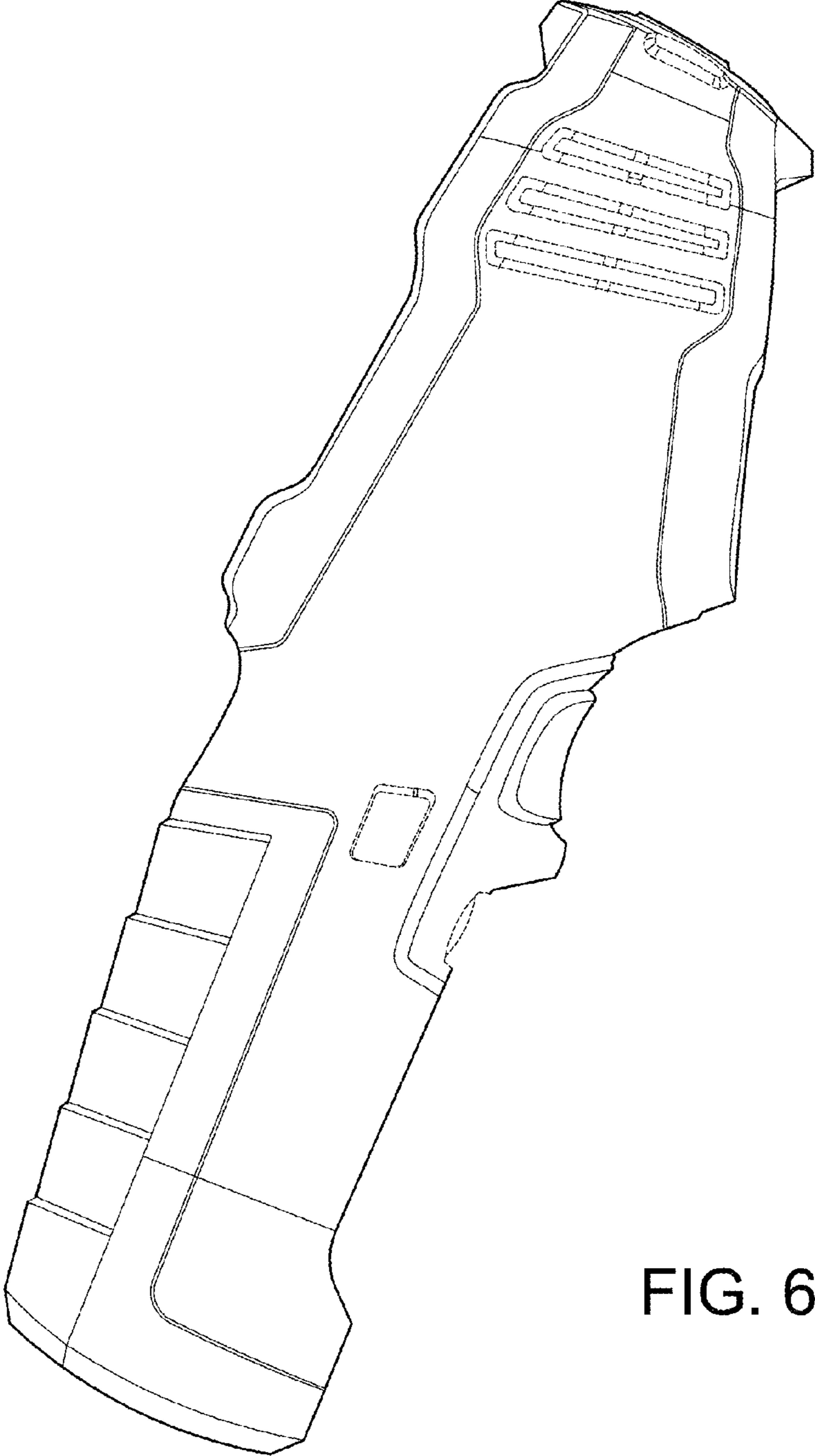


FIG. 6

FIG. 7

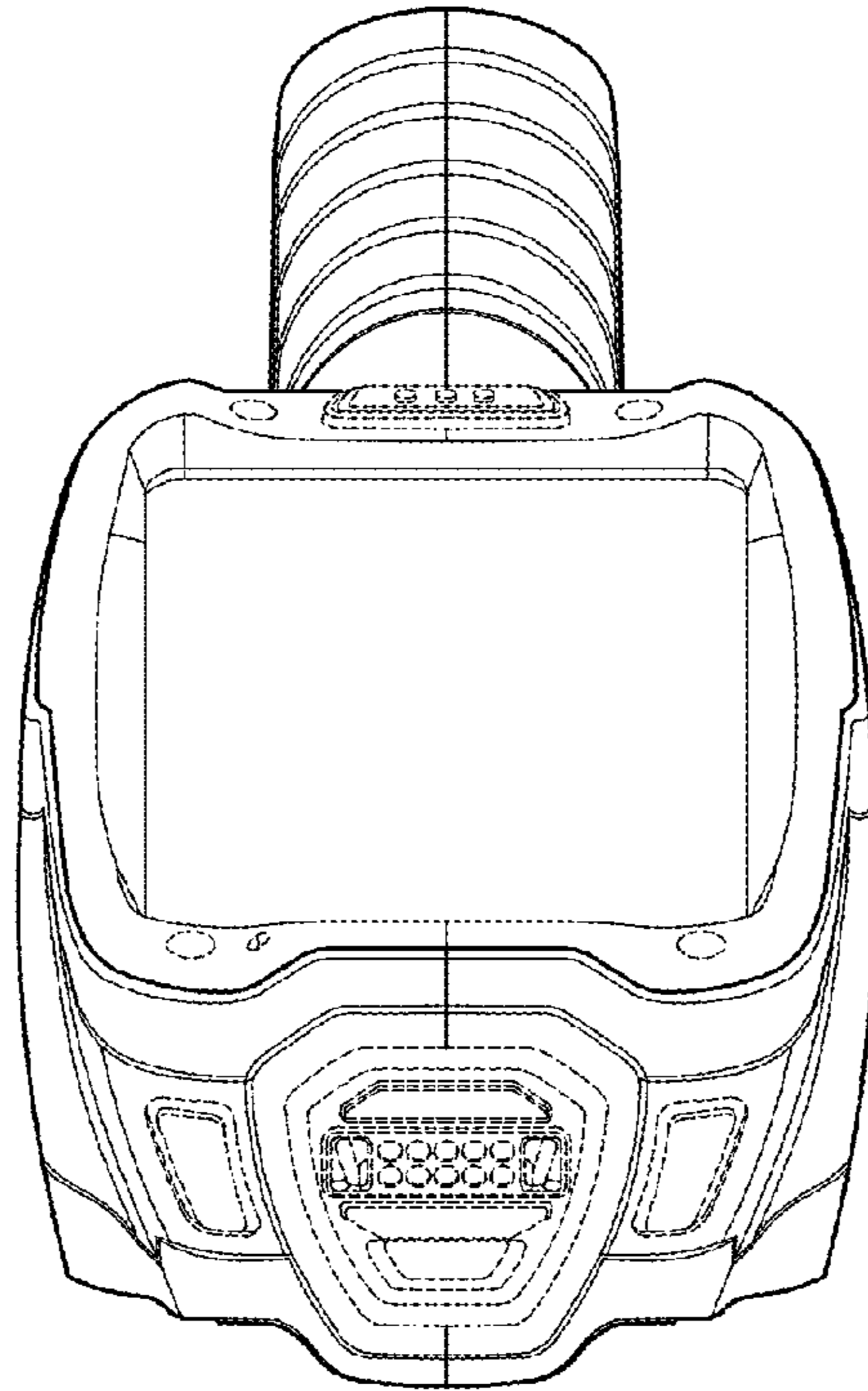


FIG. 8

