



US00D763259S

(12) **United States Design Patent**  
**Lee et al.**

(10) **Patent No.:** **US D763,259 S**  
(45) **Date of Patent:** **\*\* Aug. 9, 2016**

(54) **MONITOR**

(71) Applicant: **Dell Products L.P.**, Round Rock, TX  
(US)

(72) Inventors: **Yun Qin Lee**, Singapore (SG); **Etienne Thetard**, Singapore (SG)

(73) Assignee: **Dell Products L.P.**, Round Rock, TX  
(US)

(\*\*) Term: **14 Years**

(21) Appl. No.: **29/470,867**

(22) Filed: **Oct. 25, 2013**

(51) **LOC (10) Cl.** ..... **14-02**

(52) **U.S. Cl.**  
USPC ..... **D14/375**

(58) **Field of Classification Search**  
USPC ..... D14/125–135, 371–382, 336, 448–452  
CPC ..... G06F 1/1601; G06F 2200/1612; G06F  
1/1616; G06F 1/1677; G06F 1/1681; F16M  
11/2021; F16M 11/04; F16M 11/041; F16M  
11/105; F16M 11/12; F16M 11/18; F16M  
11/22; F16M 11/24; F16M 2200/024; F16M  
2200/068; F16M 11/02; F16M 11/14; F16M  
11/2064; F16M 11/42; F16M 13/00  
See application file for complete search history.

(56) **References Cited**

**U.S. PATENT DOCUMENTS**

7,280,665	B2	10/2007	Tamura et al.	
D558,200	S *	12/2007	Tsai	D14/375
D558,201	S *	12/2007	Park et al.	D14/375
D572,682	S	7/2008	Won et al.	
D599,755	S *	9/2009	Jin et al.	D14/126
D601,146	S *	9/2009	Chueh et al.	D14/375

D602,453	S *	10/2009	Ding et al.	D14/126
D647,898	S	11/2011	Haller et al.	
D653,254	S	1/2012	Lu et al.	
D672,770	S	12/2012	Shih et al.	
D694,206	S *	11/2013	Seo et al.	D14/126
D714,289	S *	9/2014	Shoda et al.	D14/371
D724,040	S *	3/2015	Chan	D14/126
D726,717	S *	4/2015	Lee et al.	D14/371
RE45,547	E *	6/2015	Andre et al.	D14/375
2005/0088808	A1 *	4/2005	Michoux et al.	361/681
2006/0076463	A1 *	4/2006	Drew	248/121
2006/0175514	A1 *	8/2006	Yen	248/371
2013/0044411	A1	2/2013	Zhen et al.	

\* cited by examiner

*Primary Examiner* — Susan Bennett Hattan

*Assistant Examiner* — Brett Miller

(74) *Attorney, Agent, or Firm* — Terrile, Cannatti, Chambers & Holland, LLP; Stephen A. Terrile

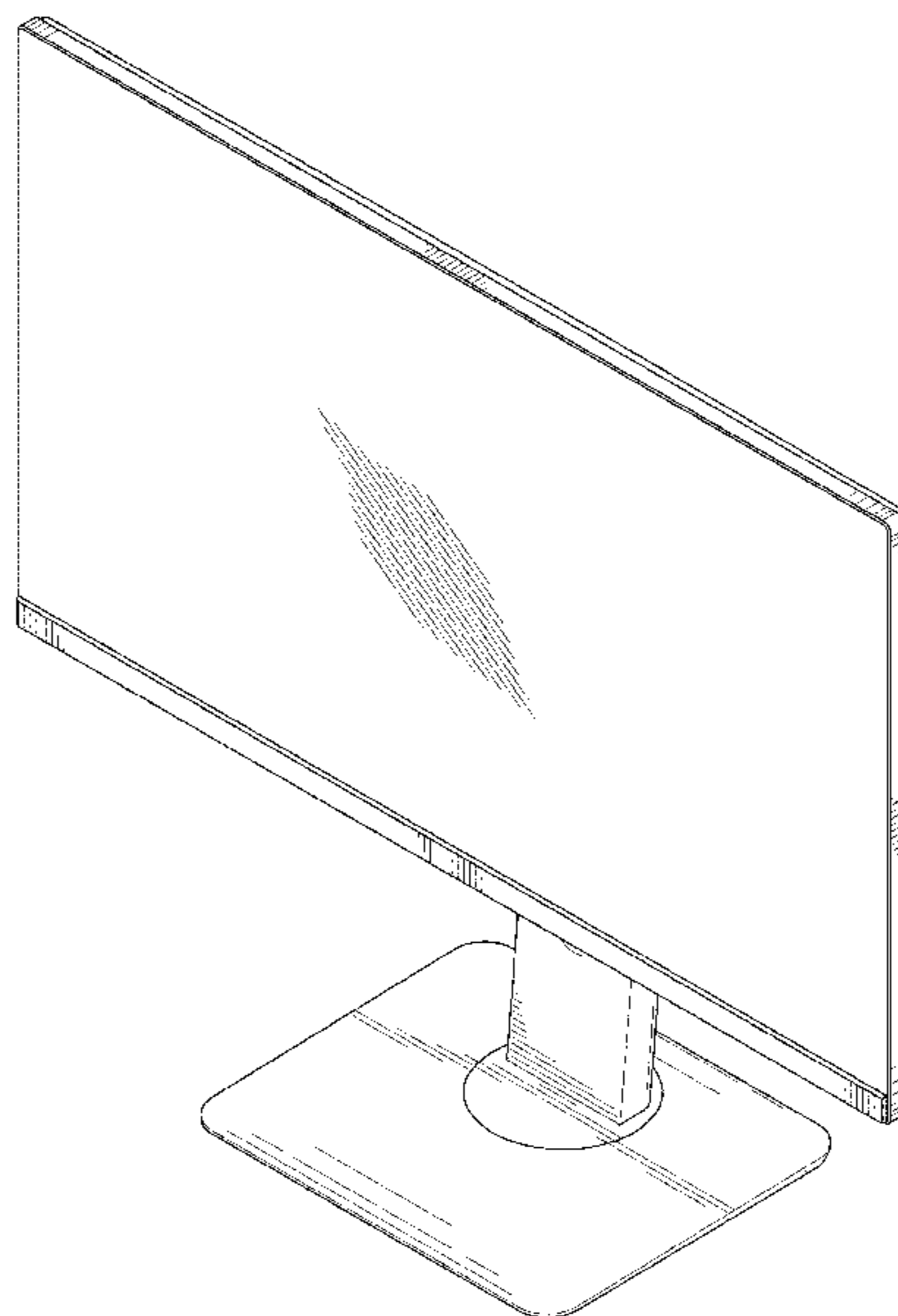
(57) **CLAIM**

We claim the ornamental design for a monitor, as shown and described.

**DESCRIPTION**

FIG. 1 is a front perspective view of the monitor comprising the present invention;  
FIG. 2 is a front view thereof;  
FIG. 3 is a rear view thereof;  
FIG. 4 is a left side view thereof;  
FIG. 5 is a right side view thereof;  
FIG. 6 is a top view thereof;  
FIG. 7 is a bottom view thereof;  
FIG. 8 is a rear perspective view thereof; and,  
FIG. 9 is a front perspective view of adjacent monitor.  
Broken lines shown in the drawings illustrate portions of the monitor, and form no part of the claimed design.

**1 Claim, 7 Drawing Sheets**



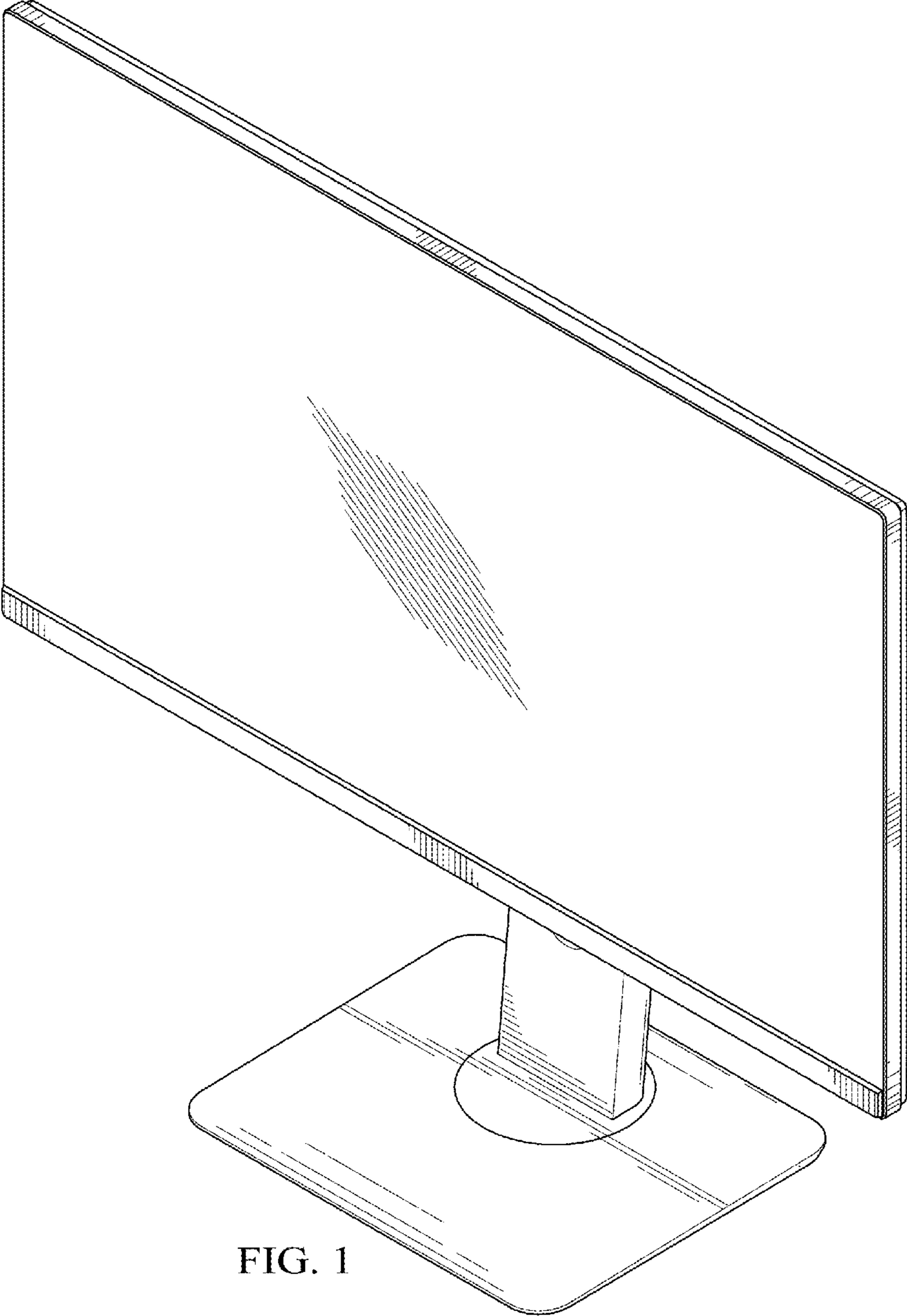


FIG. 1

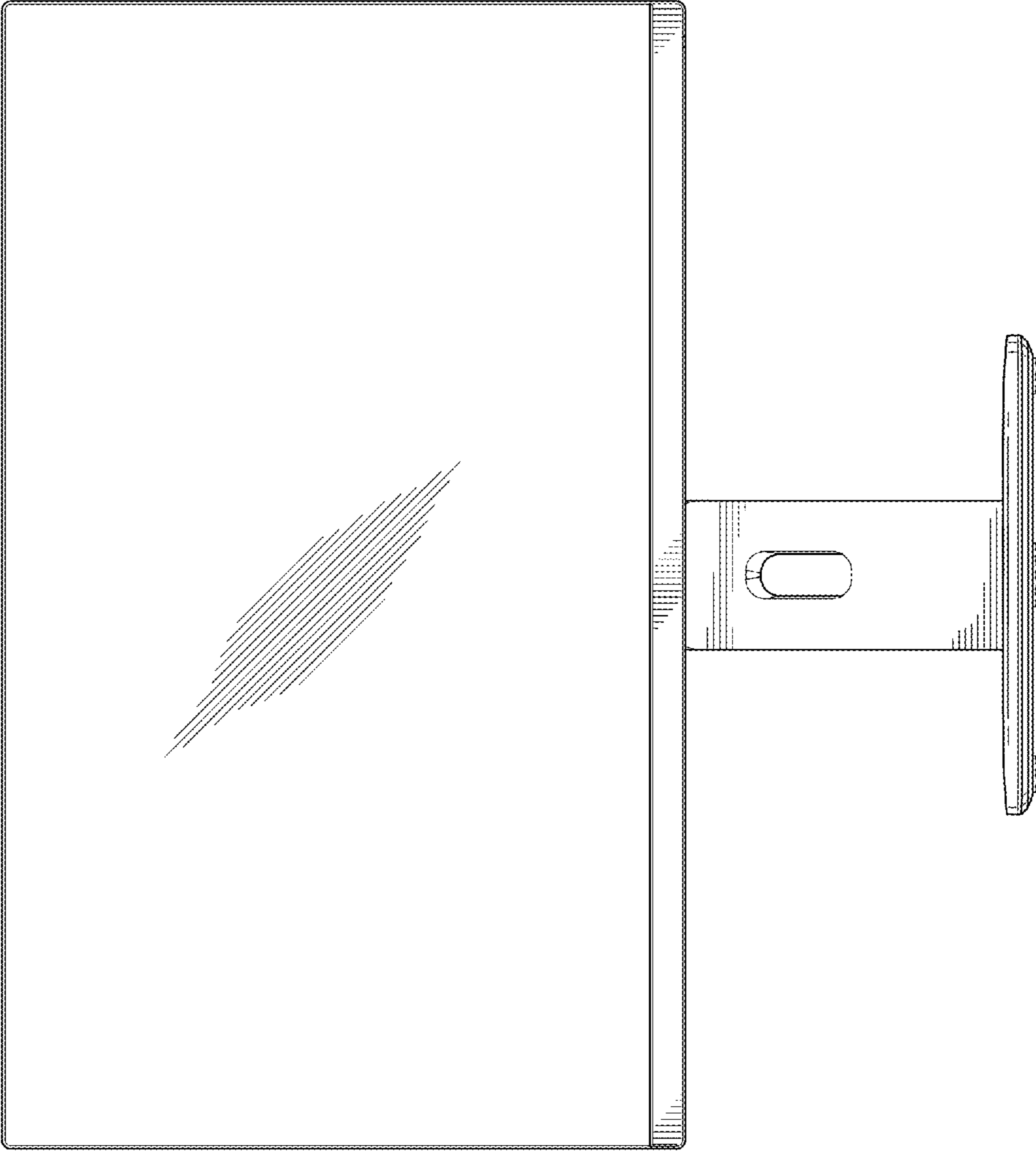


FIG. 2

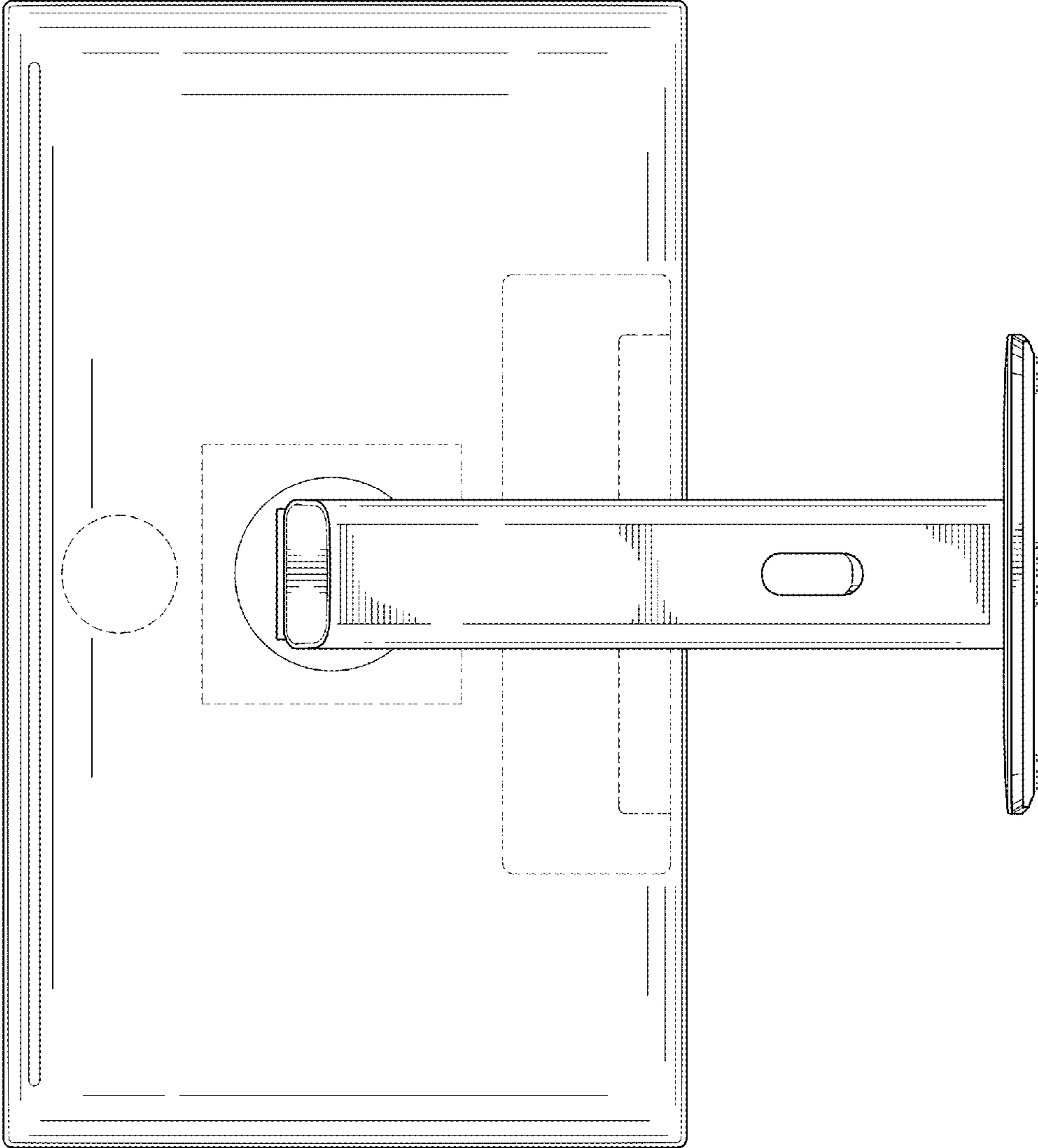


FIG. 3

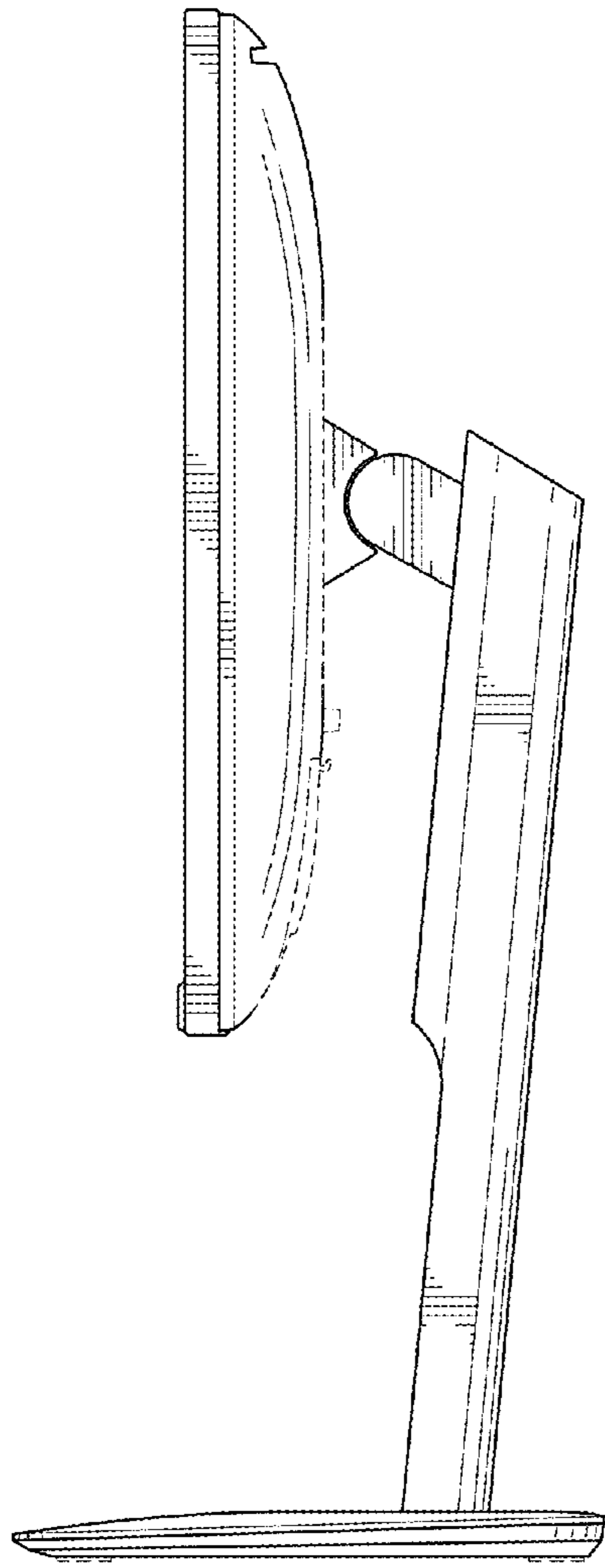


FIG. 4

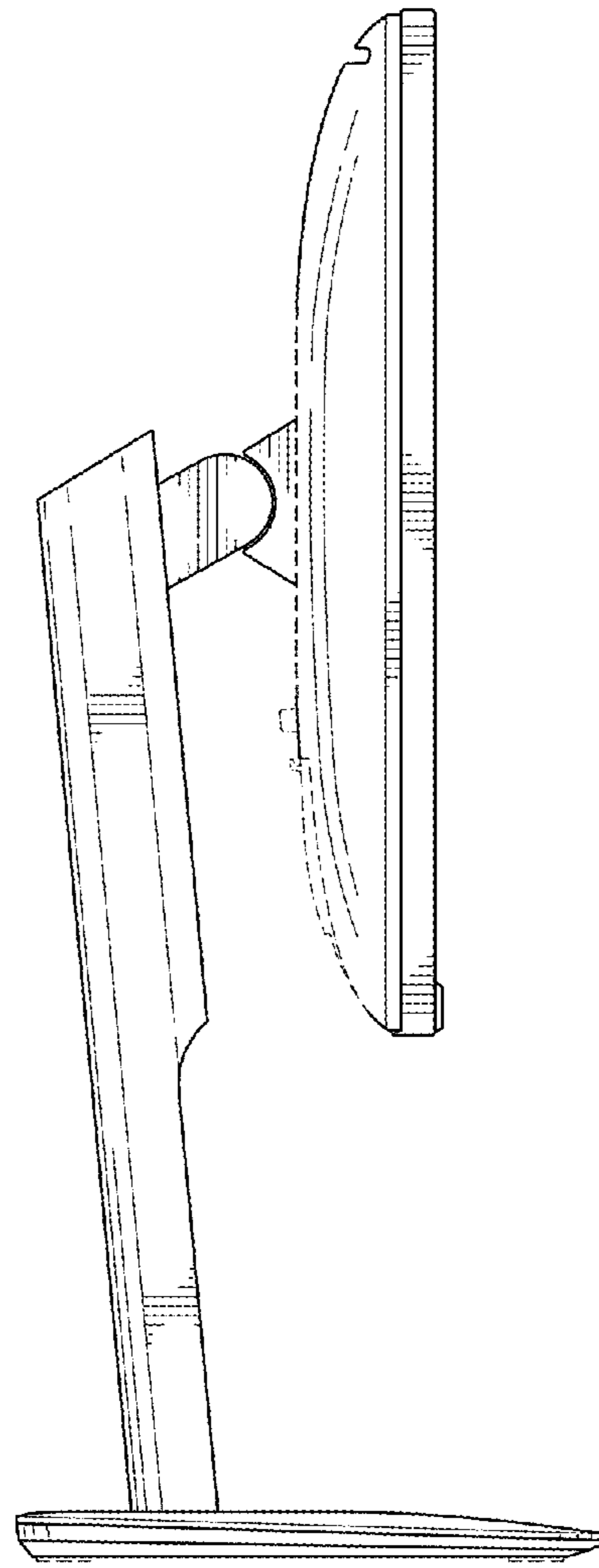


FIG. 5

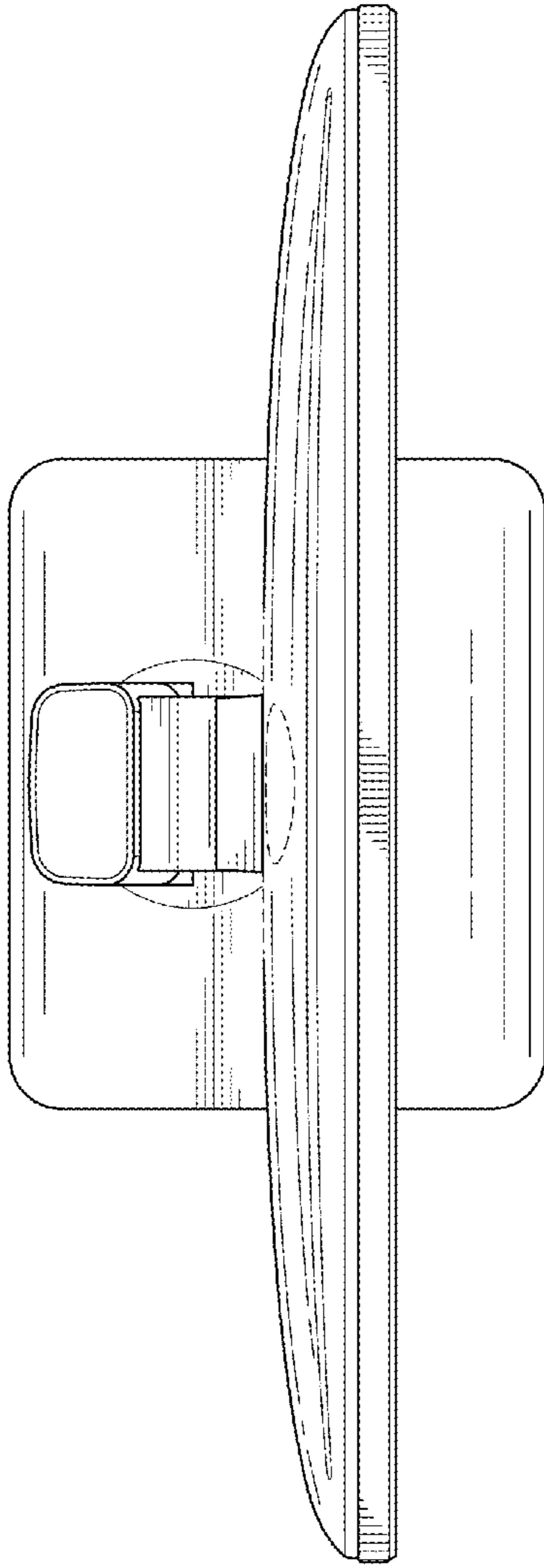


FIG. 6

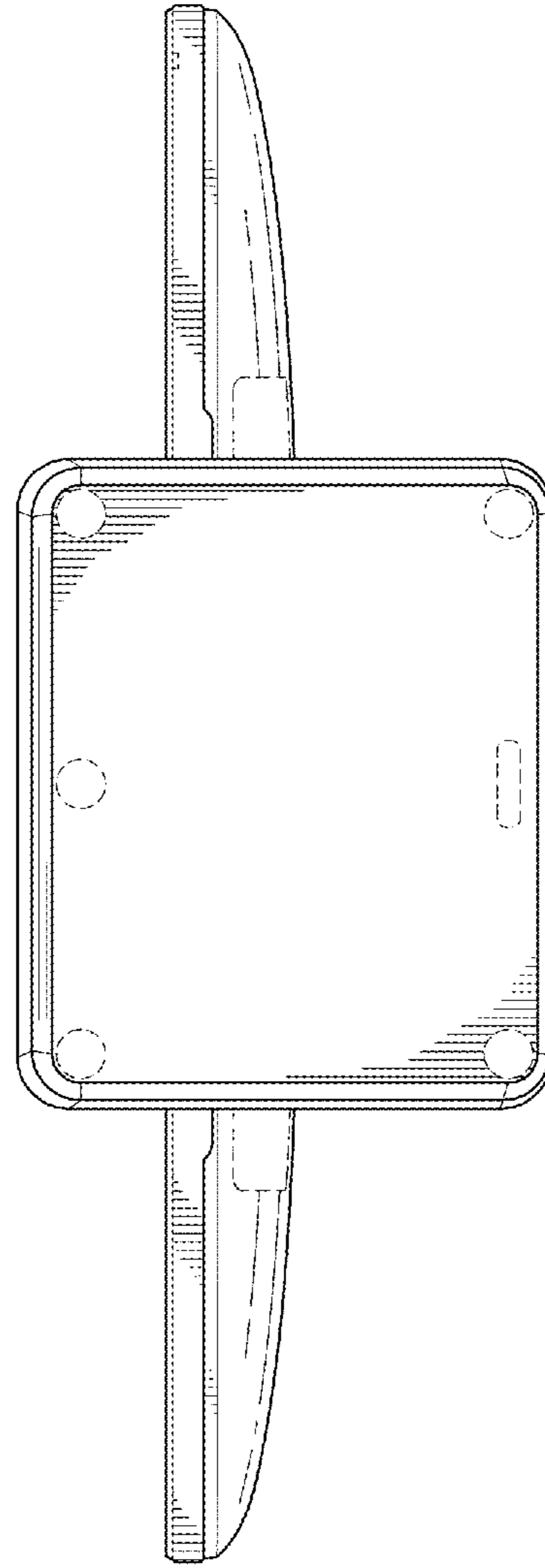


FIG. 7

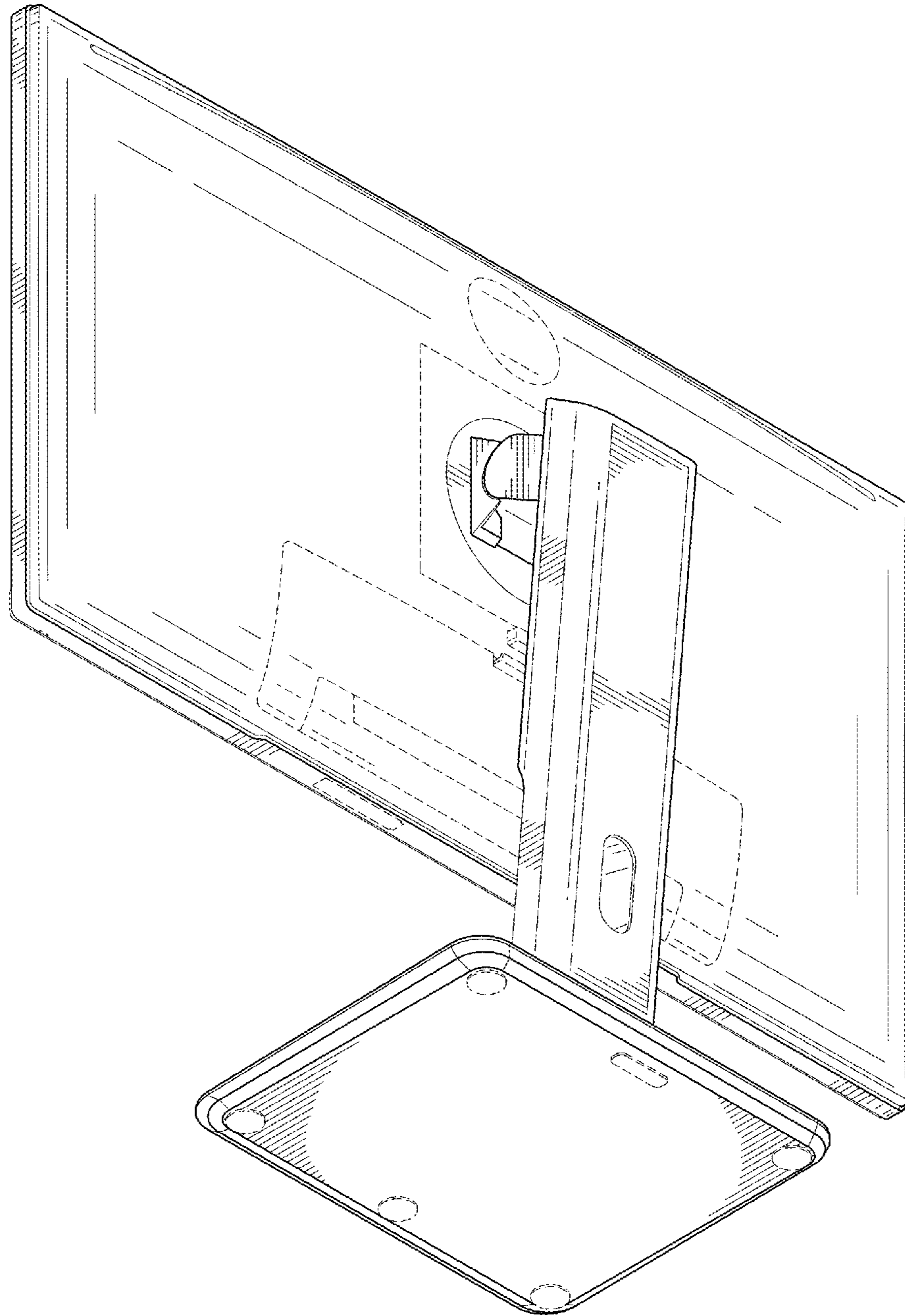


FIG. 8

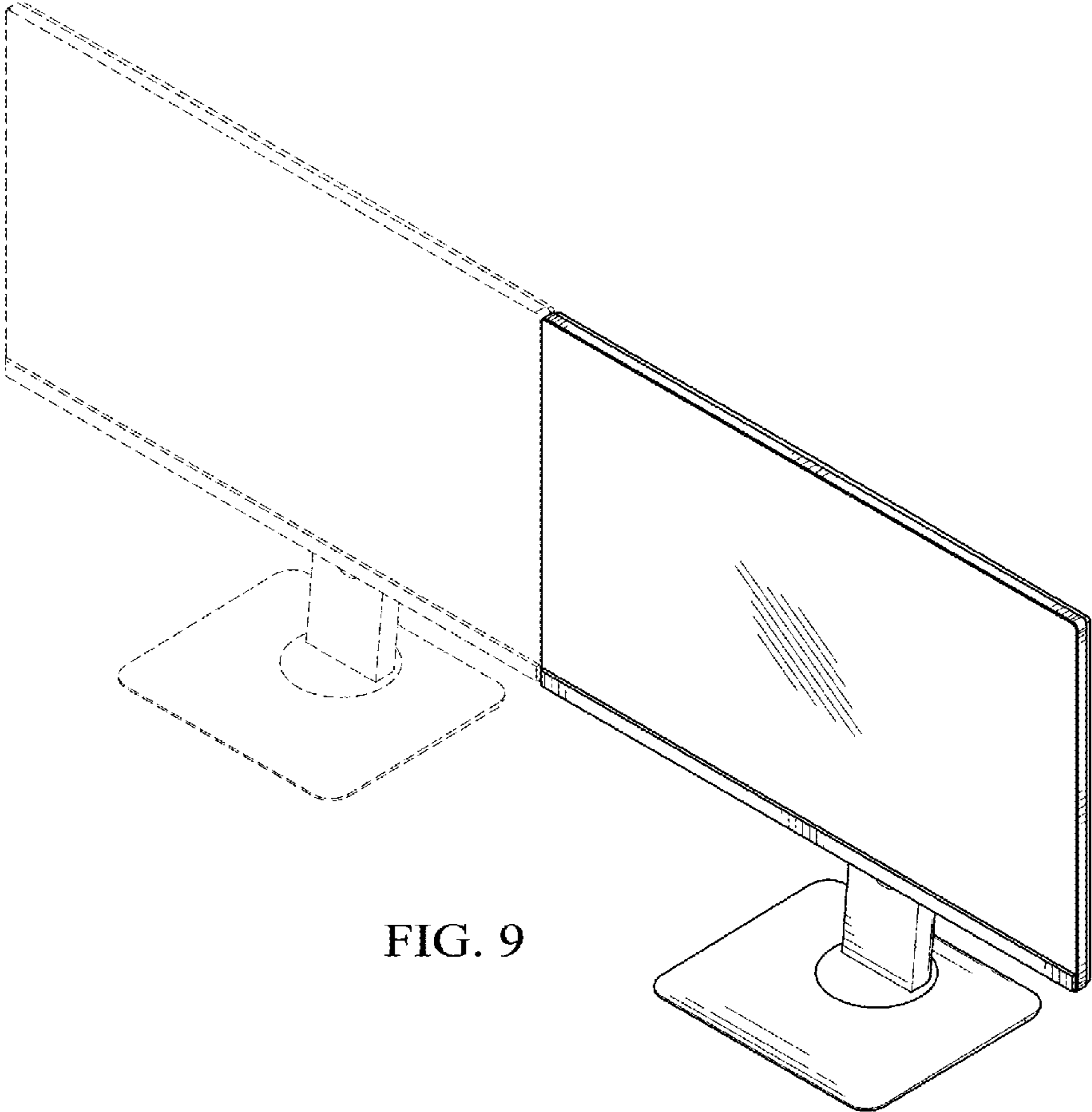


FIG. 9