



US00D763258S

(12) **United States Design Patent**
Cazalet et al.

(10) **Patent No.:** **US D763,258 S**
(45) **Date of Patent:** **** Aug. 9, 2016**

- (54) **WEARABLE HINGED DISPLAY DEVICE**
- (71) Applicant: **Google Inc.**, Mountain View, CA (US)
- (72) Inventors: **Peter Michael Cazalet**, Los Gatos, CA (US); **Maj Isabelle Olsson**, San Francisco, CA (US); **Matthew Wyatt Martin**, Ross, CA (US)
- (73) Assignee: **Google Inc.**, Mountain View, CA (US)
- (**) Term: **15 Years**
- (21) Appl. No.: **29/550,233**
- (22) Filed: **Dec. 31, 2015**

| | | |
|-----------------|---------|-----------------------|
| D659,741 S | 5/2012 | Heinrich et al. |
| D660,341 S | 5/2012 | Olsson et al. |
| D662,964 S | 7/2012 | Olsson et al. |
| D664,184 S | 7/2012 | Olsson et al. |
| D664,185 S | 7/2012 | Heinrich et al. |
| D664,586 S | 7/2012 | Olsson |
| D666,237 S | 8/2012 | Olsson et al. |
| D669,066 S | 10/2012 | Olsson et al. |
| D671,589 S | 11/2012 | Olsson |
| D680,152 S | 4/2013 | Olsson et al. |
| D697,962 S | 1/2014 | Olsson |
| D703,724 S | 4/2014 | Olsson |
| D704,247 S | 5/2014 | Olsson et al. |
| D708,181 S | 7/2014 | Olsson et al. |
| D711,376 S | 8/2014 | Lee et al. |
| D716,805 S | 11/2014 | Olsson et al. |
| D716,806 S | 11/2014 | Olsson et al. |
| D718,305 S | 11/2014 | Olsson et al. |
| D718,765 S | 12/2014 | Olsson |
| D719,157 S | 12/2014 | Lee et al. |
| D719,567 S | 12/2014 | Kim et al. |
| D719,952 S | 12/2014 | Kim et al. |
| D723,553 S | 3/2015 | Choo et al. |
| D724,082 S | 3/2015 | Olsson et al. |
| D725,101 S | 3/2015 | Lee et al. |
| D725,102 S * | 3/2015 | Lee D14/372 |
| D725,103 S | 3/2015 | Olsson et al. |
| D725,104 S | 3/2015 | Olsson et al. |
| D725,105 S | 3/2015 | Olsson et al. |
| D725,106 S | 3/2015 | Olsson et al. |
| D725,654 S | 3/2015 | Lee et al. |
| 8,968,012 B2 | 3/2015 | Olsson et al. |
| 8,976,085 B2 | 3/2015 | Olsson et al. |
| D726,720 S * | 4/2015 | Lee D14/372 |
| D726,721 S | 4/2015 | Olsson |
| D727,317 S * | 4/2015 | Olsson D14/372 |
| D728,564 S * | 5/2015 | Olsson D14/372 |
| D733,709 S * | 7/2015 | Kawai D14/372 |
| D734,332 S * | 7/2015 | Olsson D14/372 |
| D737,272 S * | 8/2015 | Olsson D14/372 |
| D738,373 S * | 9/2015 | Davies D14/372 |
| D738,420 S * | 9/2015 | Lee D14/372 |
| D740,284 S * | 10/2015 | Maeda D14/372 |
| D745,007 S * | 12/2015 | Cazalet D14/372 |
| D749,074 S * | 2/2016 | Cazalet D14/372 |
| D751,551 S * | 3/2016 | Ho D14/372 |
| 2013/0235331 A1 | 9/2013 | Heinrich et al. |
| 2013/0249776 A1 | 9/2013 | Olsson et al. |
| 2013/0258270 A1 | 10/2013 | Cazalet et al. |
| 2014/0028968 A1 | 1/2014 | Olsson et al. |

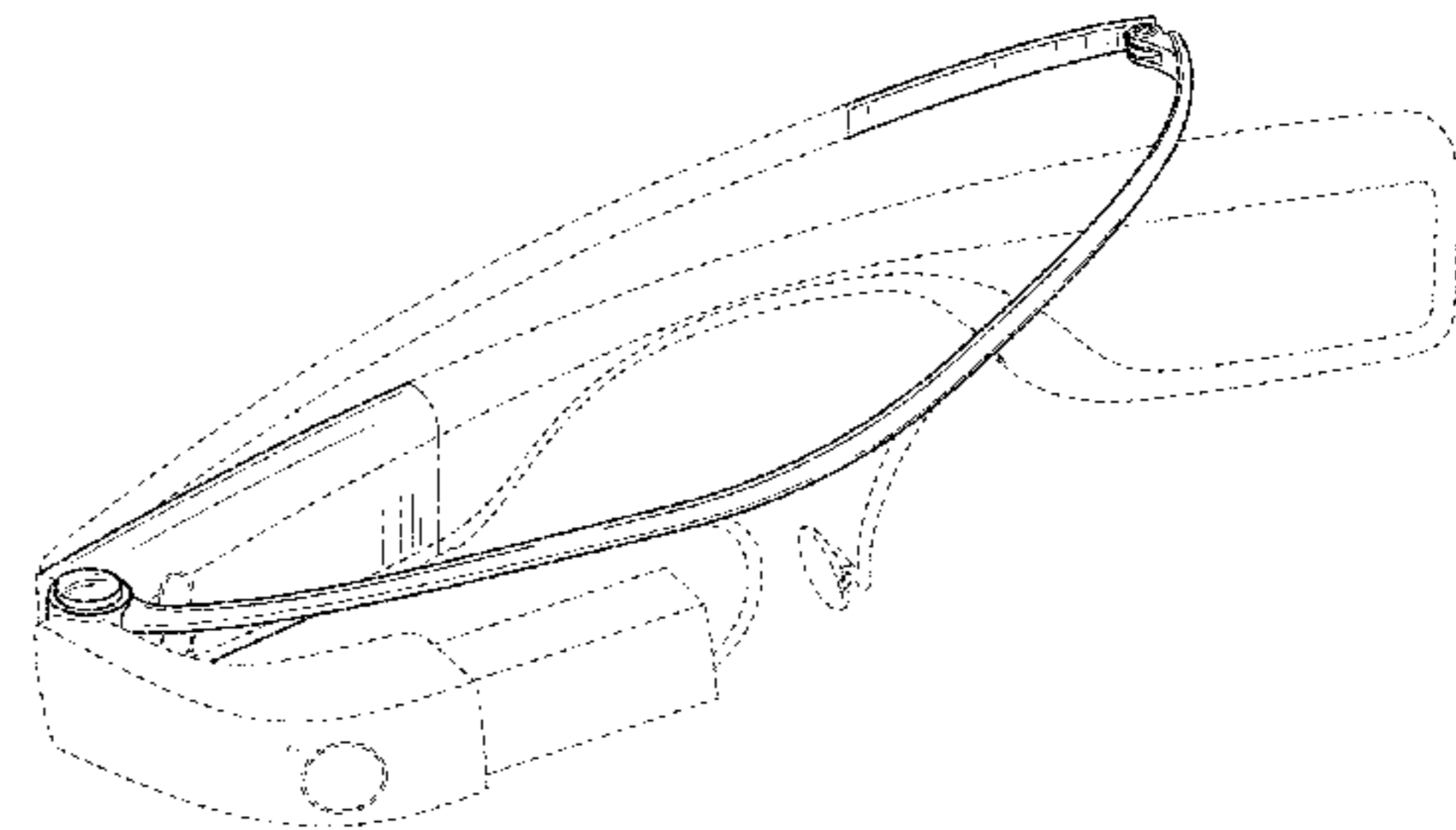
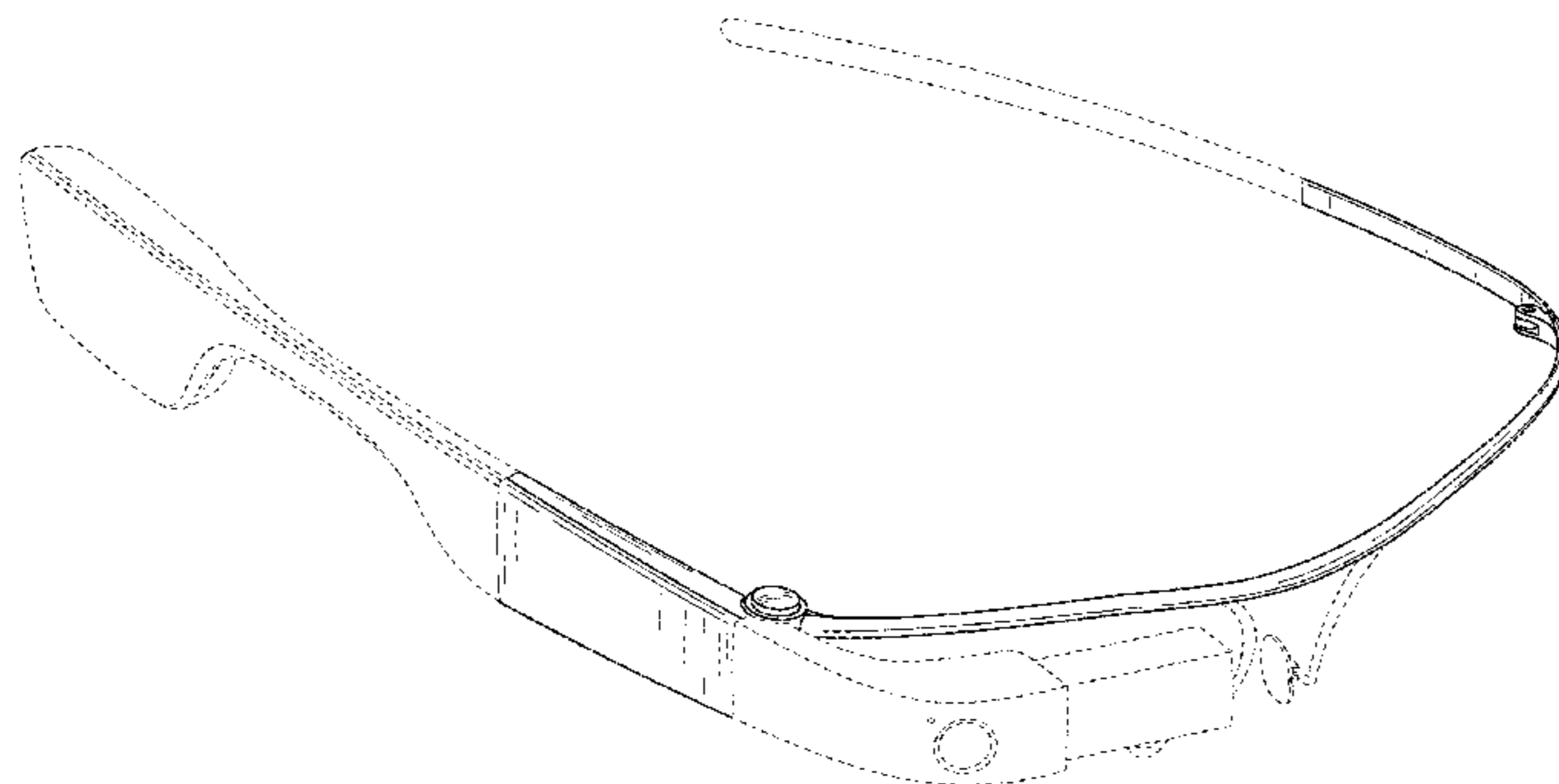
Related U.S. Application Data

- (60) Division of application No. 29/514,875, filed on Jan. 16, 2015, now Pat. No. Des. 749,074, which is a continuation of application No. 29/494,817, filed on Jun. 24, 2014, now abandoned.
- (51) **LOC (10) Cl.** **14-02**
- (52) **U.S. Cl.**
USPC **D14/372**
- (58) **Field of Classification Search**
USPC D14/372, 496, 432, 371, 125, 126, 129, D14/299; D16/300-342; 351/158, 153, 144; 345/7-9, 905; 455/344; 348/115, 53, 348/121, 739
CPC G02B 27/017; G02B 27/0158; G02B 27/0161; G02B 27/0181; G02B 27/0815; G02B 27/0189
See application file for complete search history.

References Cited

U.S. PATENT DOCUMENTS

| | | |
|--------------|---------|---------------|
| D327,079 S | 6/1992 | Allen |
| D402,651 S | 12/1998 | Depay et al. |
| 7,631,968 B1 | 12/2009 | Dobson et al. |
| 7,753,520 B2 | 7/2010 | Fuziak, Jr. |
| D649,177 S | 11/2011 | Cho et al. |
| 8,136,940 B2 | 3/2012 | Tsai |
| D659,137 S | 5/2012 | Matsumoto |
| D659,739 S | 5/2012 | Olsson et al. |



FOREIGN PATENT DOCUMENTS

JP 2013044833 A 3/2013

OTHER PUBLICATIONS

Optical head-mounted display, from Wikipedia, Sep. 18, 2014.
“6 Glasses With Integrated Displays That You Can Buy Today”
[online], retrieved from the internet: <<http://www.wired.com/2012/04/6-glasses-with-integrated-displays-that-you-can-buy-today>>,
Apr. 11, 2012.

* cited by examiner

Primary Examiner — Austin Murphy
(74) *Attorney, Agent, or Firm* — Lerner, David, Littenberg,
Krumholz & Mentlik, LLP

(57) **CLAIM**

The ornamental design for a wearable hinged display device,
as shown and described.

DESCRIPTION

FIG. 1 is a front perspective view of a wearable hinged display device according to our design in a first configuration;
FIG. 2 is a front elevation view of the wearable hinged display device of FIG. 1;
FIG. 3 is a back elevation view of the wearable hinged display device of FIG. 1;
FIG. 4 is a right elevation view of the wearable hinged display device of FIG. 1;

FIG. 5 is a left elevation view of the wearable hinged display device of FIG. 1;
FIG. 6 is a top elevation view of the wearable hinged display device of FIG. 1;
FIG. 7 is a bottom elevation view of the wearable hinged display device of FIG. 1;
FIG. 8 is another front perspective view of the wearable hinged display device of FIG. 1;
FIG. 9 is a front perspective view of a wearable hinged display device according to our design in a second configuration;
FIG. 10 is a front elevation view of the wearable hinged display device of FIG. 9;
FIG. 11 is a back elevation view of the wearable hinged display device of FIG. 9;
FIG. 12 is a right elevation view of the wearable hinged display device of FIG. 9;
FIG. 13 is a left elevation view of the wearable hinged display device of FIG. 9;
FIG. 14 is a top elevation view of the wearable hinged display device of FIG. 9;
FIG. 15 is a bottom elevation view of the wearable hinged display device of FIG. 9; and,
FIG. 16 is another front perspective view of the wearable hinged display device of FIG. 9.

Broken lines are environmental only and form no part of the claimed design. The dash-dot lines indicate boundaries and form no part of the claimed design.

The lenses shown in the figures are presented with an exemplary thickness and curvature. The thickness and curvature of the lenses are not part of the claimed design.

1 Claim, 11 Drawing Sheets

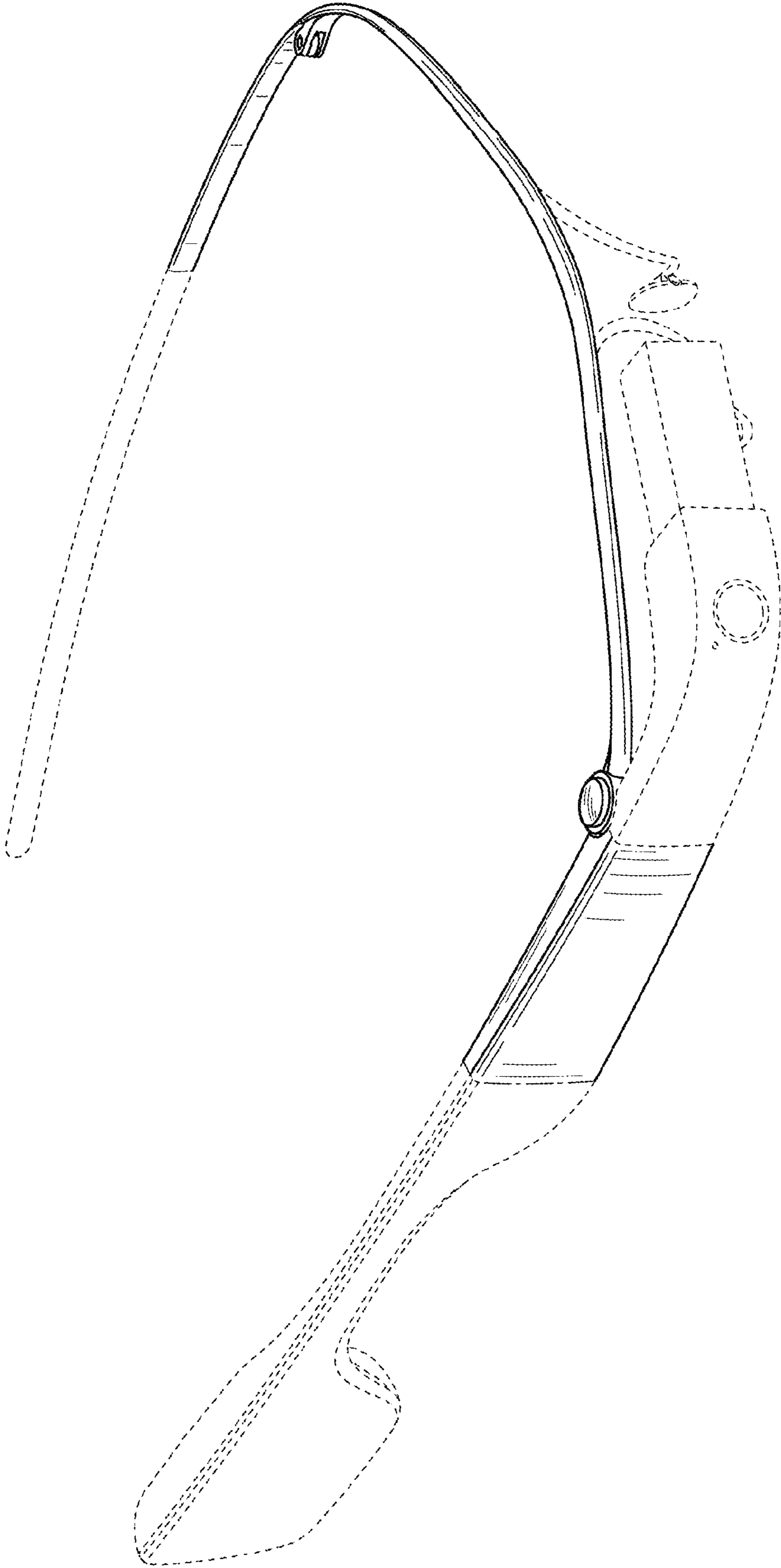


FIG. 1

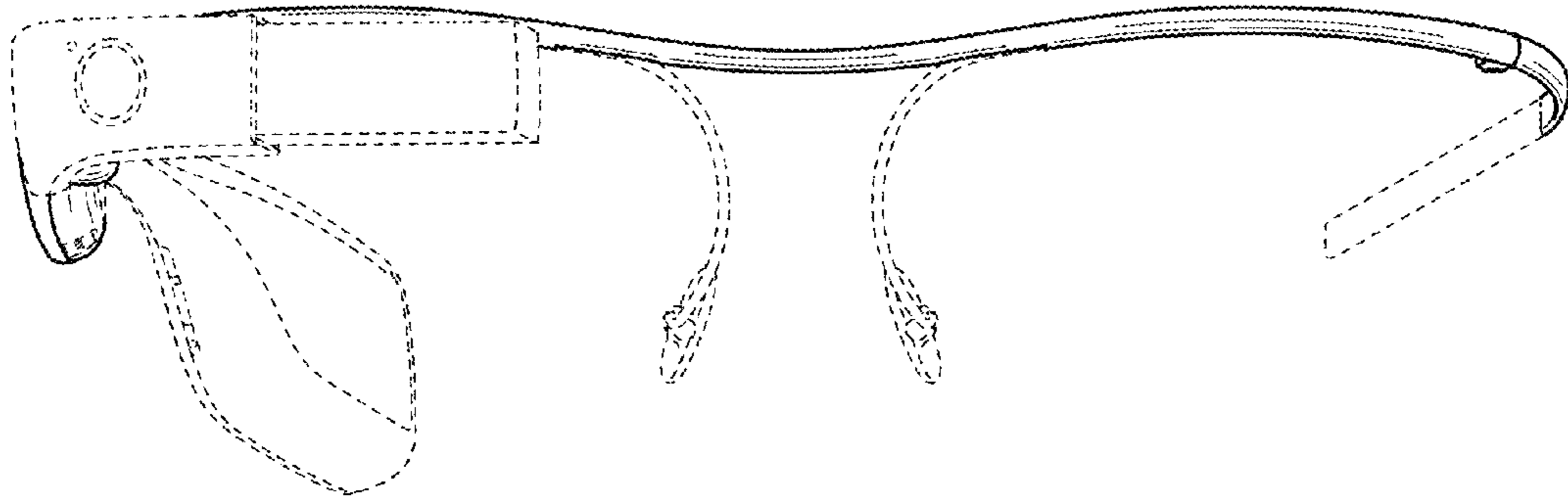


FIG. 2

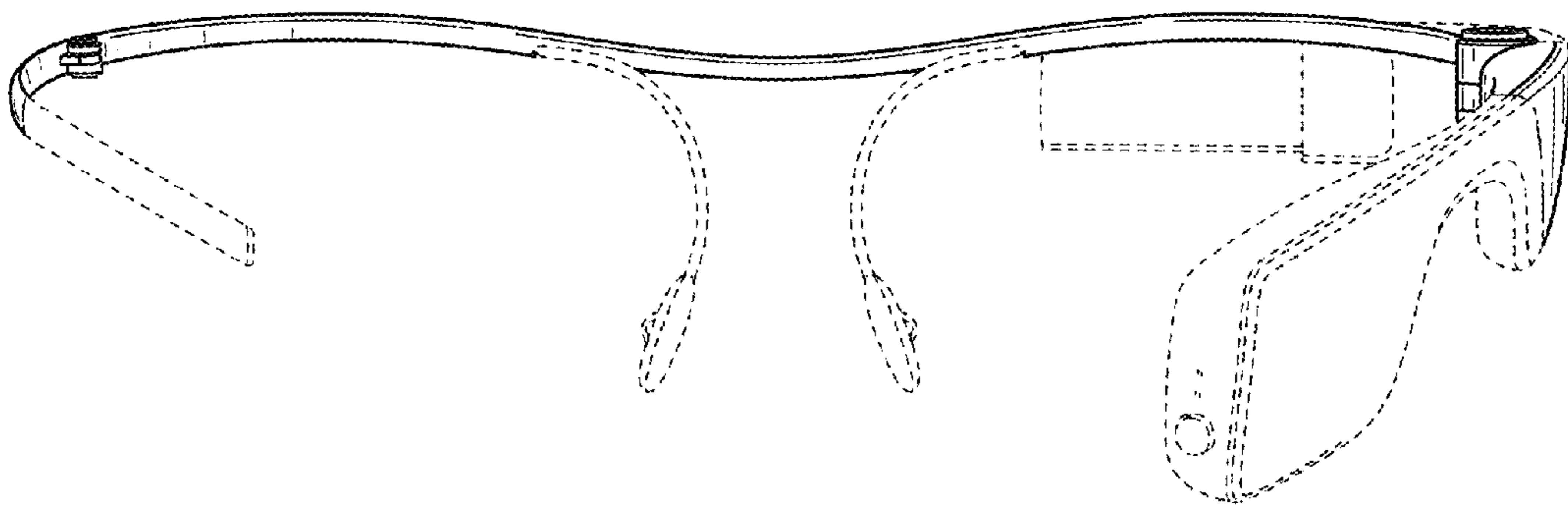


FIG. 3

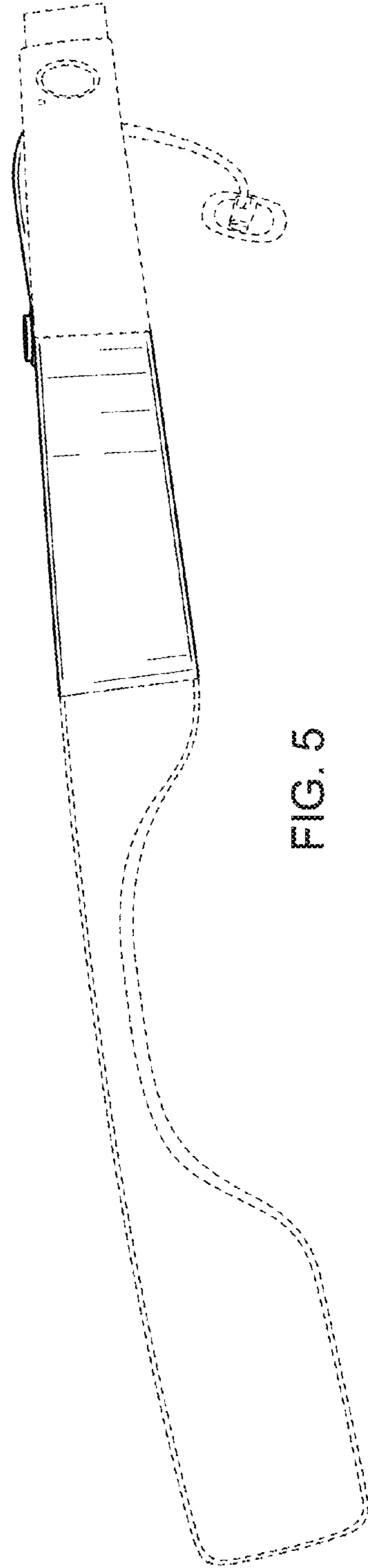
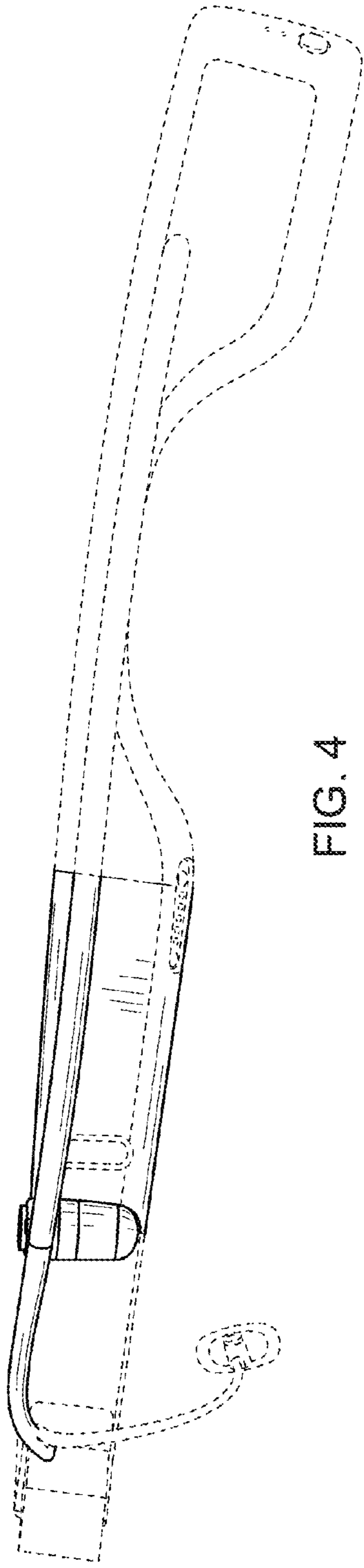




FIG. 6

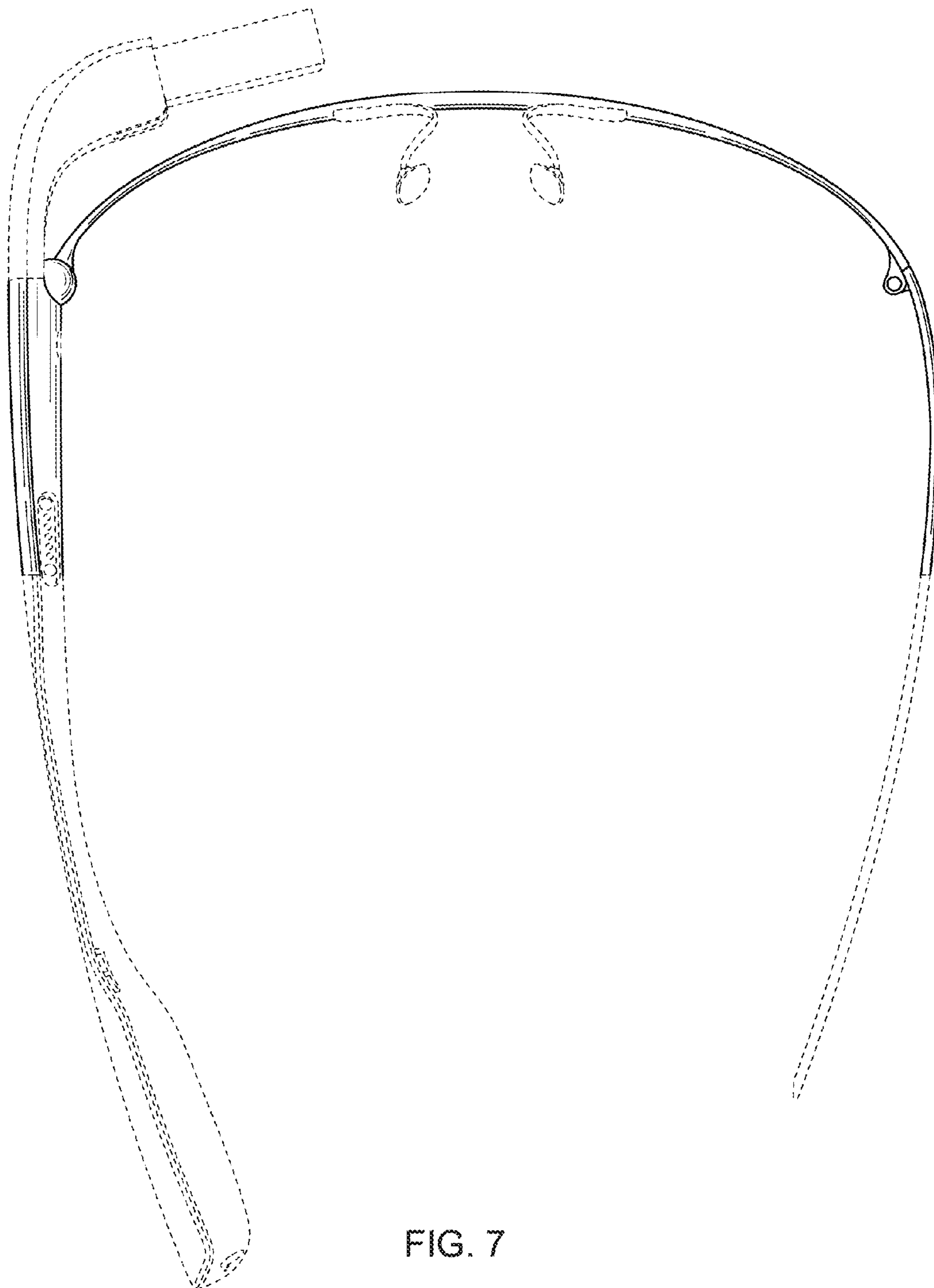


FIG. 7

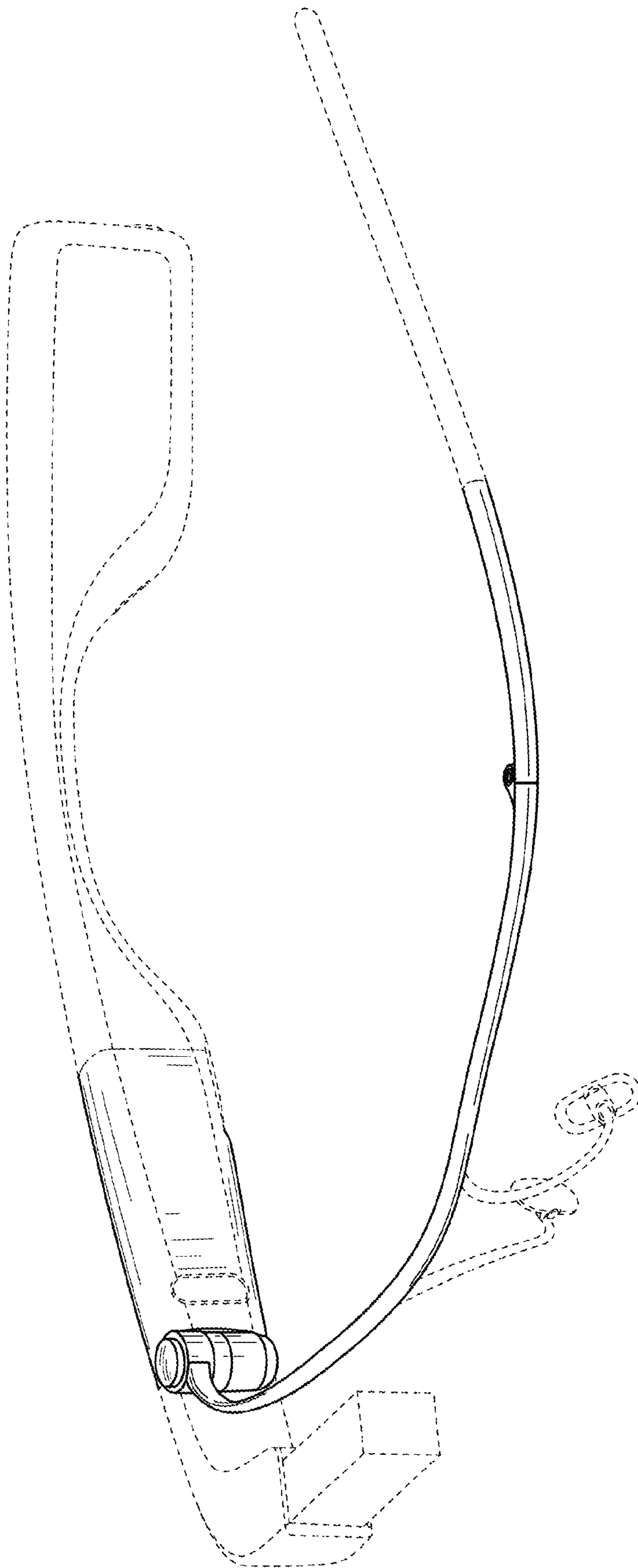


FIG. 8

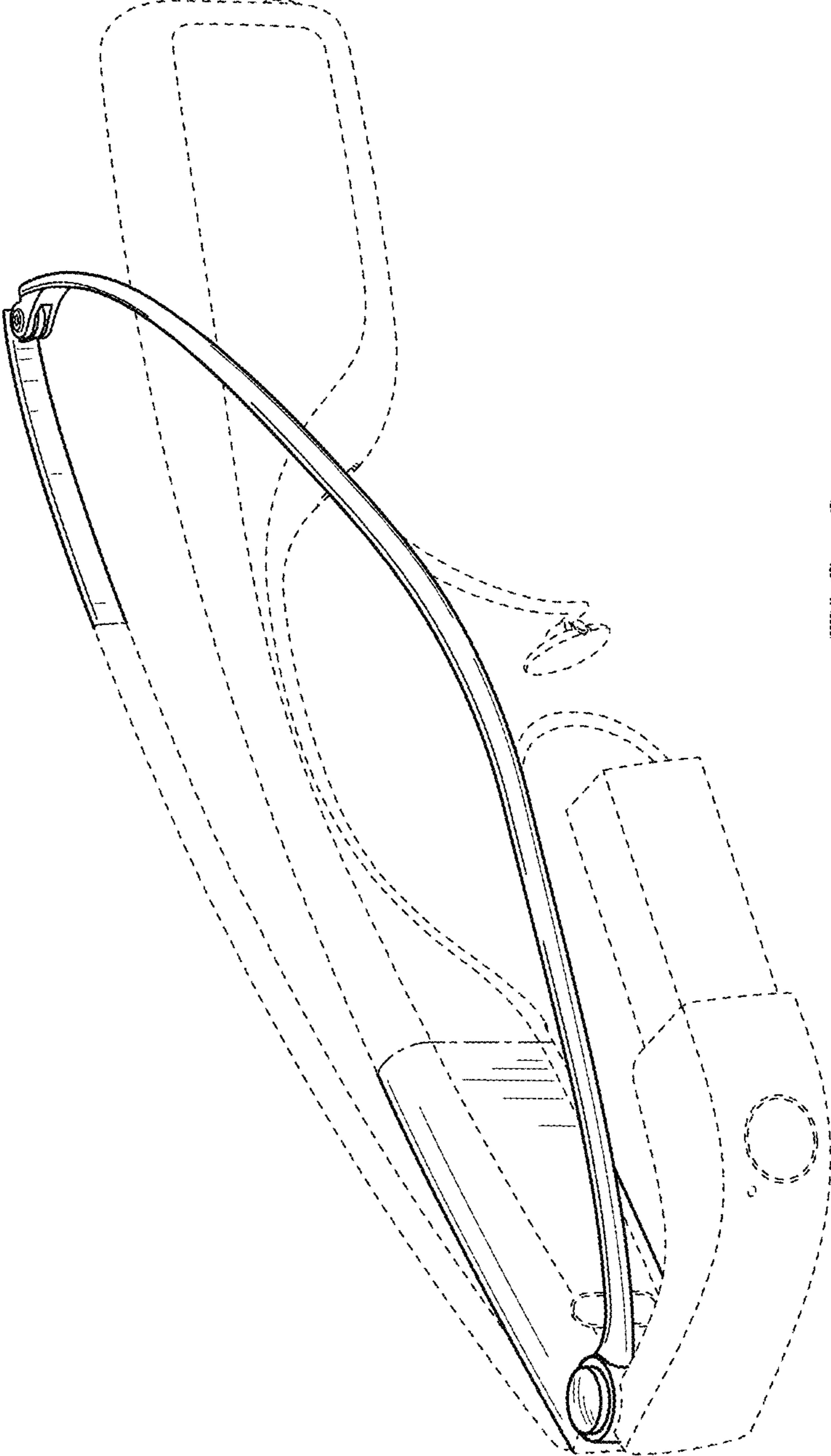


FIG. 9

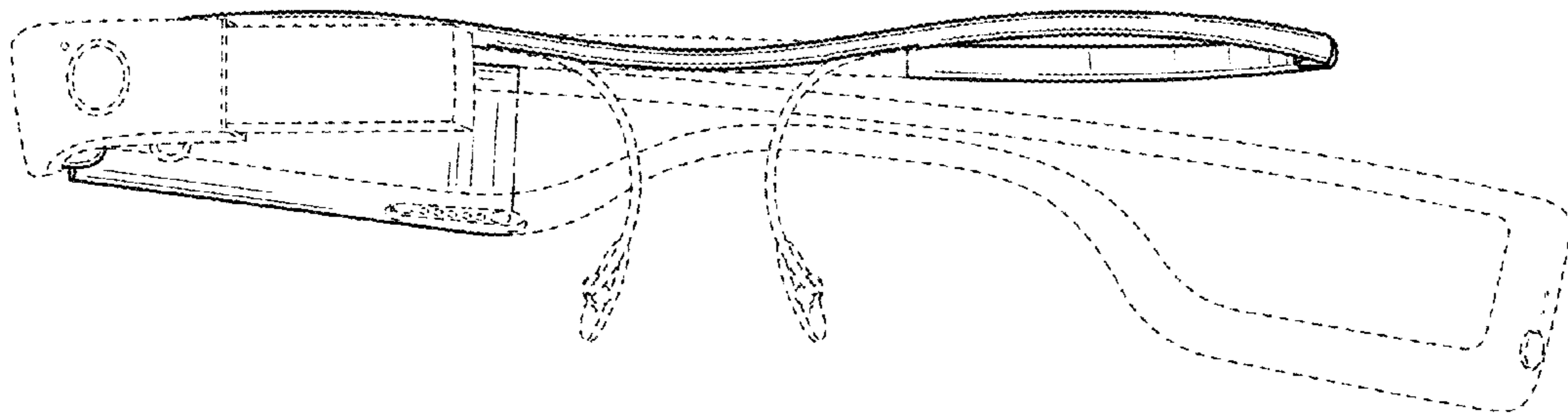


FIG. 10

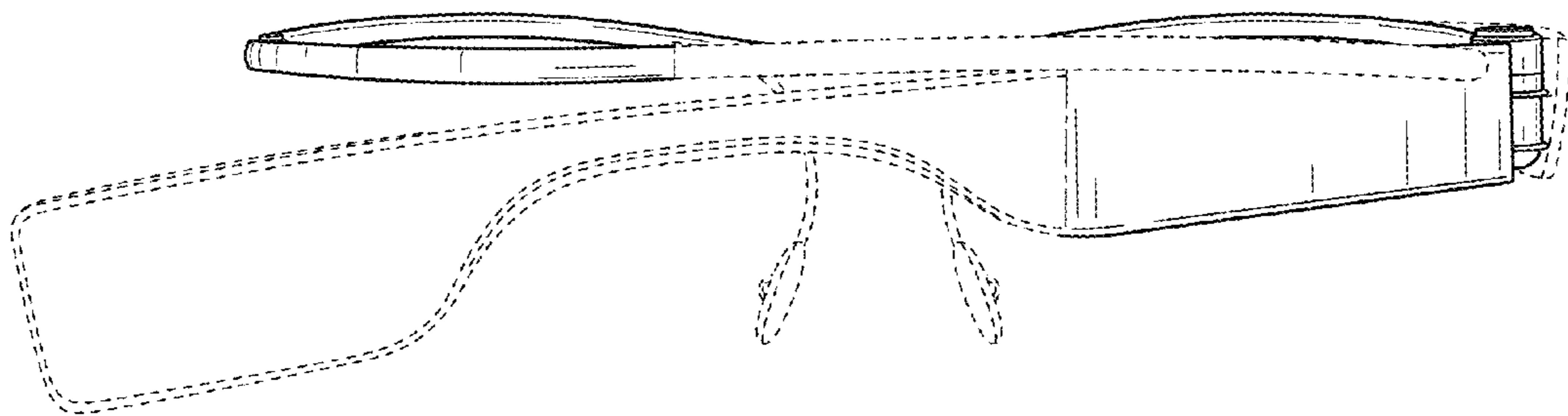


FIG. 11

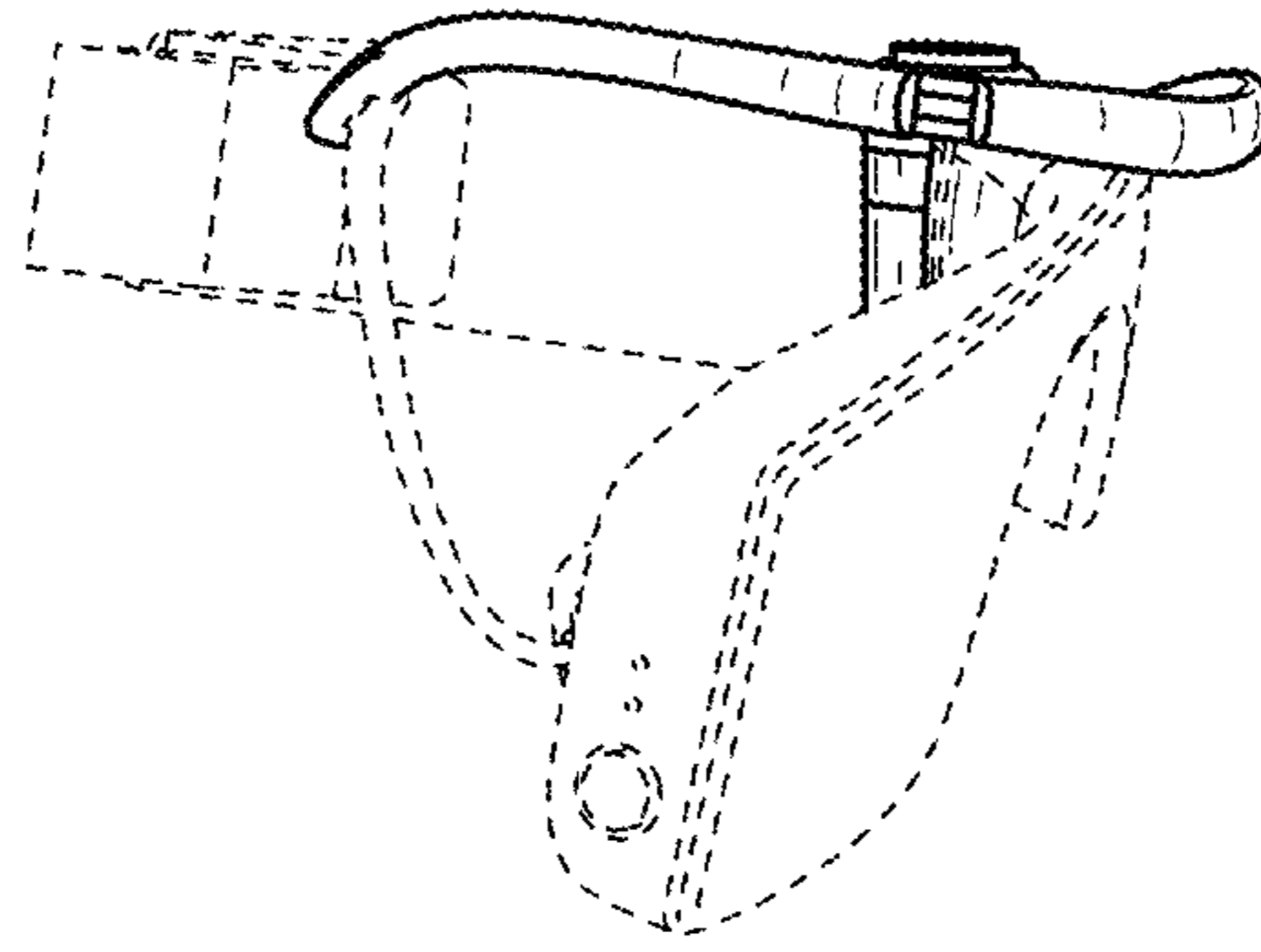


FIG. 12

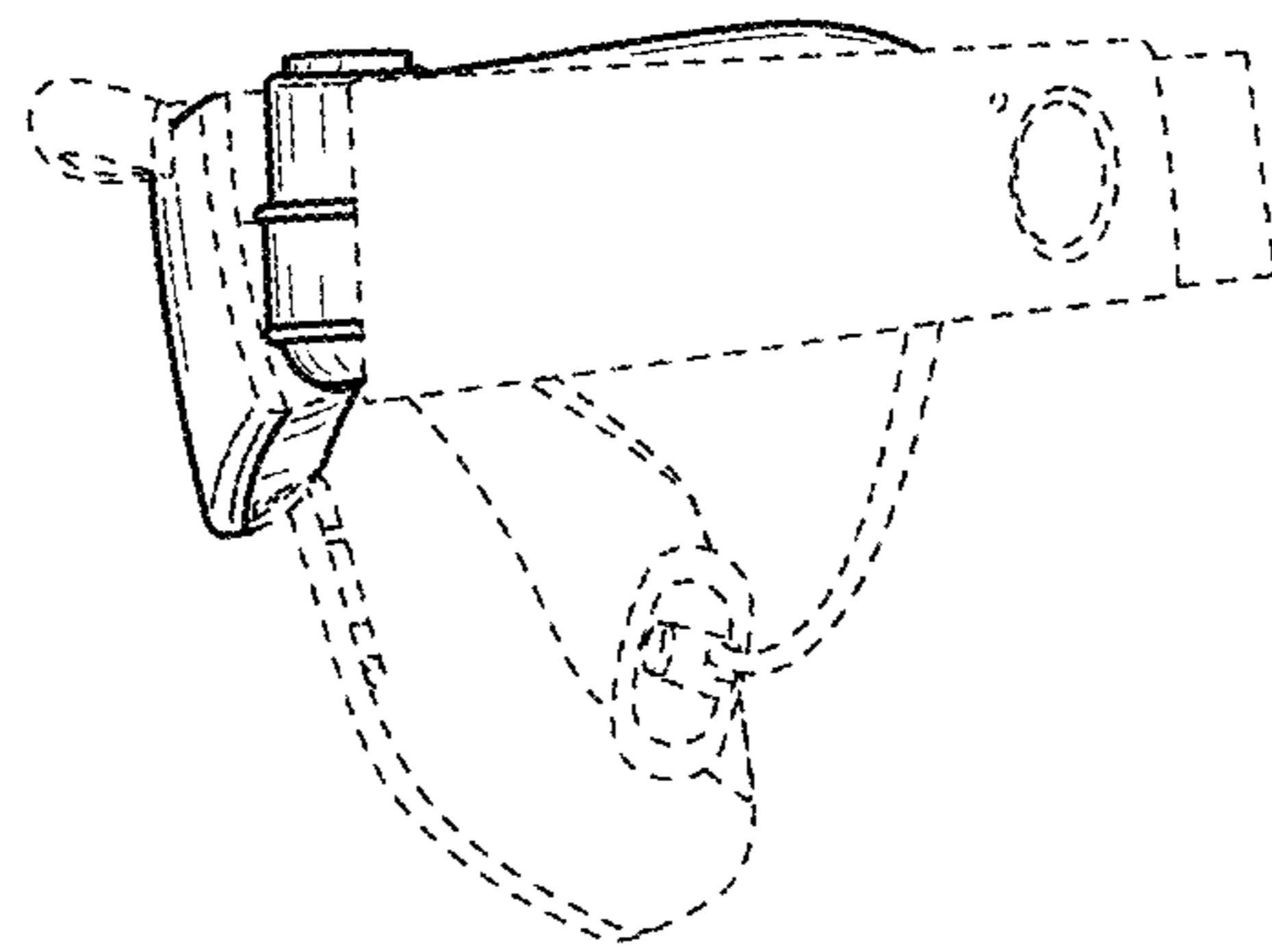


FIG. 13

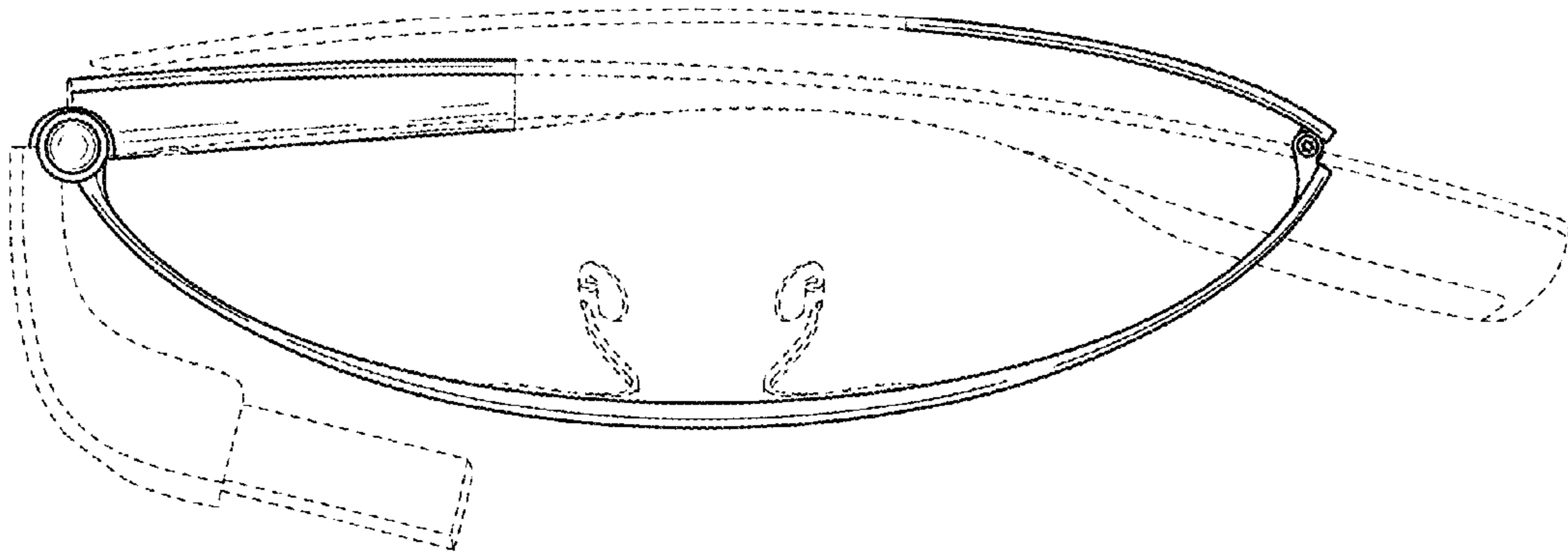


FIG. 14

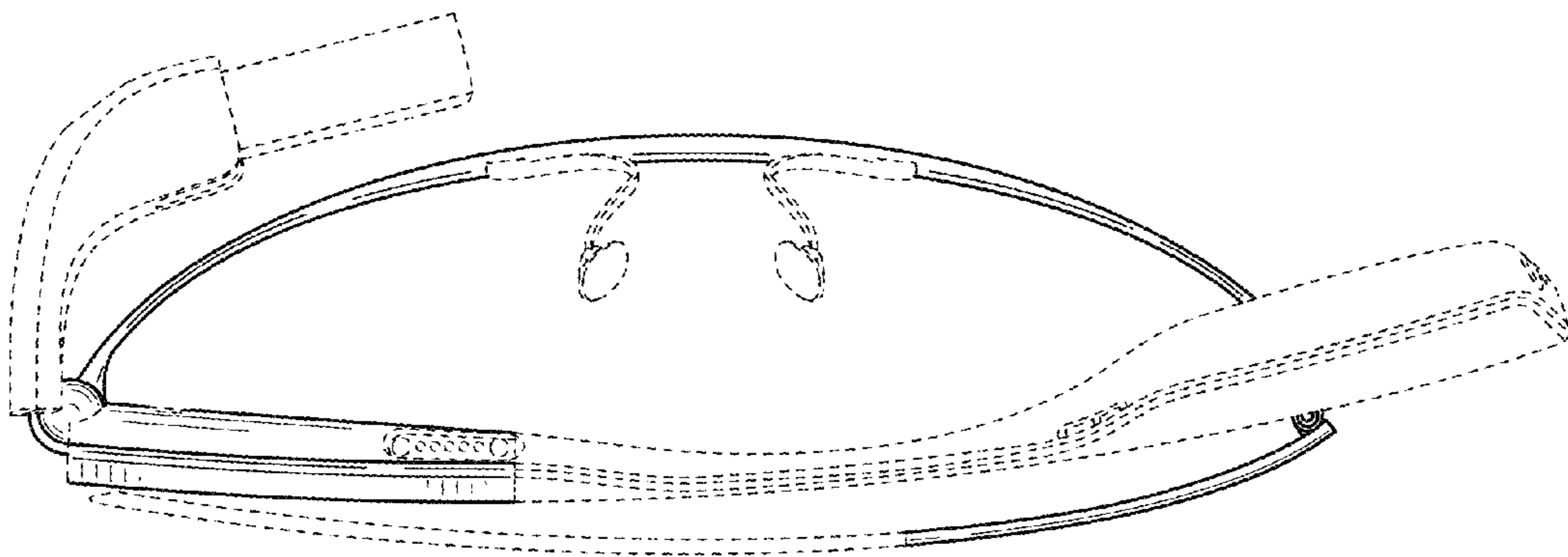


FIG. 15

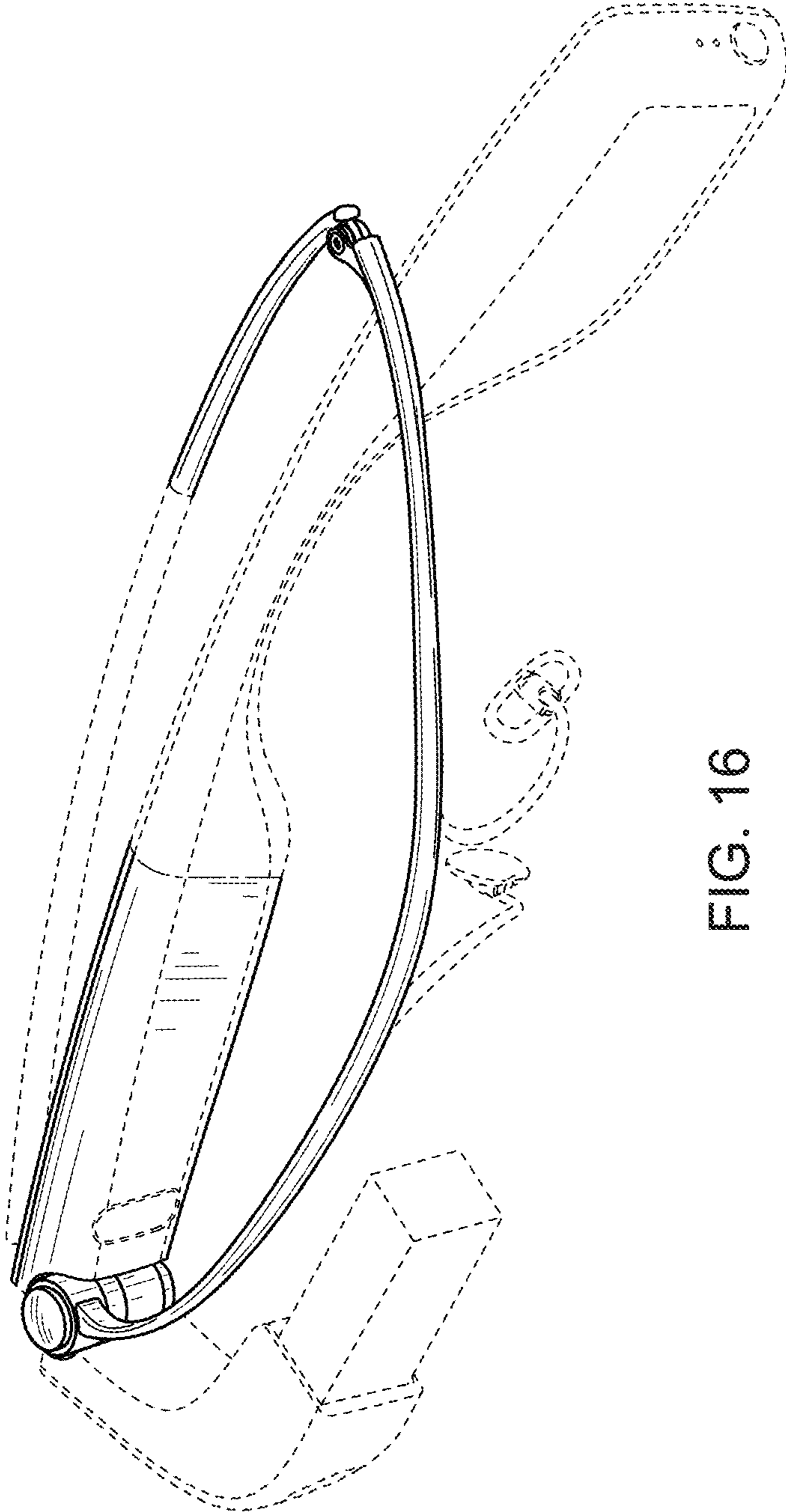


FIG. 16