



US00D763257S

(12) **United States Design Patent**  
**Cazalet et al.**

(10) **Patent No.:** **US D763,257 S**  
(45) **Date of Patent:** **\*\* Aug. 9, 2016**

(54) **WEARABLE HINGED DISPLAY DEVICE**

(71) Applicant: **Google Inc.**, Mountain View, CA (US)

(72) Inventors: **Peter Michael Cazalet**, Los Gatos, CA (US); **Maj Isabelle Olsson**, San Francisco, CA (US); **Matthew Wyatt Martin**, Ross, CA (US)

(73) Assignee: **Google Inc.**, Mountain View, CA (US)

(\*\*) Term: **15 Years**

(21) Appl. No.: **29/550,231**

(22) Filed: **Dec. 31, 2015**

**Related U.S. Application Data**

(60) Division of application No. 29/514,875, filed on Jan. 16, 2015, now Pat. No. Des. 749,074, which is a continuation of application No. 29/494,817, filed on Jun. 24, 2014, now abandoned.

(51) **LOC (10) Cl.** ..... **14-02**

(52) **U.S. Cl.**  
USPC ..... **D14/372**

(58) **Field of Classification Search**  
USPC ..... D14/372, 496, 432, 371, 125, 126, 129, D14/299; D16/300-342; 351/158, 153, 144; 345/7-9, 905; 455/344; 348/115, 53, 348/121, 739  
CPC ..... G02B 27/017; G02B 27/0158; G02B 27/0161; G02B 27/0181; G02B 27/0185; G02B 27/0189

See application file for complete search history.

(56) **References Cited**

**U.S. PATENT DOCUMENTS**

D327,079 S 6/1992 Allen  
D402,651 S 12/1998 Depay et al.

(Continued)

**FOREIGN PATENT DOCUMENTS**

JP 2013044833 A 3/2013

**OTHER PUBLICATIONS**

Optical head-mounted display, from Wikipedia, Sep. 18, 2014.

(Continued)

*Primary Examiner* — Austin Murphy

(74) *Attorney, Agent, or Firm* — Lerner, David, Littenberg, Krumholz & Mentlik, LLP

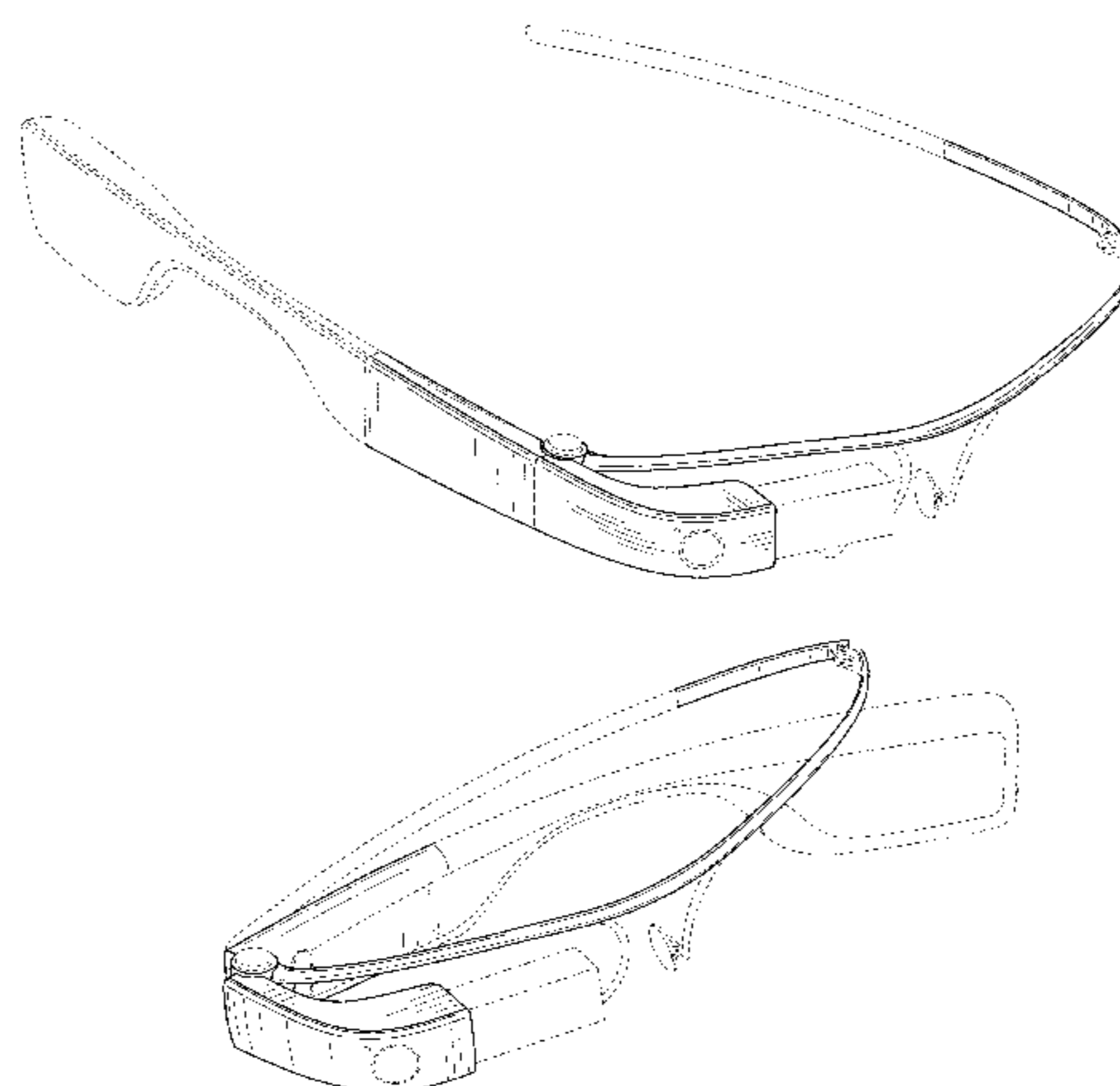
(57) **CLAIM**

The ornamental design for a wearable hinged display device, as shown and described.

**DESCRIPTION**

FIG. 1 is a front perspective view of a wearable hinged display device according to our design in a first configuration; FIG. 2 is a front elevation view of the wearable hinged display device of FIG. 1; FIG. 3 is a back elevation view of the wearable hinged display device of FIG. 1; FIG. 4 is a right elevation view of the wearable hinged display device of FIG. 1; FIG. 5 is a left elevation view of the wearable hinged display device of FIG. 1; FIG. 6 is a top elevation view of the wearable hinged display device of FIG. 1; FIG. 7 is a bottom elevation view of the wearable hinged display device of FIG. 1; FIG. 8 is another front perspective view of the wearable hinged display device of FIG. 1; FIG. 9 is a front perspective view of a wearable hinged display device according to our design in a second configuration; FIG. 10 is a front elevation view of the wearable hinged display device of FIG. 9; FIG. 11 is a back elevation view of the wearable hinged display device of FIG. 9; FIG. 12 is a right elevation view of the wearable hinged display device of FIG. 9; FIG. 13 is a left elevation view of the wearable hinged display device of FIG. 9; FIG. 14 is a top elevation view of the wearable hinged display device of FIG. 9; FIG. 15 is a bottom elevation view of the wearable hinged display device of FIG. 9; and, FIG. 16 is another front perspective view of the wearable hinged display device of FIG. 9. Broken lines are environmental only and form no part of the claimed design. The dash-dot lines indicate boundaries and form no part of the claimed design. The lenses shown in the figures are presented with an exemplary thickness and curvature. The thickness and curvature of the lenses are not part of the claimed design.

**1 Claim, 11 Drawing Sheets**



(56)

References Cited

U.S. PATENT DOCUMENTS

7,631,968 B1 12/2009 Dobson et al.  
 7,753,520 B2 7/2010 Fuziak, Jr.  
 D649,177 S 11/2011 Cho et al.  
 8,136,940 B2 3/2012 Tsai  
 D659,137 S 5/2012 Matsumoto  
 D659,739 S 5/2012 Olsson et al.  
 D659,741 S 5/2012 Heinrich et al.  
 D660,341 S 5/2012 Olsson et al.  
 D662,964 S 7/2012 Olsson et al.  
 D664,184 S 7/2012 Olsson et al.  
 D664,185 S 7/2012 Heinrich et al.  
 D664,586 S 7/2012 Olsson  
 D666,237 S 8/2012 Olsson et al.  
 D669,066 S 10/2012 Olsson et al.  
 D671,589 S 11/2012 Olsson  
 D680,152 S 4/2013 Olsson et al.  
 D697,962 S 1/2014 Olsson  
 D703,724 S 4/2014 Olsson  
 D704,247 S 5/2014 Olsson et al.  
 D708,181 S 7/2014 Olsson et al.  
 D711,376 S 8/2014 Lee et al.  
 D716,805 S 11/2014 Olsson et al.  
 D716,806 S 11/2014 Olsson et al.  
 D718,305 S 11/2014 Olsson et al.  
 D718,765 S 12/2014 Olsson  
 D719,157 S 12/2014 Lee et al.  
 D719,567 S 12/2014 Kim et al.  
 D719,952 S 12/2014 Kim et al.  
 D723,553 S 3/2015 Choo et al.  
 D724,082 S 3/2015 Olsson et al.  
 D725,101 S 3/2015 Lee et al.

D725,102 S \* 3/2015 Lee ..... D14/372  
 D725,103 S 3/2015 Olsson et al.  
 D725,104 S 3/2015 Olsson et al.  
 D725,105 S 3/2015 Olsson et al.  
 D725,106 S 3/2015 Olsson et al.  
 D725,654 S 3/2015 Lee et al.  
 8,968,012 B2 3/2015 Olsson et al.  
 8,976,085 B2 3/2015 Olsson et al.  
 D726,720 S \* 4/2015 Lee ..... D14/372  
 D726,721 S 4/2015 Olsson  
 D727,317 S \* 4/2015 Olsson ..... D14/372  
 D728,564 S \* 5/2015 Olsson ..... D14/372  
 D733,709 S \* 7/2015 Kawai ..... D14/372  
 D734,332 S \* 7/2015 Olsson ..... D14/372  
 D737,272 S \* 8/2015 Olsson ..... D14/372  
 D738,373 S \* 9/2015 Davies ..... D14/372  
 D738,420 S \* 9/2015 Lee ..... D14/372  
 D740,284 S \* 10/2015 Maeda ..... D14/372  
 D745,007 S \* 12/2015 Cazalet ..... D14/372  
 D749,074 S \* 2/2016 Cazalet ..... D14/372  
 D751,551 S \* 3/2016 Ho ..... D14/372  
 2013/0235331 A1 9/2013 Heinrich et al.  
 2013/0249776 A1 9/2013 Olsson et al.  
 2013/0258270 A1 10/2013 Cazalet et al.  
 2014/0028968 A1 1/2014 Olsson et al.

OTHER PUBLICATIONS

“6 Glasses With Integrated Displays That You Can Buy Today”  
 [online], retrieved from the internet: <<http://www.wired.com/2012/04/6-glasses-with-integrated-displays-that-you-can-buy-today>>,  
 Apr. 11, 2012.

\* cited by examiner

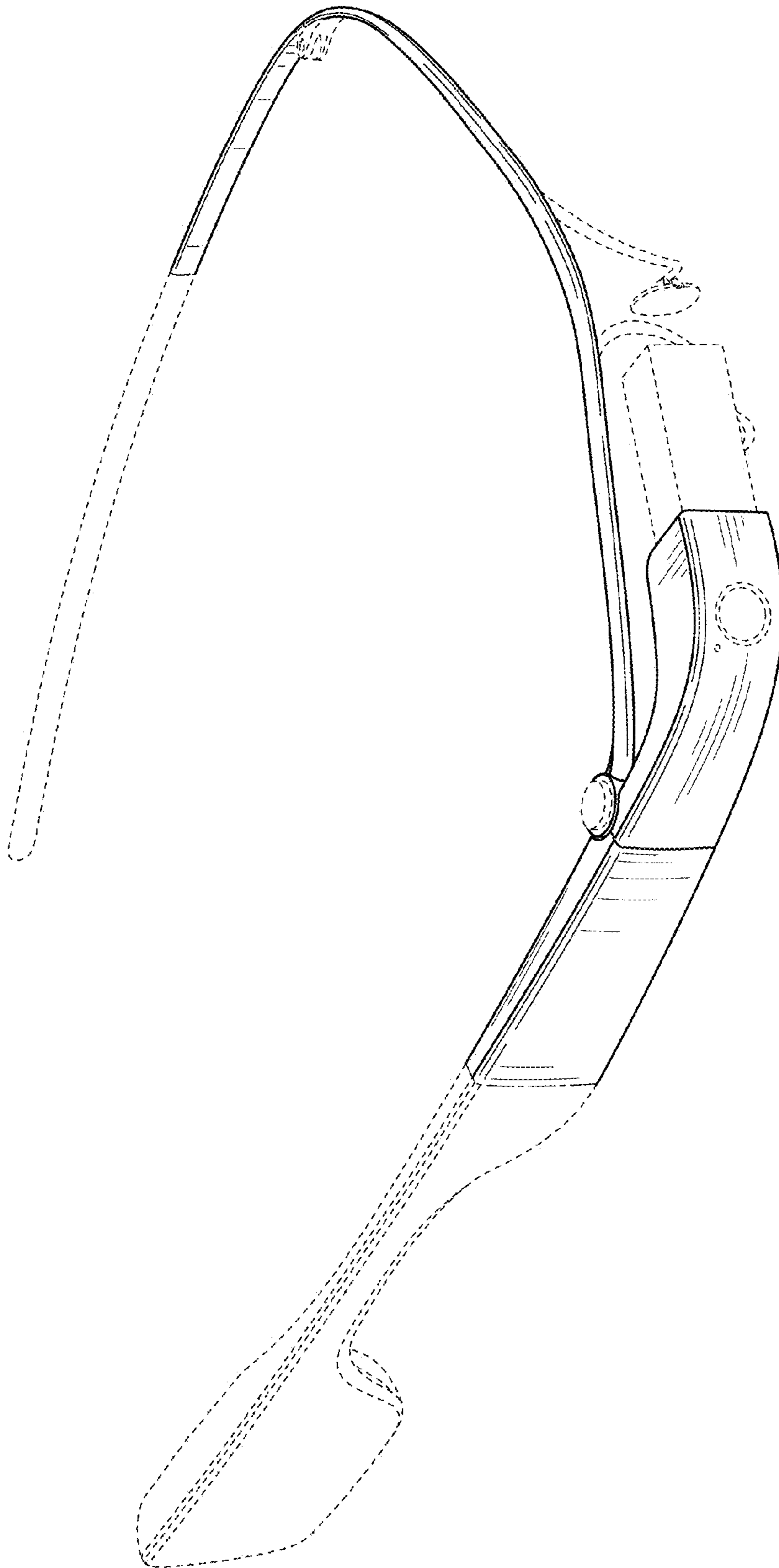


FIG. 1

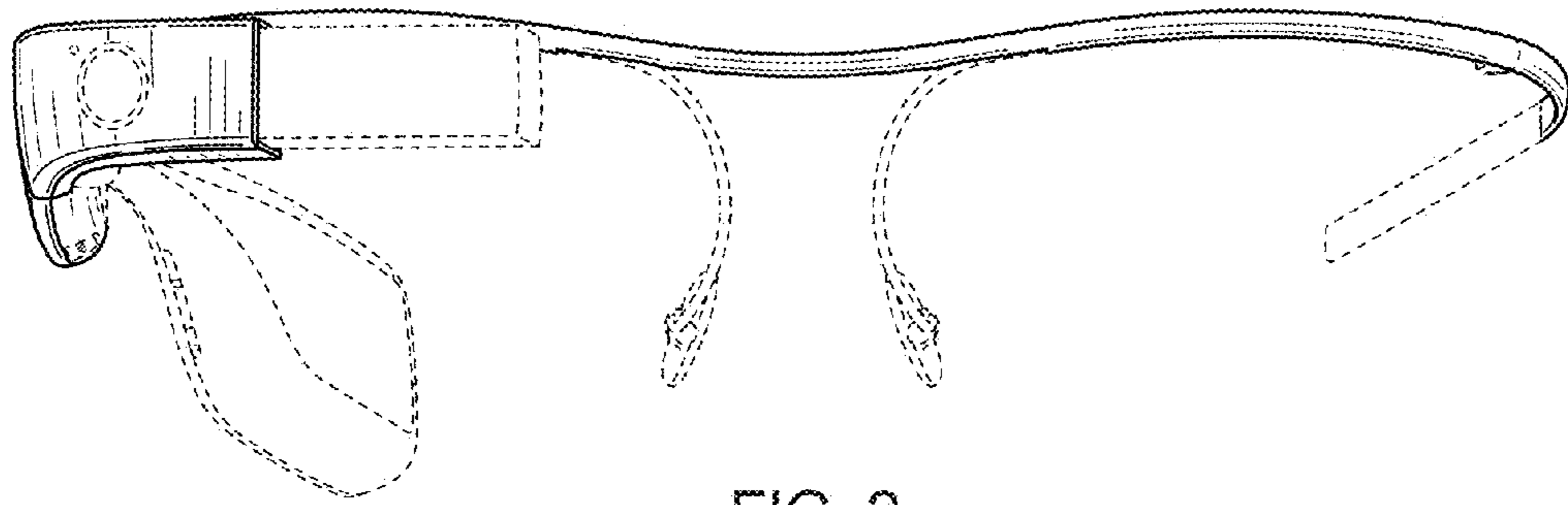


FIG. 2

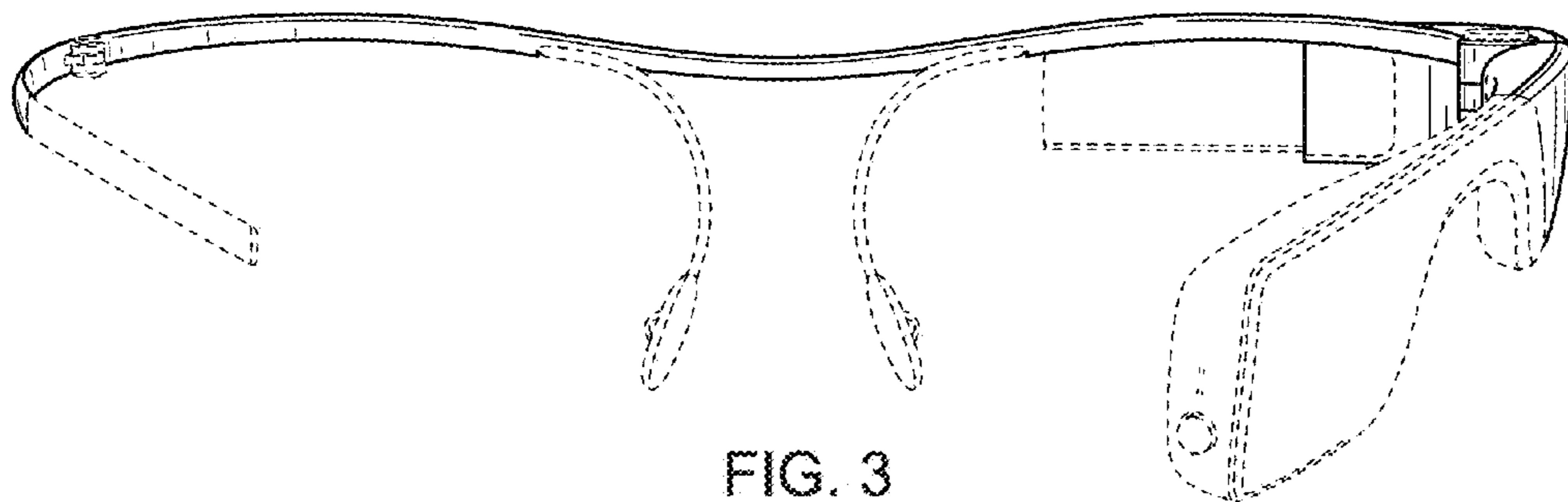


FIG. 3



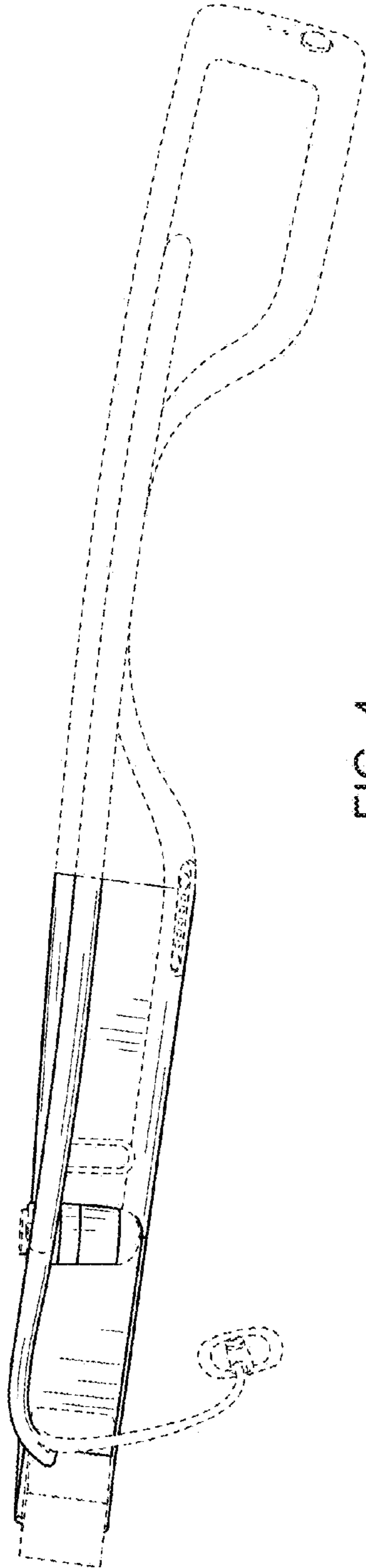


FIG. 4

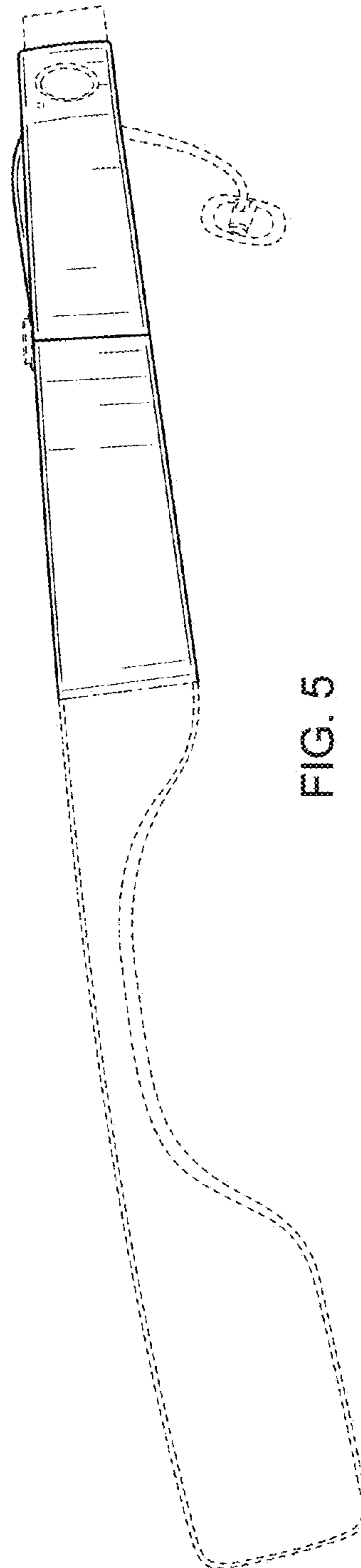


FIG. 5



FIG. 6

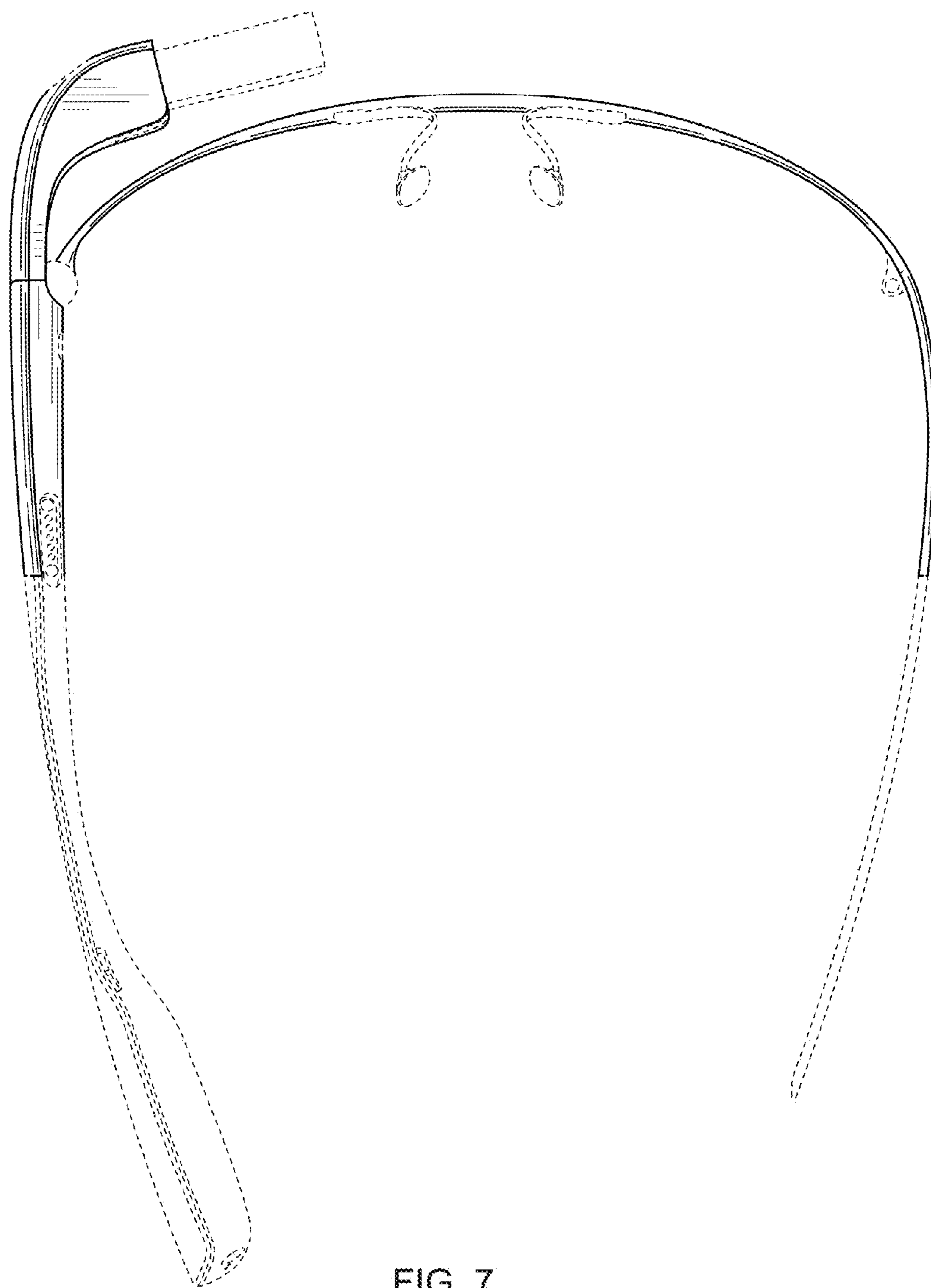


FIG. 7

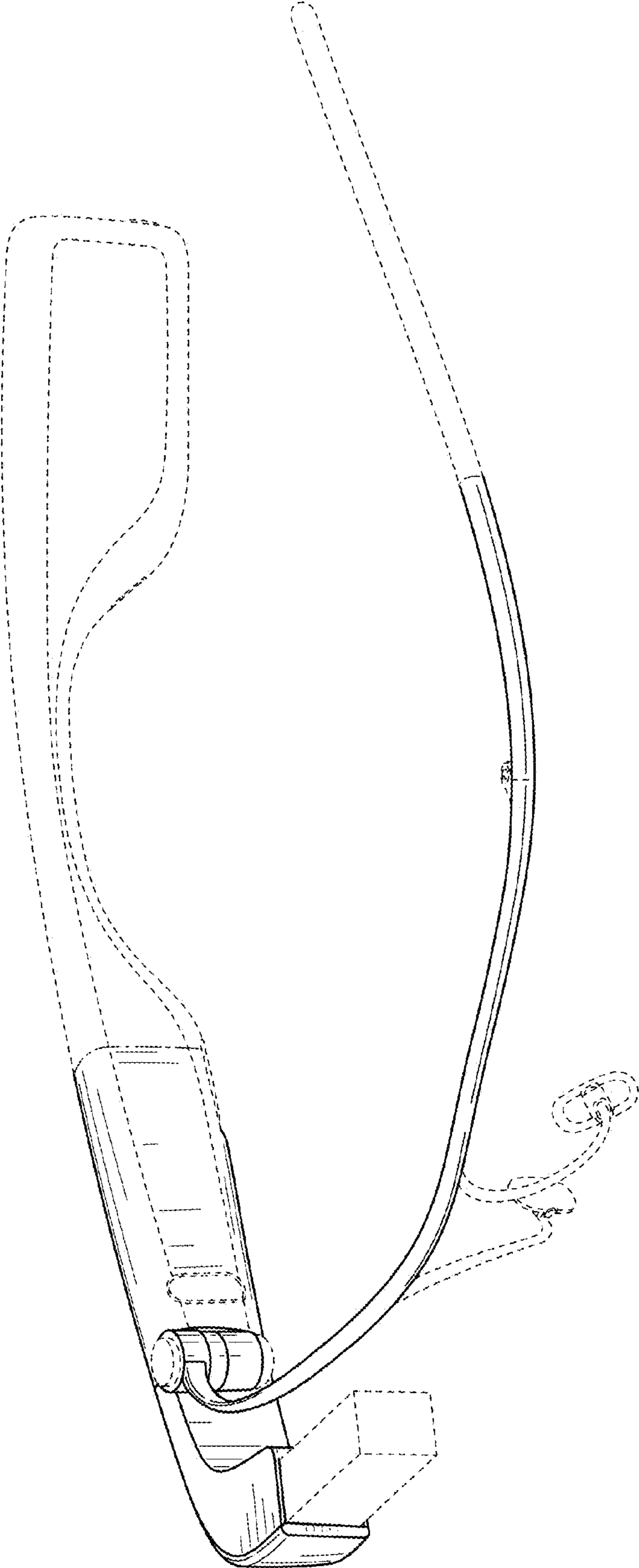


FIG. 8



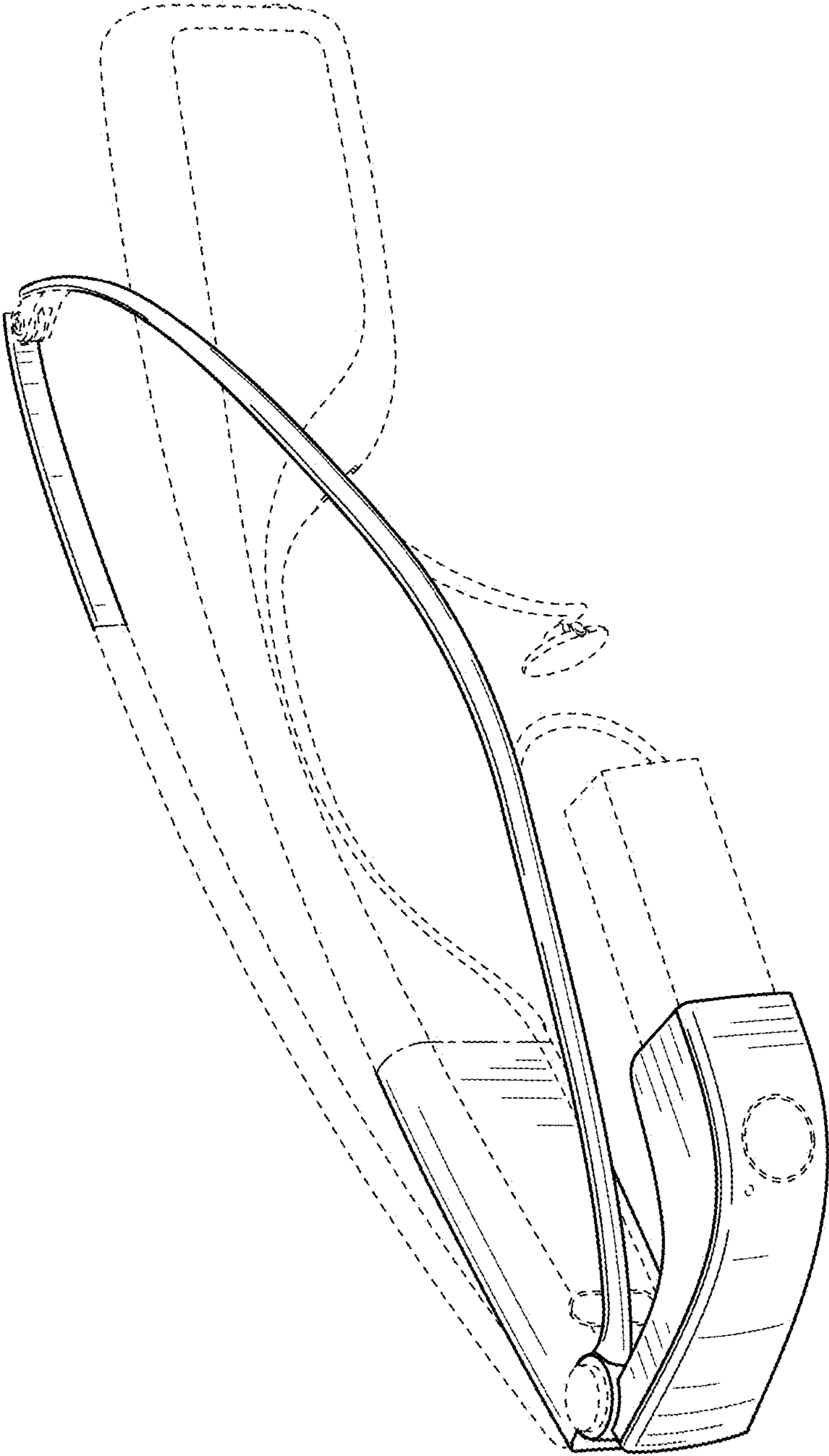


FIG. 9

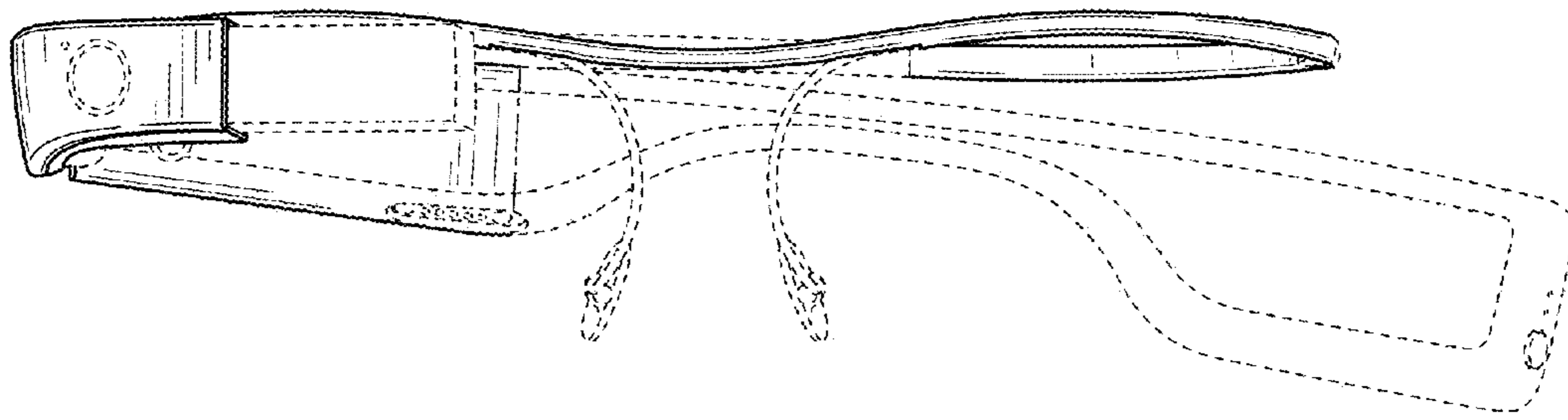


FIG. 10

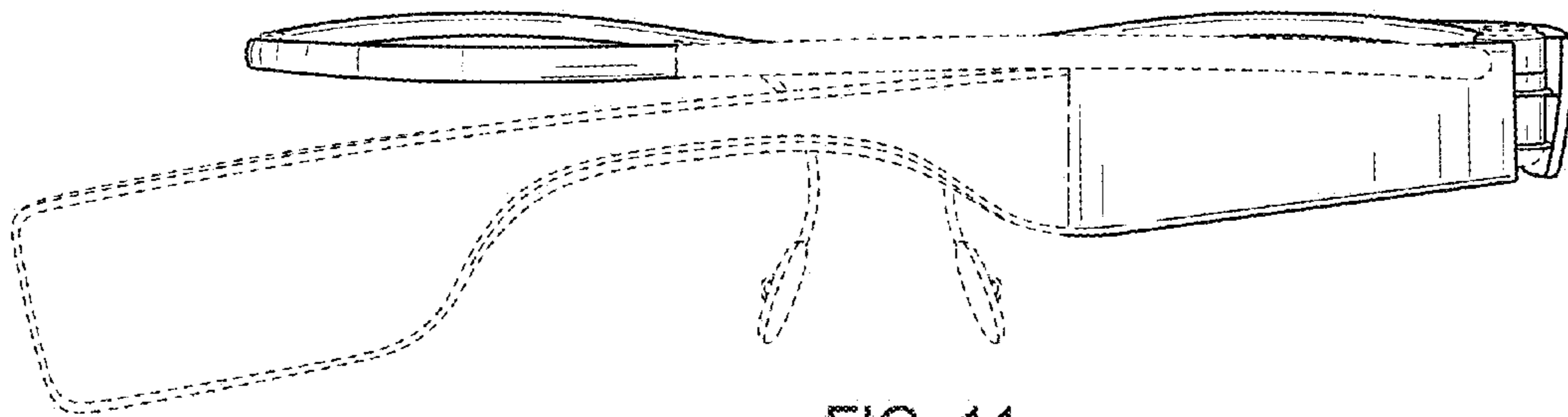


FIG. 11

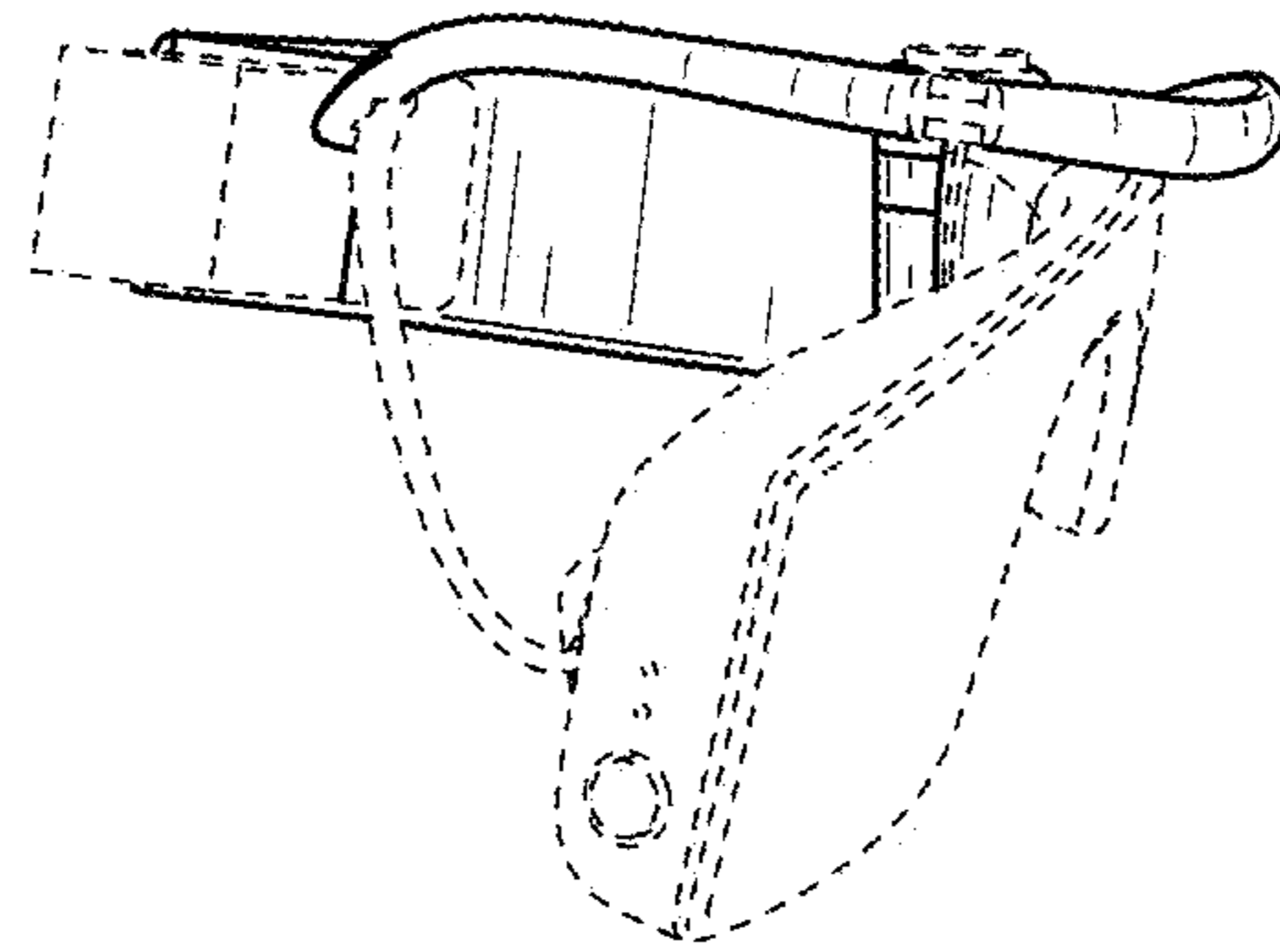


FIG. 12

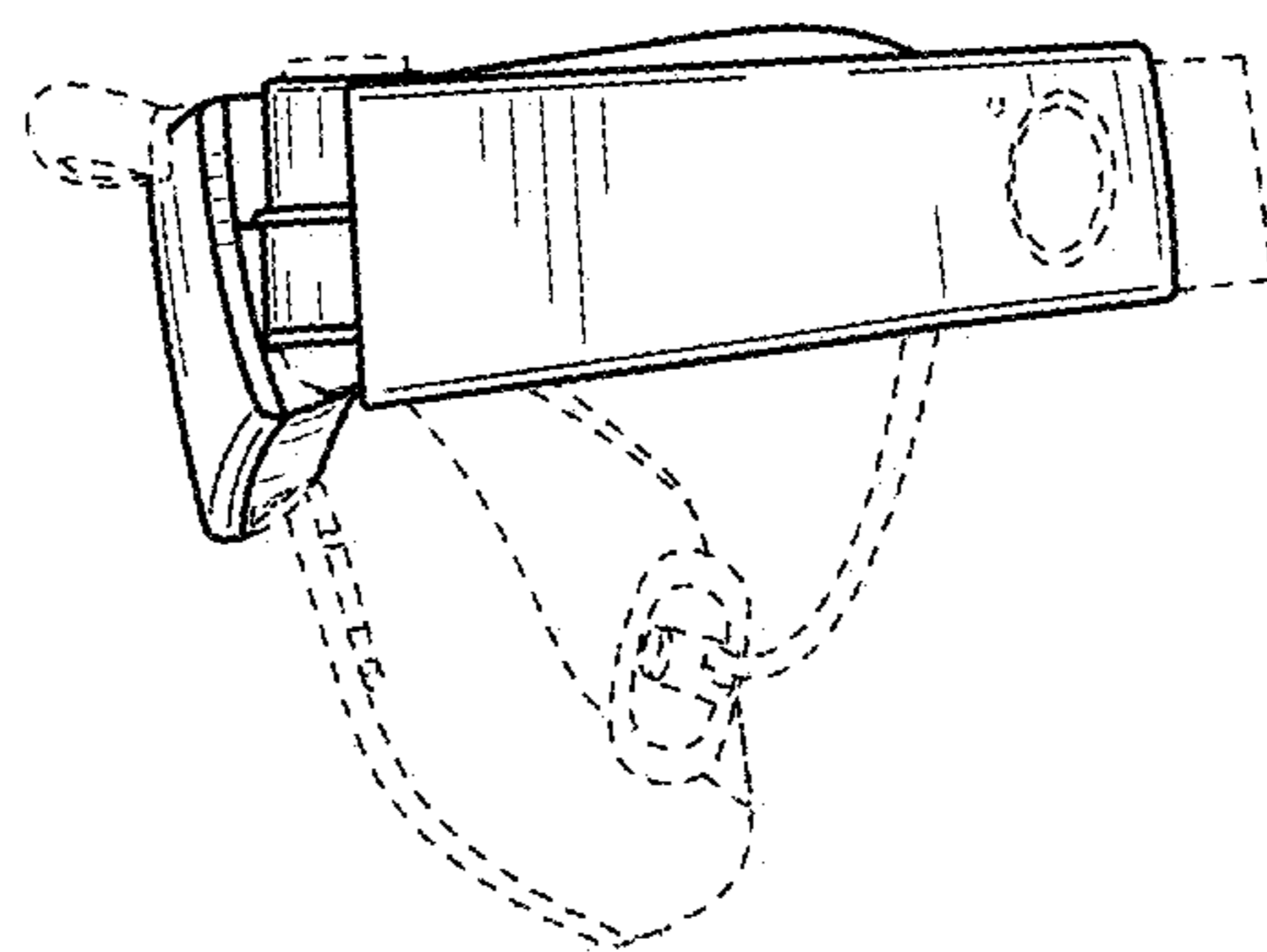


FIG. 13

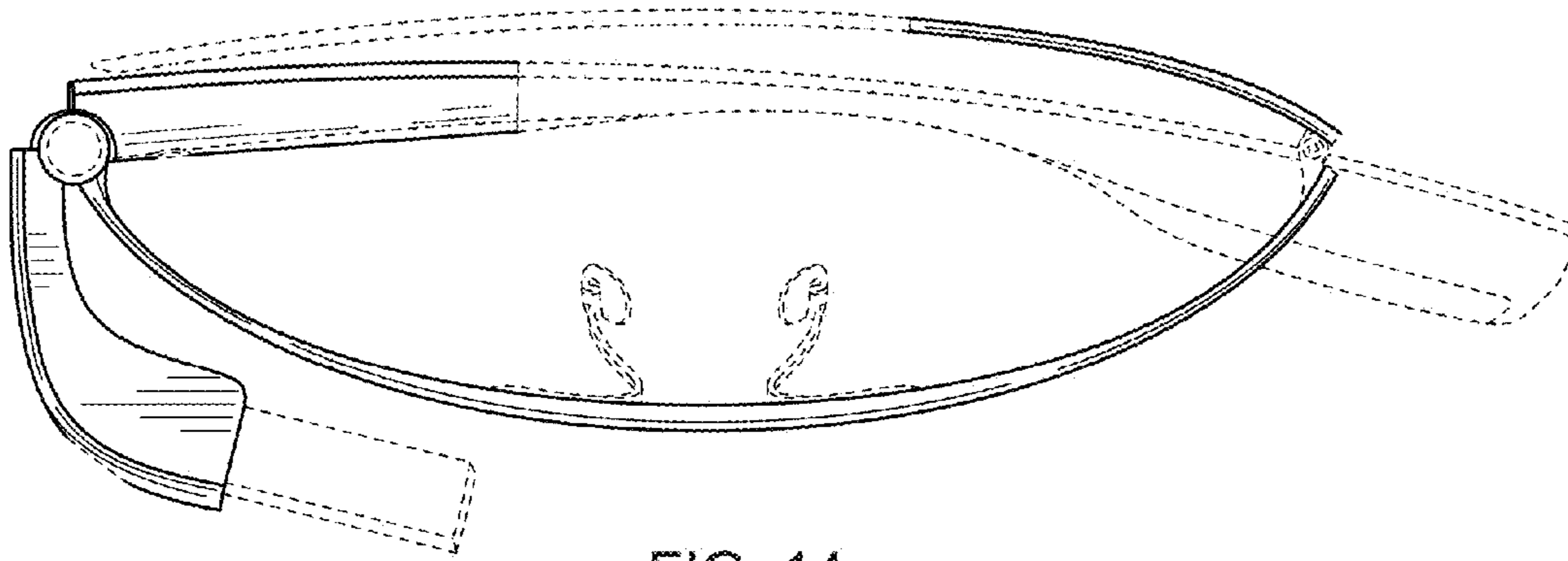


FIG. 14

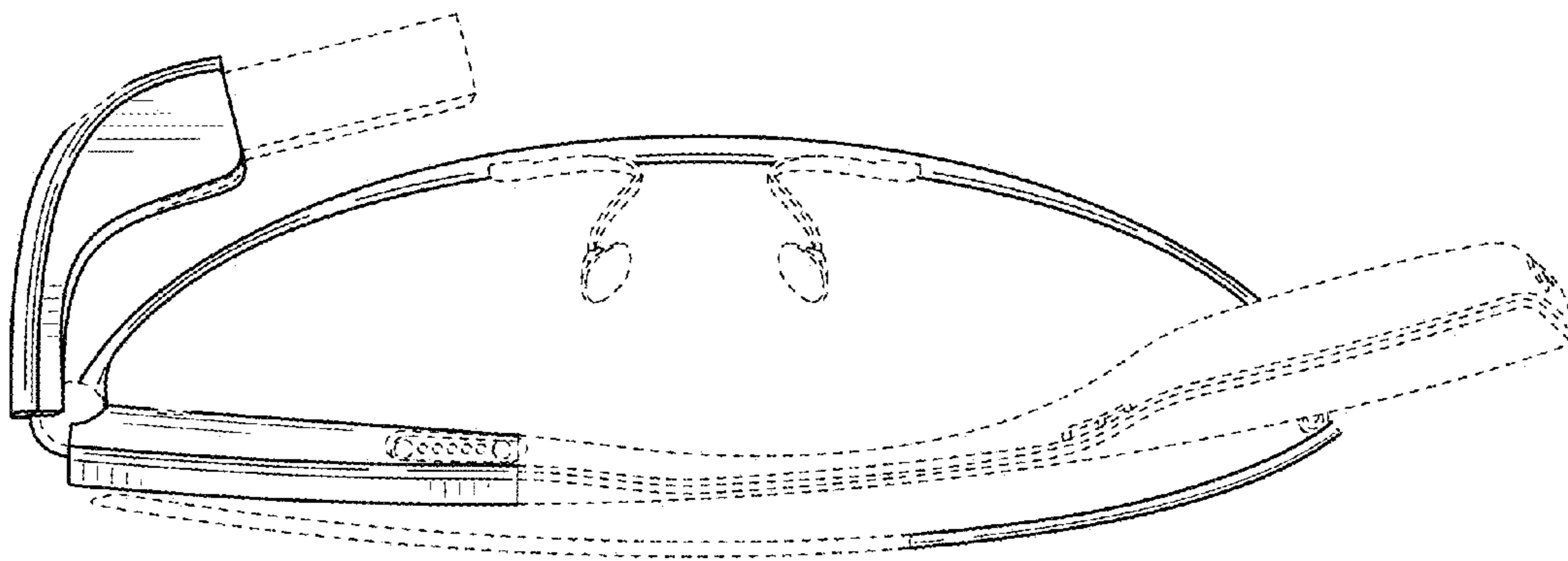


FIG. 15

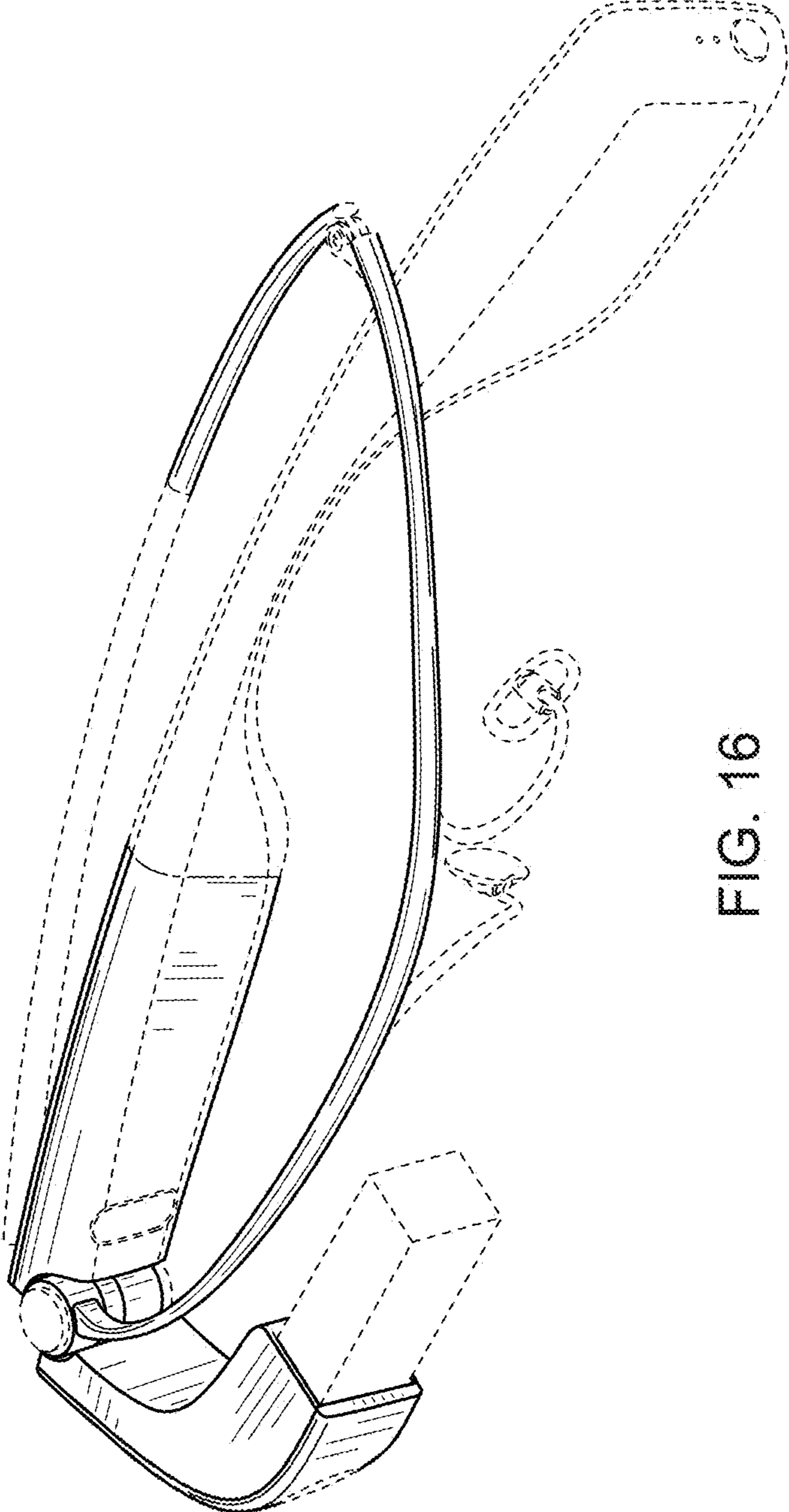


FIG. 16