



US00D763256S

(12) **United States Design Patent**
Zellweger et al.

(10) **Patent No.:** **US D763,256 S**

(45) **Date of Patent:** **** Aug. 9, 2016**

(54) **HEAD MOUNTED DISPLAY**

(71) Applicant: **HTC Corporation**, Taoyuan (TW)

(72) Inventors: **Claude Zellweger**, San Francisco, CA (US); **Brent Edward Barberis**, San Francisco, CA (US); **Catherine Sayim Kim**, San Francisco, CA (US); **Carl Samuel Conlee, IV**, San Francisco, CA (US); **Benjamin Kai Norman Robertson**, San Francisco, CA (US)

(73) Assignee: **HTC Corporation**, Taoyuan (TW)

(**) Term: **14 Years**

(21) Appl. No.: **29/517,944**

(22) Filed: **Feb. 18, 2015**

(51) **LOC (10) Cl.** **14-02**

(52) **U.S. Cl.**
USPC **D14/372**

(58) **Field of Classification Search**
USPC D14/372, 496, 432, 371, 125, 126, 129, D14/299; D16/300-342; 351/158, 153, 144; 345/7-9, 905; 455/344; 348/115, 53, 348/121, 739
CPC G02B 27/017; G02B 27/0158; G02B 27/0161; G02B 27/0181; G02B 27/0185; G02B 27/0189

See application file for complete search history.

(56) **References Cited**

U.S. PATENT DOCUMENTS

D338,514 S	*	8/1993	Holmes	D14/372
D363,482 S	*	10/1995	Robinson	D14/372
D369,595 S	*	5/1996	Kober	D14/372
D375,495 S	*	11/1996	MacIness	D14/372
D415,146 S	*	10/1999	Hori	D14/372
D440,967 S	*	4/2001	Jung	D14/372
D645,862 S	*	9/2011	Paul	D14/372

D669,471 S	*	10/2012	Hwang	D14/372
D687,434 S	*	8/2013	Serota	D14/372
D701,206 S	*	3/2014	Luckey	D14/372

(Continued)

FOREIGN PATENT DOCUMENTS

JP	1502748 S	7/2015
JP	1536193 S	10/2015

(Continued)

Primary Examiner — Austin Murphy

(74) *Attorney, Agent, or Firm* — Birch, Stewart, Kolasch & Birch, LLP

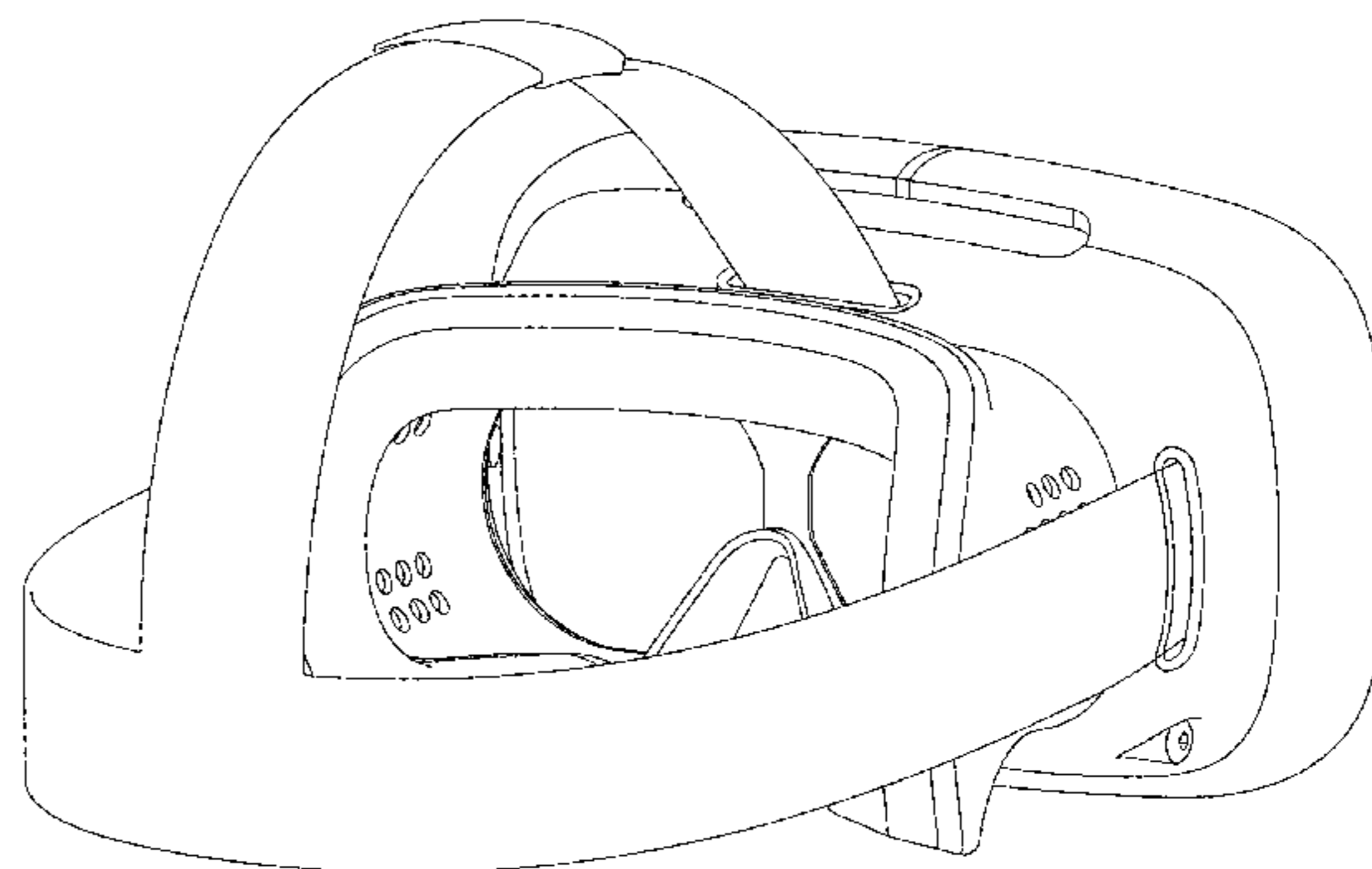
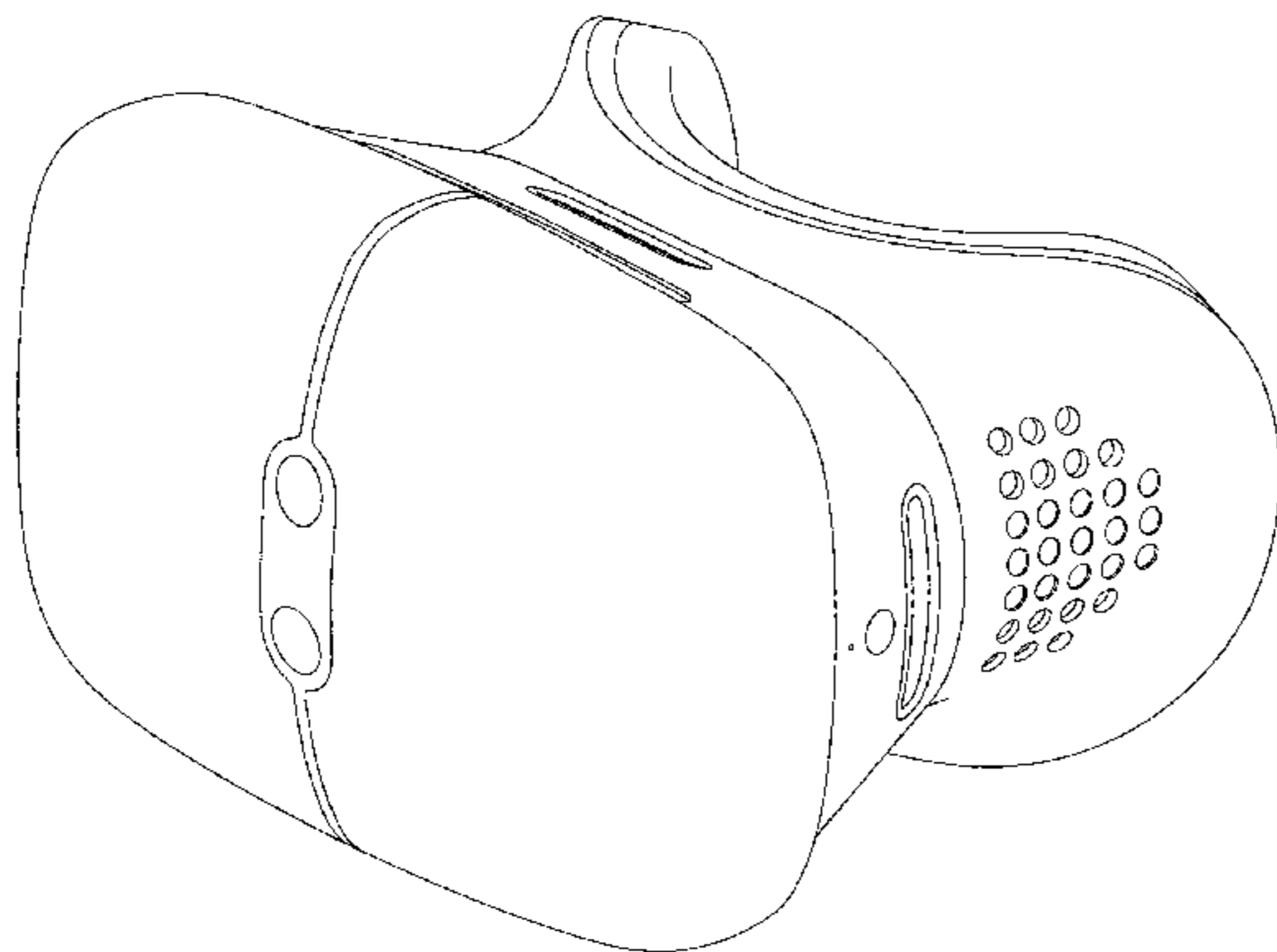
(57) **CLAIM**

The ornamental design for head mounted display, as shown and described.

DESCRIPTION

FIG. 1 is a front perspective view of a first embodiment of a head mounted display in accordance with our new design; FIG. 2 is a front view thereof; FIG. 3 is a rear view thereof; FIG. 4 is a left side view thereof; FIG. 5 is a right side view thereof; FIG. 6 is a top plan view thereof; FIG. 7 is a bottom plan view thereof; FIG. 8 is a rear perspective view thereof; FIG. 9 is a front perspective view of a second embodiment of a head mounted display in accordance with our new design; FIG. 10 is a front view thereof; FIG. 11 is a rear view thereof; FIG. 12 is a left side view thereof; FIG. 13 is a right side view thereof; FIG. 14 is a top plan view thereof; FIG. 15 is a bottom plan view thereof; and, FIG. 16 is a rear perspective view thereof. The broken lines throughout the views form no part of the claimed design.

1 Claim, 16 Drawing Sheets



(56)

References Cited

U.S. PATENT DOCUMENTS

D704,706 S * 5/2014 Serota D14/372
D719,953 S * 12/2014 Nokuo D14/372
D727,318 S * 4/2015 Garcia Marin D14/372
D732,028 S * 6/2015 Kim D14/372
D738,374 S * 9/2015 Luckey D14/372
D739,855 S * 9/2015 Bosveld D14/372
D740,810 S * 10/2015 Bosveld D14/372
D740,815 S * 10/2015 Bosveld D14/372

D741,323 S * 10/2015 Bosveld D14/372
D741,324 S * 10/2015 Bosveld D14/372
D741,327 S * 10/2015 Reznik D14/372
D741,858 S * 10/2015 Bosveld D14/372

FOREIGN PATENT DOCUMENTS

JP 1536194 S 10/2015
TW D169753 S 8/2015

* cited by examiner

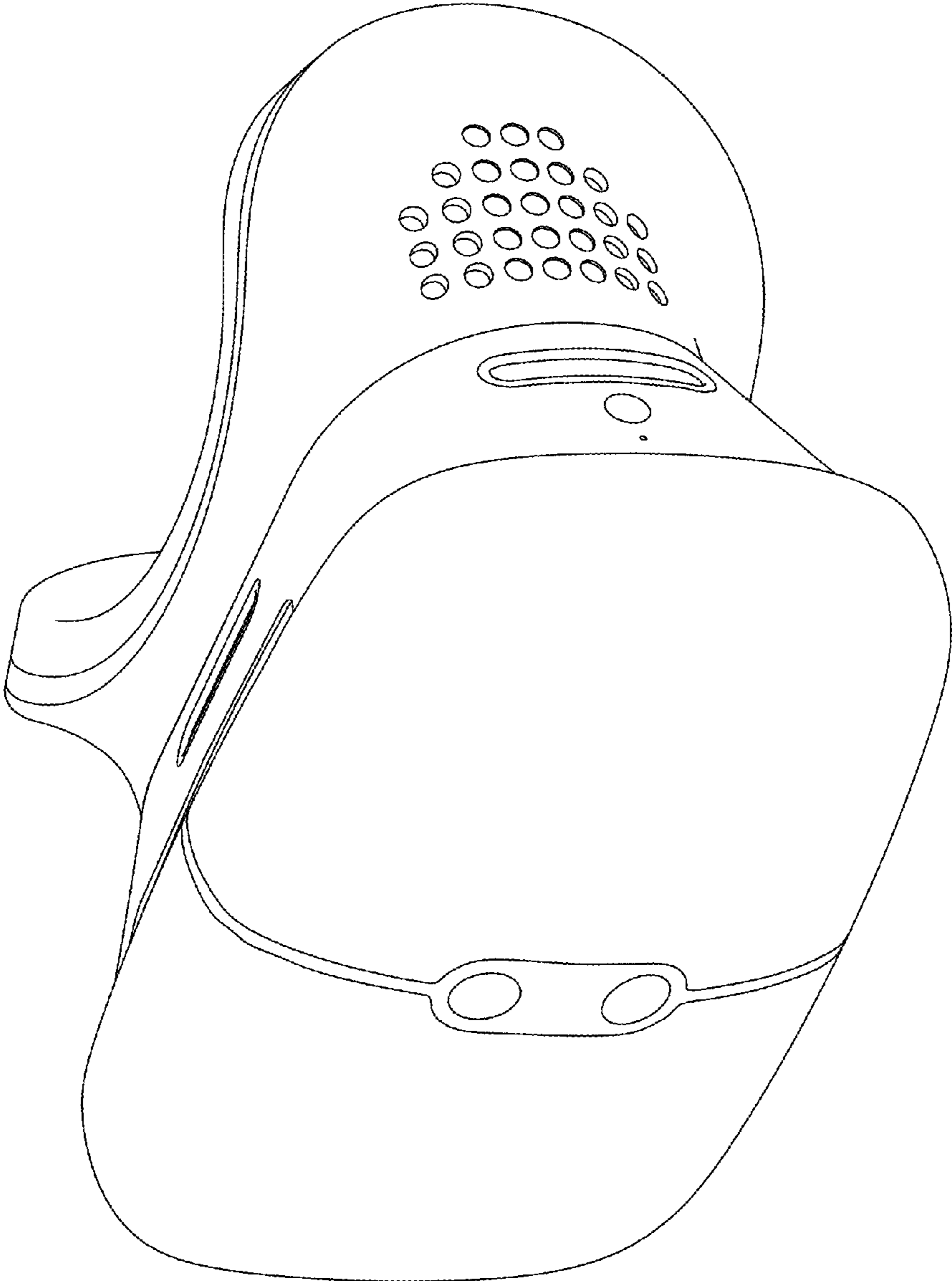


FIG. 1

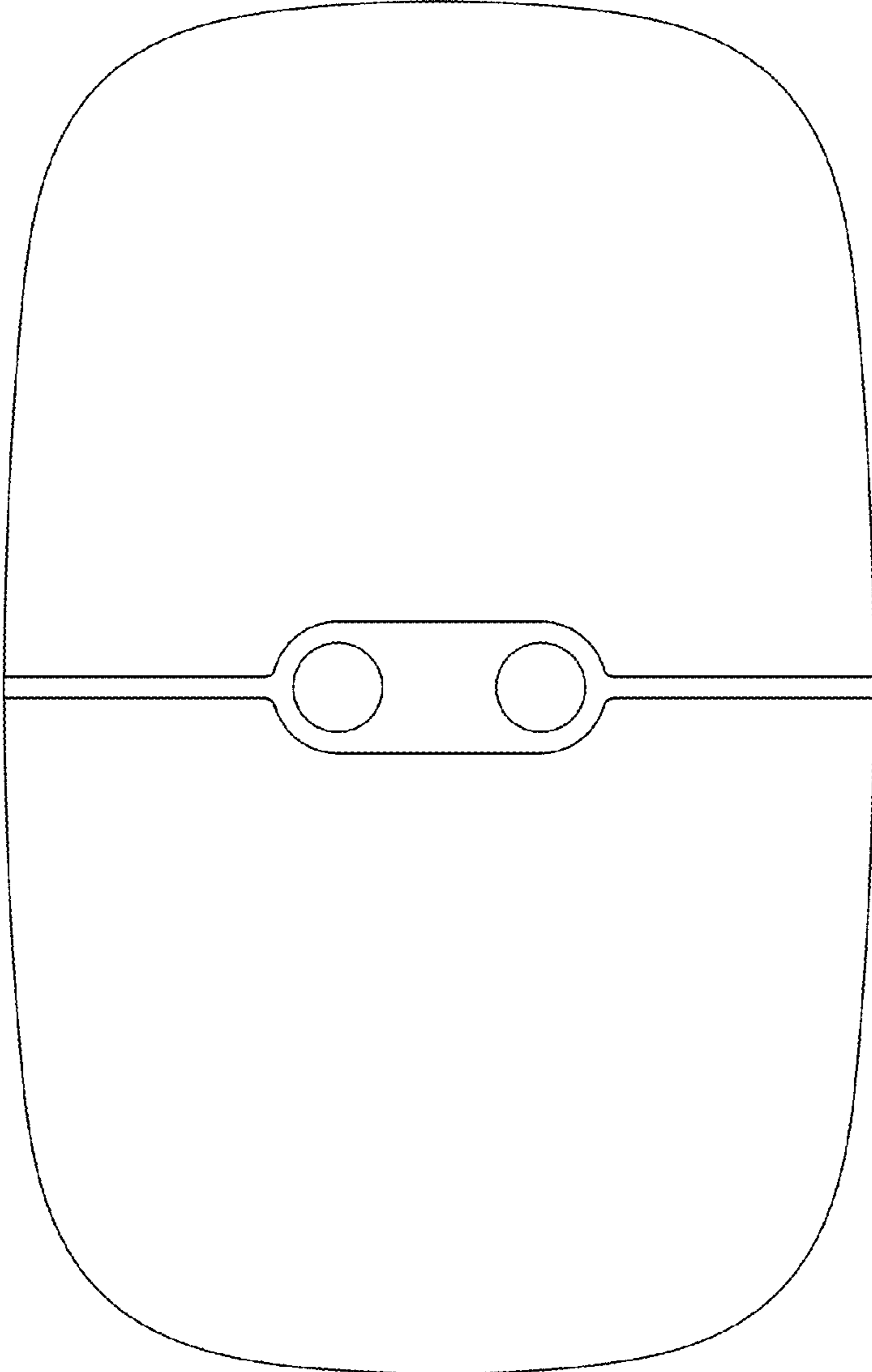


FIG. 2

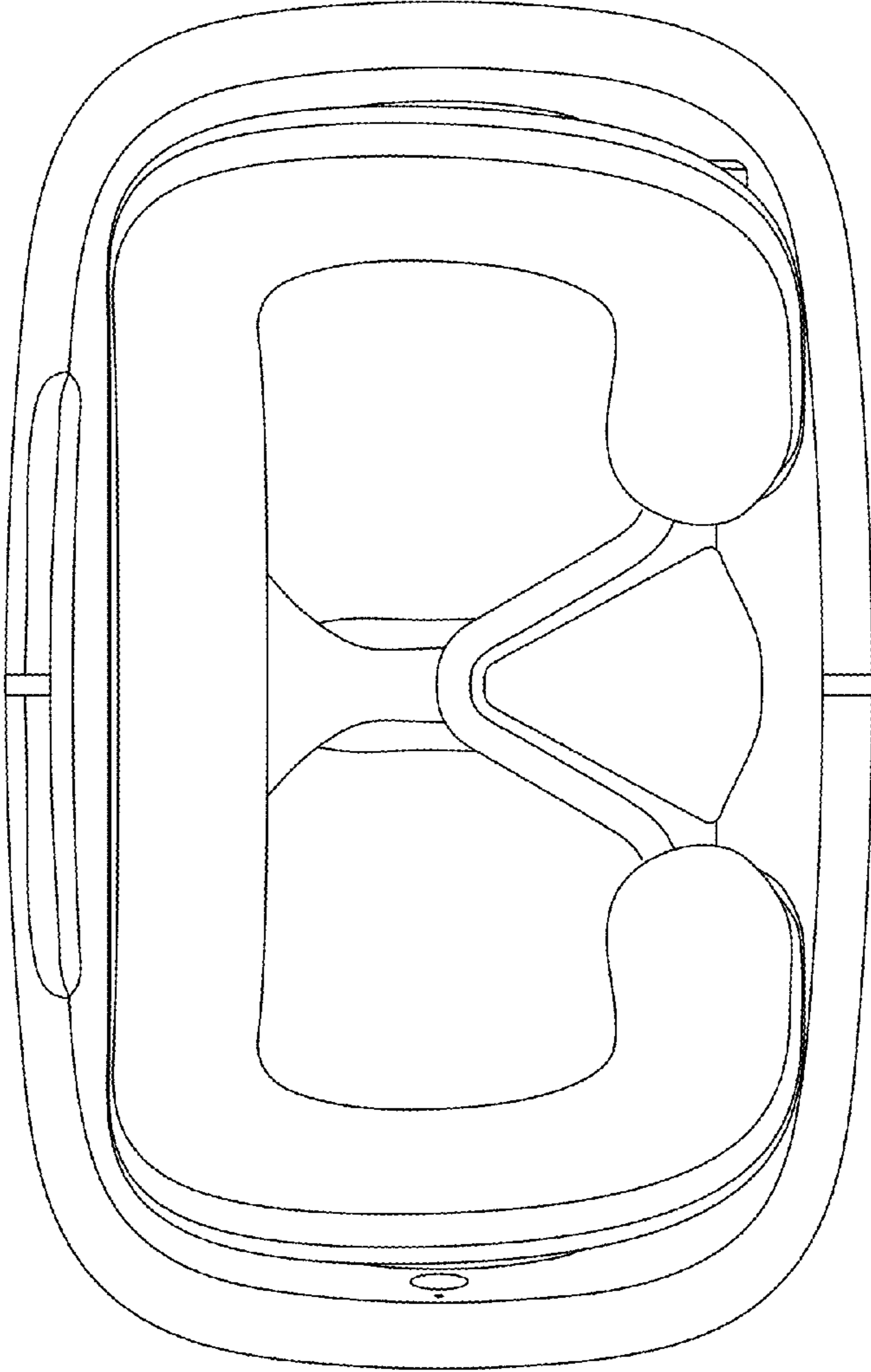


FIG. 3

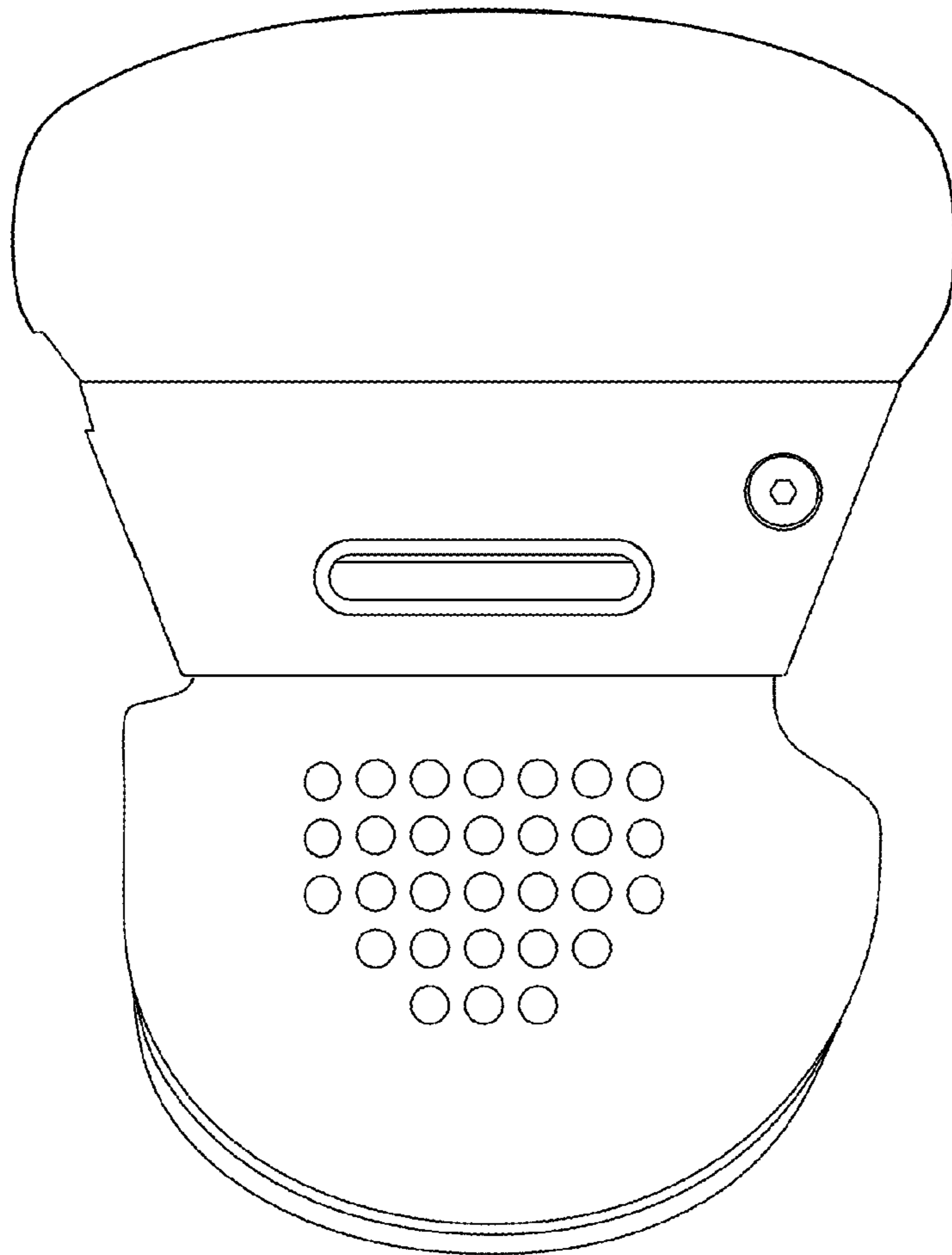


FIG. 4

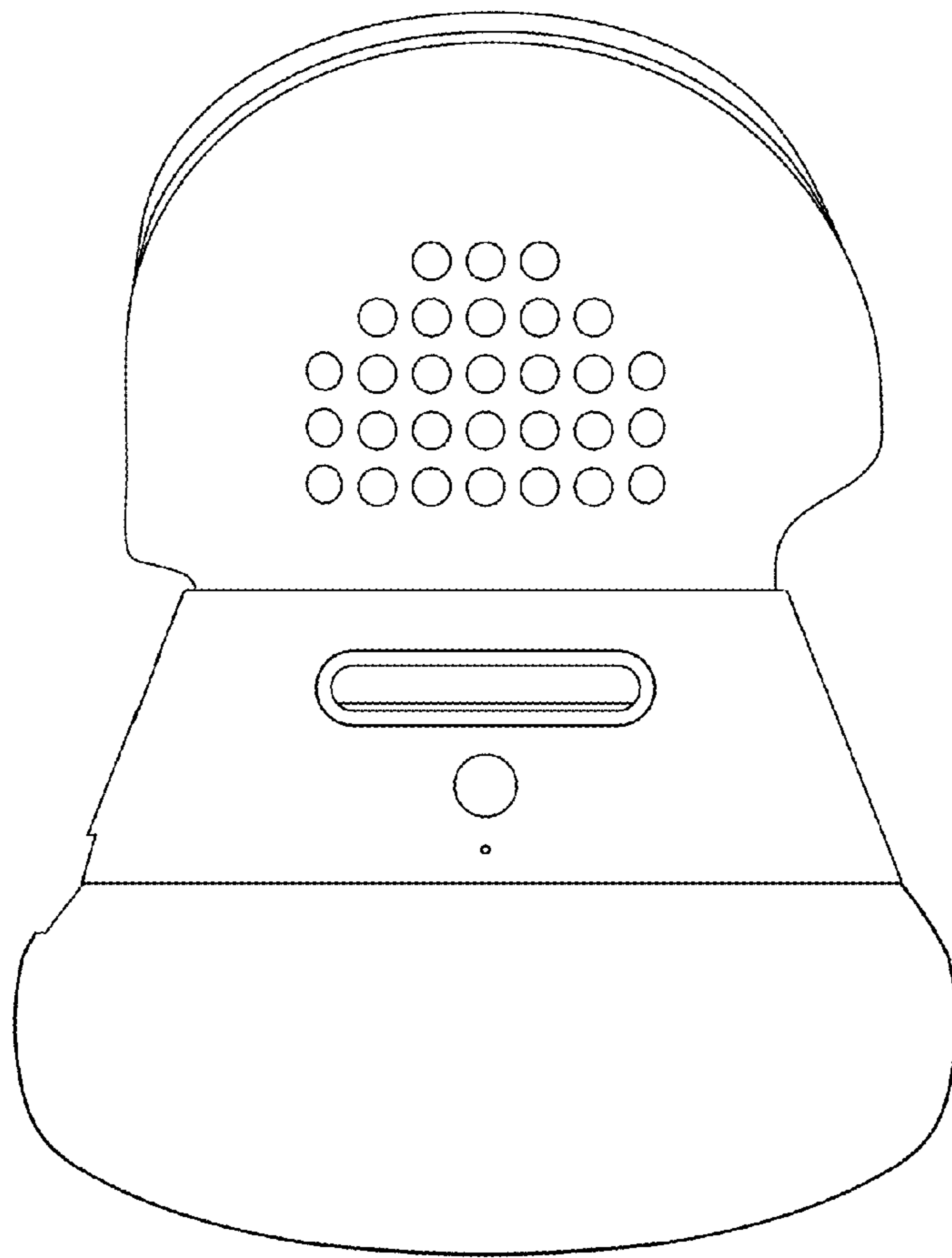


FIG. 5

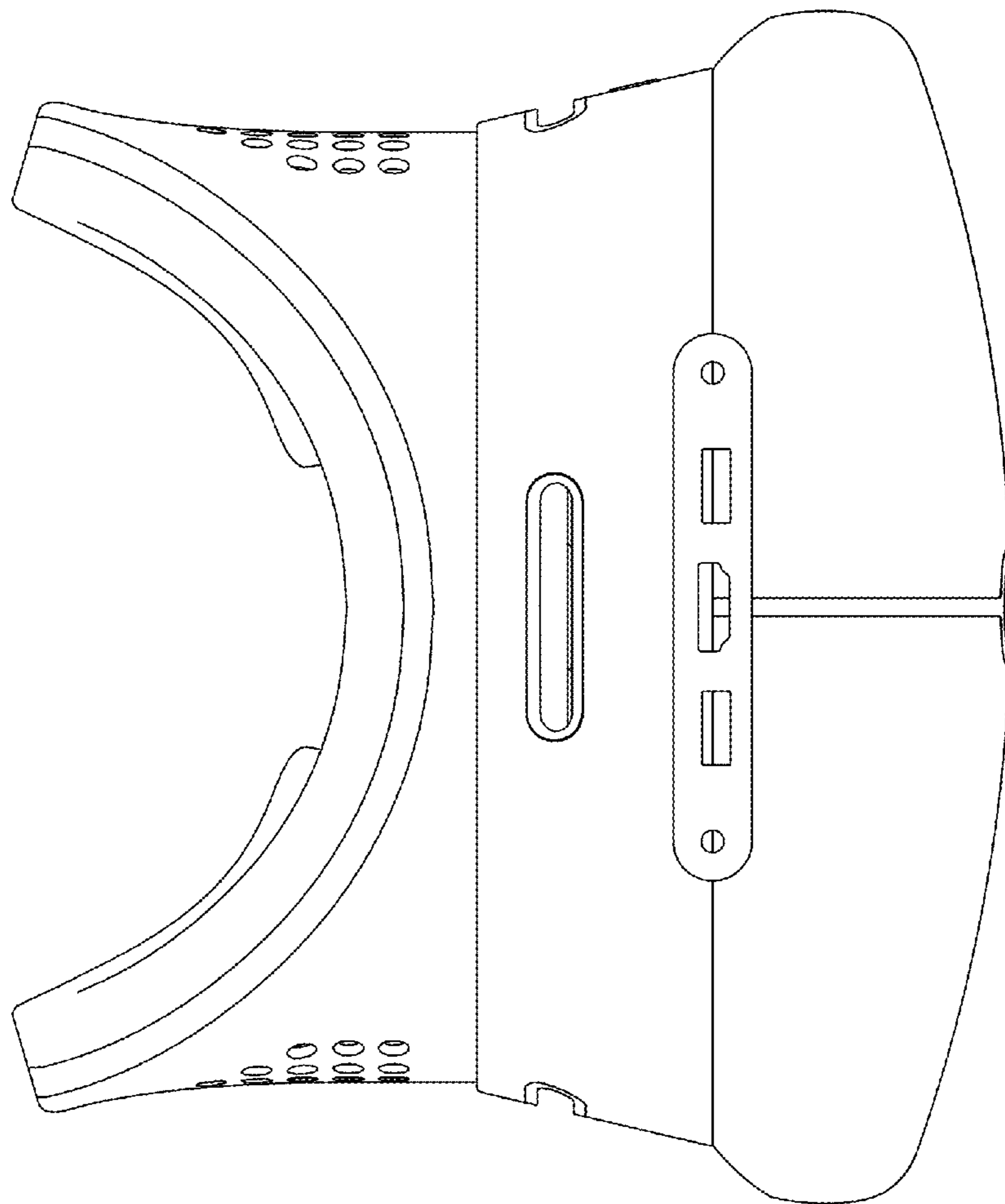


FIG. 6

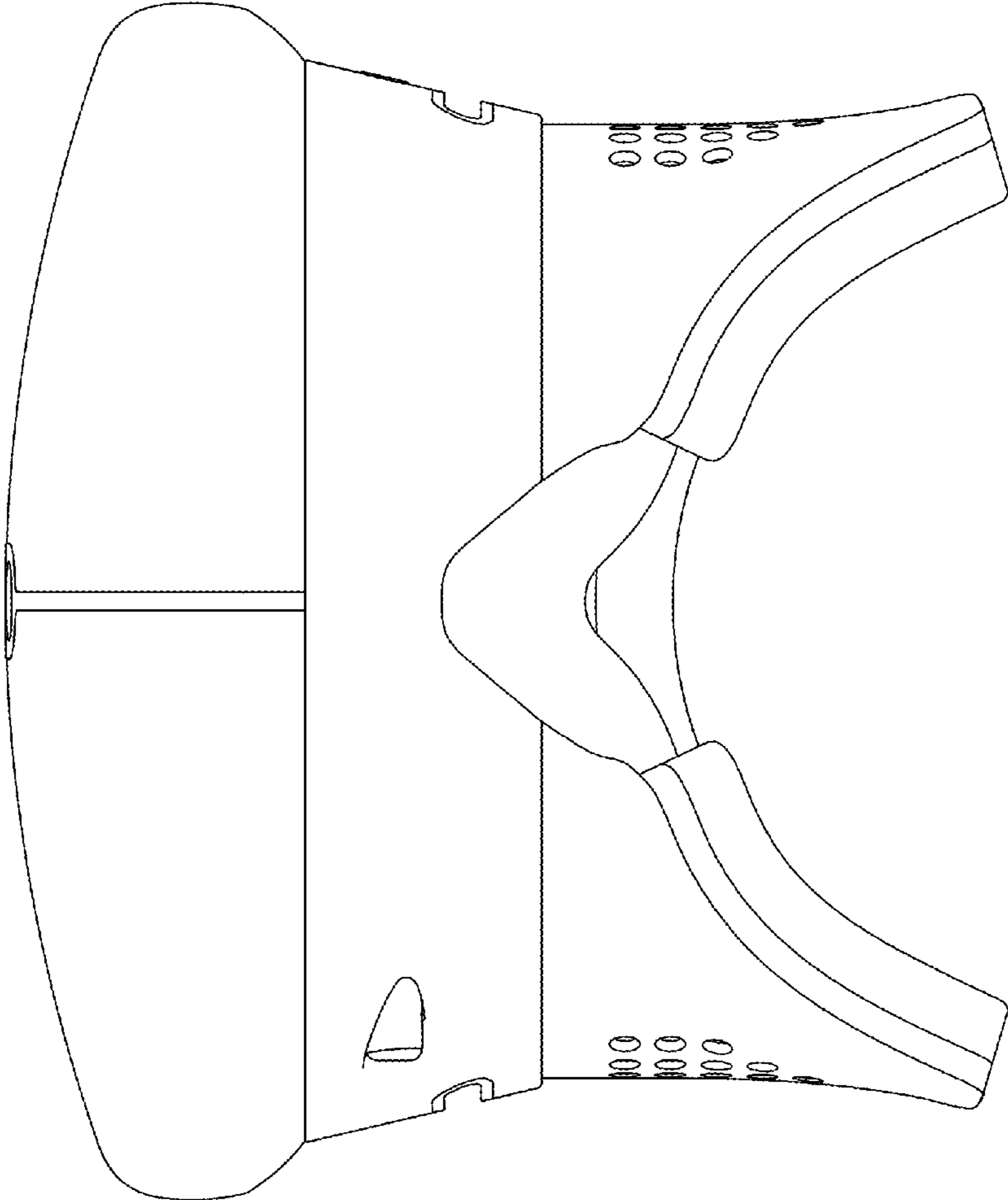


FIG. 7

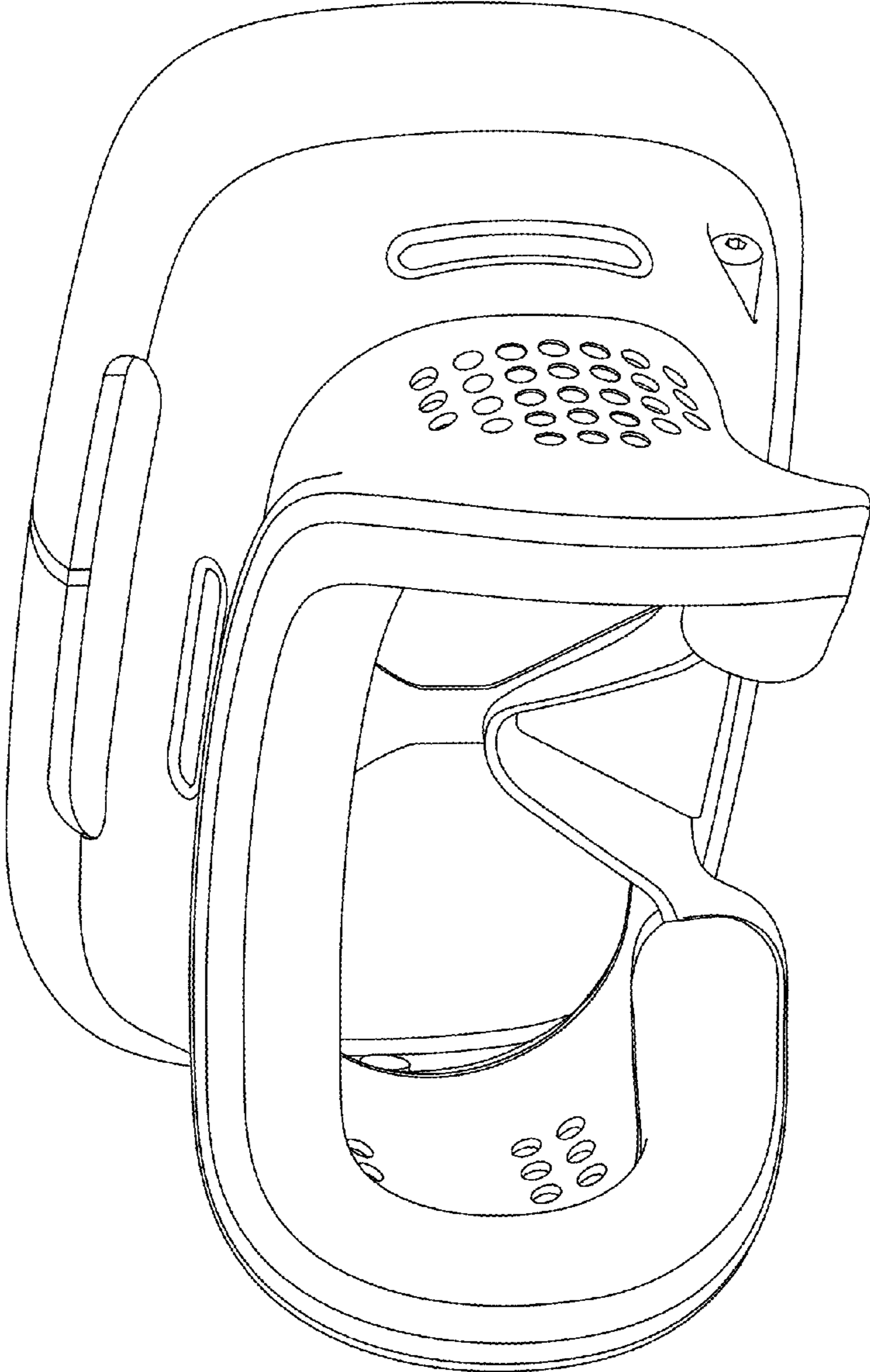


FIG. 8

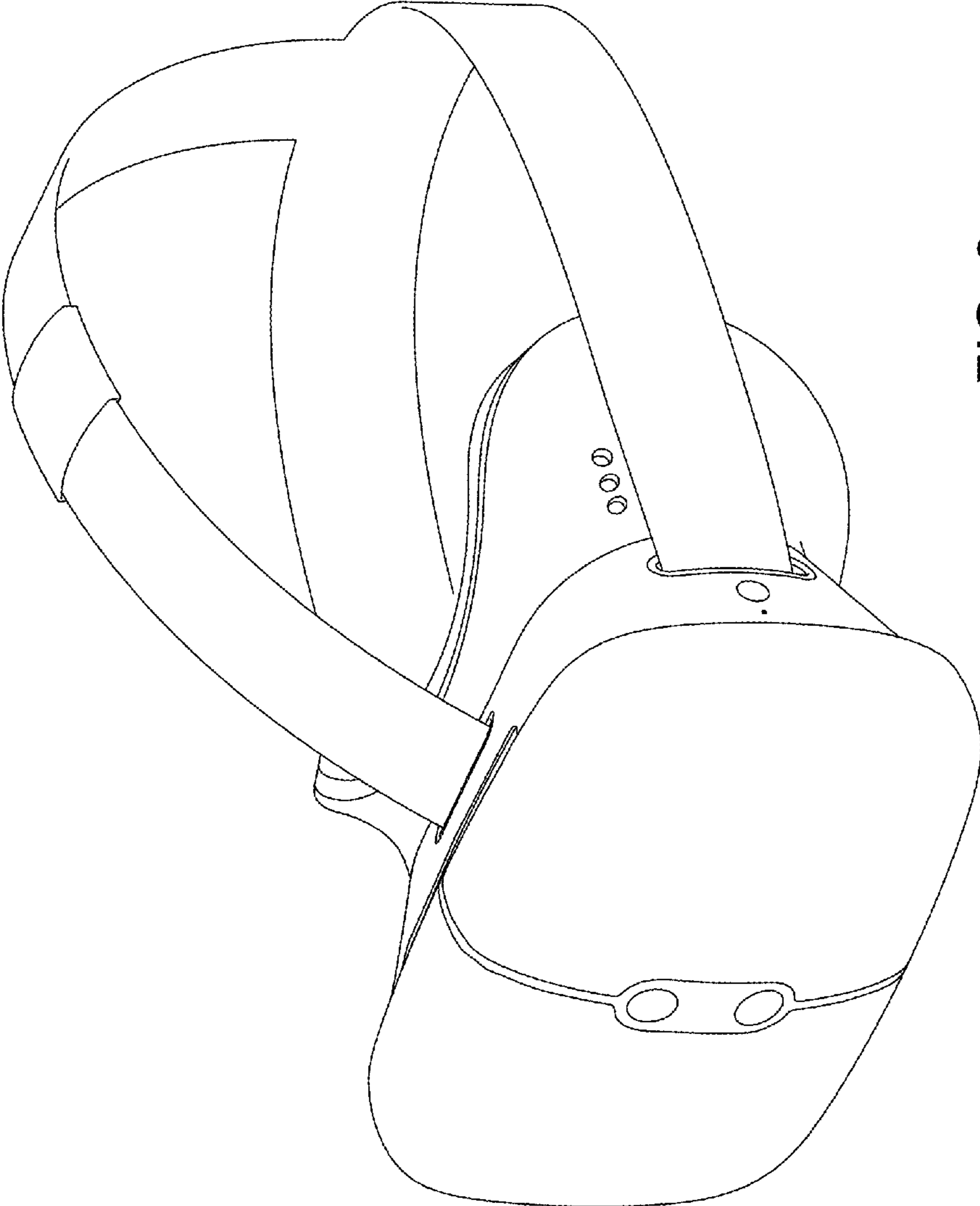


FIG. 9

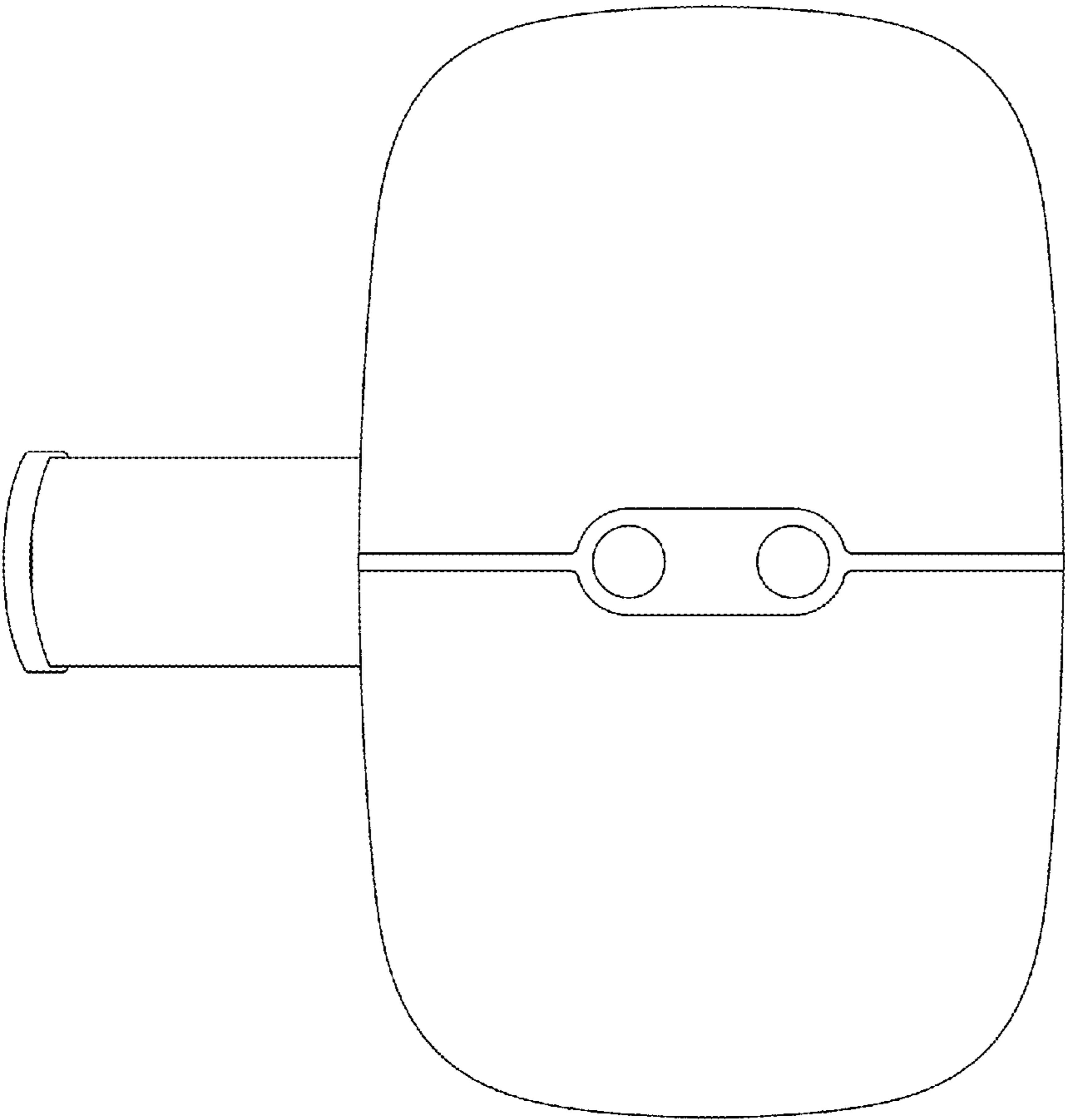


FIG. 10

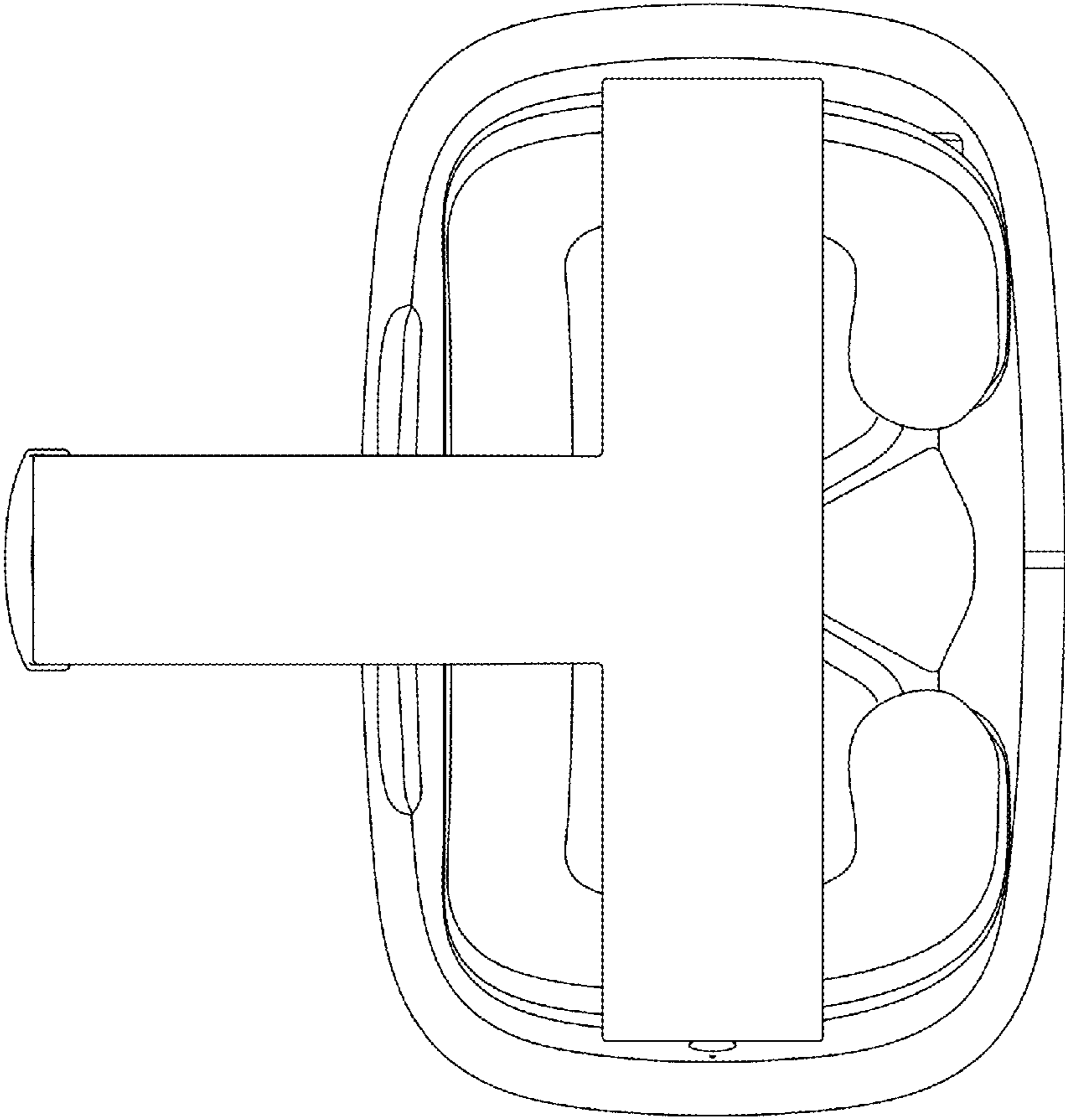


FIG. 11

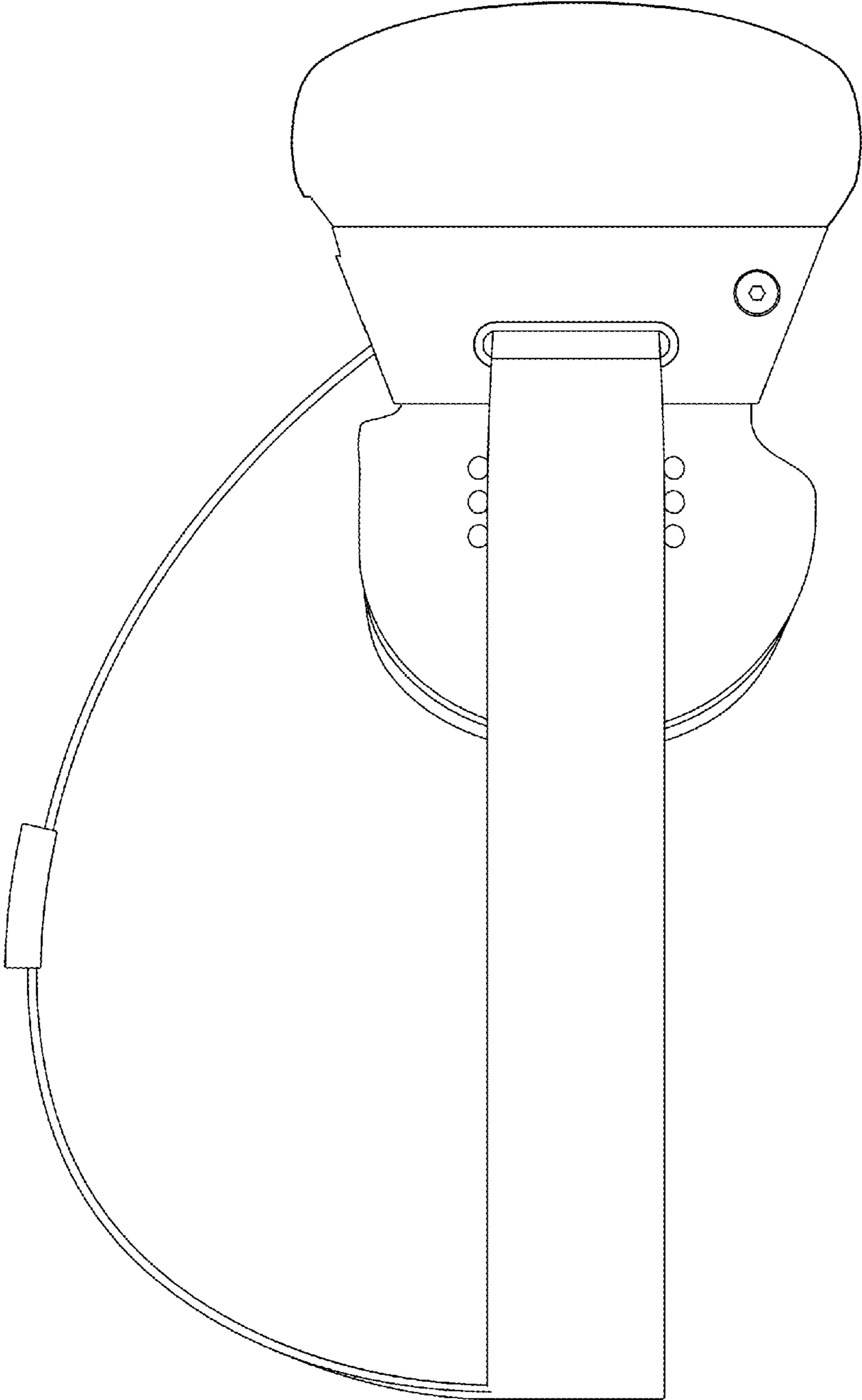


FIG. 12

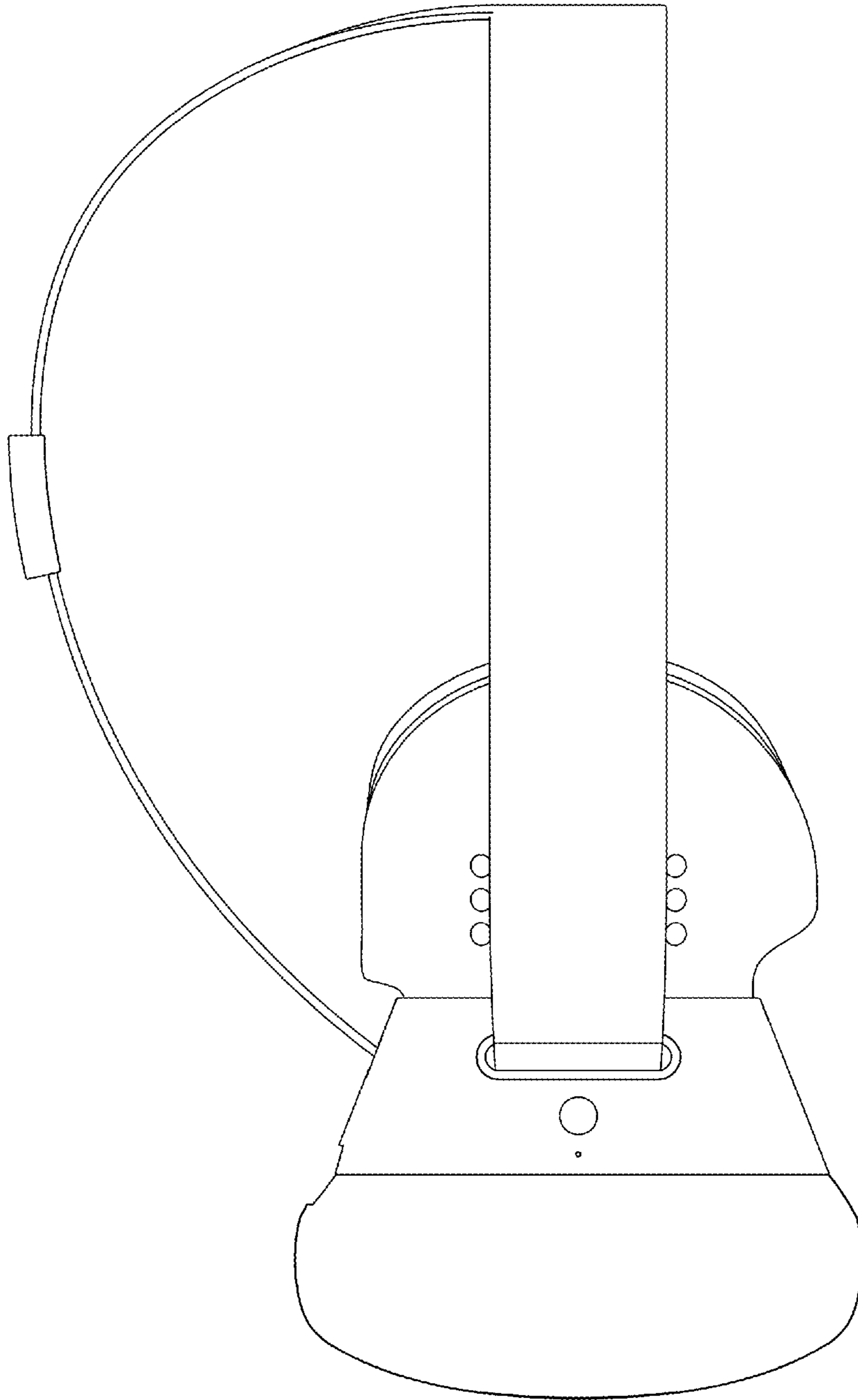


FIG. 13

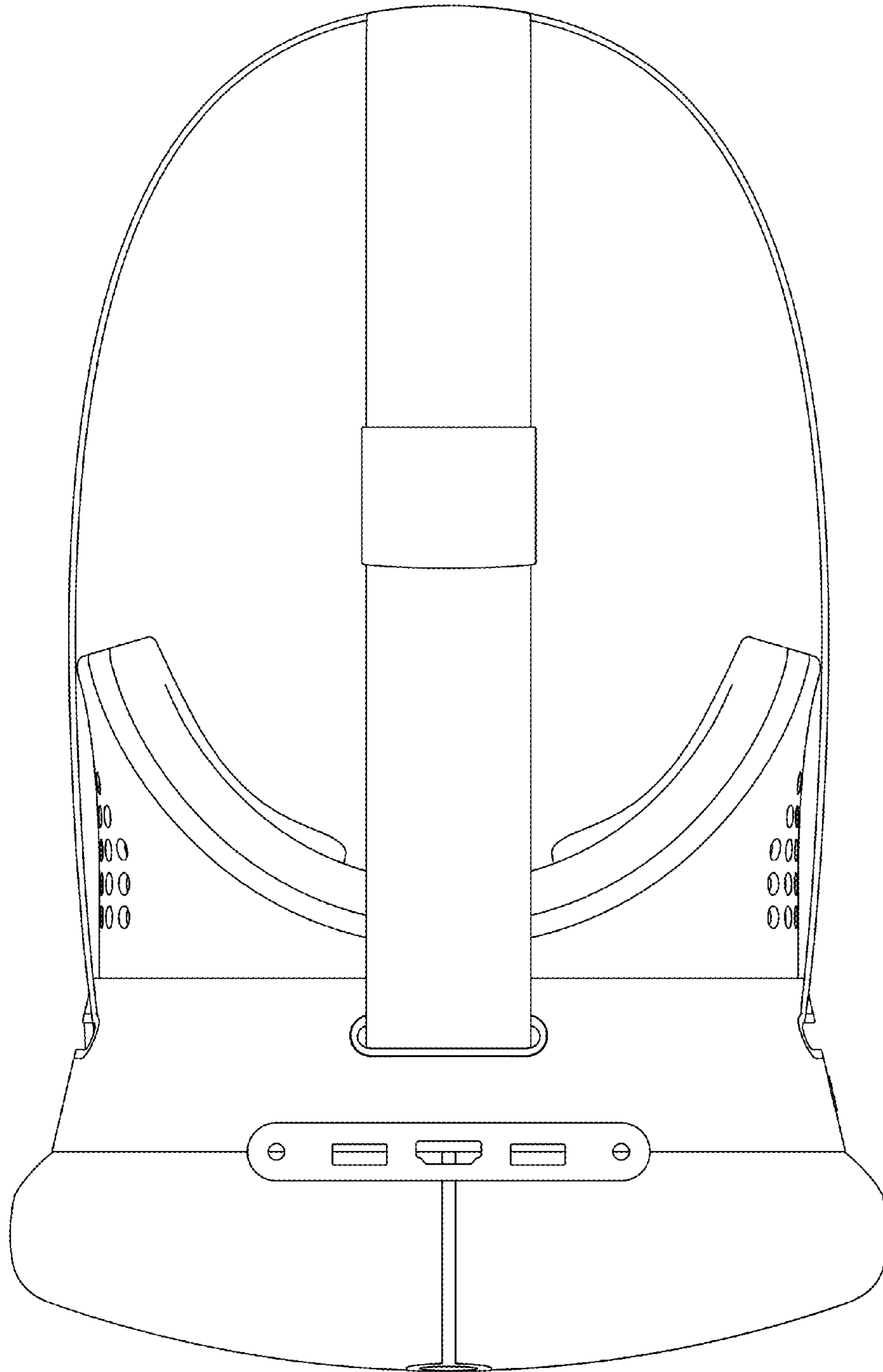


FIG. 14

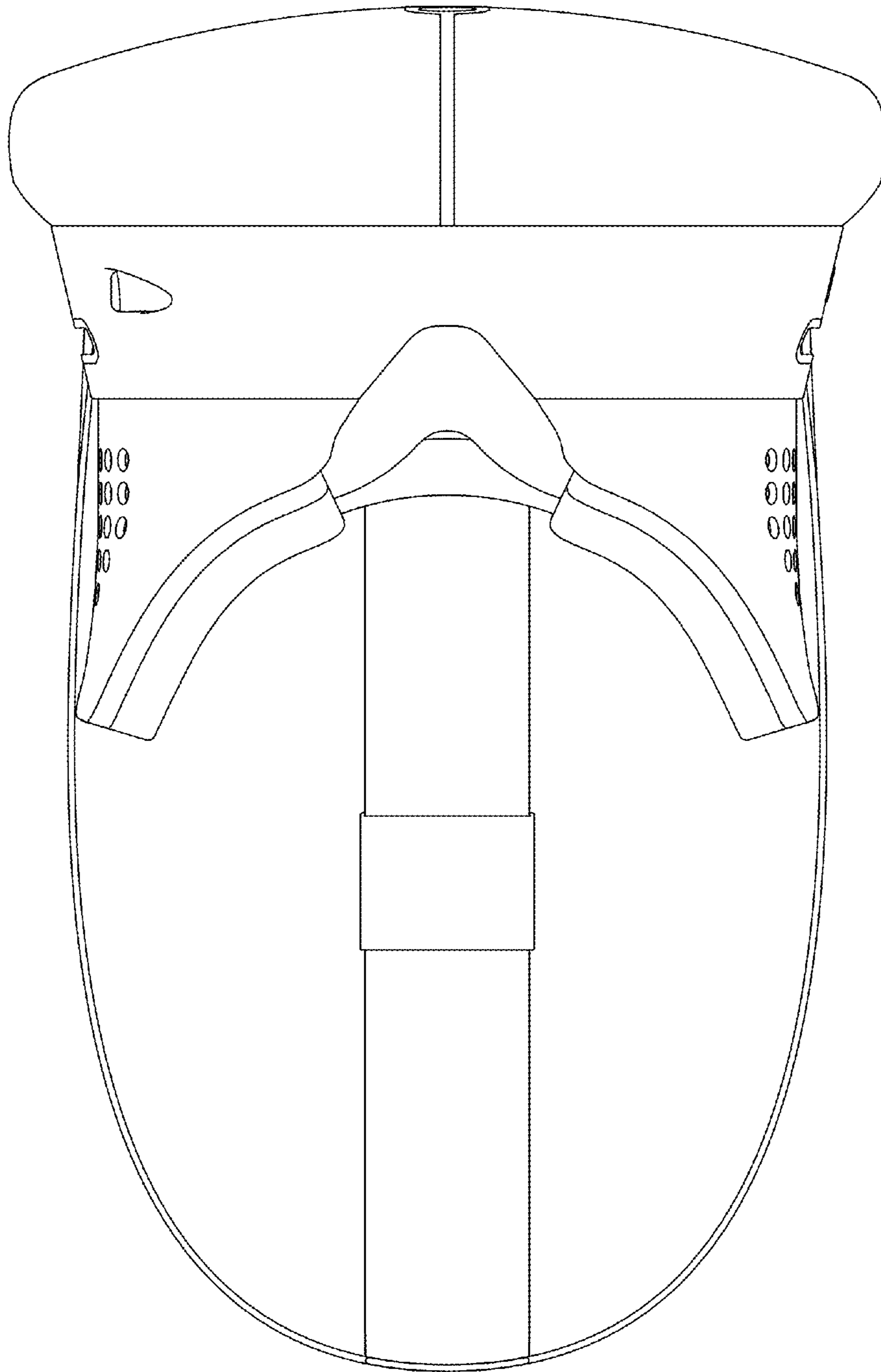


FIG. 15

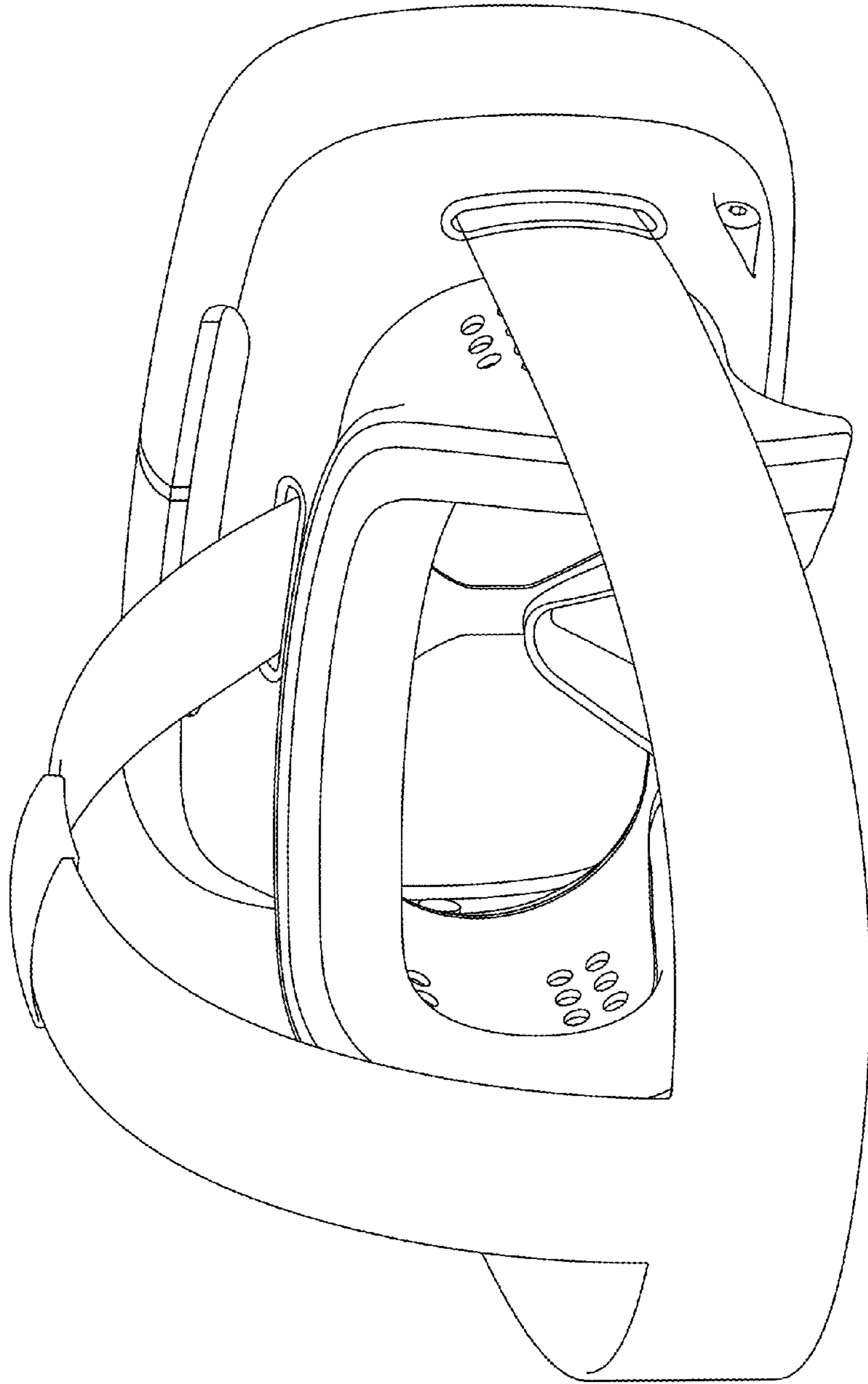


FIG. 16