



US00D763255S

(12) **United States Design Patent**
Lee

(10) **Patent No.:** **US D763,255 S**
(45) **Date of Patent:** **** Aug. 9, 2016**

(54) **DISPLAY**

(71) Applicants: **BOE TECHNOLOGY GROUP CO., LTD.**, Beijing (CN); **K-Tronics (SuZhou) Technology Co., Ltd.**, Suzhou, Jaingsu Province (CN)

(72) Inventor: **Cheng-Hsiung Lee**, Beijing (CN)

(73) Assignees: **BOE TECHNOLOGY GROUP CO., LTD.**, Beijing (CN); **K-TRONICS (SUZHOU) TECHNOLOGY CO., LTD.**, Suzho, Jiangu Province (CN)

(**) Term: **14 Years**

(21) Appl. No.: **29/514,254**

(22) Filed: **Jan. 9, 2015**

(30) **Foreign Application Priority Data**

Aug. 4, 2014 (CN) 2014 3 0271117

(51) **LOC (10) Cl.** **14-02**

(52) **U.S. Cl.**
USPC **D14/371**

(58) **Field of Classification Search**
USPC D14/371-375, 125-129, 336, 337, 341; 341/12; 345/104, 156, 168, 173; 348/180, 184, 325, 739; 349/1, 2, 11, 349/62; 361/679.05-679.07, 679.21; D6/300, 308

CPC G06F 1/16; G06F 1/1601; G06F 3/037; G06F 1/162; F16M 11/02; F16M 11/10

See application file for complete search history.

(56) **References Cited**

U.S. PATENT DOCUMENTS

6,962,312	B2 *	11/2005	Shih	F16M 11/10 248/122.1
D541,278	S *	4/2007	Hsu	D14/336
D600,696	S *	9/2009	Andre	D14/371
D648,336	S *	11/2011	Yagi	D14/374
D662,499	S *	6/2012	Lee	D14/374
D694,750	S *	12/2013	Shin	D14/337
2002/0020792	A1 *	2/2002	Lee	F16M 11/10 248/278.1
2006/0237599	A1 *	10/2006	Ternus	F16M 11/10 248/176.1

* cited by examiner

Primary Examiner — Freda S Nunn

(74) *Attorney, Agent, or Firm* — Nath, Goldberg & Meyer; Joshua B. Goldberg; Christopher Thomas

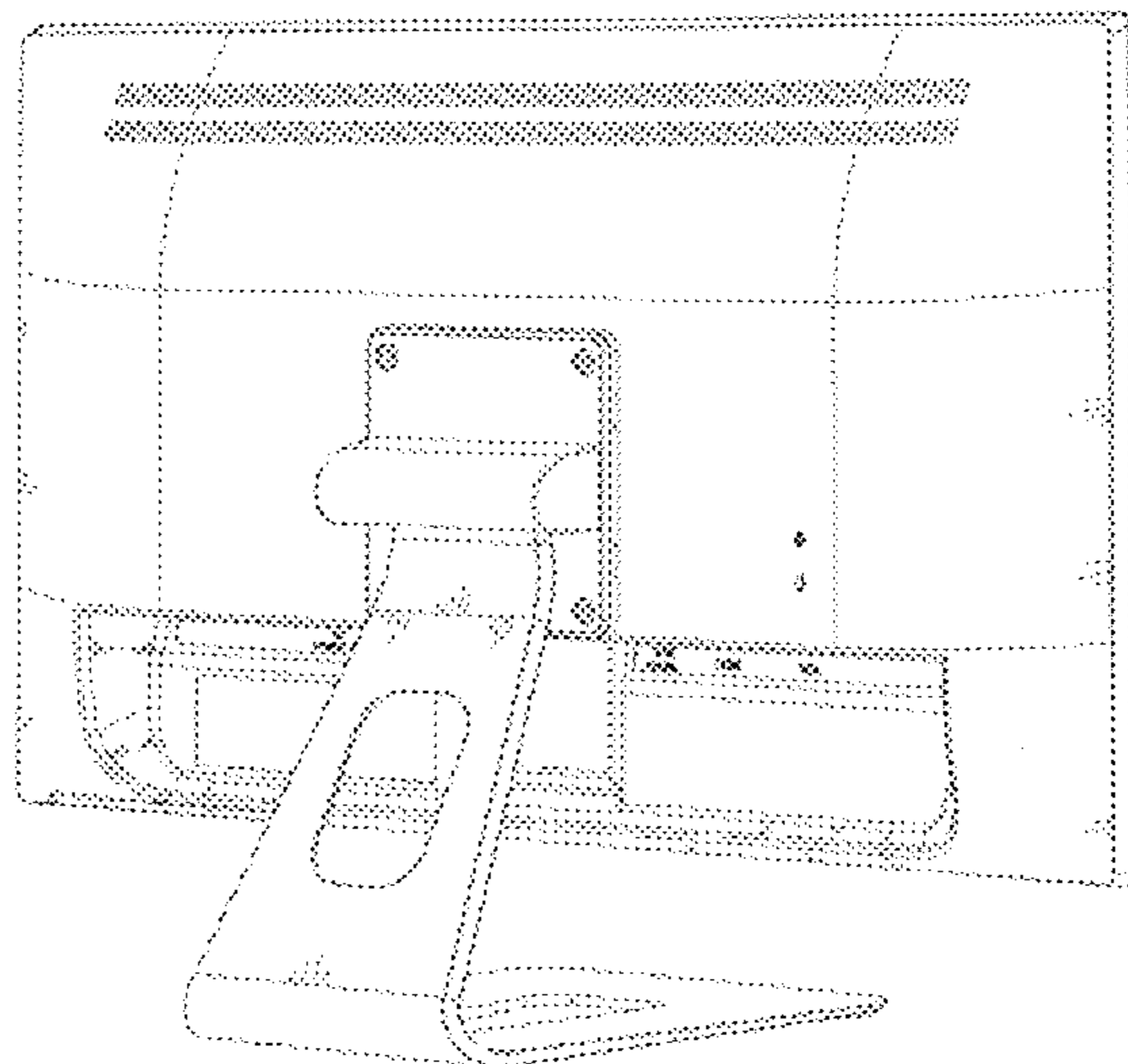
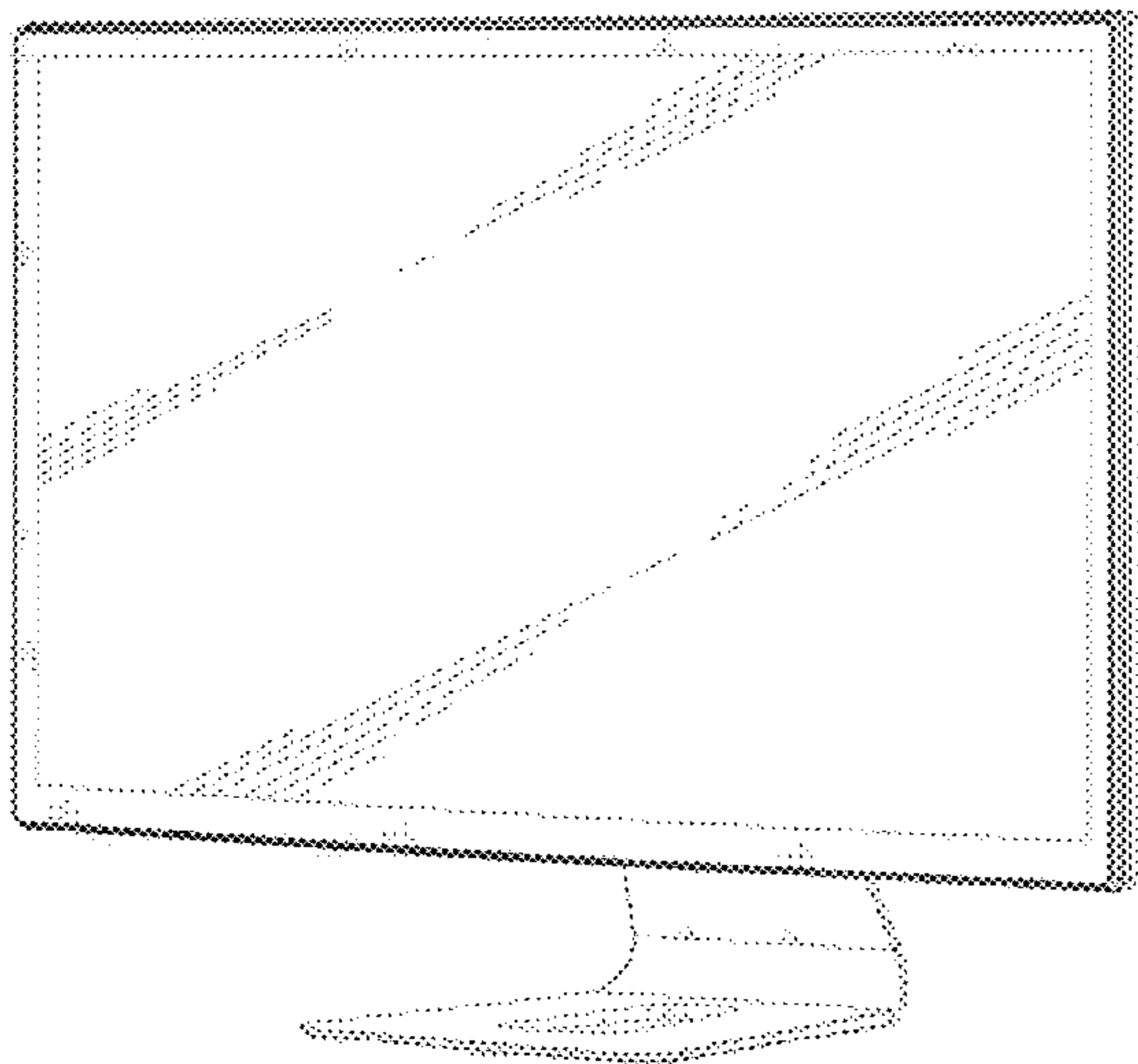
(57) **CLAIM**

The ornamental design for a display, as shown and described.

DESCRIPTION

FIG. 1 is a front view of a display showing my new design; FIG. 2 is a rear view thereof; FIG. 3 is a left view thereof; FIG. 4 is a right view thereof; FIG. 5 is a top view thereof; FIG. 6 is a bottom view thereof; FIG. 7 is a front perspective view thereof; and, FIG. 8 is a rear perspective view thereof. The broken lines shown in FIG. 6 represent unclaimed portions of the display.

1 Claim, 4 Drawing Sheets



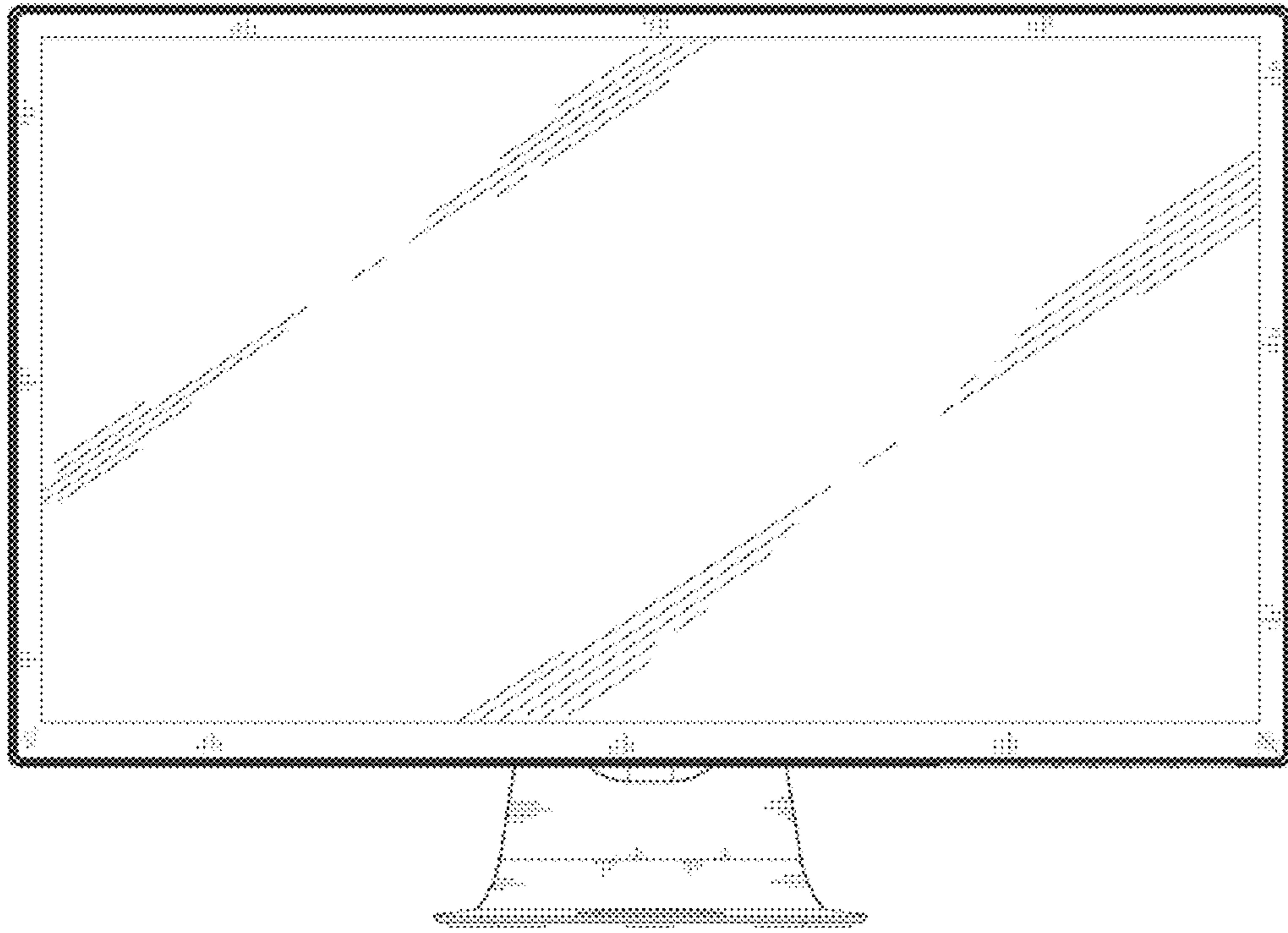


Fig. 1

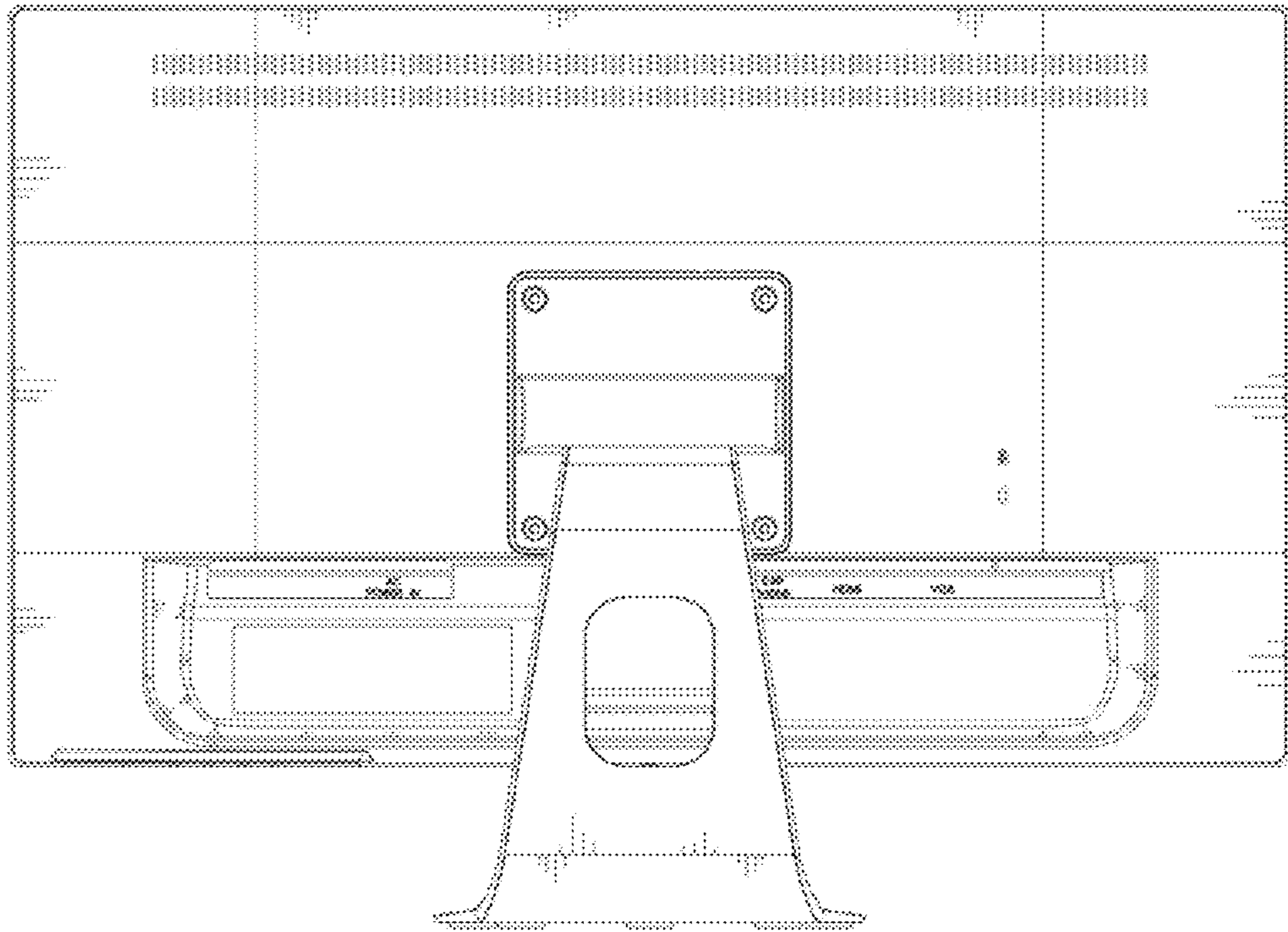


Fig. 2

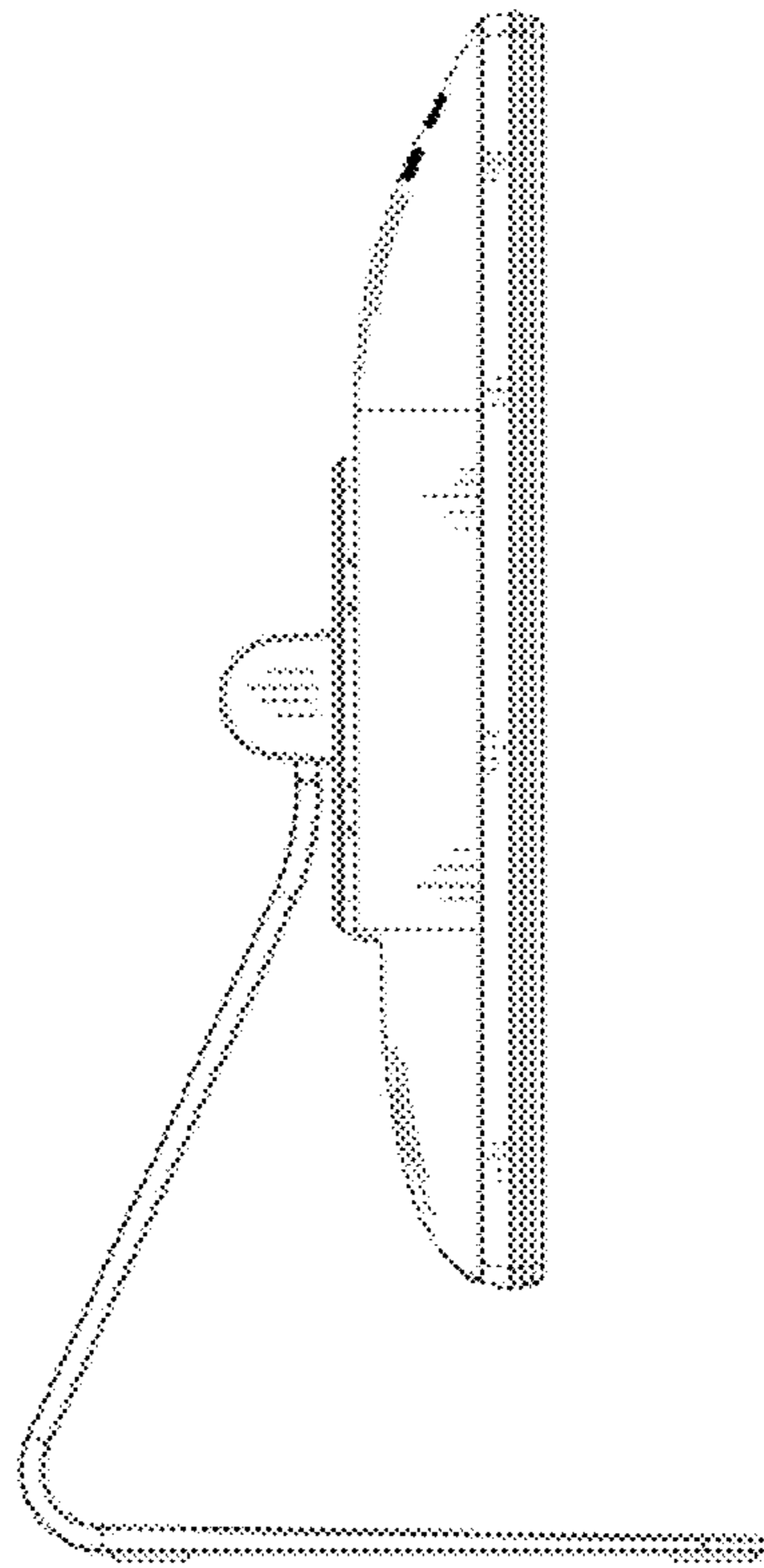


Fig. 3

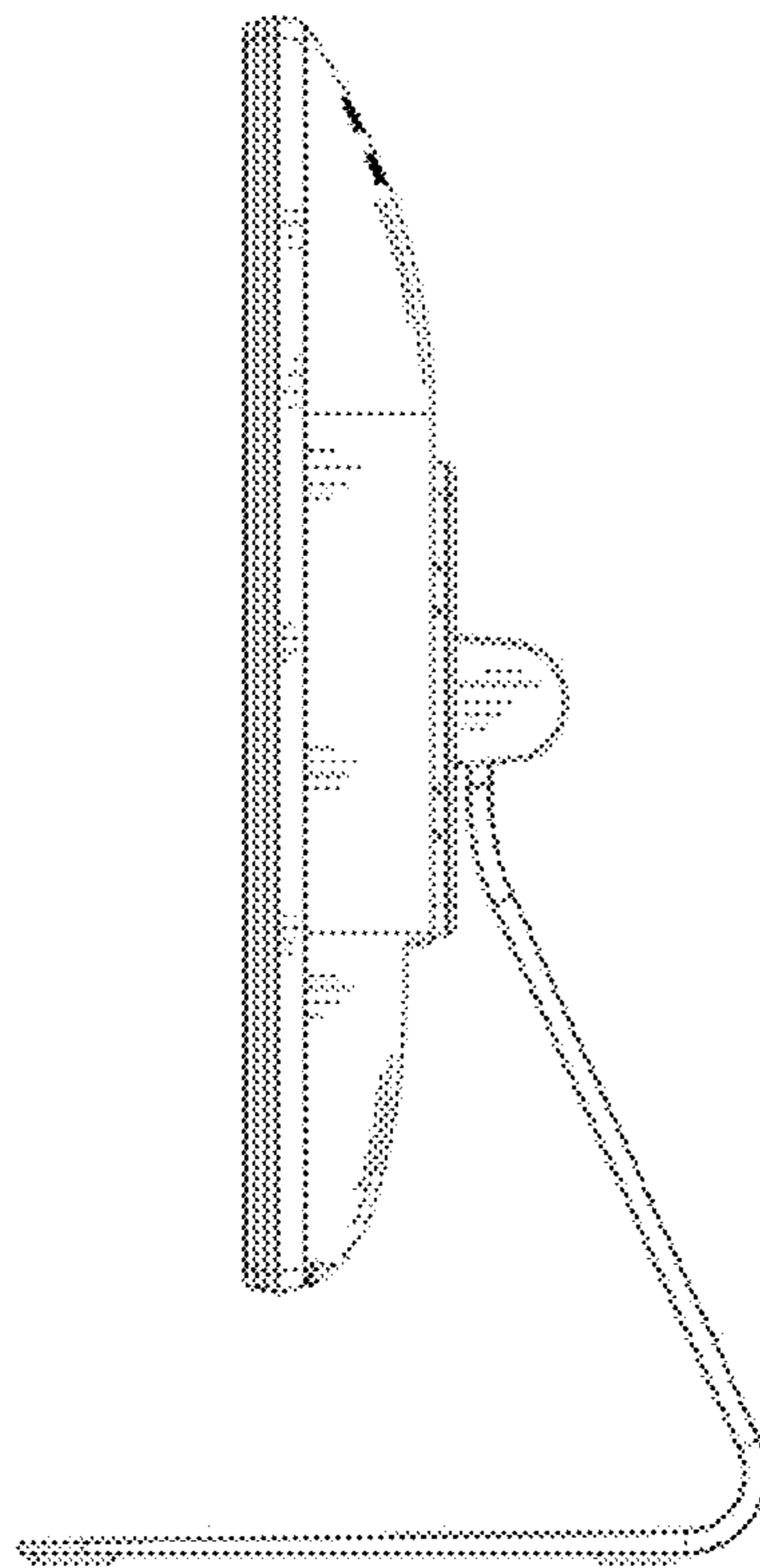


Fig. 4

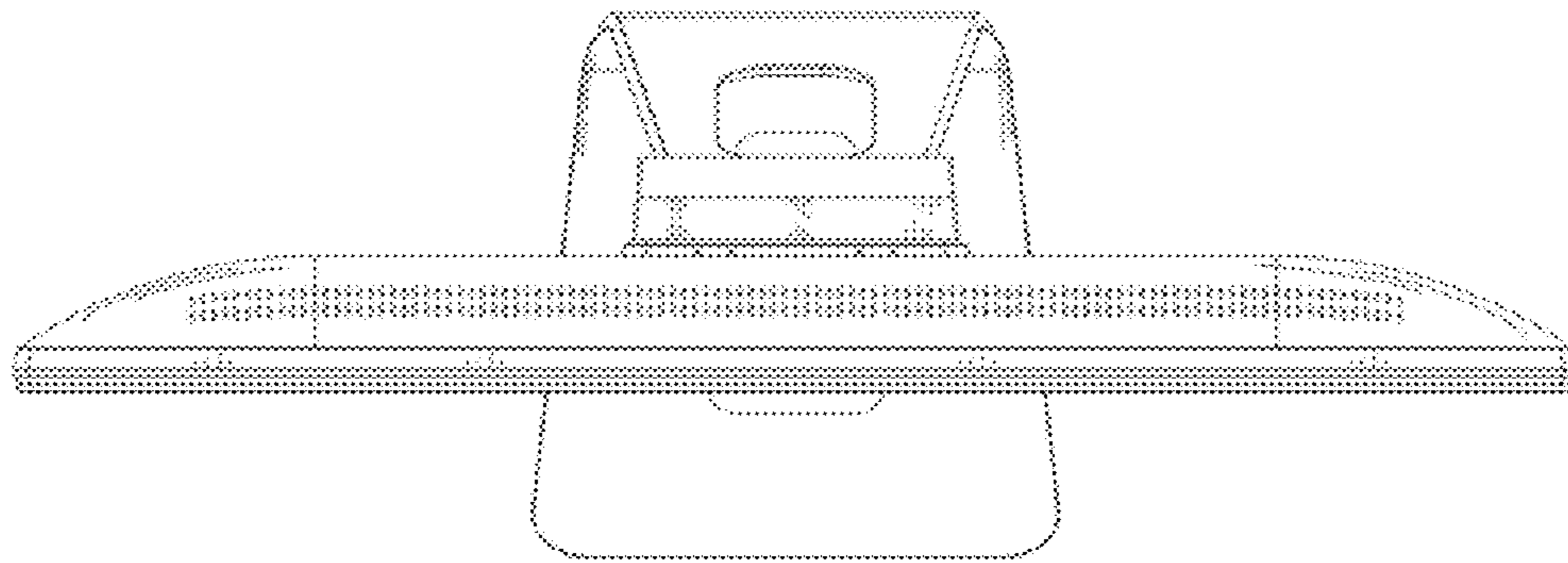


Fig. 5

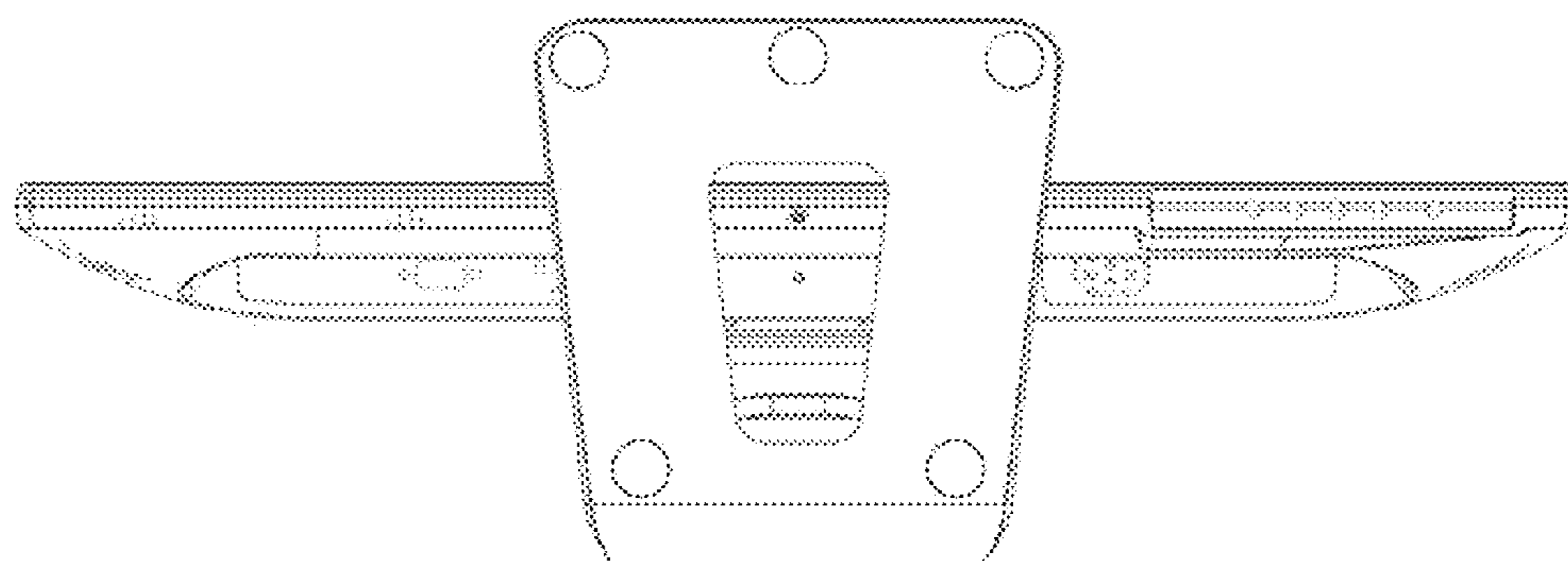


Fig. 6

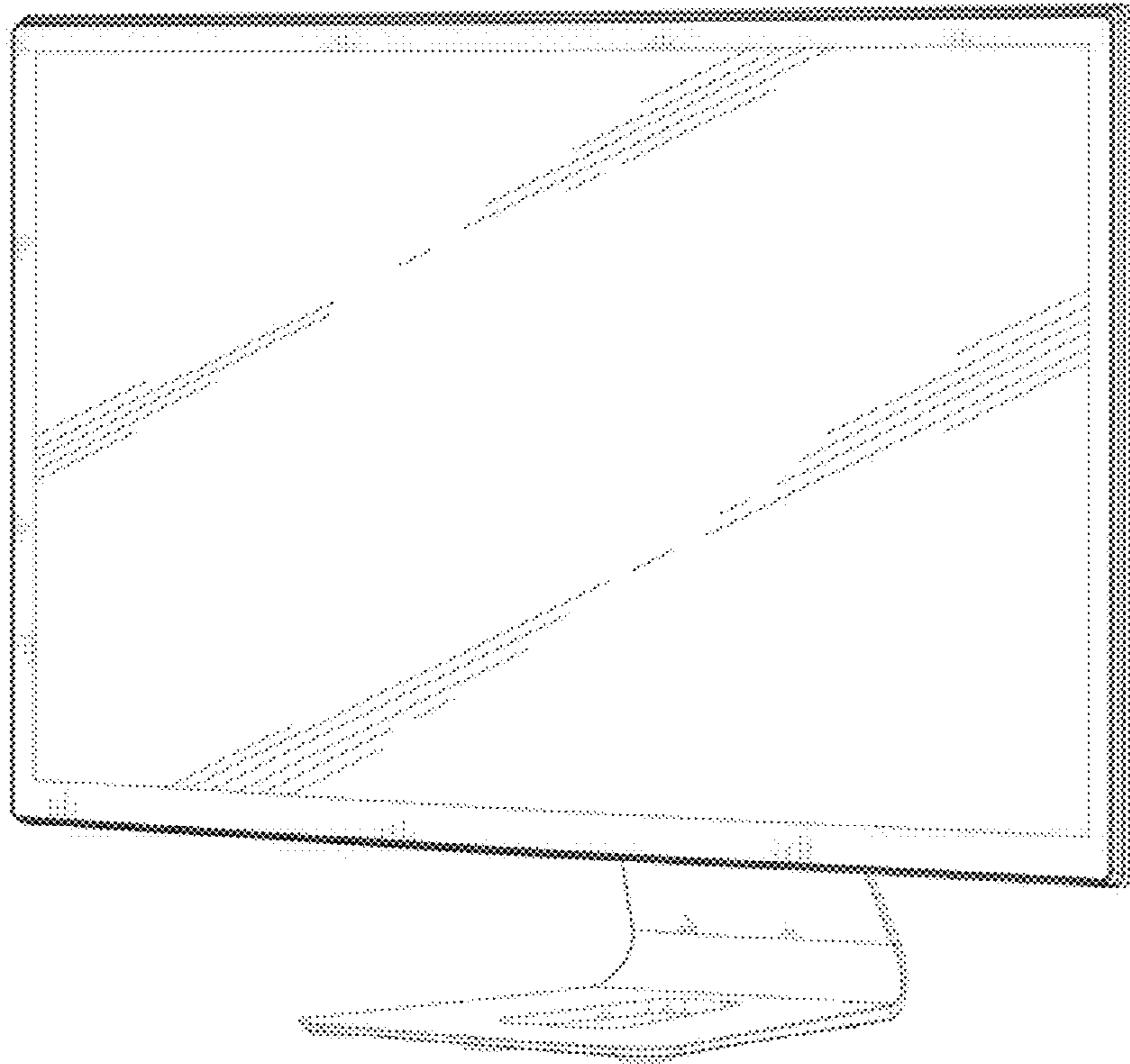


Fig. 7

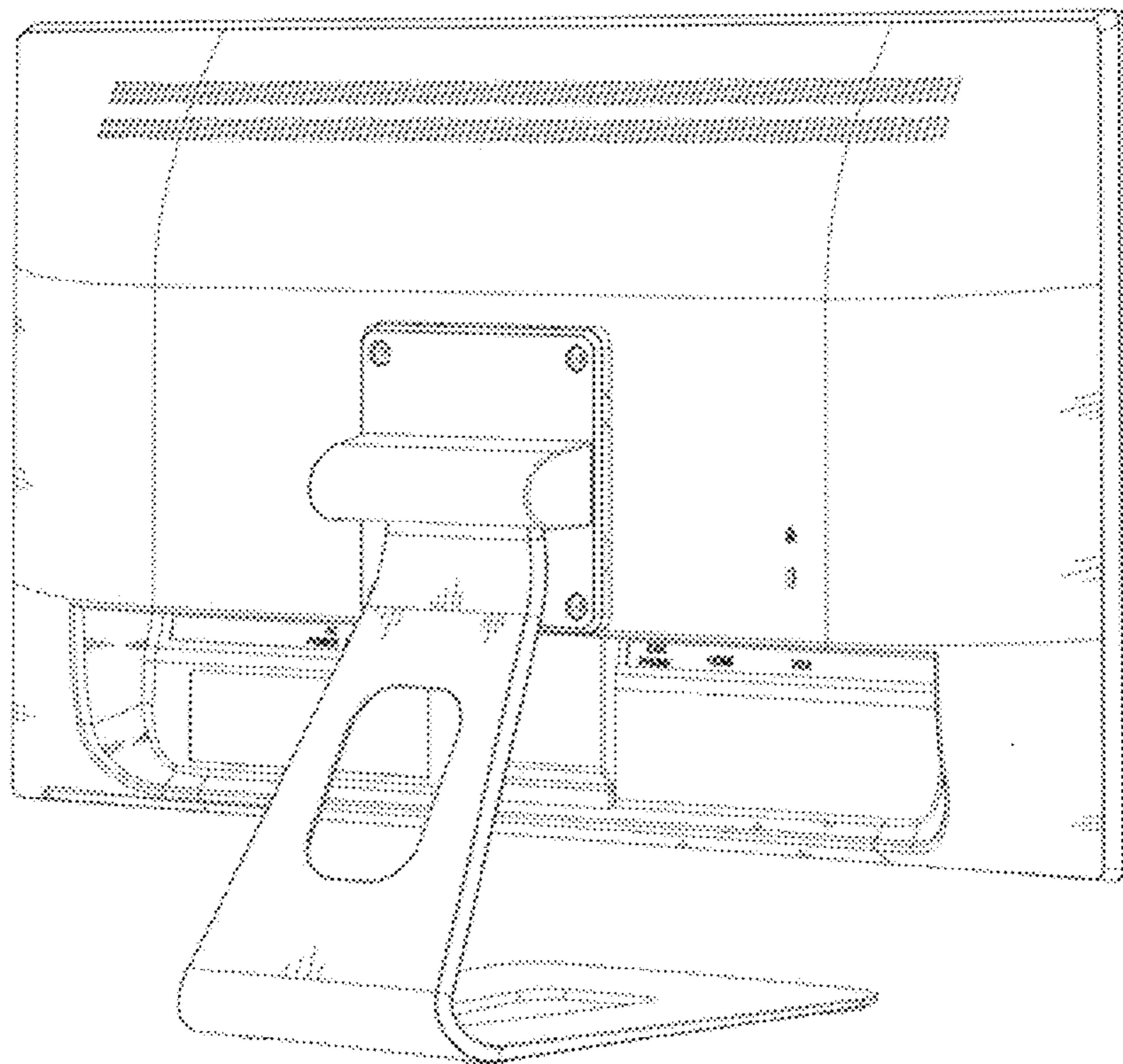


Fig. 8