



US00D763254S

(12) **United States Design Patent**
Aumiller et al.

(10) **Patent No.:** **US D763,254 S**
(45) **Date of Patent:** **** Aug. 9, 2016**

(54) **ELECTRONIC DEVICE**

(71) Applicant: **Samsung Electronics Co., Ltd.**,
Suwon-si (KR)

(72) Inventors: **Curtis Aumiller**, San Jose, CA (US);
Pranav Mistry, Cupertino, CA (US);
Chengyuan Wei, Dalian (CN)

(73) Assignee: **SAMSUNG ELECTRONICS CO., LTD.**,
Suwon-Si (KR)

(**) Term: **14 Years**

(21) Appl. No.: **29/508,624**

(22) Filed: **Nov. 7, 2014**

Related U.S. Application Data

(63) Continuation of application No. 29/453,820, filed on
May 3, 2013, which is a continuation of application
No. 29/449,661, filed on Mar. 15, 2013, now Pat. No.
Des. 709,874.

(51) **LOC (10) Cl.** **14-02**

(52) **U.S. Cl.**
USPC **D14/344**

(58) **Field of Classification Search**
USPC D14/315–318, 341–347, 420, 426, 129,
D14/130, 496, 137, 138 R, 138 AA, 138 C,
D14/138 G, 147, 203.1, 203.3, 204.4, 203.7,
D14/218, 248, 388, 389; D10/50, 65, 104.1;
D21/329, 330; D6/308, 310
CPC ... G06F 3/0485; G06F 3/0488; G06F 1/1613;
G06F 1/1624; G06F 1/1626; G06F 1/165;
H04M 1/0202; H04M 1/0264; H04M 1/0214;
H04M 1/0279; H04M 1/0281; H04M 1/0283;
H04M 1/72544

See application file for complete search history.

(56) **References Cited**

U.S. PATENT DOCUMENTS

D387,061 S *	12/1997	Nozoe	D14/218
D445,424 S *	7/2001	Dow	D14/426
D450,313 S *	11/2001	Koinuma	D14/218
D460,430 S *	7/2002	Wada	D10/31
D462,945 S *	9/2002	Skulley	D14/218
D463,404 S *	9/2002	Sadatsuki	D14/218
D465,213 S *	11/2002	Baumert	D14/218
D465,477 S *	11/2002	Beraut	D14/218
D466,488 S *	12/2002	Wada	D10/31
D467,578 S *	12/2002	Ichijima	D14/218

(Continued)

OTHER PUBLICATIONS

Trio Pack of Silicone Adjustable Straps and Buckle, announced 2012
[online], [site visited Oct. 7, 2015]. Available from Internet, URL:
<<http://tuff-luv.com/trio-pack-of-silicone-adjustable-straps-and-buckle-for-samsung-galaxy-gear-fit-watch-blue-brown-black.html>>.*

Primary Examiner — Barbara Fox

Assistant Examiner — Dana K Weiland

(74) *Attorney, Agent, or Firm* — McAndrews Held & Malloy, Ltd.

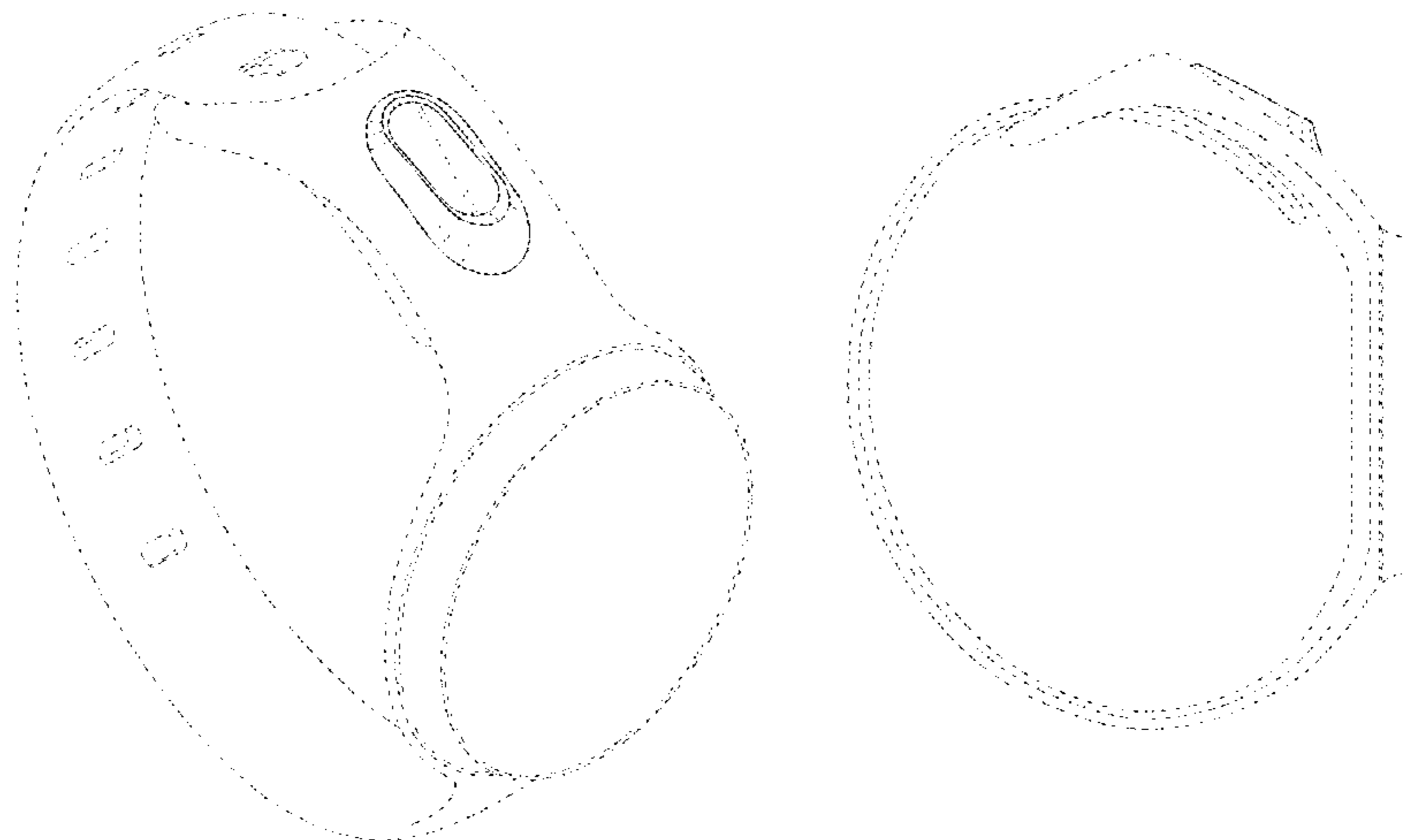
(57) **CLAIM**

The ornamental design for an electronic device, as shown and described.

DESCRIPTION

FIG. 1 is a top left front perspective view of an electronic device showing our new design;
FIG. 2 is a front elevation view thereof;
FIG. 3 is a rear elevation view thereof;
FIG. 4 is a left-side elevation view thereof;
FIG. 5 is a right-side elevation view thereof;
FIG. 6 is a top plan view thereof; and,
FIG. 7 is a bottom plan view thereof.
The dashed broken lines shown in the drawings represent portions of the electronic device that form no part of the claimed design.

1 Claim, 3 Drawing Sheets



(56)

References Cited

U.S. PATENT DOCUMENTS

D490,421 S *	5/2004	Everett	D14/342	D711,372 S *	8/2014	Aumiller	D14/344
D499,086 S *	11/2004	Polito	D14/218	D711,872 S *	8/2014	Aumiller	D14/344
D507,561 S *	7/2005	Thomsen	D14/247	D711,873 S *	8/2014	Aumiller	D14/344
D526,320 S *	8/2006	Brandon	D14/426	D715,268 S *	10/2014	Rodriguez	D14/218
D527,006 S *	8/2006	Francz	D14/218	D718,712 S *	12/2014	Aumiller	D13/108
D527,724 S *	9/2006	Lin	D14/218	D723,015 S *	2/2015	Koh	D14/248
D528,561 S *	9/2006	Ka-Wei	D14/203.3	D723,521 S *	3/2015	Chen	D14/218
D539,354 S *	3/2007	Mak	D21/329	8,994,827 B2 *	3/2015	Mistry	H04N 5/2252 348/158
D547,361 S *	7/2007	Henry	D18/4.6	D726,052 S *	4/2015	Henning	D10/70
D551,573 S *	9/2007	Yan	D10/32	D726,162 S *	4/2015	Rodriguez	D14/218
D566,051 S *	4/2008	Govindasamy	D13/168	D726,692 S *	4/2015	Peh	D14/218
D594,842 S *	6/2009	Park	D14/138 AD	D729,796 S *	5/2015	Song	D14/344
D595,267 S *	6/2009	Dozoretz	D14/218	9,030,446 B2 *	5/2015	Mistry	G06F 3/0304 178/18.09
D614,166 S *	4/2010	Brickstad	D14/205	D737,762 S *	9/2015	Aumiller	D13/108
D615,955 S *	5/2010	Oh	D14/138 AA	2003/0083114 A1 *	5/2003	Lavin	G06F 3/0219 455/569.2
D616,870 S *	6/2010	Choo	D14/218	2008/0048971 A1 *	2/2008	Beckhusen	G06F 1/1626 345/156
D616,872 S *	6/2010	Stoddard	D14/218	2010/0315356 A1 *	12/2010	Ferren	G06F 1/169 345/173
D628,192 S *	11/2010	Hsu	D14/218	2013/0012319 A1 *	1/2013	Negroponte	A63F 13/06 463/37
D638,014 S *	5/2011	Chong	D14/336	2014/0139486 A1 *	5/2014	Mistry	G06F 3/0304 345/175
D659,124 S *	5/2012	Rodriguez	D14/218	2014/0139637 A1 *	5/2014	Mistry	H04N 5/2252 348/46
D664,880 S *	8/2012	Cobbett	D11/3	2014/0143784 A1 *	5/2014	Mistry	G06F 15/0208 718/102
D664,881 S *	8/2012	Cobbett	D11/3				
D671,858 S *	12/2012	Cobbett	D11/3				
D672,255 S *	12/2012	Zanella	D10/32				
D680,020 S *	4/2013	Cobbett	D11/3				
D709,874 S *	7/2014	Aumiller	D14/344				
D709,875 S *	7/2014	Aumiller	D14/344				

* cited by examiner

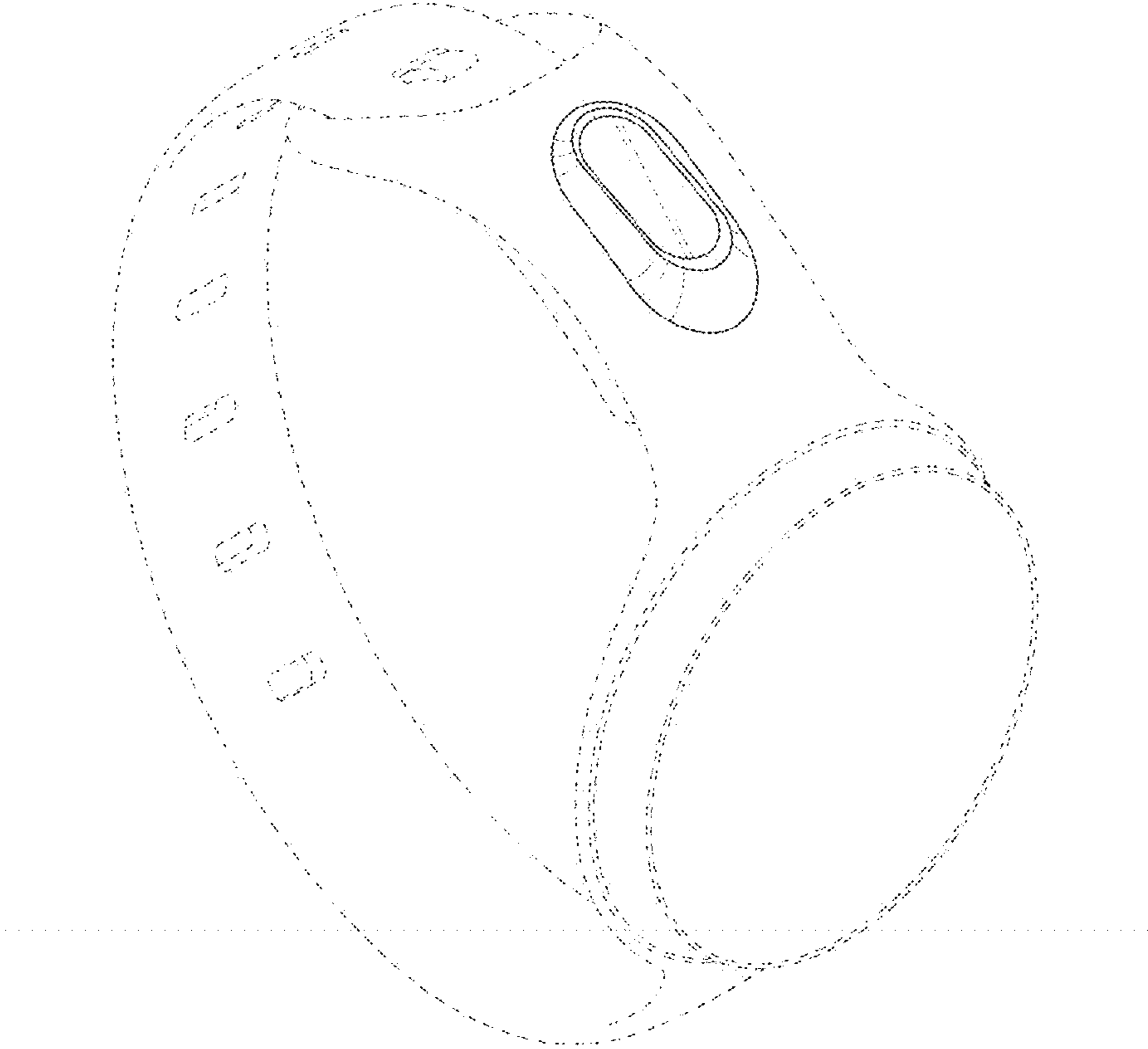


FIG.1

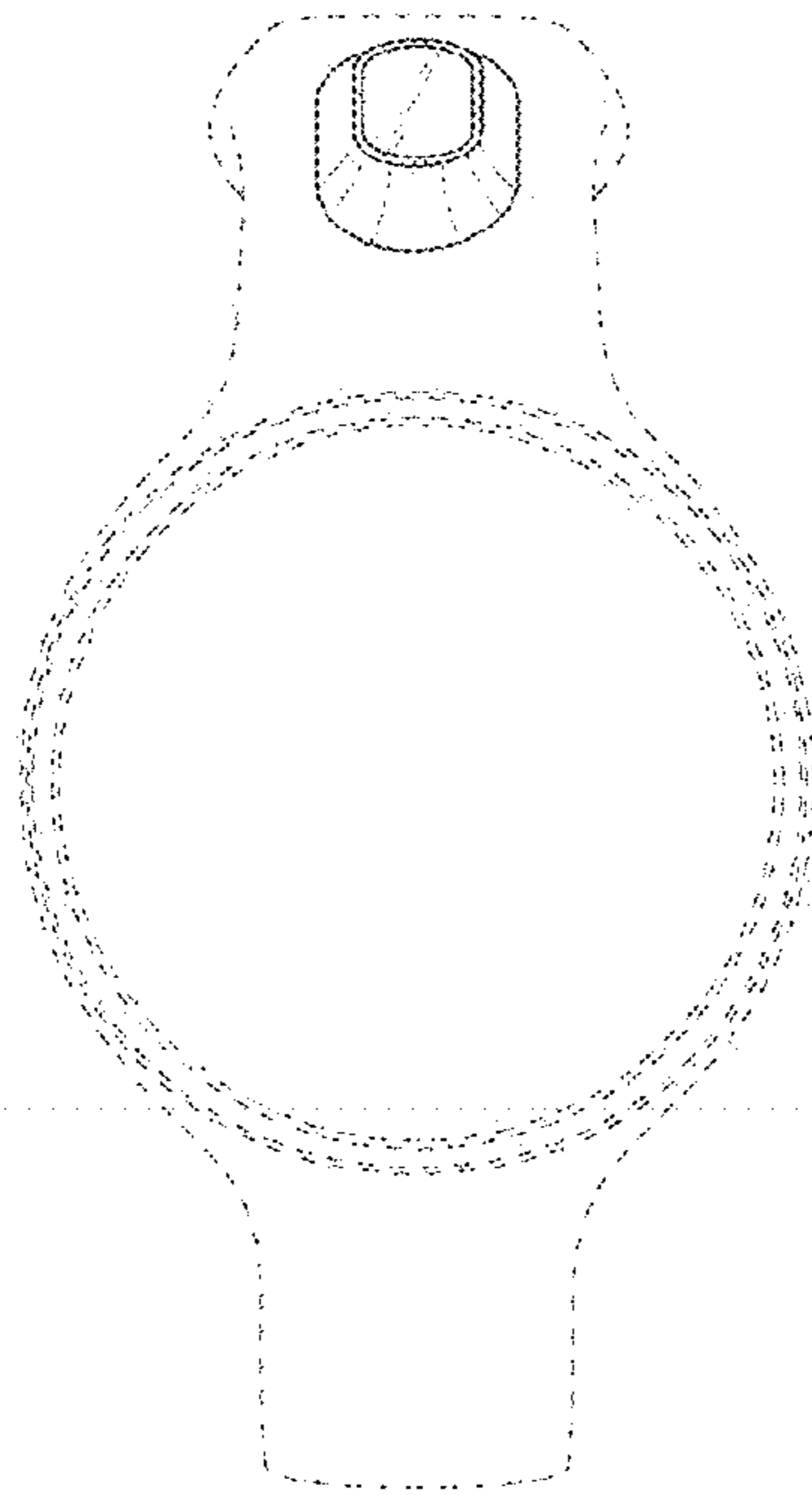


FIG. 2

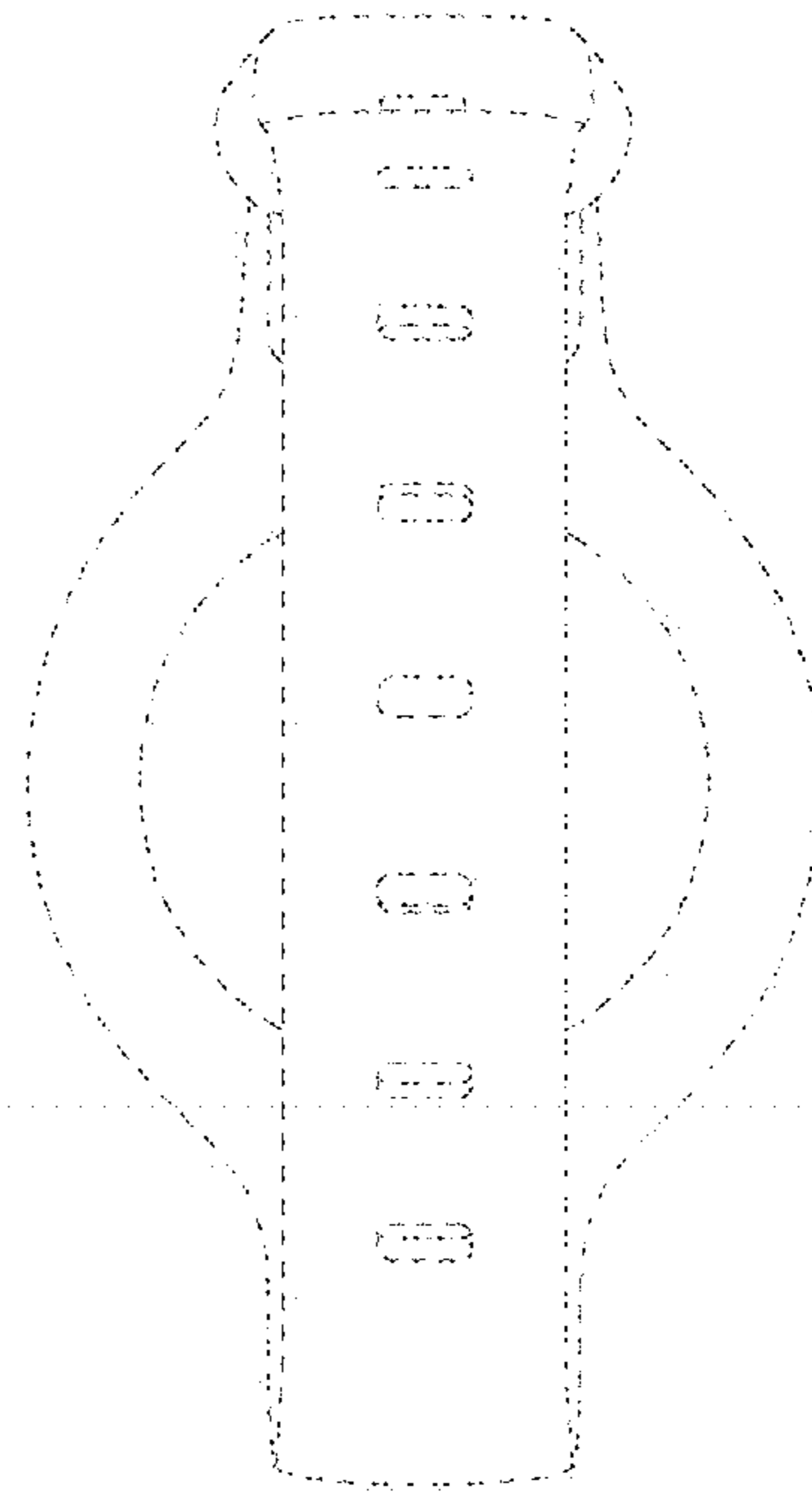


FIG. 3

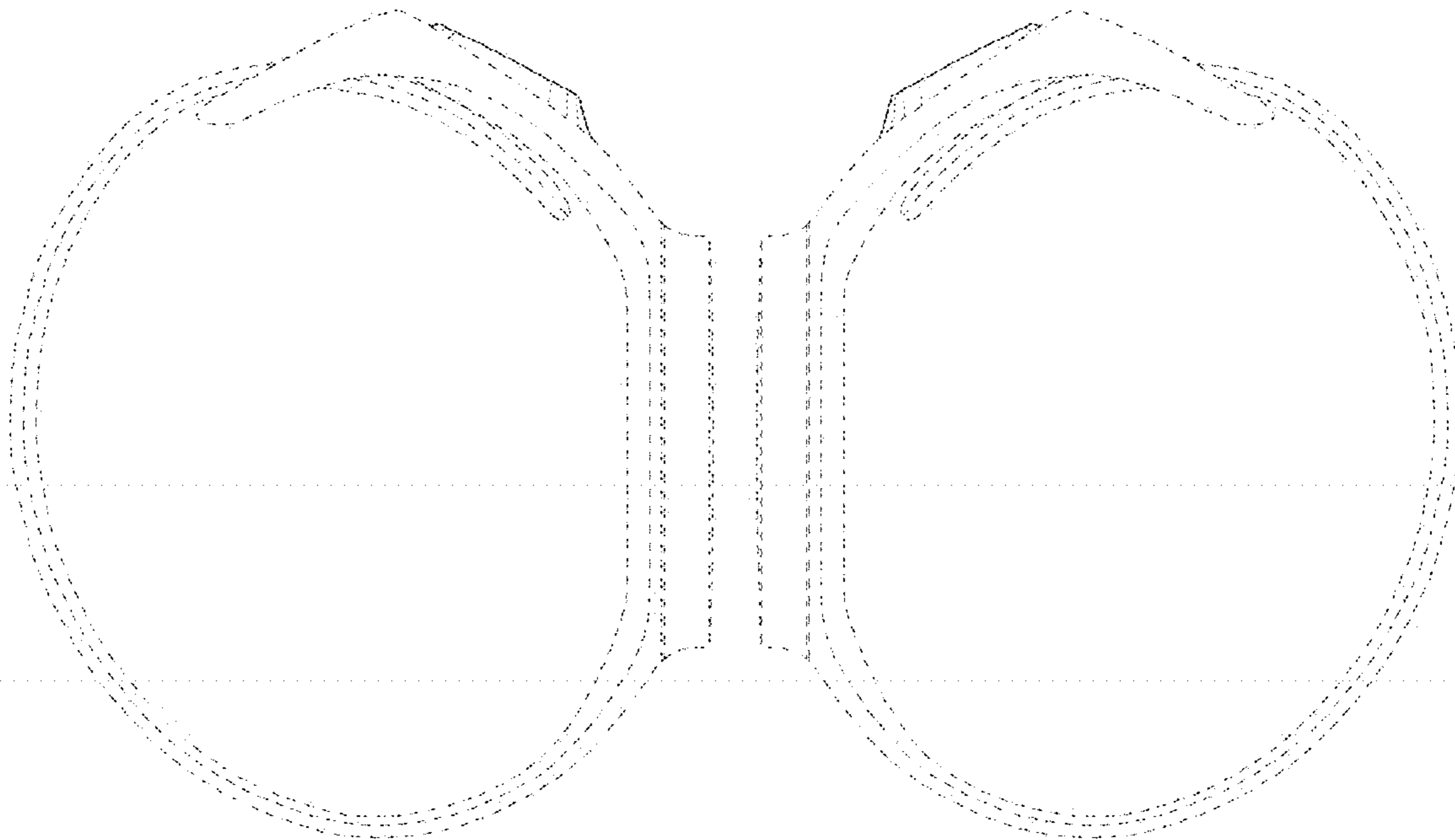


FIG. 4

FIG. 5

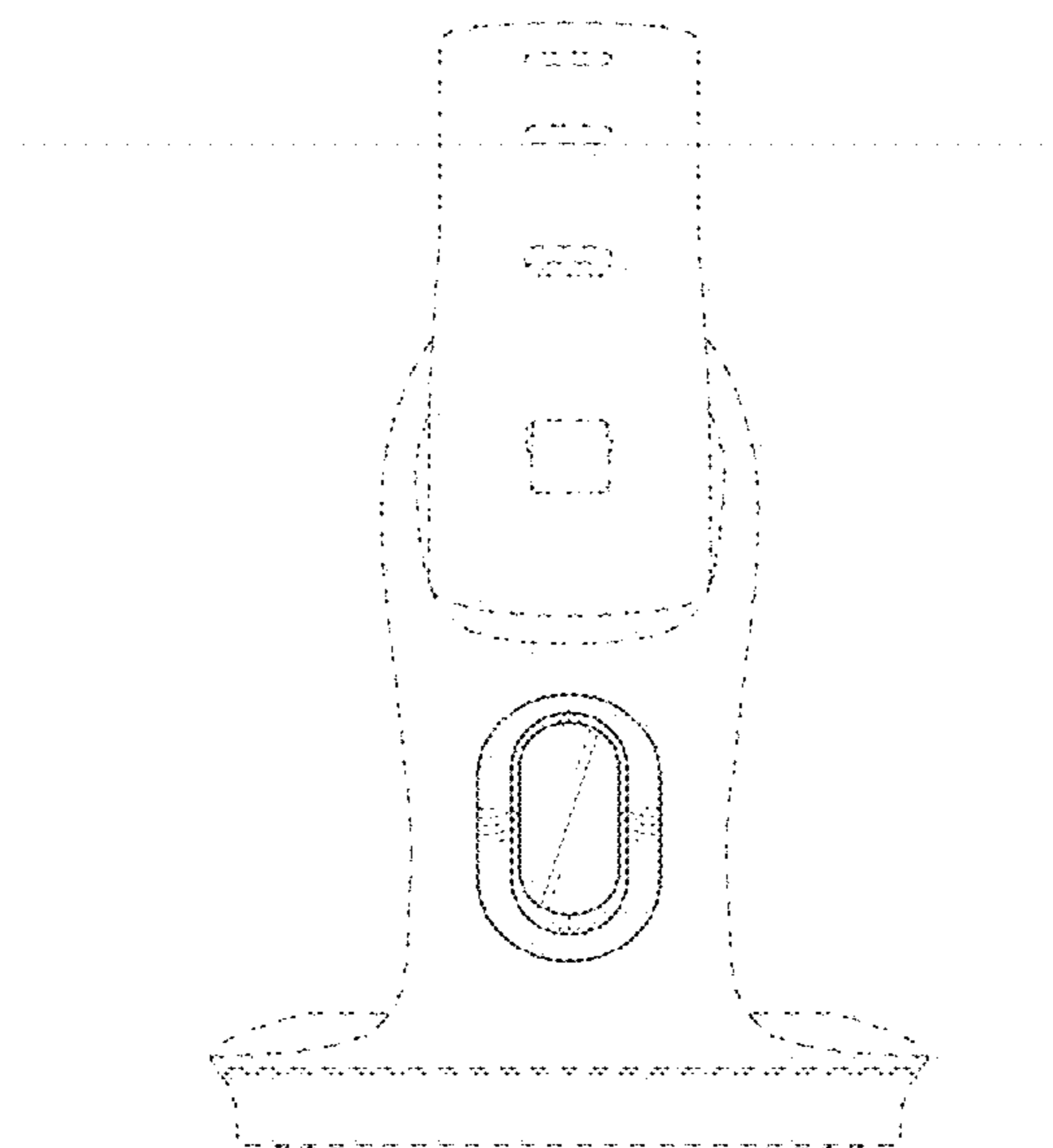


FIG.6

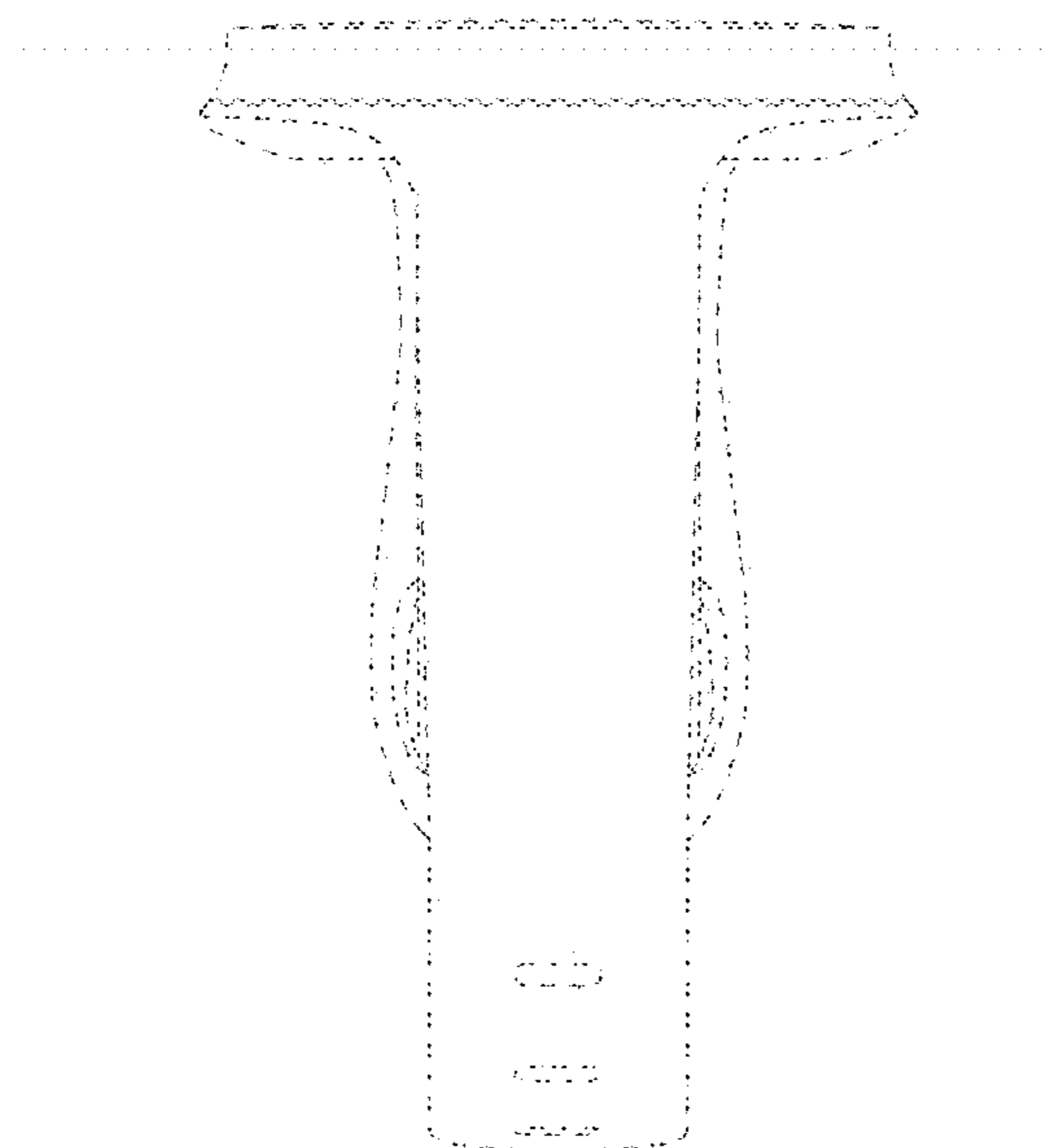


FIG.7