



US00D763252S

(12) **United States Design Patent**  
**Lee et al.**

(10) **Patent No.:** **US D763,252 S**  
(45) **Date of Patent:** **\*\* \*Aug. 9, 2016**

(54) **ELECTRONIC DEVICE**

(71) Applicant: **Samsung Electronics Co., Ltd.**,  
Suwon-si (KR)

(72) Inventors: **Min-Hyouk Lee**, Seoul (KR); **Jae-Ho Baik**, Yongin-si (KR); **Kuk-Hwan Kim**, Seoul (KR); **Sung-Hoon Hong**, Seoul (KR)

(73) Assignee: **Samsung Electronics Co., Ltd.**,  
Suwon-si (KR)

(\*) Notice: This patent is subject to a terminal disclaimer.

(\*\*) Term: **14 Years**

(21) Appl. No.: **29/497,253**

(22) Filed: **Jul. 22, 2014**

(30) **Foreign Application Priority Data**

May 9, 2014 (KR) ..... 30-2014-0023118

(51) **LOC (10) Cl.** ..... **14-02**

(52) **U.S. Cl.**  
USPC ..... **D14/341**

(58) **Field of Classification Search**

USPC ..... D14/315-318, 341-347, 420, 426, 129,  
D14/130, 496, 137, 138 R, 138 AA, 138 C,  
D14/138 G, 147, 203.1, 203.3, 204.4, 203.7,  
D14/218, 248, 388, 389; D10/50, 65, 104.1;  
D21/329, 330; D6/308, 310

CPC ... G06F 3/0485; G06F 3/0488; G06F 1/1613;  
G06F 1/1624; G06F 1/1626; G06F 1/165;  
H04M 1/0202; H04M 1/0264; H04M 1/0214;  
H04M 1/0279; H04M 1/0281; H04M 1/0283;  
H04M 1/72544

See application file for complete search history.

(56) **References Cited**

U.S. PATENT DOCUMENTS

D545,300 S \* 6/2007 Hong ..... D14/214  
D625,307 S \* 10/2010 Cheng ..... D14/341

(Continued)

OTHER PUBLICATIONS

Gsmarena, announced Jul. 2014 [online], [site visited Oct. 6, 2015]. Available from Internet, URL:<[http://www.gsmarena.com/samsung\\_galaxy\\_tab\\_s\\_8\\_4-pictures-6439.php](http://www.gsmarena.com/samsung_galaxy_tab_s_8_4-pictures-6439.php)>.\*

(Continued)

*Primary Examiner* — Barbara Fox

*Assistant Examiner* — Dana K Weiland

(74) *Attorney, Agent, or Firm* — NSIP Law

(57) **CLAIM**

We claim the ornamental design for an electronic device, as shown and described.

**DESCRIPTION**

FIG. 1 is a front perspective view of an electronic device showing our new design;

FIG. 2 is a front view thereof;

FIG. 3 is a rear view thereof;

FIG. 4 is a left-side view thereof;

FIG. 5 is a right-side view thereof;

FIG. 6 is a top view thereof;

FIG. 7 is a bottom view thereof;

FIG. 8 is a rear perspective view thereof;

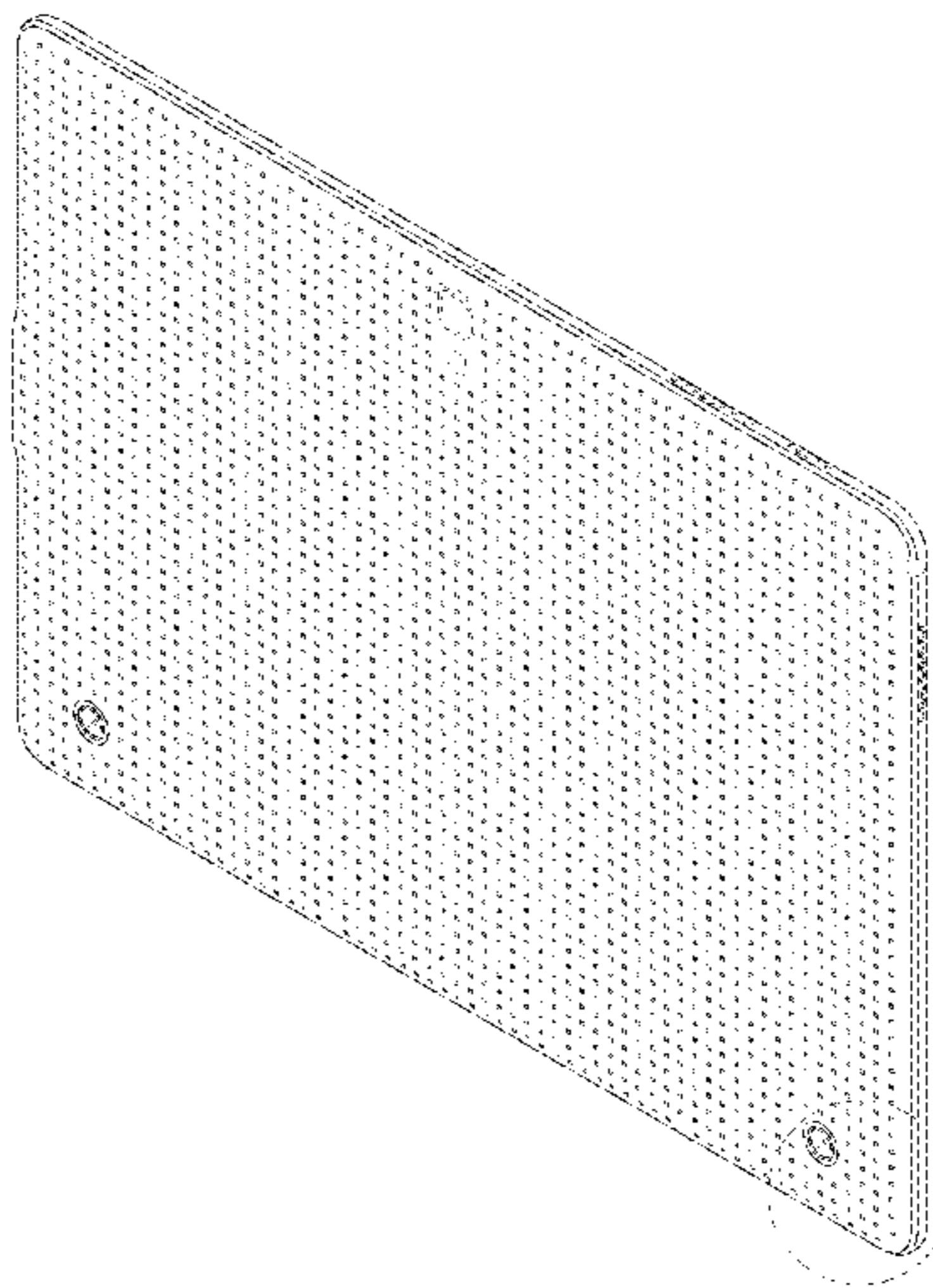
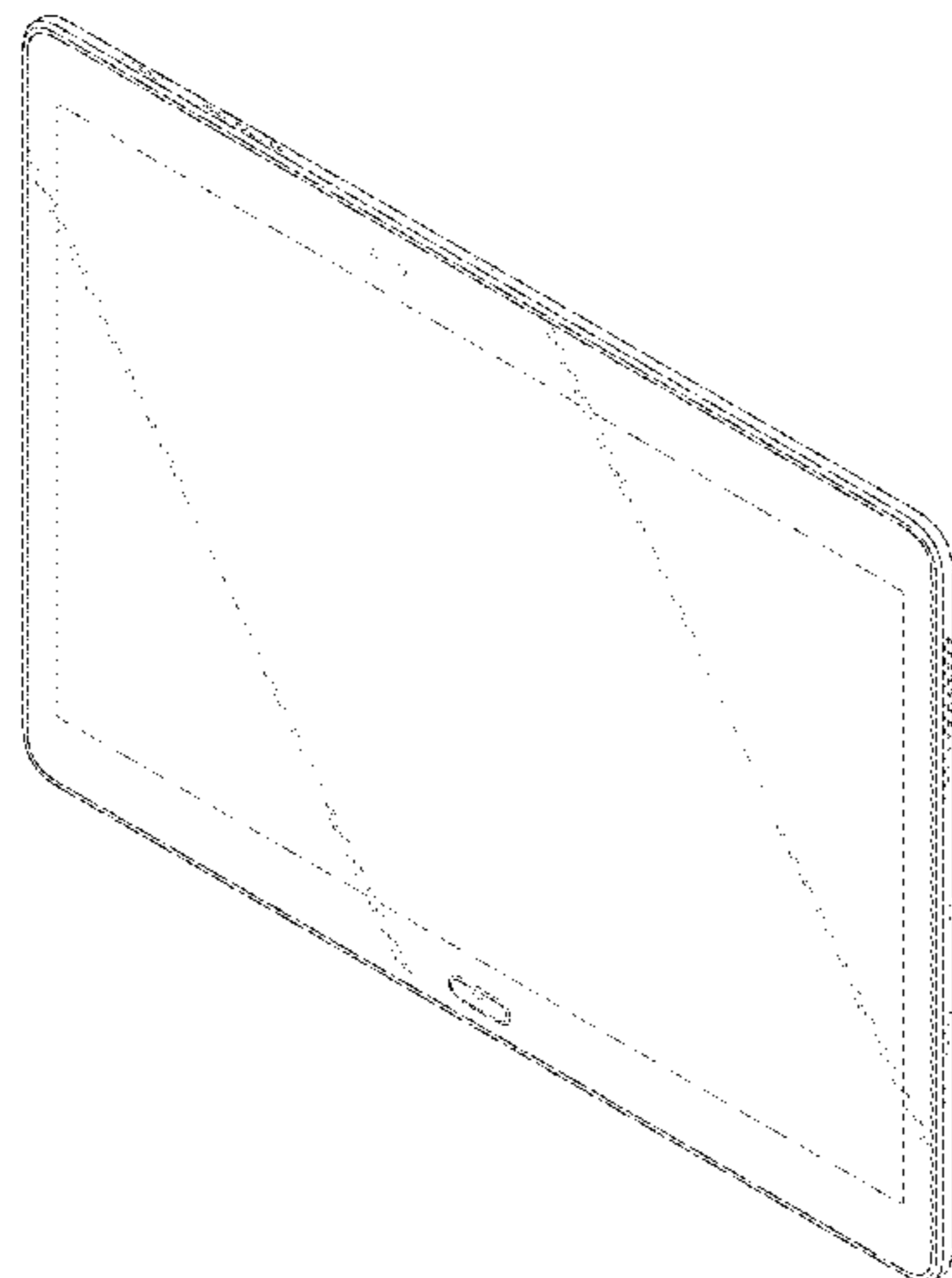
FIG. 9 is an enlarged view of the encircled portion in FIG. 5; and,

FIG. 10 is an enlarged view of the encircled portion in FIG. 8.

The broken lines in the figures show portions of the electronic device which form no part of the claimed design.

The dot-dot-dash broken lines encircling portions of the claimed design that are illustrated in enlargements form no part of the claimed design.

**1 Claim, 8 Drawing Sheets**



(56)

References Cited

U.S. PATENT DOCUMENTS

D628,547 S \* 12/2010 Park ..... D14/138 AD  
 D635,135 S \* 3/2011 Li ..... D14/315  
 D654,497 S \* 2/2012 Lee ..... D14/341  
 D667,396 S \* 9/2012 Koh ..... D14/341  
 D667,399 S \* 9/2012 Koh ..... D14/341  
 D671,514 S \* 11/2012 Kim ..... D14/138 G  
 D676,819 S \* 2/2013 Choi ..... D14/138 G  
 D679,706 S \* 4/2013 Tang ..... D14/341  
 D681,632 S \* 5/2013 Akana ..... D14/341  
 D684,553 S \* 6/2013 Kim ..... D14/138 G  
 D685,739 S \* 7/2013 Moore ..... D13/119  
 D687,820 S \* 8/2013 Kim ..... D14/341  
 D692,433 S \* 10/2013 Akana ..... D14/440  
 D693,340 S \* 11/2013 Ohshima ..... D14/341  
 D694,211 S \* 11/2013 Yuu ..... D14/138 G  
 D695,249 S \* 12/2013 Kim ..... D14/138 G  
 D696,221 S \* 12/2013 Lee ..... D14/138 G  
 D696,246 S \* 12/2013 Kim ..... D14/341  
 D697,065 S \* 1/2014 Kim ..... D14/138 AD  
 D698,785 S \* 2/2014 Canizares ..... D14/341  
 D701,850 S \* 4/2014 Kim ..... D14/138 G  
 D703,179 S \* 4/2014 Choe ..... D14/138 G  
 D703,668 S \* 4/2014 Kim ..... D14/138 AD  
 D710,349 S \* 8/2014 Han ..... D14/341  
 D710,815 S \* 8/2014 Kim ..... D14/138 G  
 D711,337 S \* 8/2014 Park ..... D14/138 G  
 D712,400 S \* 9/2014 Kim ..... D14/341  
 D714,752 S \* 10/2014 Im ..... D14/138 G  
 D714,785 S \* 10/2014 Delpier ..... D14/315  
 D715,246 S \* 10/2014 Oh ..... D14/138 G  
 D715,795 S \* 10/2014 McManigal ..... D14/341  
 D716,293 S \* 10/2014 Hwang ..... D14/341  
 D716,747 S \* 11/2014 Kleiner ..... D14/138 G  
 D716,798 S \* 11/2014 Kurimoto ..... D14/341  
 D718,303 S \* 11/2014 Choteau ..... D14/341  
 D719,940 S \* 12/2014 Lee ..... D14/248  
 D720,745 S \* 1/2015 Yeo ..... D14/341

D720,746 S \* 1/2015 Chung ..... D14/341  
 D722,034 S \* 2/2015 Lee ..... D14/138 G  
 D723,490 S \* 3/2015 Song ..... D14/138 G  
 D723,491 S \* 3/2015 Song ..... D14/138 G  
 D723,547 S \* 3/2015 Zhou ..... D14/341  
 D724,063 S \* 3/2015 Lee ..... D14/248  
 D724,537 S \* 3/2015 Moore ..... D13/119  
 D726,672 S \* 4/2015 Olodort ..... D14/138 G  
 D727,304 S \* 4/2015 Lee ..... D14/248  
 D727,881 S \* 4/2015 Lee ..... D14/248  
 D729,781 S \* 5/2015 Lee ..... D14/248  
 D736,203 S \* 8/2015 Kim ..... D14/341  
 D737,793 S \* 9/2015 Lee ..... D14/138 G  
 D738,341 S \* 9/2015 Choi ..... D14/138 G  
 D740,806 S \* 10/2015 Fujimoto ..... D14/341  
 D749,551 S \* 2/2016 Mitchell ..... D14/248  
 D752,758 S \* 3/2016 Chung ..... D24/169  
 2014/0100005 A1 \* 4/2014 Bae ..... B29C 45/1418  
 455/575.8  
 2014/0111548 A1 \* 4/2014 Shin ..... G09G 5/32  
 345/650  
 2014/0253799 A1 \* 9/2014 Moon ..... H04M 1/0264  
 348/376  
 2014/0285329 A1 \* 9/2014 Lee ..... G08B 6/00  
 340/407.1

OTHER PUBLICATIONS

Youtube S 8.4 Review, announced Jun. 24, 2014 [online], [site visited Oct. 6, 2015]. Available from Internet, URL:<[https://www.youtube.com/watch?v=MKh\\_eF95lxl](https://www.youtube.com/watch?v=MKh_eF95lxl)>.\*  
 Youtube S 10.5, announced Jun. 13, 2014 [online], [site visited Oct. 6, 2015]. Available from Internet, URL:<<https://www.youtube.com/watch?v=fJd3Z45sThQ>>.\*  
 Gadgetreviewed, Features and Specifications, announced Aug. 26, 2014 [online], [site visited Oct. 6, 2015]. Available from Internet, URL: <<http://www.gadgetreviewed.com/reviews/samsung-galaxy-tab-s-10-5-a-power-performance-capacity-with-good-battery-life/120/>>.\*

\* cited by examiner

FIG.1

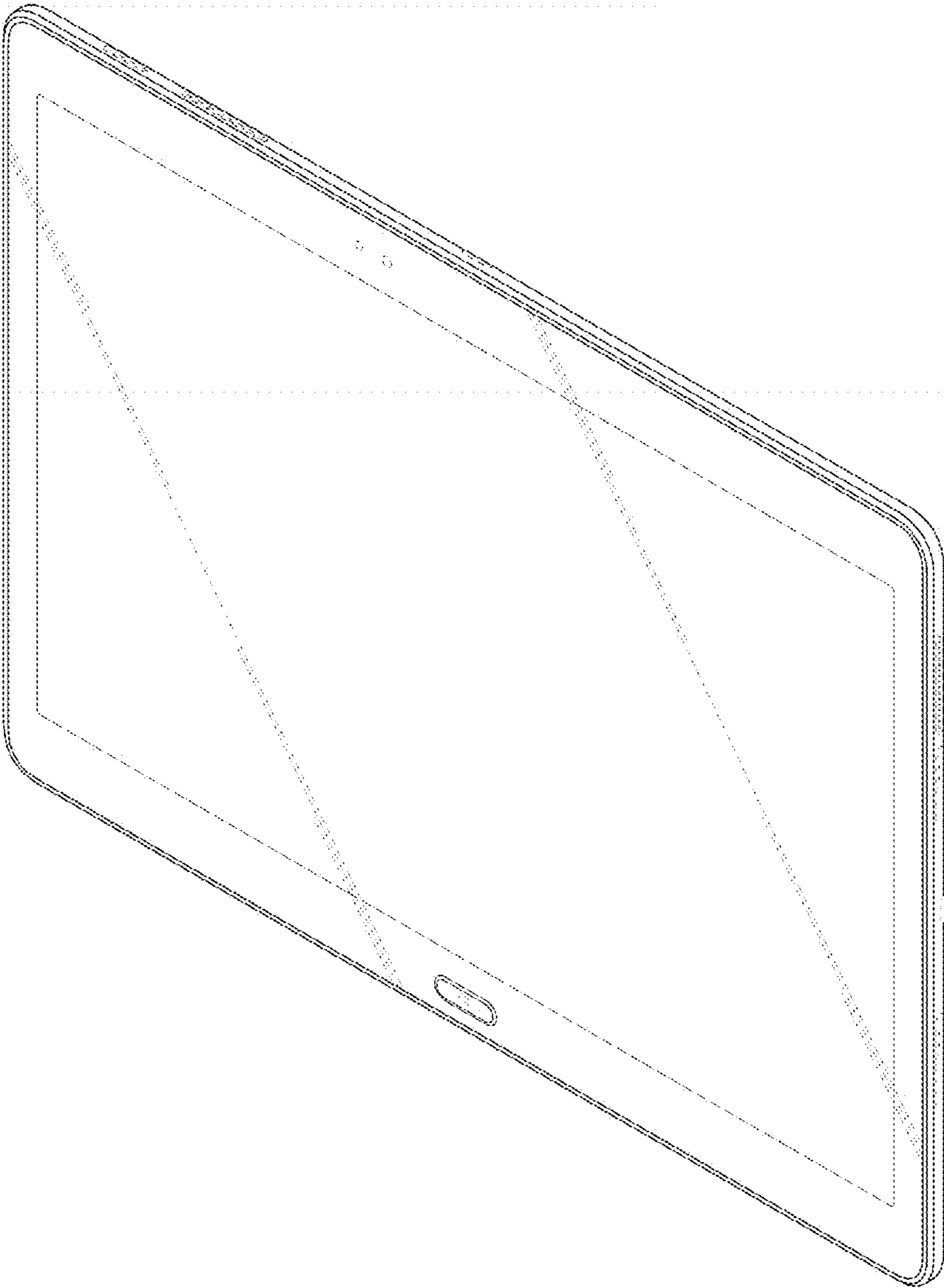




FIG.2

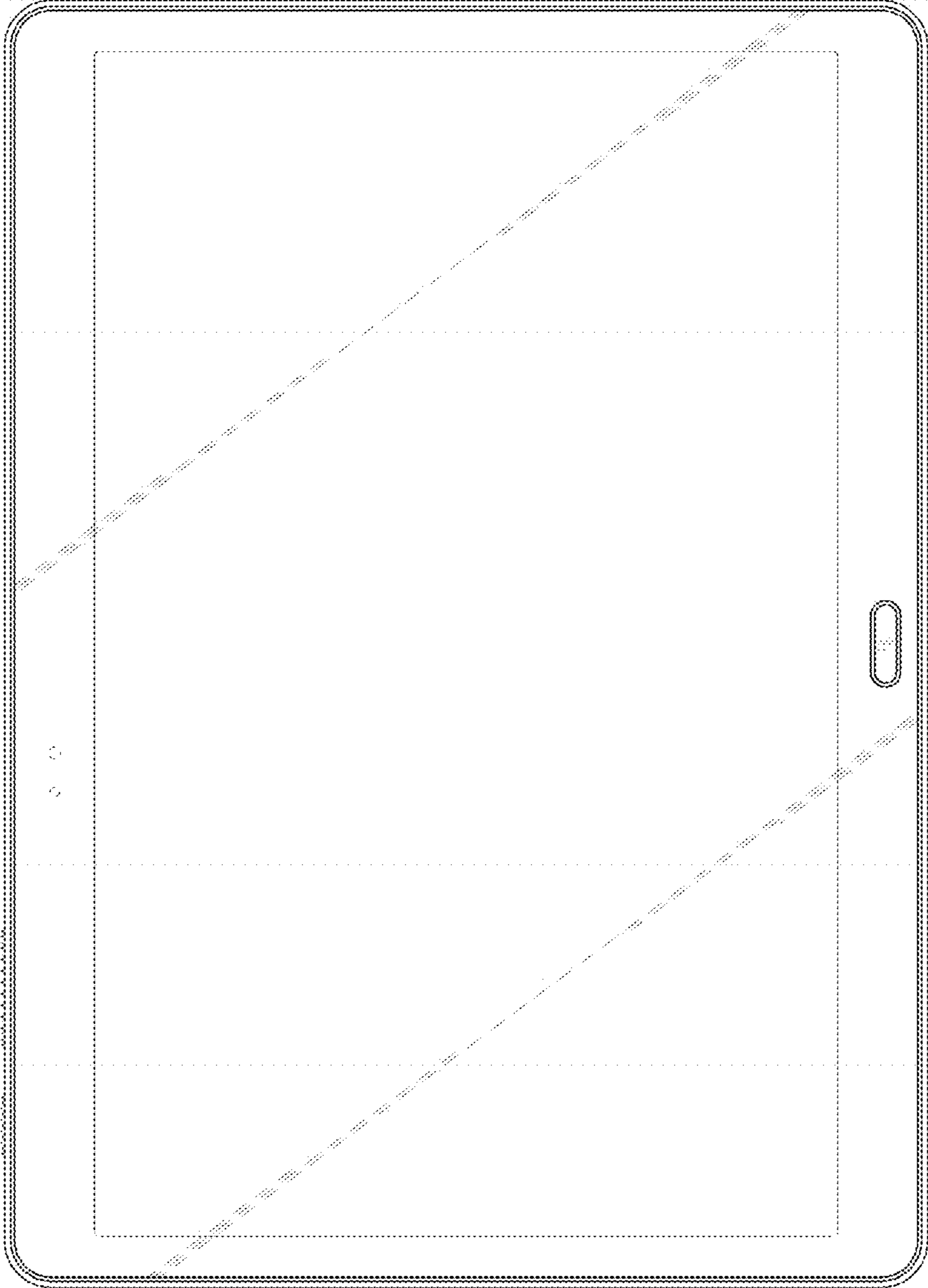


FIG. 3

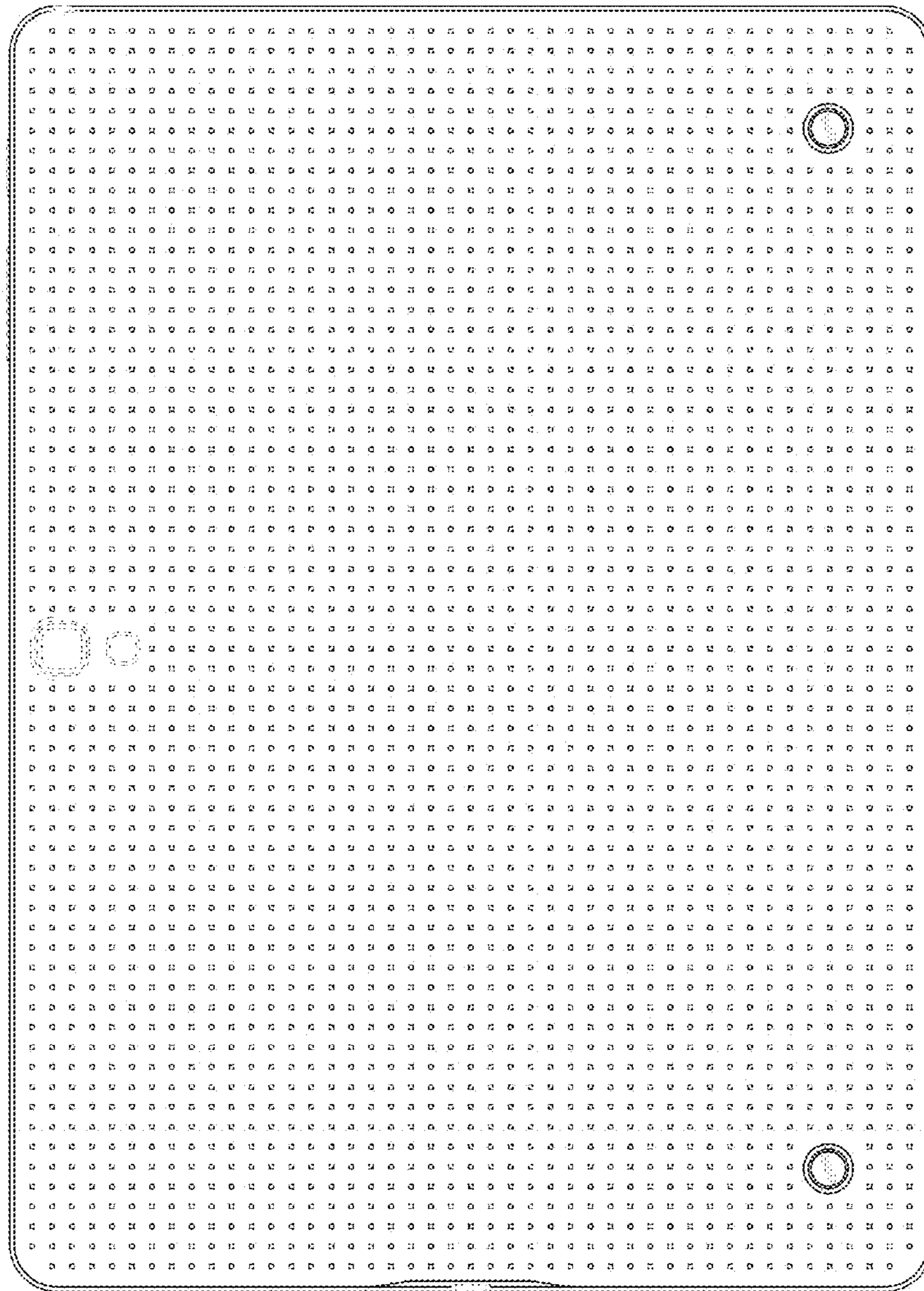


FIG.5

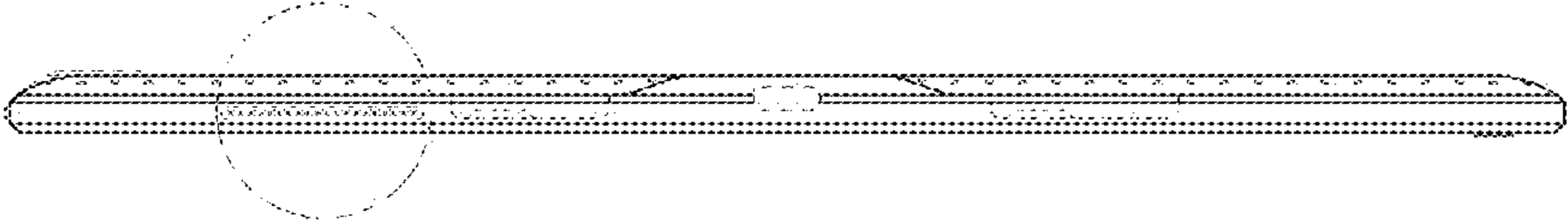


FIG.4

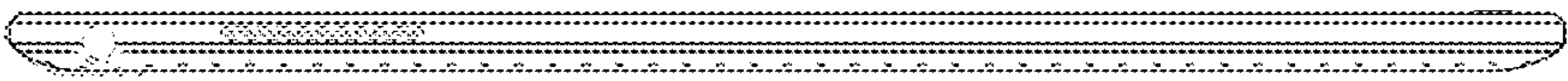


FIG.6

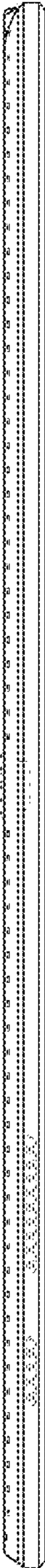


FIG.7



FIG.8

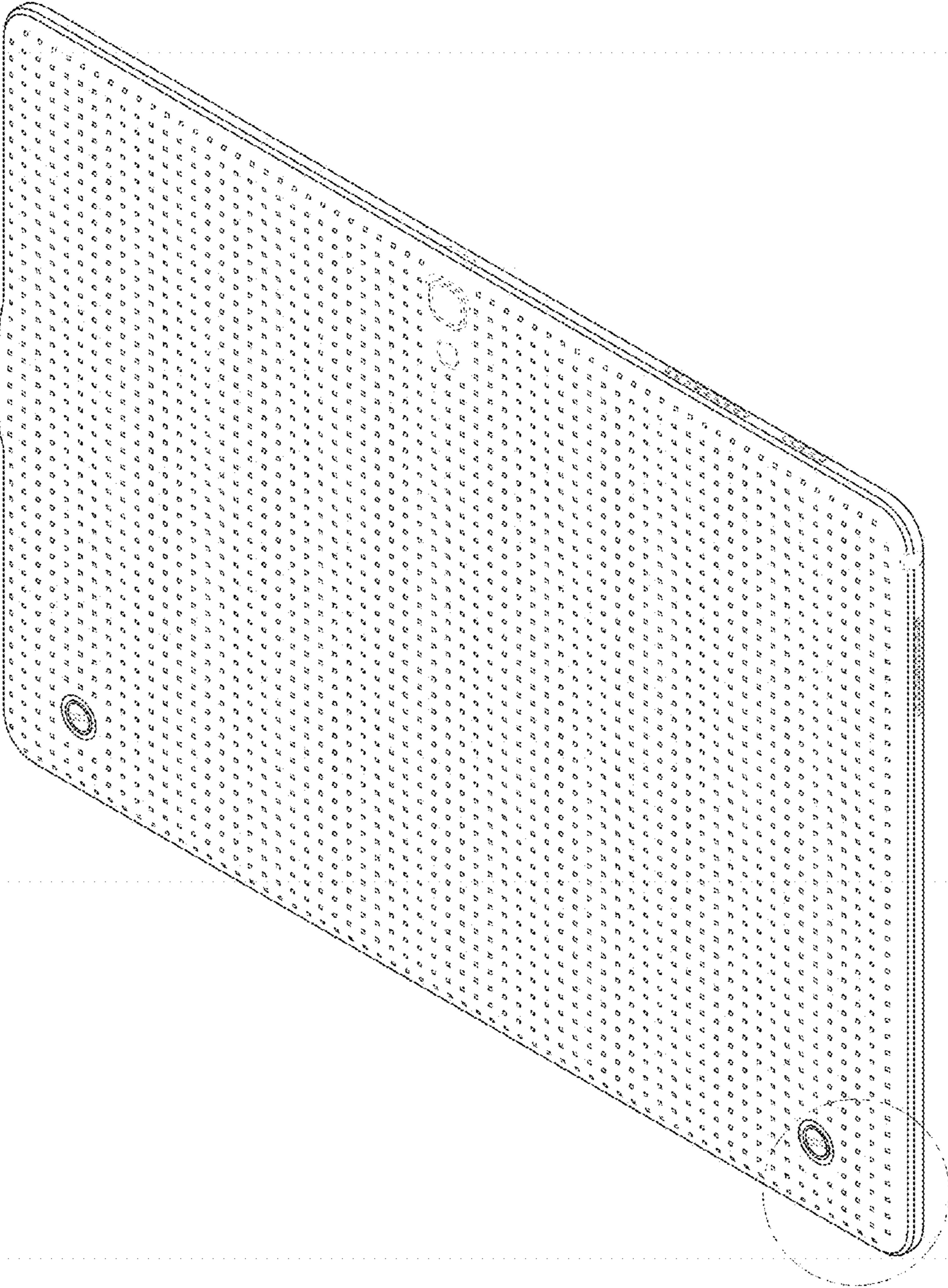




FIG. 9

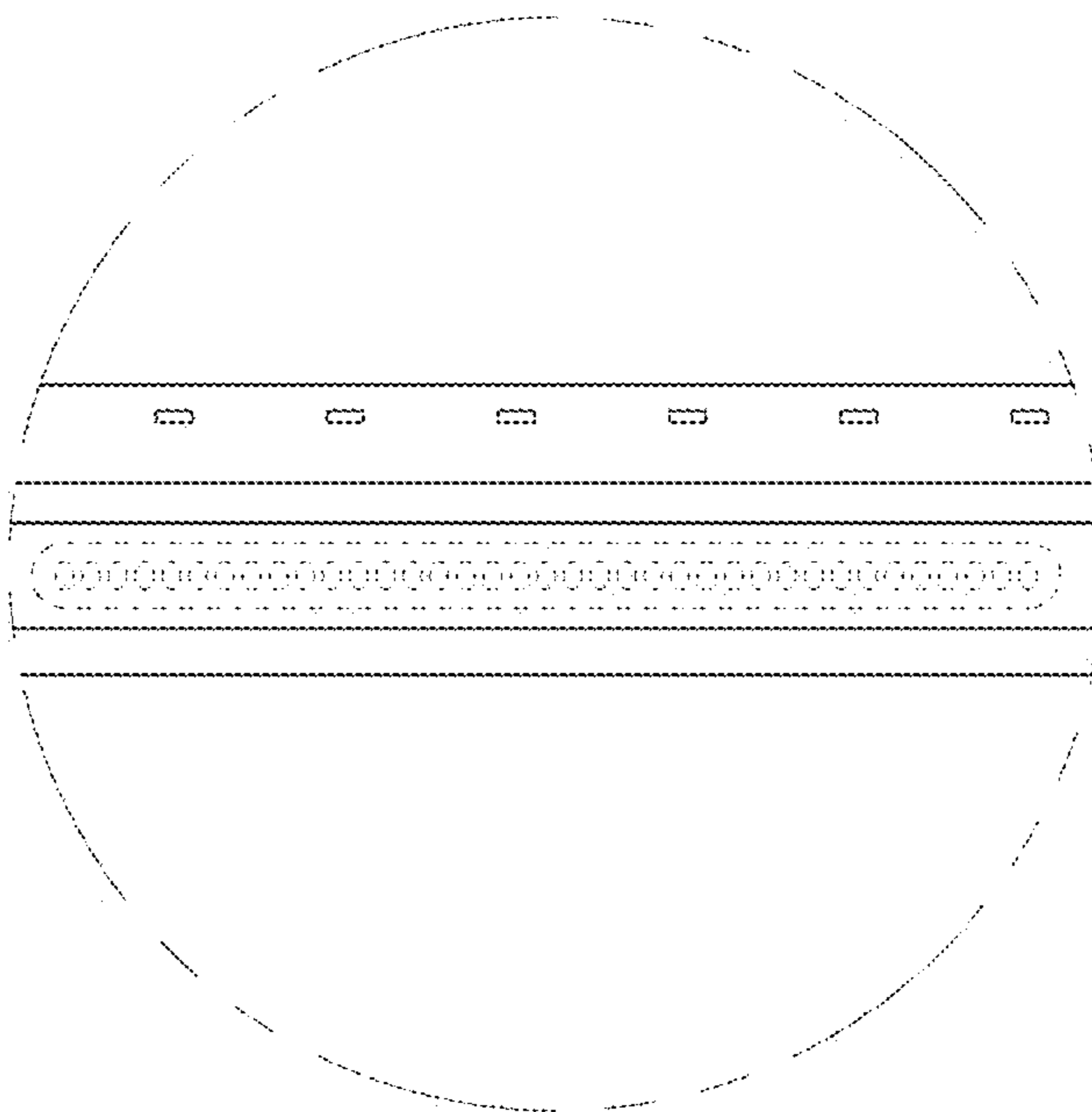


FIG.10

