



US00D763247S

(12) **United States Design Patent**
Yepez et al.

(10) **Patent No.:** **US D763,247 S**
(45) **Date of Patent:** **** Aug. 9, 2016**

- (54) **KIOSK**
- (71) Applicant: **NCR Corporation**, Duluth, GA (US)
- (72) Inventors: **Rafael Yepez**, Duluth, GA (US); **Kwan Lee**, Johns Creek, GA (US); **Charles G. V. Rohan**, Scotland (GB)
- (73) Assignee: **NCR Corporation**, Duluth, GA (US)
- (**) Term: **14 Years**
- (21) Appl. No.: **29/516,612**
- (22) Filed: **Feb. 4, 2015**
- (51) **LOC (10) Cl.** **14-02**
- (52) **U.S. Cl.**
USPC **D14/307**
- (58) **Field of Classification Search**
USPC D14/167, 154, 168, 188, 496, 156, 160,
D14/161, 162, 163, 164, 165, 158, 253, 192,
D14/159, 155, 138 AB, 137, 104.1, 307;
455/351, 350, 353; D10/104, 106, 65,
D10/78; 340/573.4, 573.1
CPC G08B 13/1672; G08B 13/19645;
G08B 25/006; H04M 11/04
See application file for complete search history.

D661,293 S *	6/2012	Kuroda	D14/307
D676,038 S *	2/2013	Masuda	D14/307
D690,293 S *	9/2013	Wilson	D14/307
D691,141 S *	10/2013	Cruz	D14/307
D693,803 S *	11/2013	Colley	D14/307
D695,285 S *	12/2013	Smith	D14/307
D707,674 S *	6/2014	Daniel	D14/307
D722,313 S *	2/2015	Birgeoglu	D14/307
D730,890 S *	6/2015	Kraft	D14/307
D732,522 S *	6/2015	Chadbourne	D14/307
D734,314 S *	7/2015	Swaine	D14/307
D734,315 S *	7/2015	Masuda	D14/307
D751,061 S *	3/2016	Berini	D14/307

* cited by examiner

Primary Examiner — Austin Murphy

(74) *Attorney, Agent, or Firm* — Paul W. Martin

(56) **References Cited**
U.S. PATENT DOCUMENTS

D425,875 S *	5/2000	Wilson	D14/130
D511,514 S *	11/2005	Sonetaka	D14/307
D605,191 S *	12/2009	Kuroda	D14/307

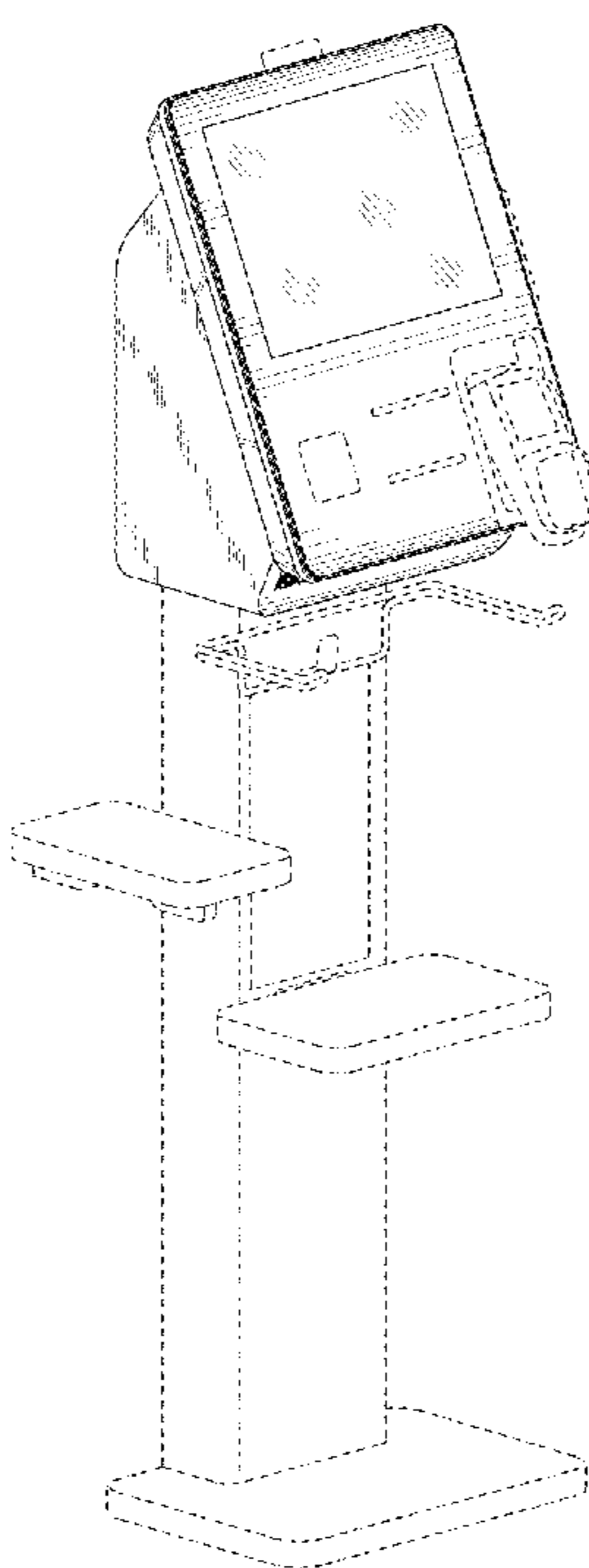
(57) **CLAIM**

The ornamental design for a kiosk, as shown and described.

DESCRIPTION

FIG. 1 is a front view of a first embodiment of a kiosk showing our new design;
 FIG. 2 is a rear view thereof;
 FIG. 3 is a right side view thereof;
 FIG. 4 is a left side view thereof;
 FIG. 5 is a top view thereof;
 FIG. 6 is a bottom view thereof;
 FIG. 7 is a front perspective view thereof; and,
 FIG. 8 is a rear perspective view thereof.

1 Claim, 7 Drawing Sheets



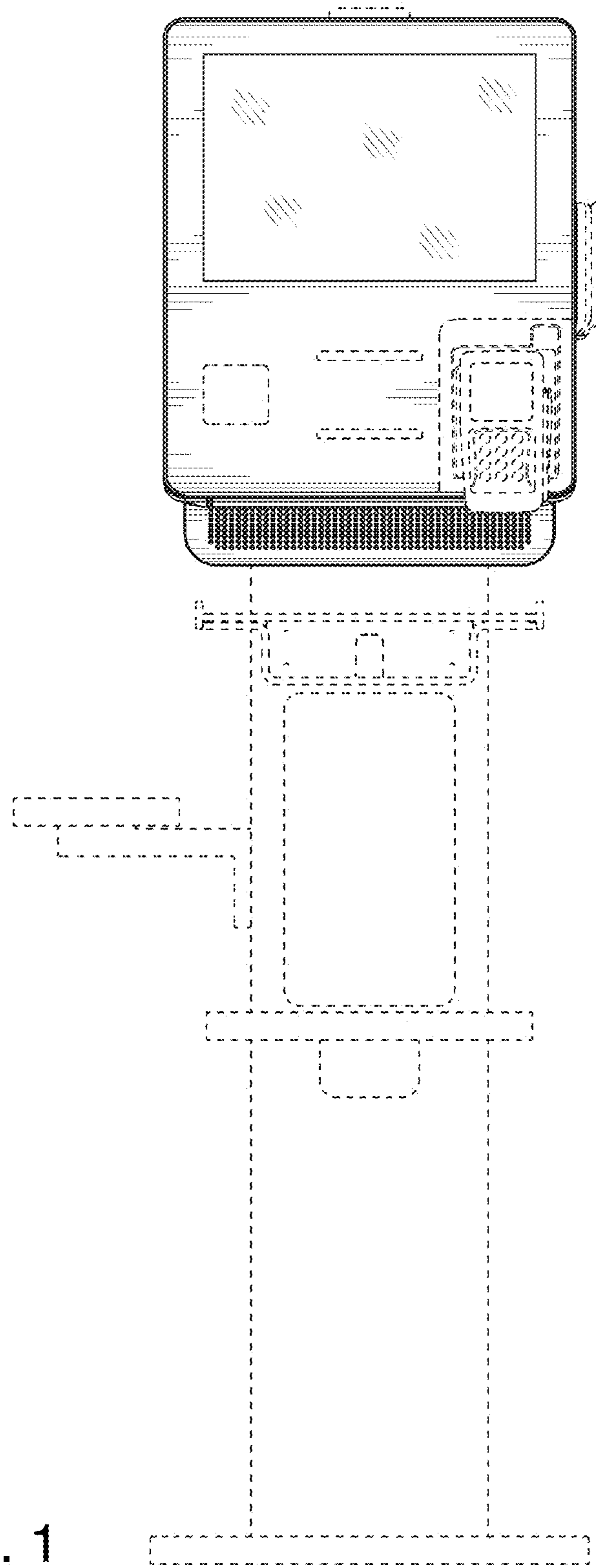


FIG. 1

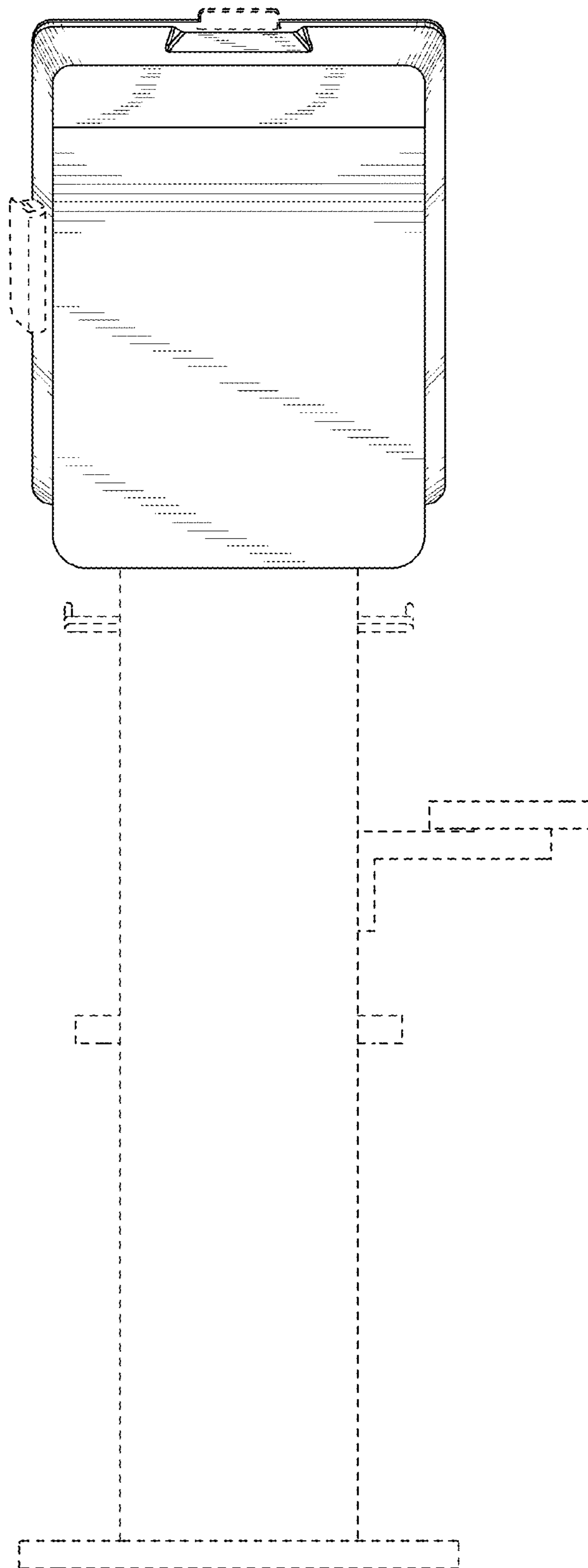


FIG. 2

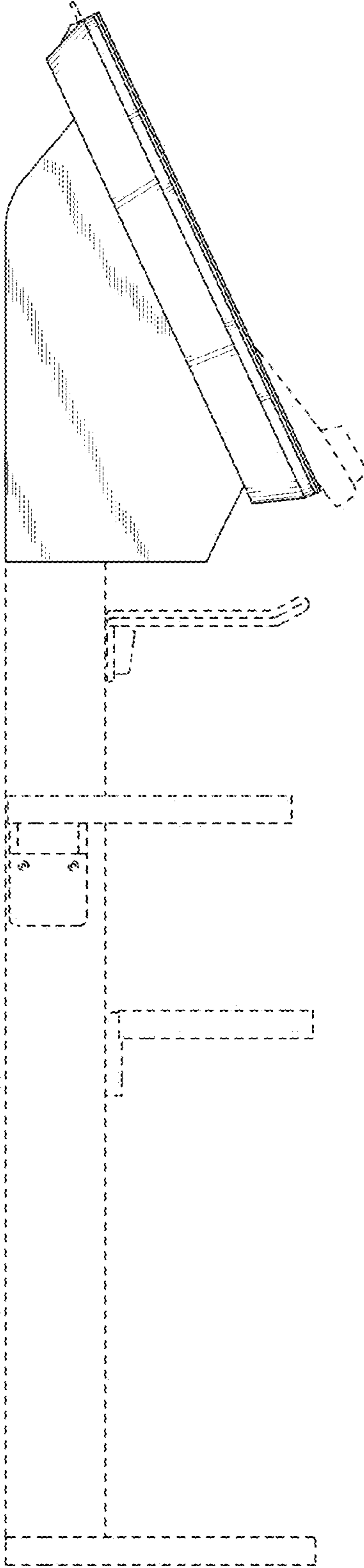


FIG. 3

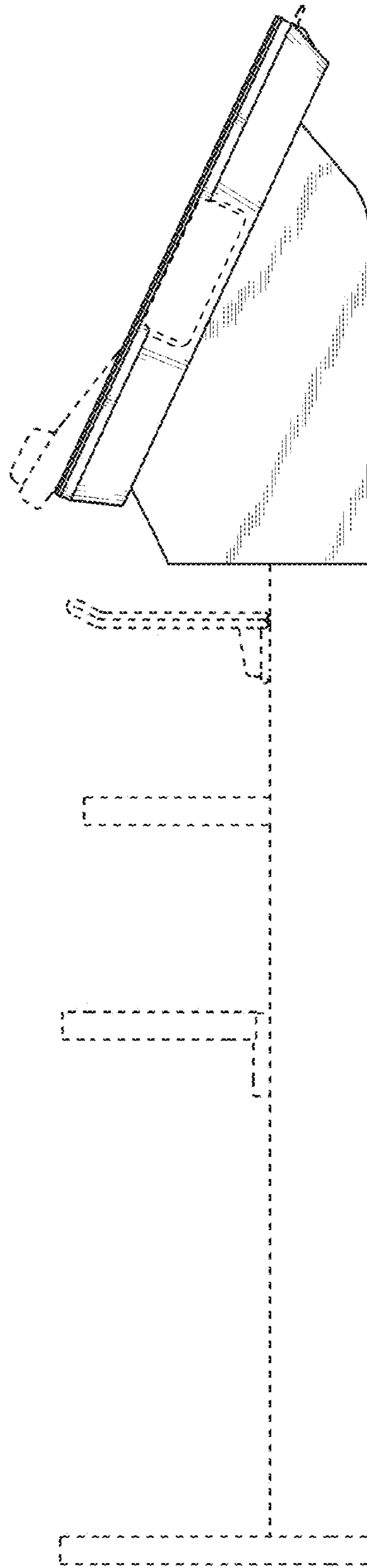


FIG. 4

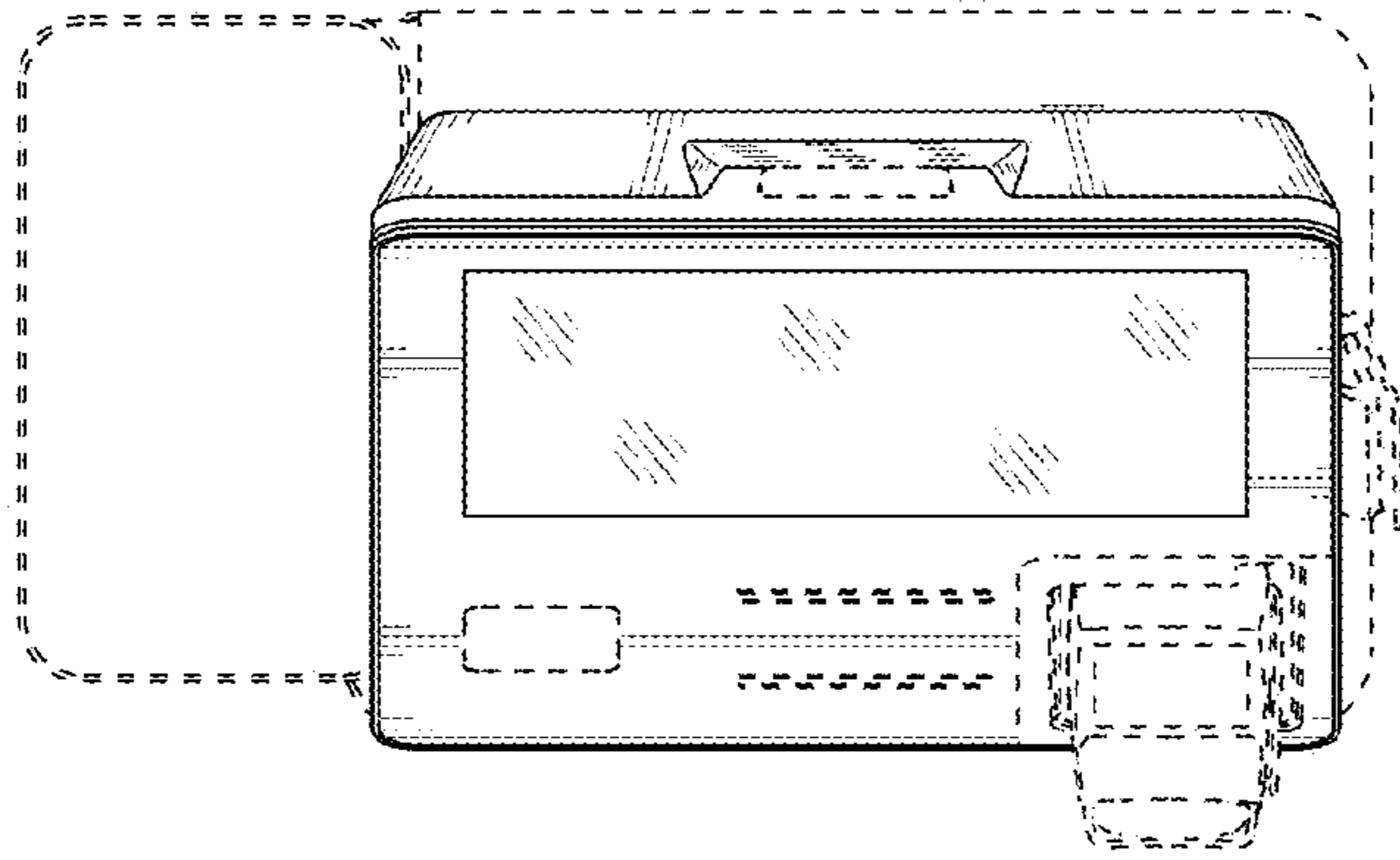


FIG. 5

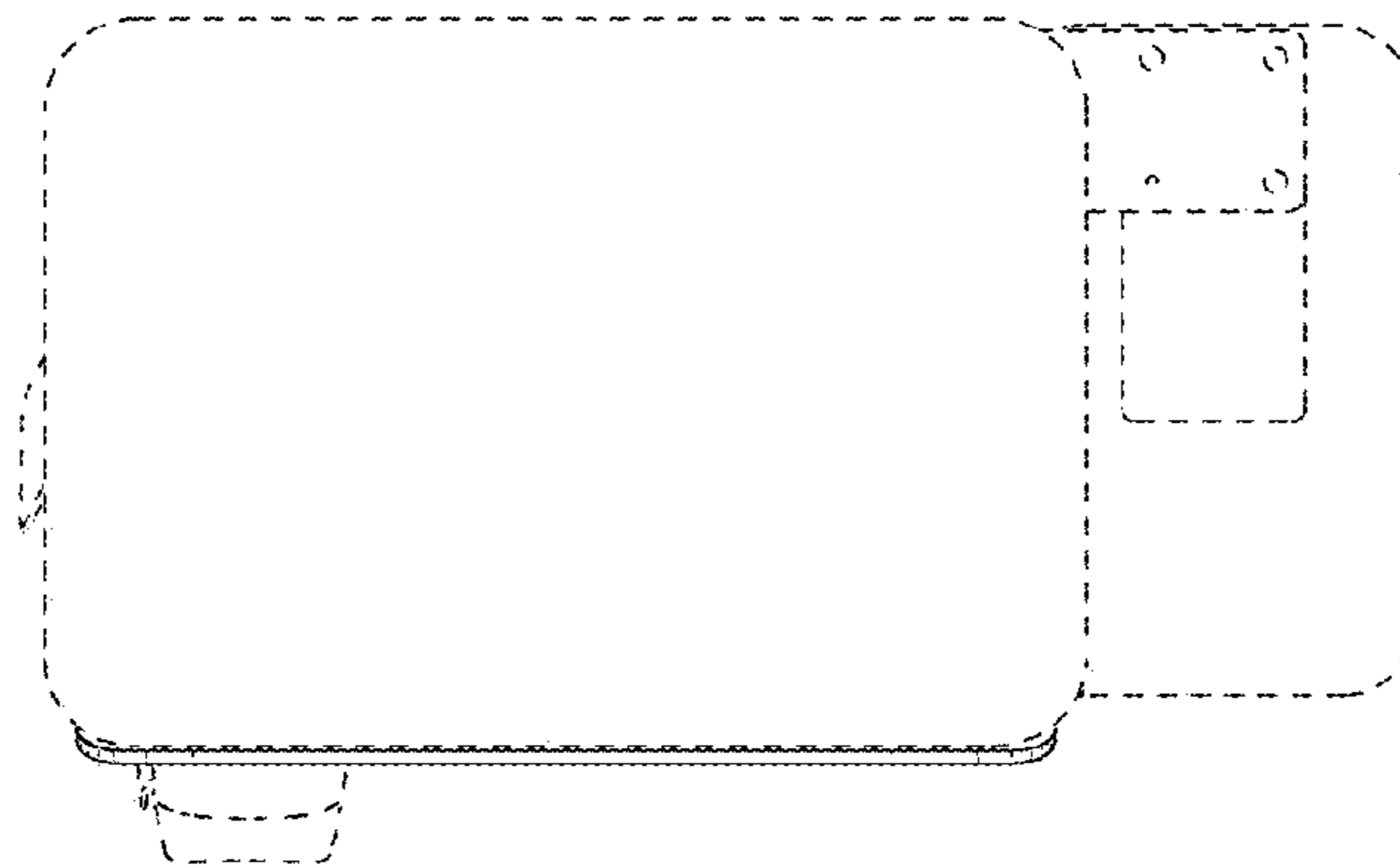


FIG. 6

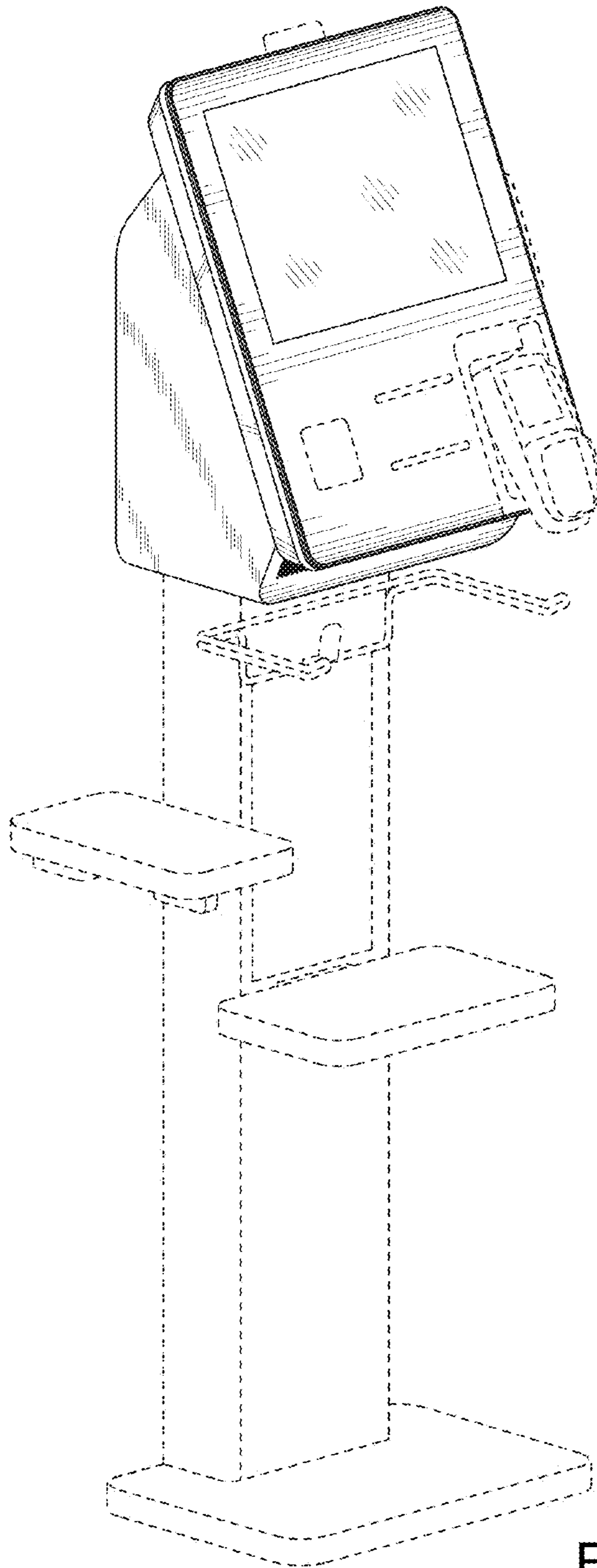


FIG. 7

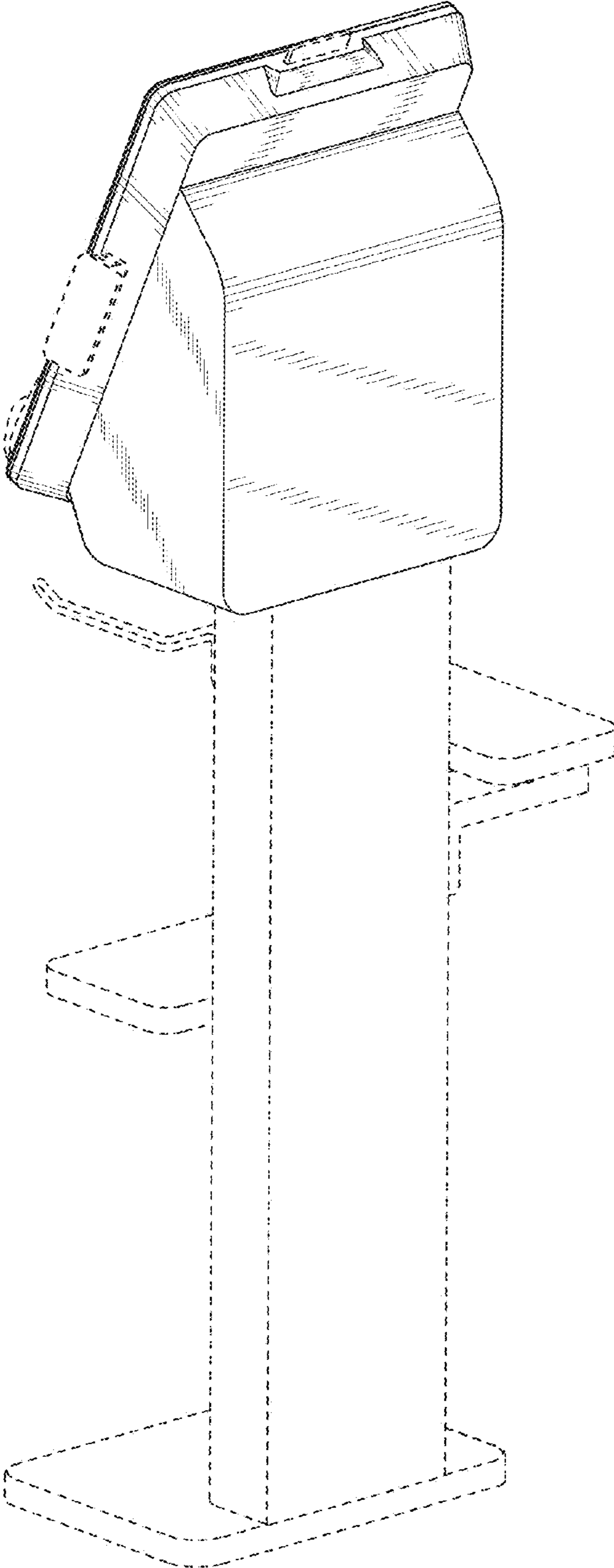


FIG. 8