



US00D763244S

(12) **United States Design Patent**
McGarry et al.

(10) **Patent No.:** **US D763,244 S**

(45) **Date of Patent:** **** Aug. 9, 2016**

(54) **SMARTPHONE HOLDER**

- (71) Applicant: **Braun GmbH**, Kronberg (DE)
- (72) Inventors: **Rory Frederick Wellington McGarry**,
Glenealy (IE); **Fritz Schubert**, Bad
Camberg (DE)
- (73) Assignee: **BRAUN GMBH**, Kronberg (DE)
- (**) Term: **15 Years**
- (21) Appl. No.: **29/547,136**
- (22) Filed: **Dec. 1, 2015**

Related U.S. Application Data

- (62) Division of application No. 29/491,187, filed on May 19, 2014, now Pat. No. Des. 746,807.

Foreign Application Priority Data

- Dec. 19, 2013 (WO) 782183601
- (51) **LOC (10) Cl.** **14-03**
- (52) **U.S. Cl.**
USPC **D14/253**
- (58) **Field of Classification Search**
USPC D14/251–253, 432, 434, 447, 451, 452,
D14/140, 142, 149, 217, 240; D21/313;
D13/107, 108; D10/23; D8/71, 72, 74,
D8/349, 373; D6/302, 303, 306, 310, 312;
455/575.1; D19/75, 86, 88, 90, 91, 95;
D16/242, 245; D3/218; D12/415
CPC H04M 1/00; H04M 1/04; H04M 1/06;
H04M 1/11; F16M 11/04; F16M 11/041;
B60R 11/02; B60R 11/0241; B60R 11/0258;
B60R 11/0252

See application file for complete search history.

(56) **References Cited**

U.S. PATENT DOCUMENTS

D246,154 S *	10/1977	Tsang	D3/210
D443,804 S *	6/2001	Wysopal	D3/211
D453,920 S *	2/2002	Greene	D13/108
D454,703 S *	3/2002	Doeing	D19/90
D474,736 S *	5/2003	Sagawa	D13/108
D477,920 S *	8/2003	McCarty	D6/310
7,099,467 B1 *	8/2006	Rohrbach	G09B 15/00 379/441
D553,122 S *	10/2007	Solland	D14/217
D557,166 S *	12/2007	Wysopal	D11/26
D558,193 S *	12/2007	Ju	D14/253
D585,898 S *	2/2009	Skurdal	D14/434
D596,561 S *	7/2009	Chon	D13/108
D600,680 S *	9/2009	Mead	D13/108
D628,203 S *	11/2010	Noble	D14/447

(Continued)

Primary Examiner — Susan Bennett Hattan

Assistant Examiner — Marie Fast Horse

(74) *Attorney, Agent, or Firm* — Vladimir Vitenberg

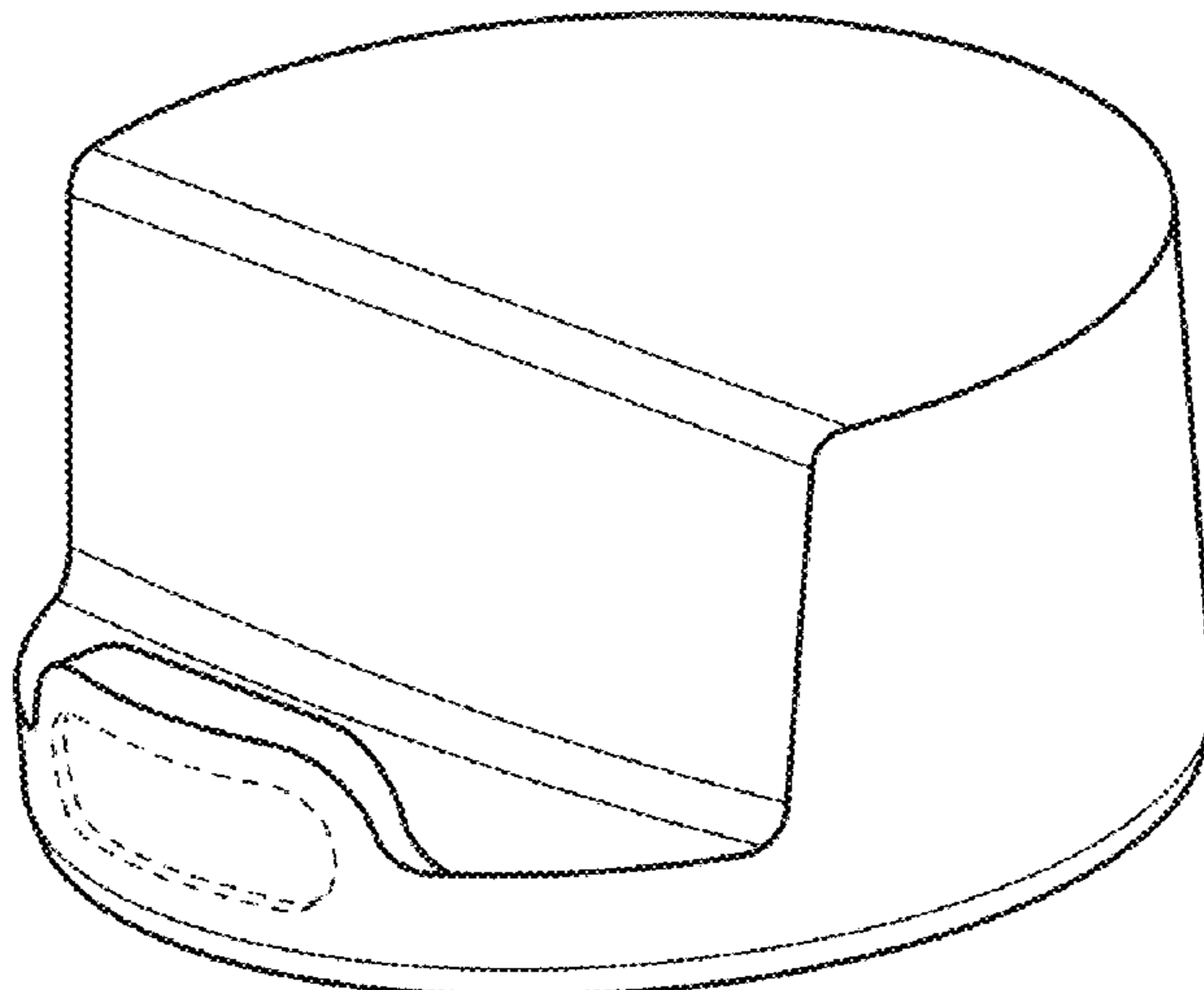
(57) **CLAIM**

The ornamental design for smartphone holder, as shown and described.

DESCRIPTION

FIG. 1 is a perspective view of a smartphone holder showing our new design;
 FIG. 2 is a front view of the smartphone holder as shown in FIG. 1;
 FIG. 3 is a right side view of the smartphone holder as shown in FIG. 1;
 FIG. 4 is a rear view of the smartphone holder as shown in FIG. 1;
 FIG. 5 is a left side view of the smartphone holder as shown in FIG. 1;
 FIG. 6 is a top plan view of the smartphone holder as shown in FIG. 1; and,
 FIG. 7 is a bottom view of the smartphone holder as shown in FIG. 1.
 The broken lines shown in the drawings depict parts of the smartphone holder that form no part of the claimed design.

1 Claim, 1 Drawing Sheet



(56)

References Cited

U.S. PATENT DOCUMENTS

D629,806 S *	12/2010	Ho	D14/434	D709,065 S *	7/2014	Guyot	D14/253
D654,921 S *	2/2012	Malsan	D14/447	D709,075 S *	7/2014	Miniard	D14/447
D657,741 S *	4/2012	Fahrendorff	D13/108	D711,366 S *	8/2014	Lui	D14/253
D659,696 S *	5/2012	Lanza	D14/447	D719,146 S *	12/2014	Herbst	D14/253
D662,505 S *	6/2012	Mori	D14/447	D721,033 S *	1/2015	Fujioka	D13/108
D666,204 S *	8/2012	Han	D14/447	D723,021 S *	2/2015	Guyot	D14/253
D667,403 S *	9/2012	Maus	D13/107	D730,888 S *	6/2015	Malsan	D14/253
D672,350 S *	12/2012	Gioscia	D14/434	D746,807 S *	1/2016	McGarry	D14/253
D694,228 S *	11/2013	Richter	D14/253	2009/0075693 A1*	3/2009	So	H04M 1/04 455/556.1
D703,215 S *	4/2014	Alesi	D14/447	2012/0001048 A1*	1/2012	Takahashi	H04M 1/04 248/346.03
D704,633 S *	5/2014	Ryu	D13/108	2014/0135062 A1*	5/2014	Bevirt	H04M 1/04 455/556.1
D706,784 S *	6/2014	Mills	D14/447					

* cited by examiner

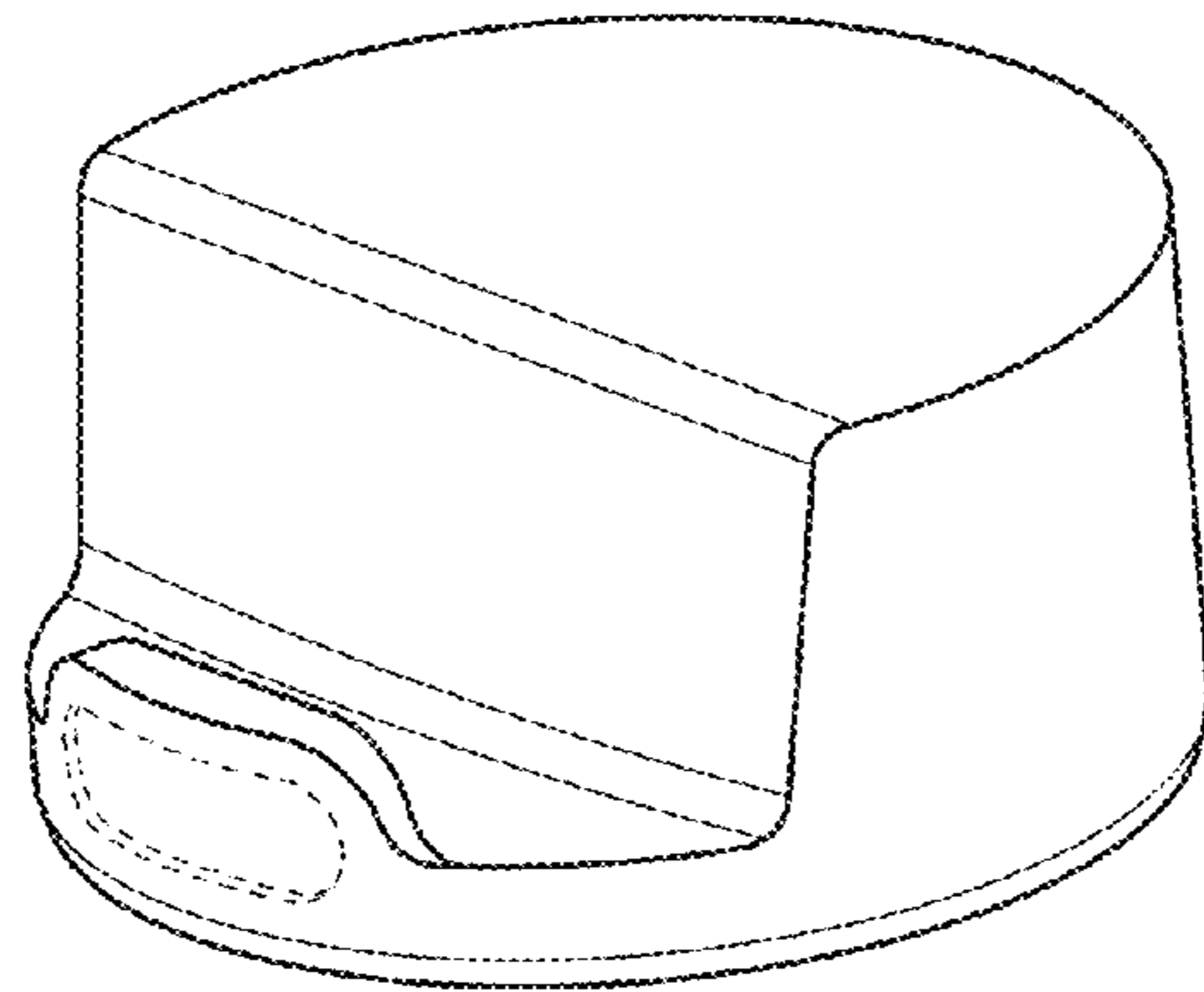


Fig. 1

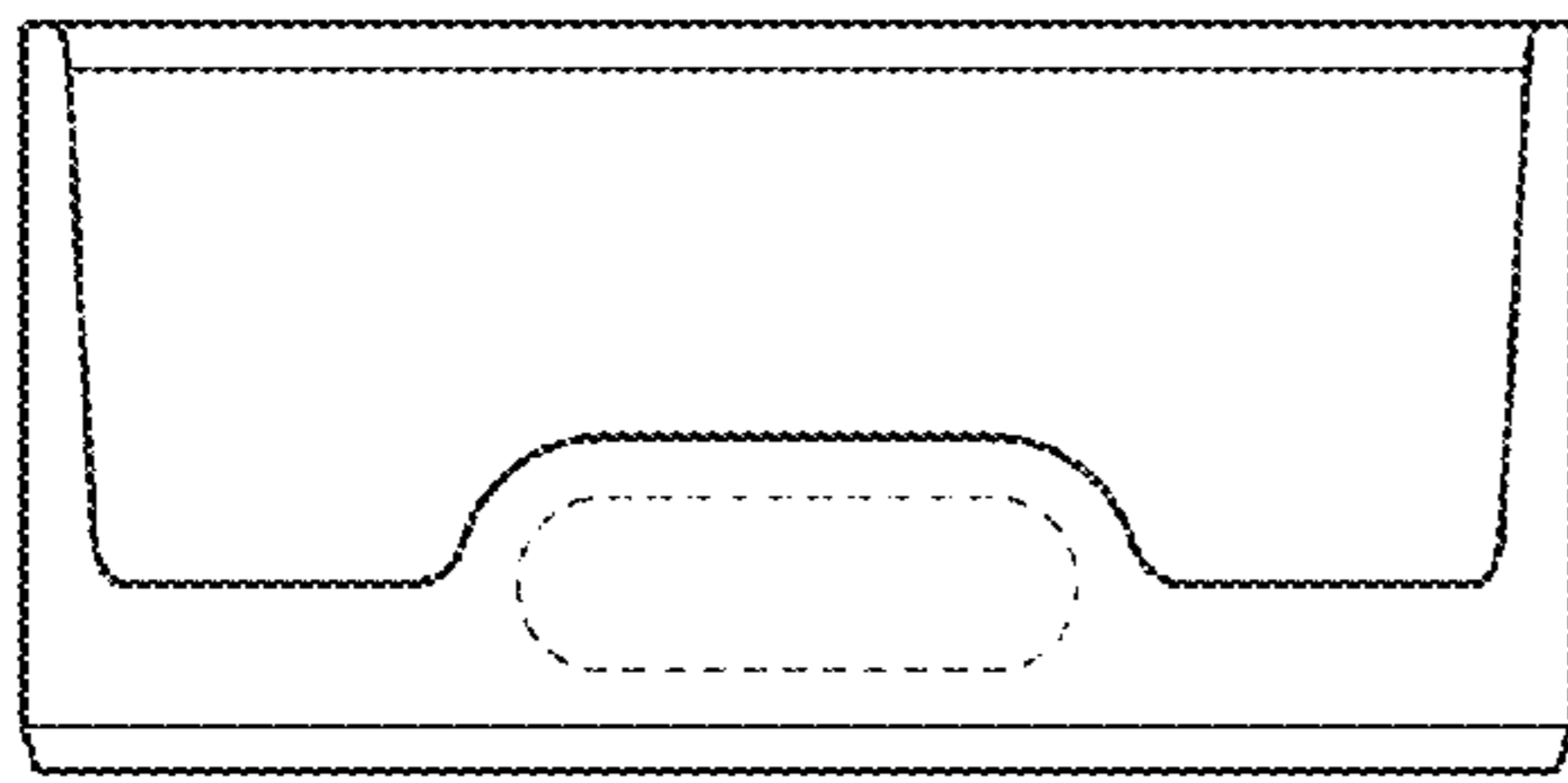


Fig. 2

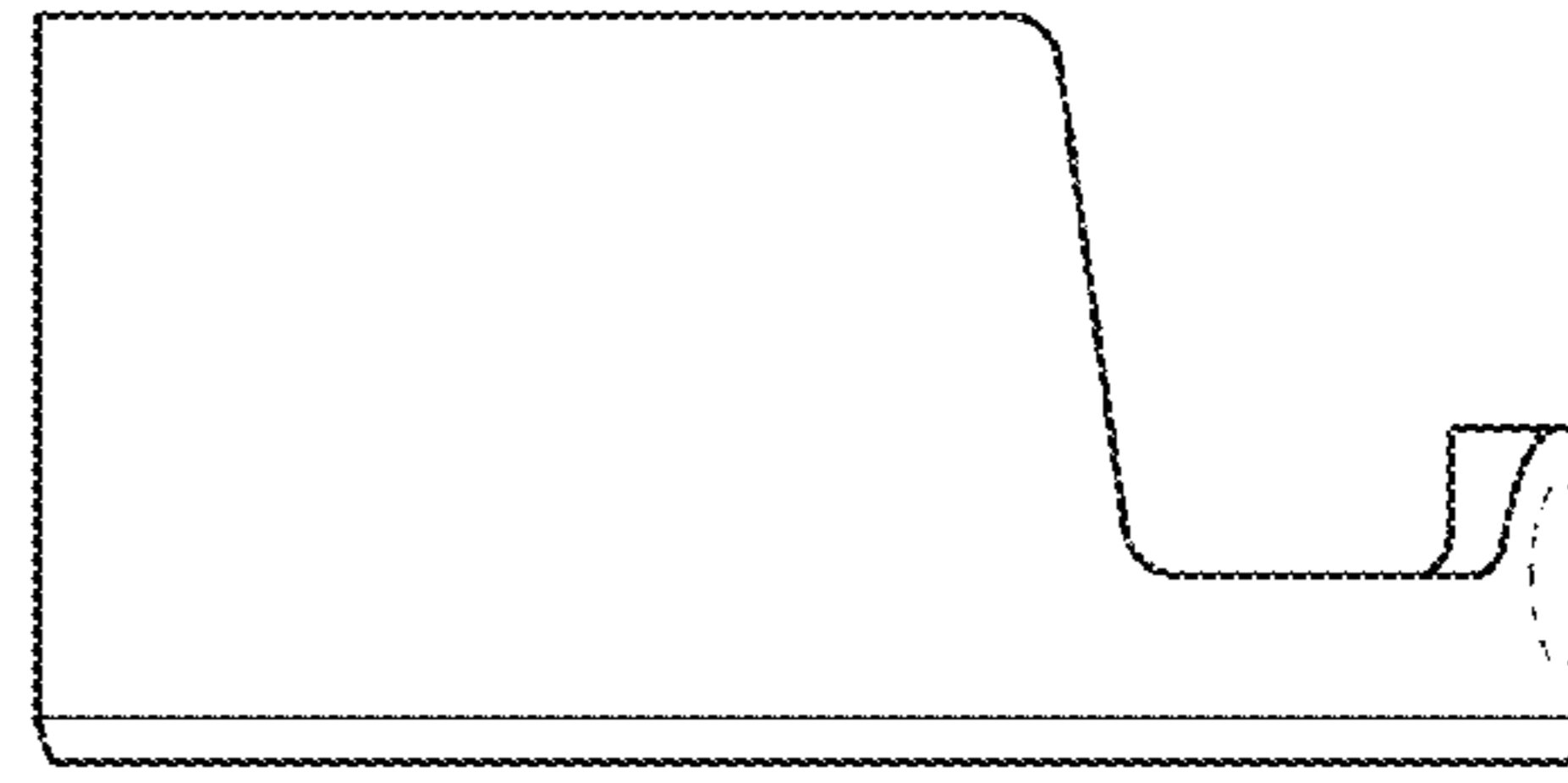


Fig. 3

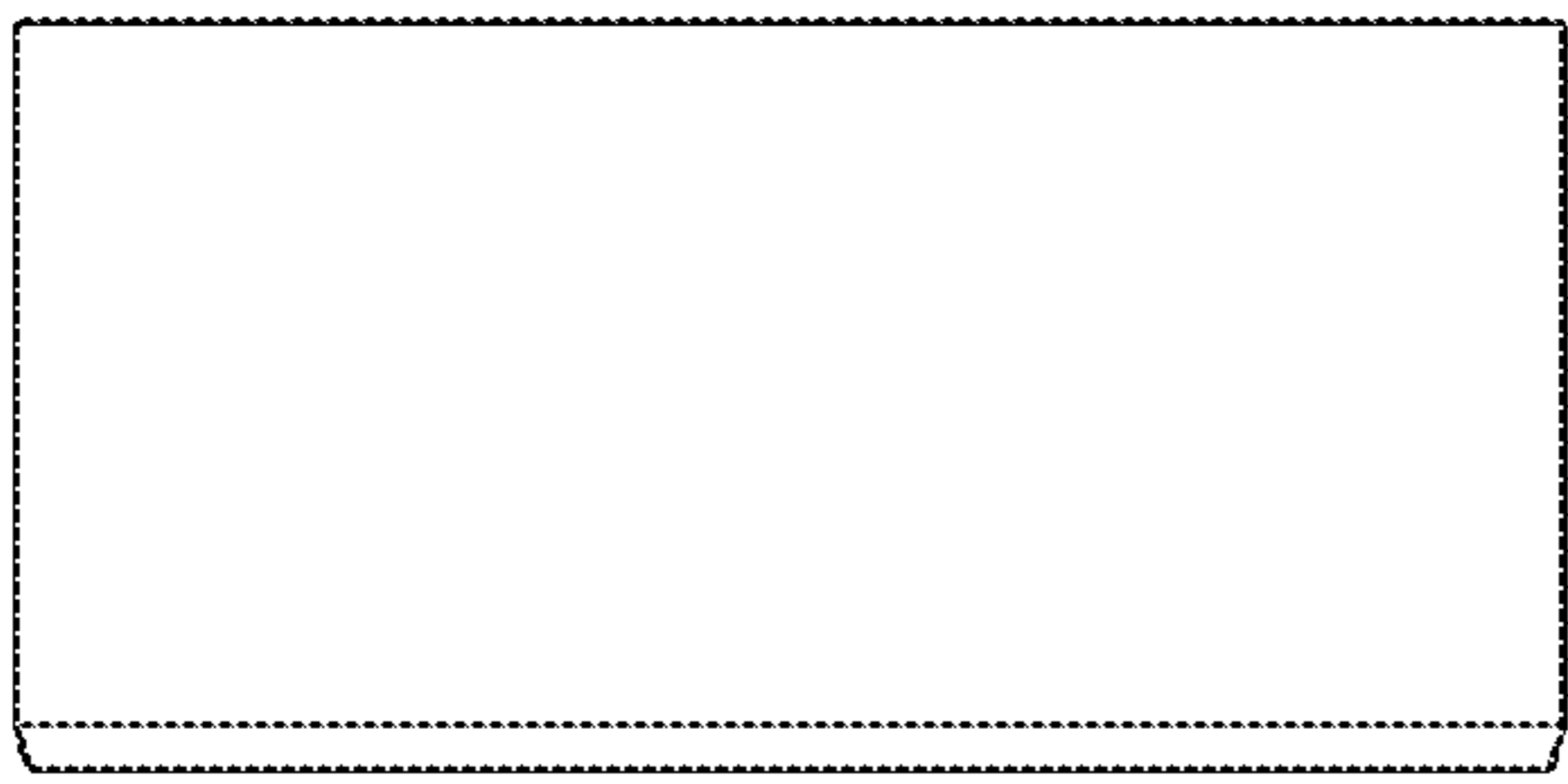


Fig. 4

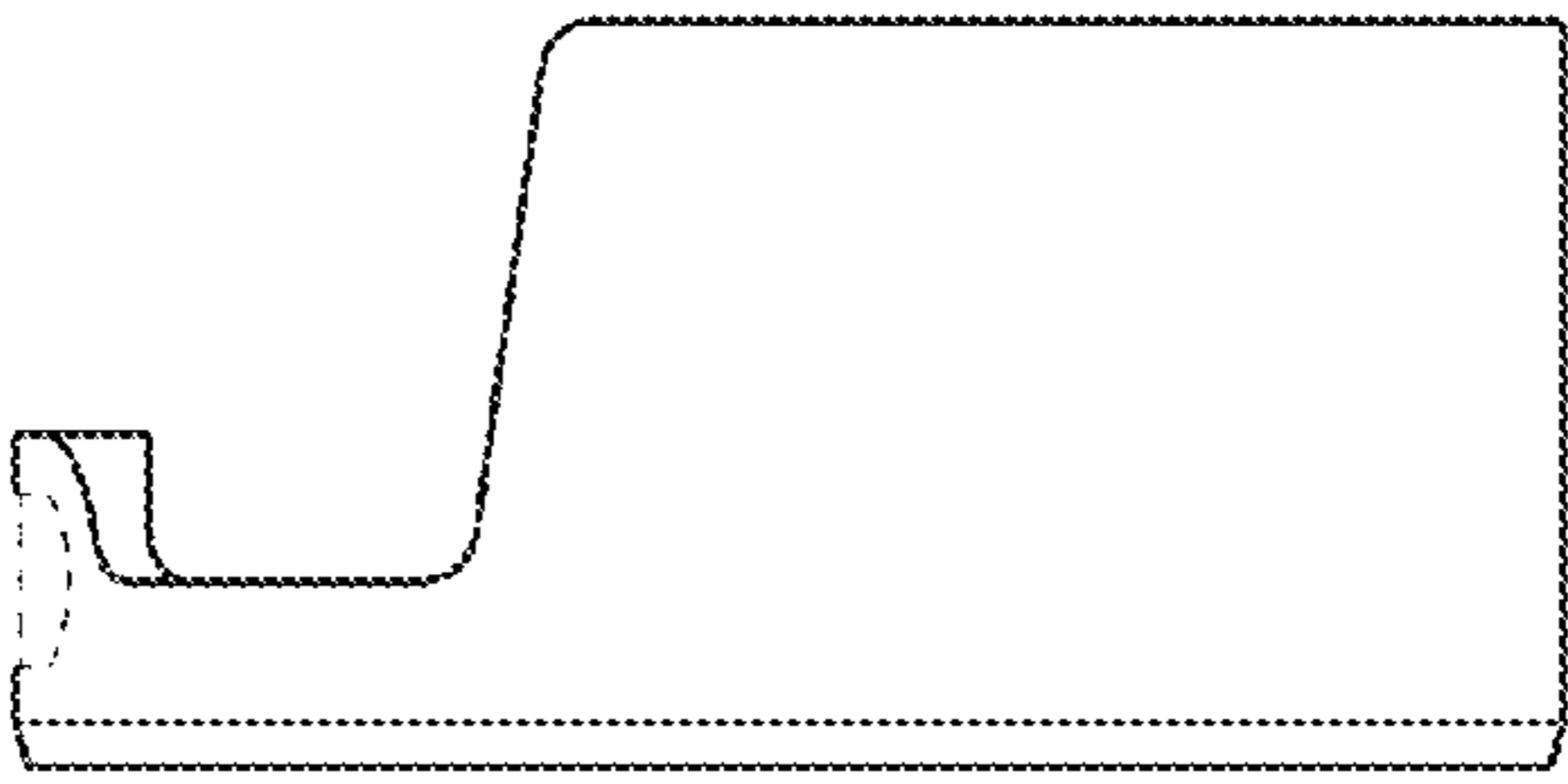


Fig. 5

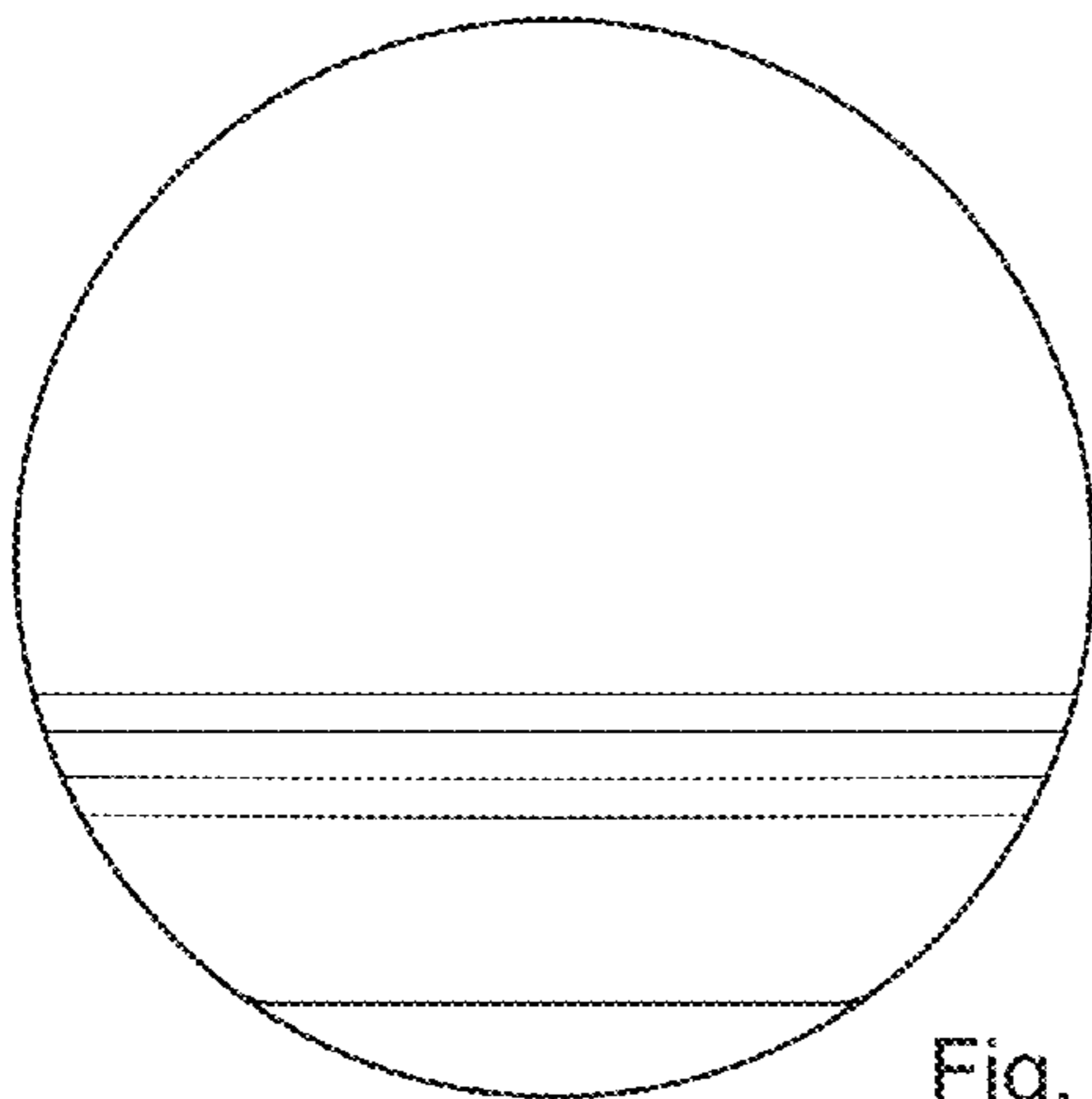


Fig. 6

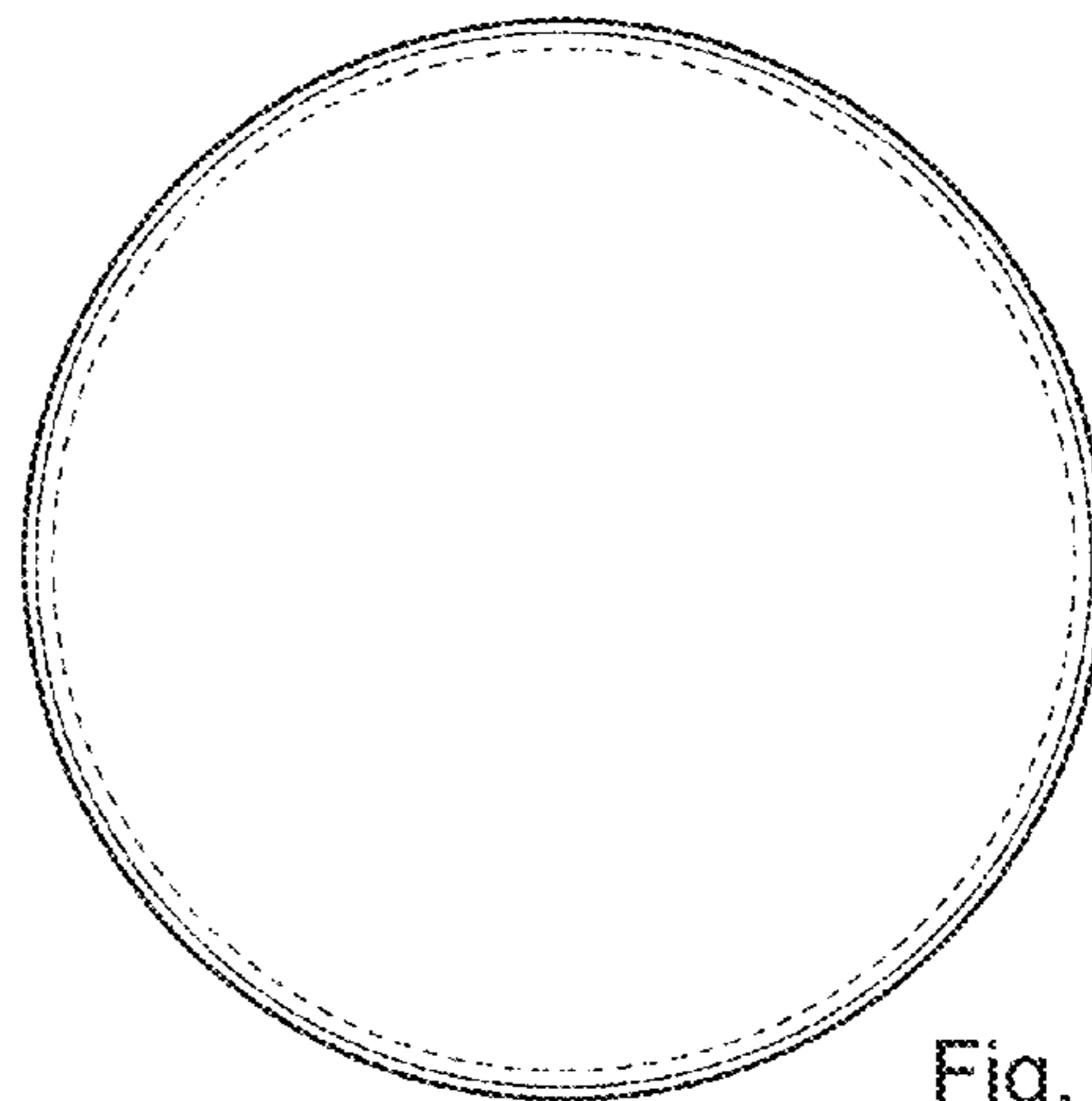


Fig. 7