



US00D763240S

(12) **United States Design Patent**
Amit et al.

(10) **Patent No.:** **US D763,240 S**
(45) **Date of Patent:** **** Aug. 9, 2016**

(54) **PORTION OF A HANDHELD DEVICE**

(71) Applicant: **Google Inc.**, Mountain View, CA (US)

(72) Inventors: **Gadi Amit**, San Mateo, CA (US); **Daniel J. Clifton**, San Francisco, CA (US); **Paul Eremenko**, Sunnyvale, CA (US); **Inbal Etgar**, San Francisco, CA (US); **Susan Elizabeth McKinney**, San Francisco, CA (US)

(73) Assignee: **Google Inc.**, Mountain View, CA (US)

(**) Term: **14 Years**

(21) Appl. No.: **29/495,449**

(22) Filed: **Jul. 1, 2014**

(51) **LOC (10) Cl.** **14-02**

(52) **U.S. Cl.**
USPC **D14/250**; D14/341

(58) **Field of Classification Search**
USPC D14/341, 496, 138 AA, 138 R, 138 C,
D14/383, 250, 218; 345/173; 455/575.1
CPC H04M 1/00; B65D 85/00
See application file for complete search history.

(56) **References Cited**

U.S. PATENT DOCUMENTS

D236,492 S *	8/1975	Helgesson	D13/103
D289,873 S *	5/1987	Gemmell	D14/374
D313,503 S *	1/1991	Senitt	D21/606
D338,656 S *	8/1993	Spayde	D14/341
D346,580 S *	5/1994	Tattari	D13/103
D349,681 S *	8/1994	Siddoway	D13/103
D357,896 S *	5/1995	Berry	D13/103

5,859,628 A *	1/1999	Ross	B60R 16/0315 340/990
D514,123 S *	1/2006	Naruki	D14/203.3
D535,631 S *	1/2007	Millora	D14/126
D557,673 S *	12/2007	Lee	D14/138 AA

(Continued)

Primary Examiner — Paula Greene

(74) *Attorney, Agent, or Firm* — Fish & Richardson P.C.

(57) **CLAIM**

The ornamental design for a portion of a handheld device, substantially as shown and described.

DESCRIPTION

FIG. 1 is a perspective front view of a first embodiment of a handheld device.

FIG. 2 is a front view of the embodiment of FIG. 1.

FIG. 3 is a rear view of the embodiment of FIG. 1.

FIG. 4 is a left side view of the embodiment of FIG. 1.

FIG. 5 is a right side view of the embodiment of FIG. 1.

FIG. 6 is a bottom view of the embodiment of FIG. 1.

FIG. 7 is a top view of the embodiment of FIG. 1.

FIG. 8 is a perspective front view of a second embodiment of a handheld device.

FIG. 9 is a front view of the embodiment of FIG. 8.

FIG. 10 is a rear view of the embodiment of FIG. 8.

FIG. 11 is a left side view of the embodiment of FIG. 8.

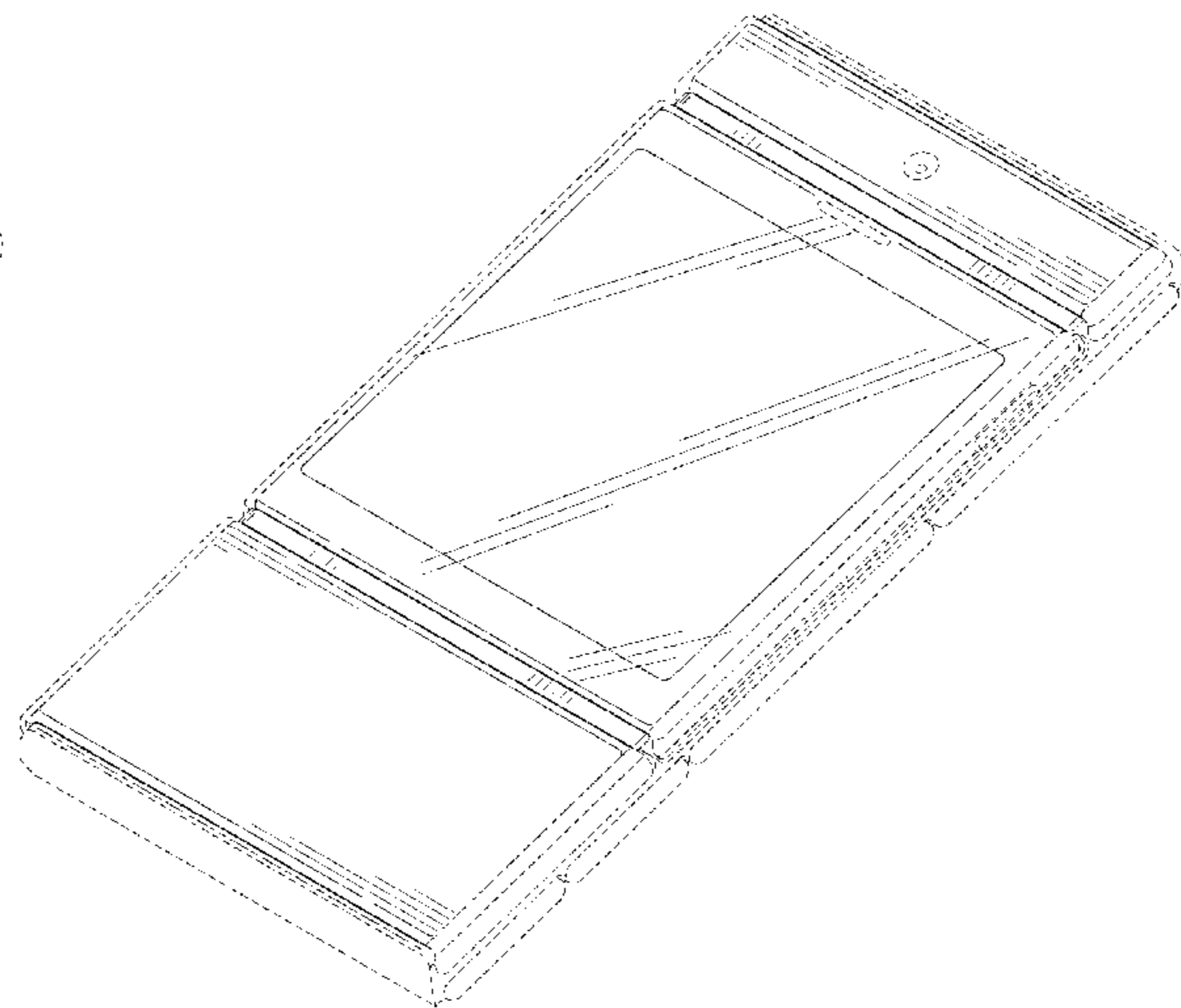
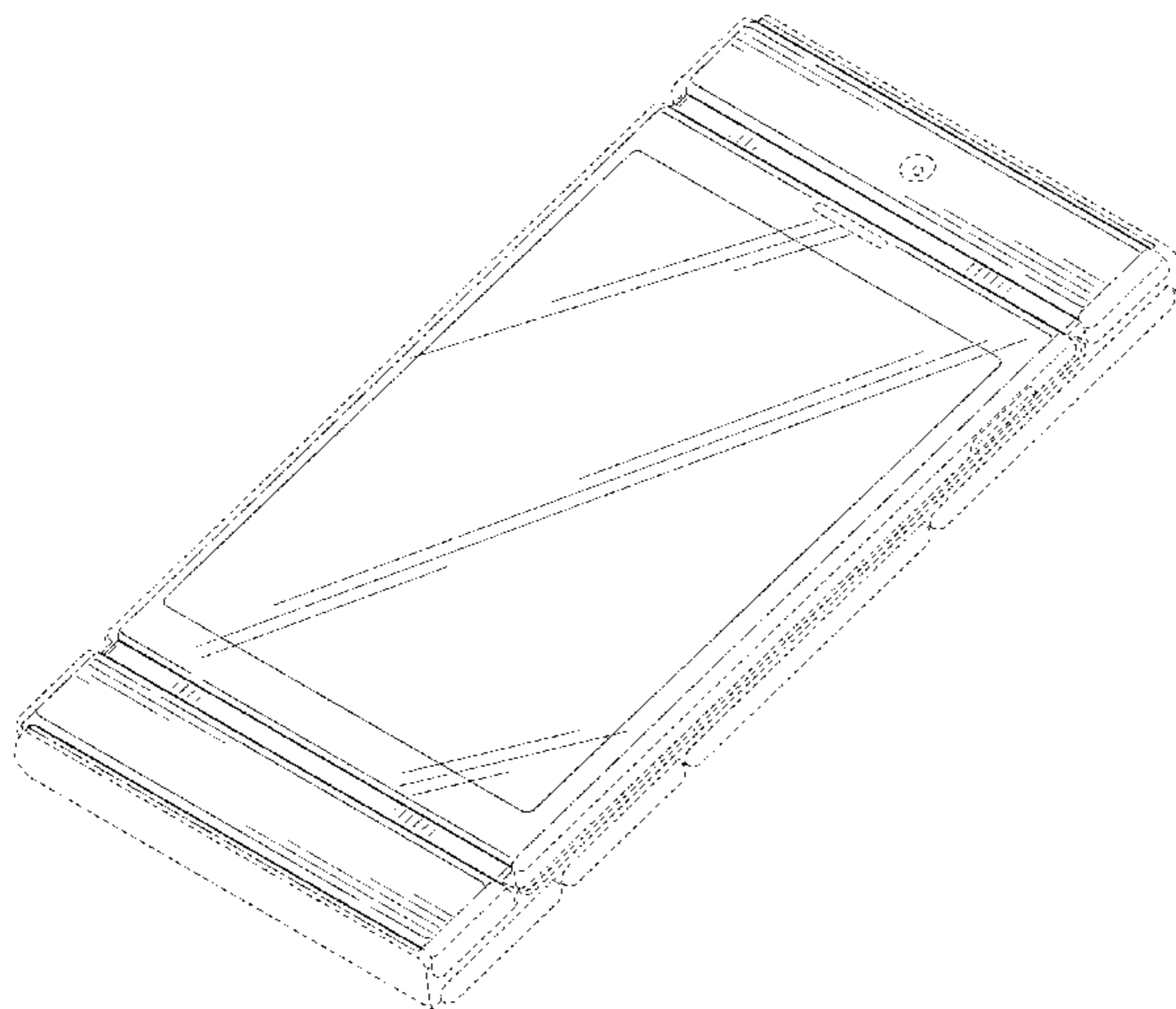
FIG. 12 is a right side view of the embodiment of FIG. 8.

FIG. 13 is a bottom view of the embodiment of FIG. 8; and, FIG. 14 is a top view of the embodiment of FIG. 8.

The claimed design, bordered by a dot-dash line in the perspective and rear views, is a portion of a handheld electronic device, such as a mobile telephone or tablet.

The broken lines in each figure illustrate graphical environmental features that form no part of the claimed design.

1 Claim, 8 Drawing Sheets



(56)

References Cited

U.S. PATENT DOCUMENTS

D558,197 S * 12/2007 Forester D14/341
 D560,686 S * 1/2008 Kim D14/496
 D561,783 S * 2/2008 Schmelling D14/496
 D567,819 S * 4/2008 Devericks D14/496
 D573,565 S * 7/2008 Edwards D14/138 AA
 D580,387 S * 11/2008 Andre D14/138 G
 D592,646 S * 5/2009 Sun D14/218
 D594,030 S * 6/2009 Rayn D14/496
 D602,014 S * 10/2009 Andre D14/341
 D606,061 S * 12/2009 Chen D14/248
 D606,986 S * 12/2009 de Jong D14/250
 D607,427 S * 1/2010 Ho D14/138 AA
 D620,919 S * 8/2010 Lee D14/203.3
 D627,344 S * 11/2010 Chien D14/138 G
 D629,799 S * 12/2010 Andre D14/341
 D634,313 S * 3/2011 Fitzpatrick D14/250
 D634,394 S * 3/2011 Whitman D23/201

7,899,504 B2 * 3/2011 Impio H04M 1/0247
 455/550.1
 D635,536 S * 4/2011 Xiao D14/138 AA
 D638,015 S * 5/2011 Chong D14/336
 D641,333 S * 7/2011 Lee D14/138 AA
 D641,346 S * 7/2011 Fathollahi D14/250
 D654,931 S * 2/2012 Lemelman D14/496
 D655,699 S * 3/2012 Bau D14/250
 D656,494 S * 3/2012 Bau D14/250
 D662,932 S * 7/2012 Park D14/341
 8,245,843 B1 * 8/2012 Wu H01M 10/465
 150/165
 D674,801 S * 1/2013 Wharram D13/102
 D685,776 S * 7/2013 Bau D14/250
 D698,341 S * 1/2014 Lee D14/248
 D714,784 S * 10/2014 Park D14/341
 D719,145 S * 12/2014 Barfoot D14/250
 D726,169 S * 4/2015 Powell D14/250
 2010/0089779 A1 * 4/2010 Bowers A45C 7/0095
 206/320

* cited by examiner

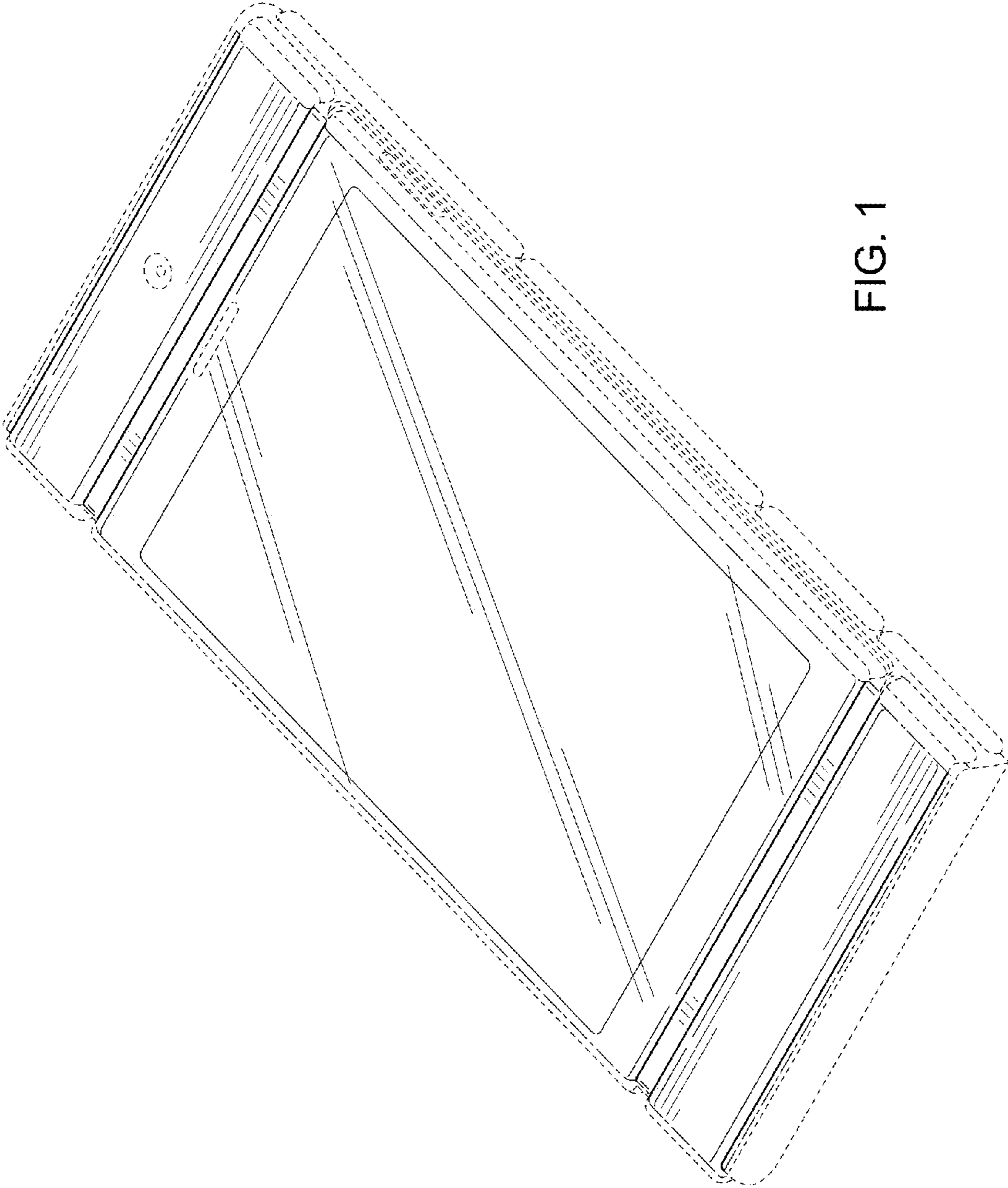


FIG. 1

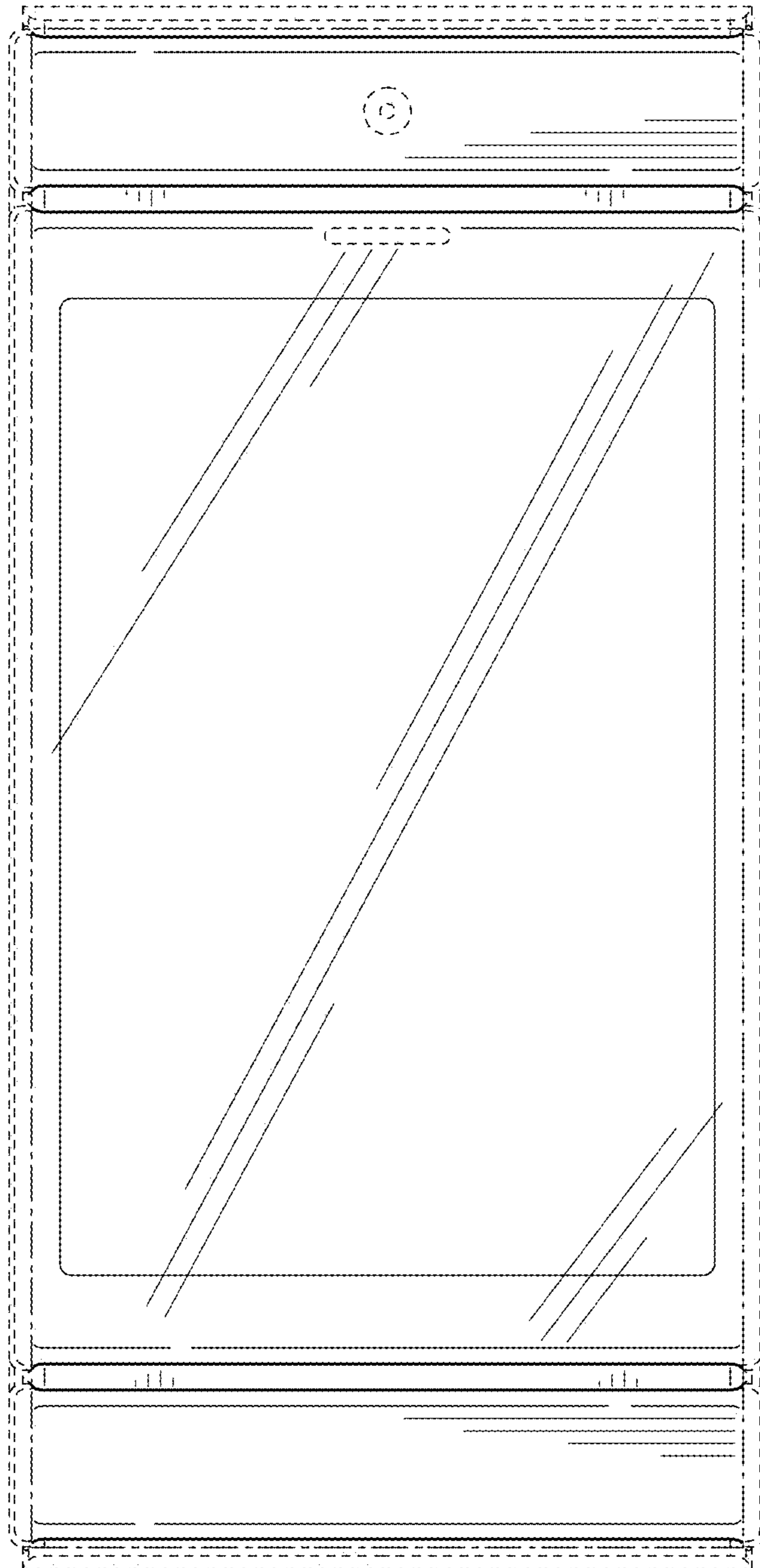


FIG. 2

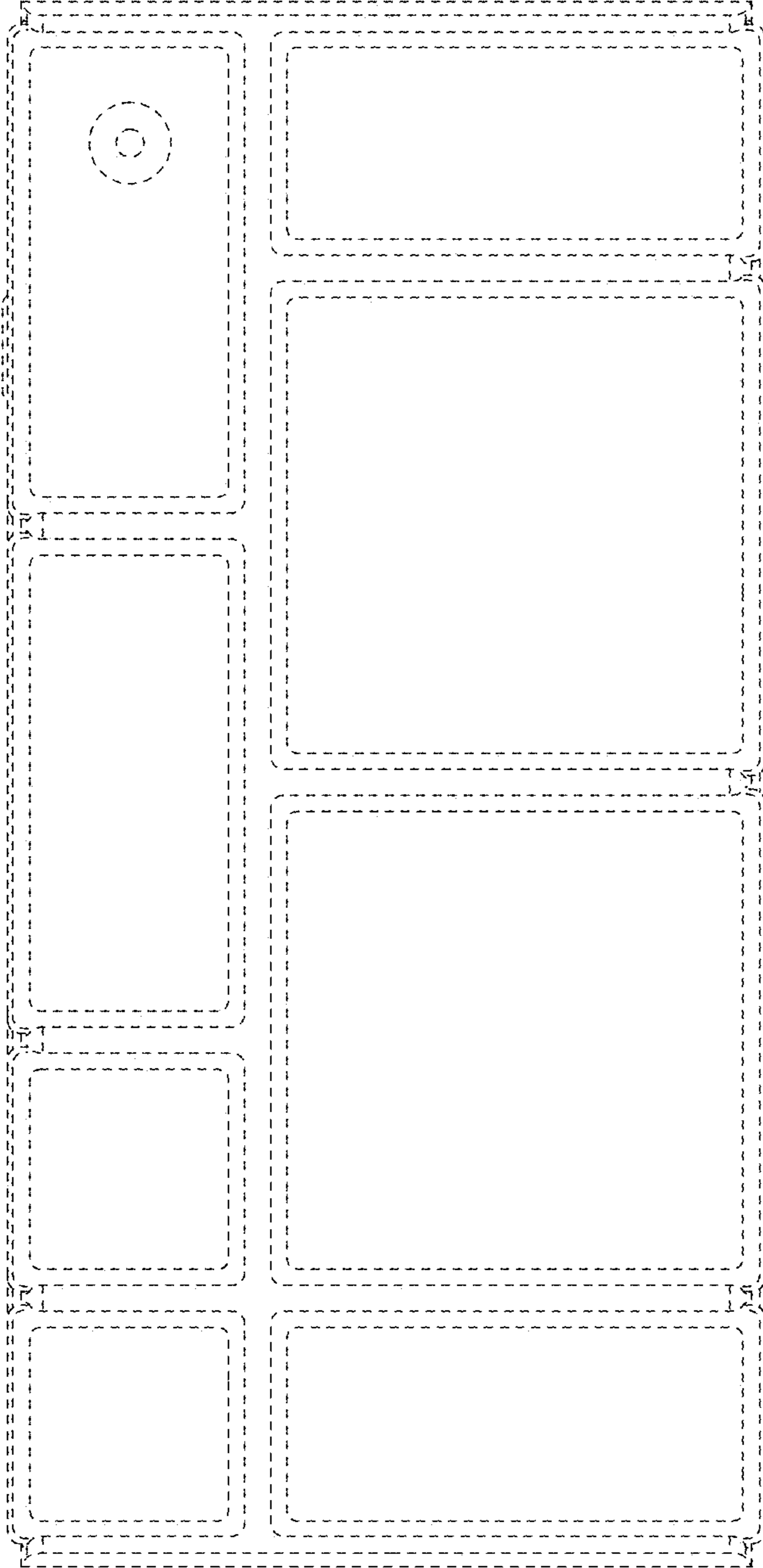


FIG. 3

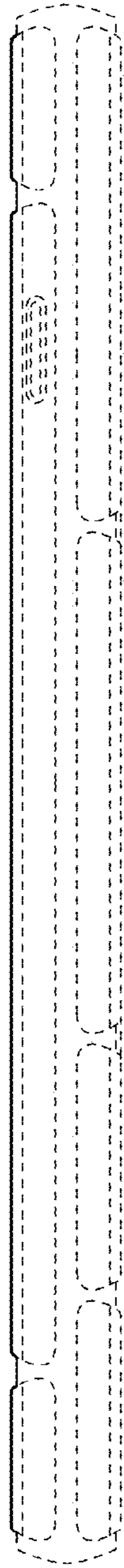


FIG. 4

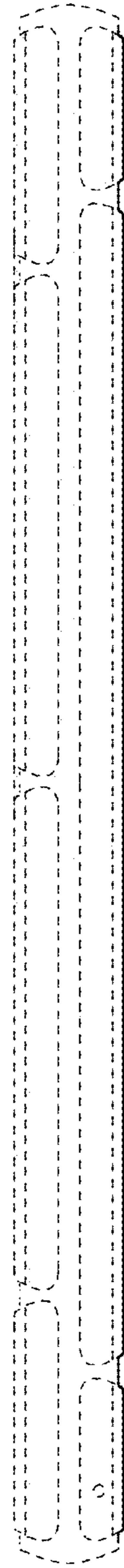


FIG. 5



FIG. 6

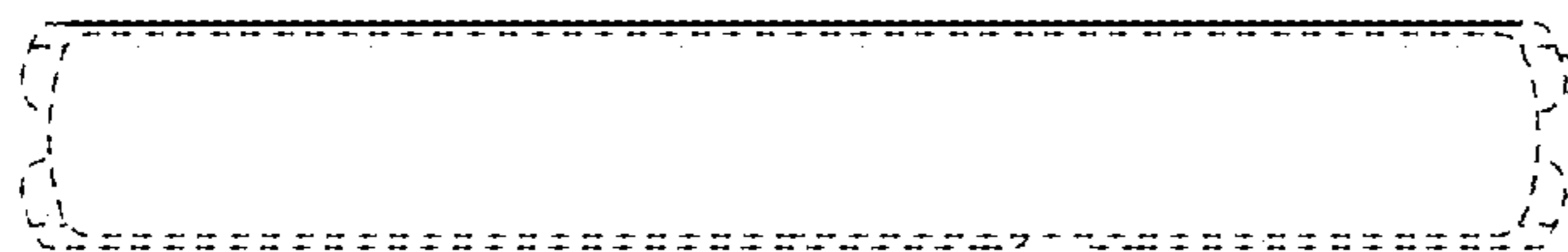


FIG. 7

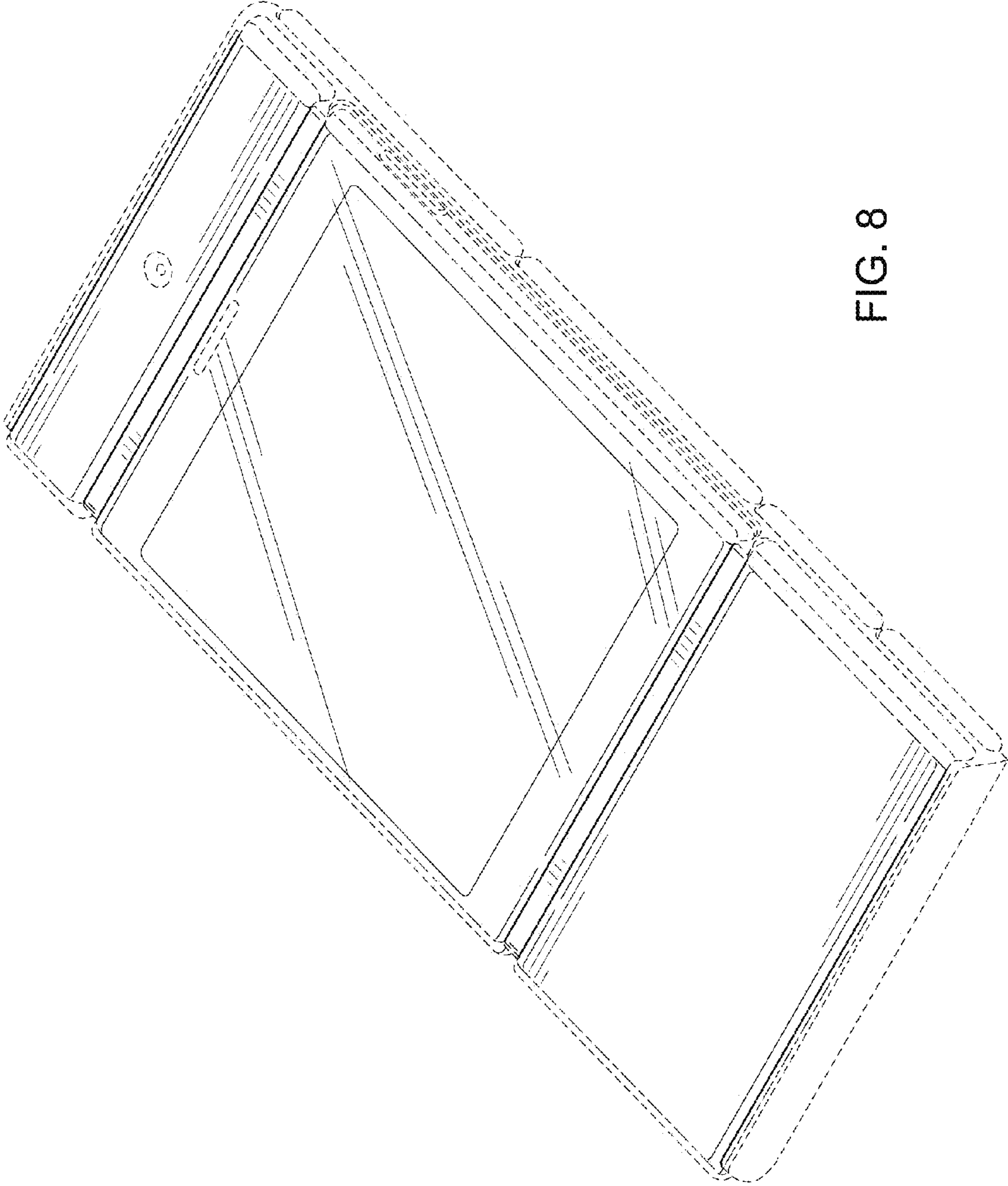


FIG. 8

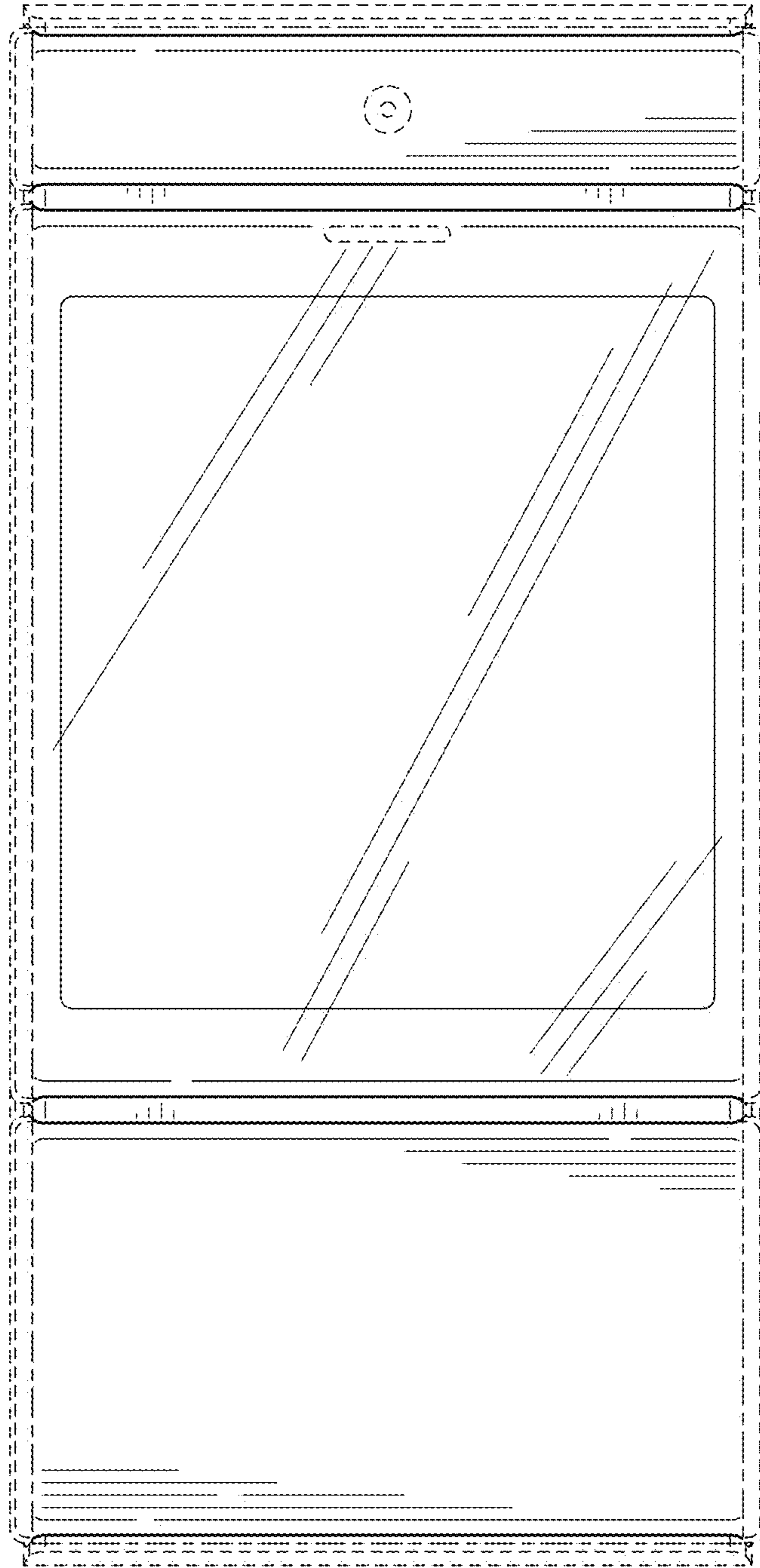


FIG. 9

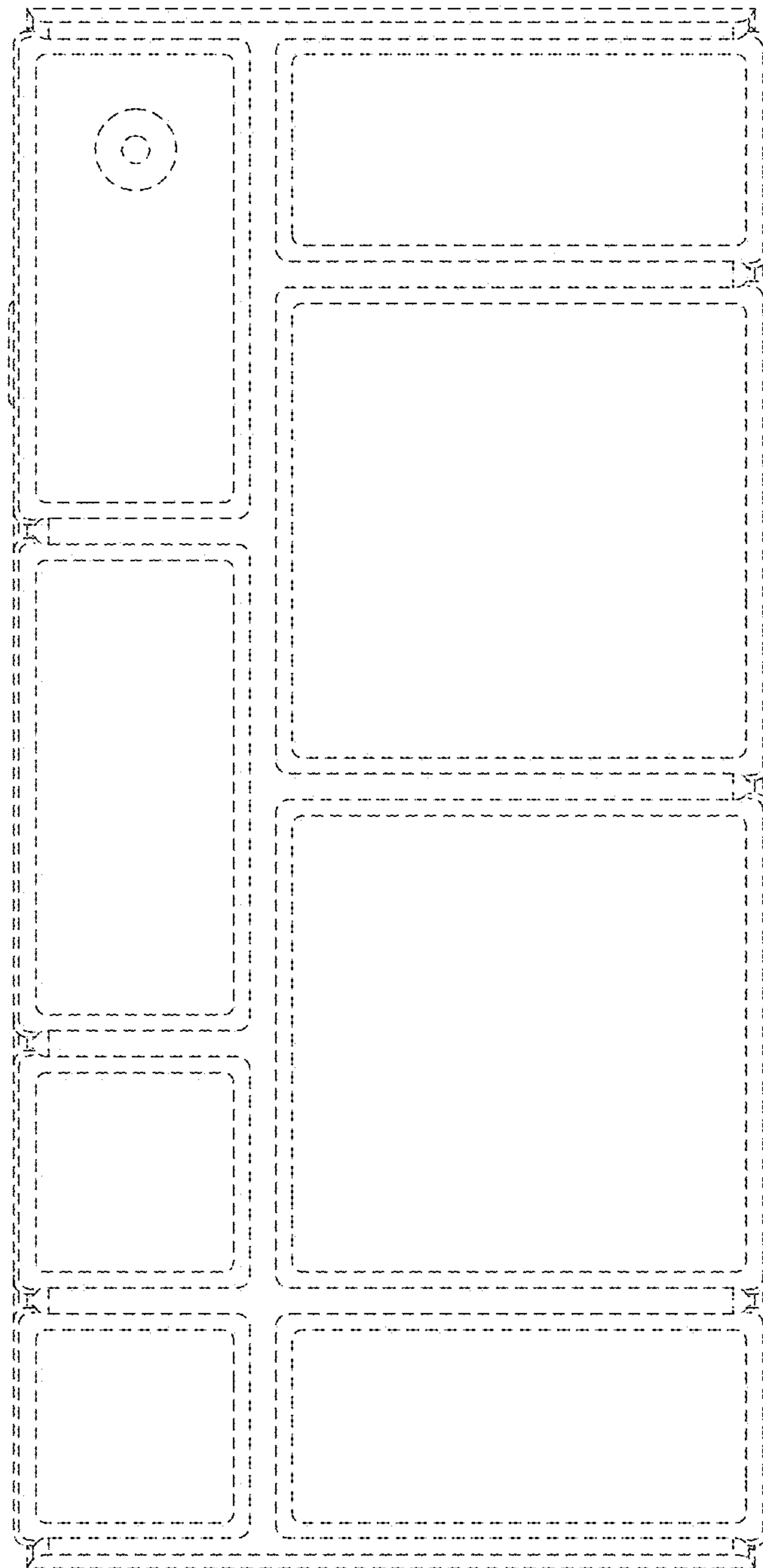


FIG. 10

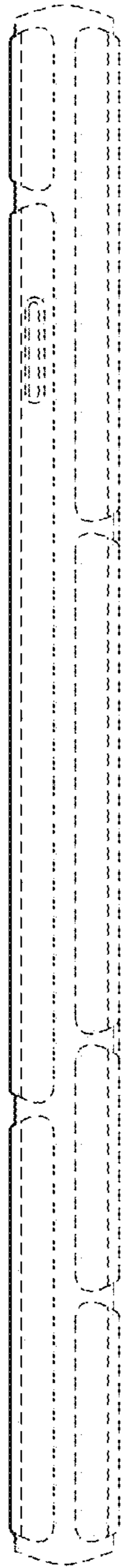


FIG. 11

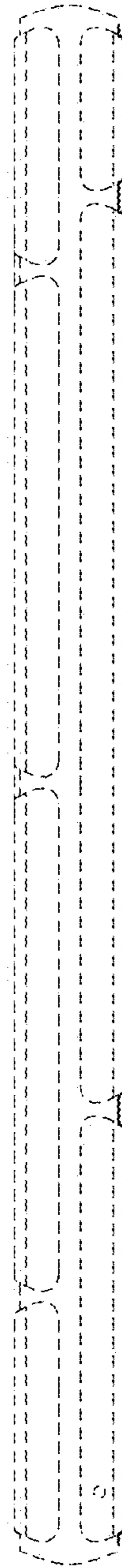


FIG. 12



FIG. 13

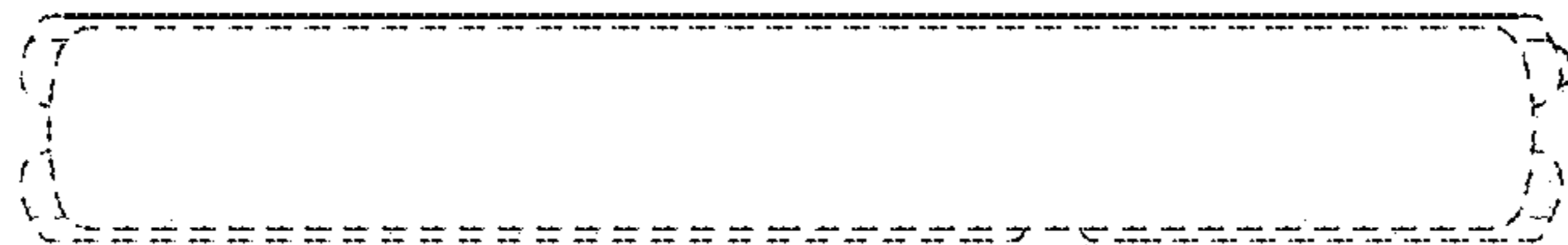


FIG. 14