



US00D763239S

(12) **United States Design Patent**
Chan et al.

(10) **Patent No.:** **US D763,239 S**
(45) **Date of Patent:** **** Aug. 9, 2016**

(54) **PHONE CASE**

(71) Applicant: **ZeroLemon LLC**, Cheyenne, WY (US)

(72) Inventors: **Stephen Ching Yat Chan**, Hong Kong (HK); **Wei Chen**, Shenzhen (CN)

(73) Assignee: **ZEROLEMON LLC**, Cheyenne, WY (US)

(**) Term: **14 Years**

(21) Appl. No.: **29/480,821**

(22) Filed: **Jan. 29, 2014**

(51) **LOC (10) Cl.** **14-03**

(52) **U.S. Cl.**
USPC **D14/250**

(58) **Field of Classification Search**
USPC D14/250–253, 440, 203.3–203.7, 217, D14/496, 248, 238.1, 240, 447, 230, 247, D14/341, 345, 346, 439; D3/201, 218, 269, D3/301, 273, 303; D13/103, 107–108; 220/4.02; 248/309.1; 361/679.56; 379/426, 433.11, 455; 455/575.1, 455/575.8; 190/100; 206/305, 320
CPC A45C 2011/002; A45C 11/00; A45C 13/002; A45C 2011/003; H04M 1/0283; H04M 1/0202; H04M 1/185; H04B 1/3888
See application file for complete search history.

(56) **References Cited**

U.S. PATENT DOCUMENTS

7,301,759 B2 * 11/2007 Hsiung H05K 5/0234 248/188
D613,282 S * 4/2010 Richardson D14/250
D623,179 S * 9/2010 Richardson D14/250
D636,386 S * 4/2011 Richardson D14/250
D641,013 S * 7/2011 Richardson D14/250
D663,294 S * 7/2012 Buxton D14/250
D677,251 S 3/2013 Melanson et al.
D679,271 S * 4/2013 Liu D13/103

D683,338 S * 5/2013 Wilson D14/250
D696,234 S * 12/2013 Wright D14/250
D697,504 S * 1/2014 Yang D14/250
D703,652 S * 4/2014 Melanson D14/250
D704,182 S * 5/2014 Smith D14/250
D705,768 S * 5/2014 Melanson D14/250
D706,253 S * 6/2014 Simmer D14/250
D706,254 S * 6/2014 Chang D14/217
D709,059 S * 7/2014 Kim D14/250
D709,060 S * 7/2014 Melanson D14/250
D709,062 S * 7/2014 Melanson D14/250
D710,344 S * 8/2014 Smith D14/250
D710,345 S * 8/2014 Chang D14/250
D710,839 S * 8/2014 Chang D14/250
D714,771 S * 10/2014 Rayner D14/250
D729,785 S * 5/2015 Magness D14/250
2011/0164358 A1 * 7/2011 Duan H05K 5/0234 361/679.01

* cited by examiner

Primary Examiner — Carla Jobe Wright

Assistant Examiner — Holly E Thurman

(74) *Attorney, Agent, or Firm* — Rabin & Berdo, P.C.

(57) **CLAIM**

The ornamental design for a phone case, as shown and described.

DESCRIPTION

FIG. 1 is a front perspective view of a phone case showing our new design;

FIG. 2 is a rear perspective view thereof showing the movable stand in a first position, with a second position shown in broken lines;

FIG. 3 is a front view thereof;

FIG. 4 is a rear side view thereof;

FIG. 5 is a left side view thereof;

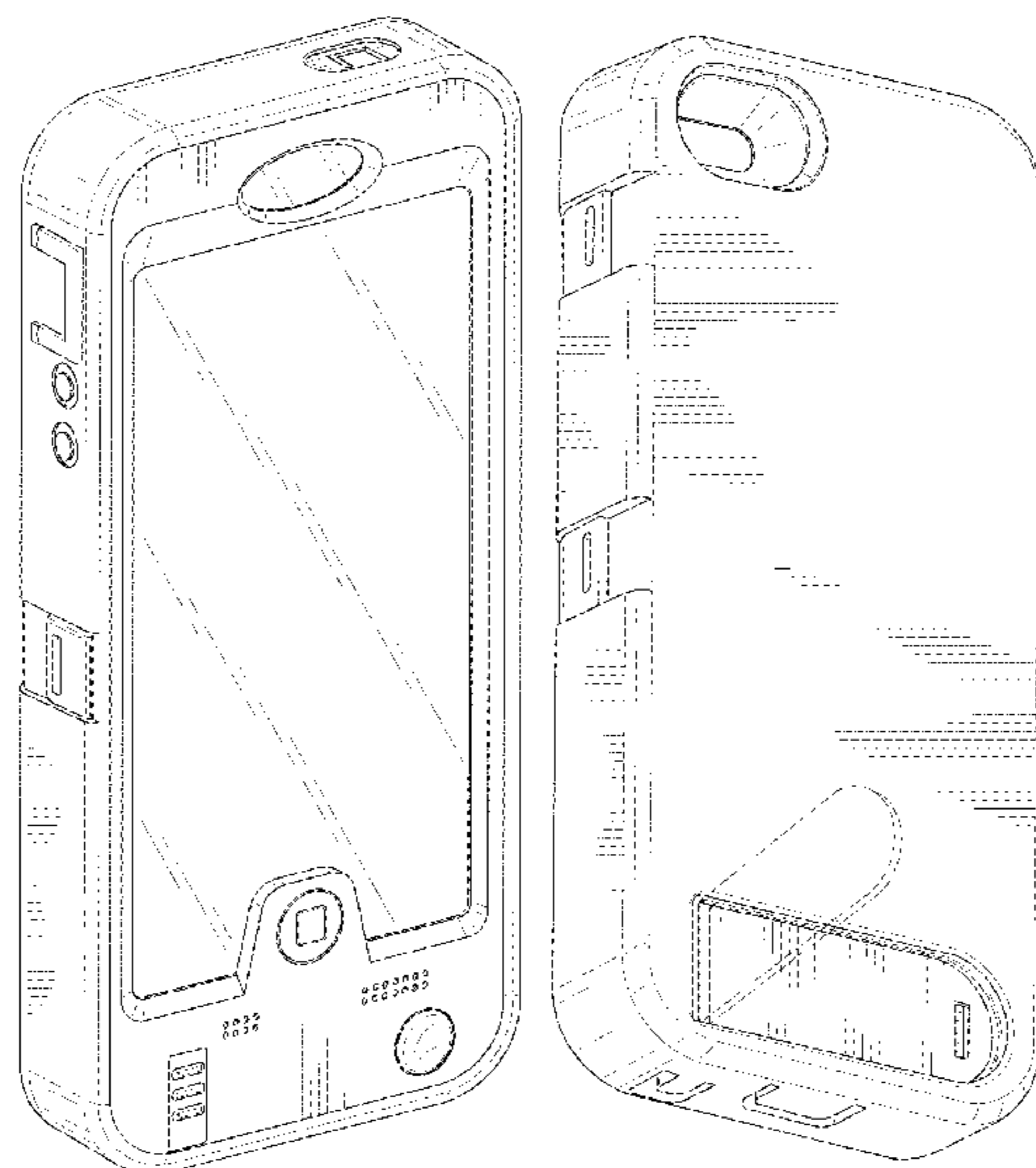
FIG. 6 is a right side view thereof;

FIG. 7 is a bottom view thereof; and,

FIG. 8 is a top view thereof.

The feature shown in broken lines in FIG. 2 is to illustrate the movability of the stand.

1 Claim, 6 Drawing Sheets



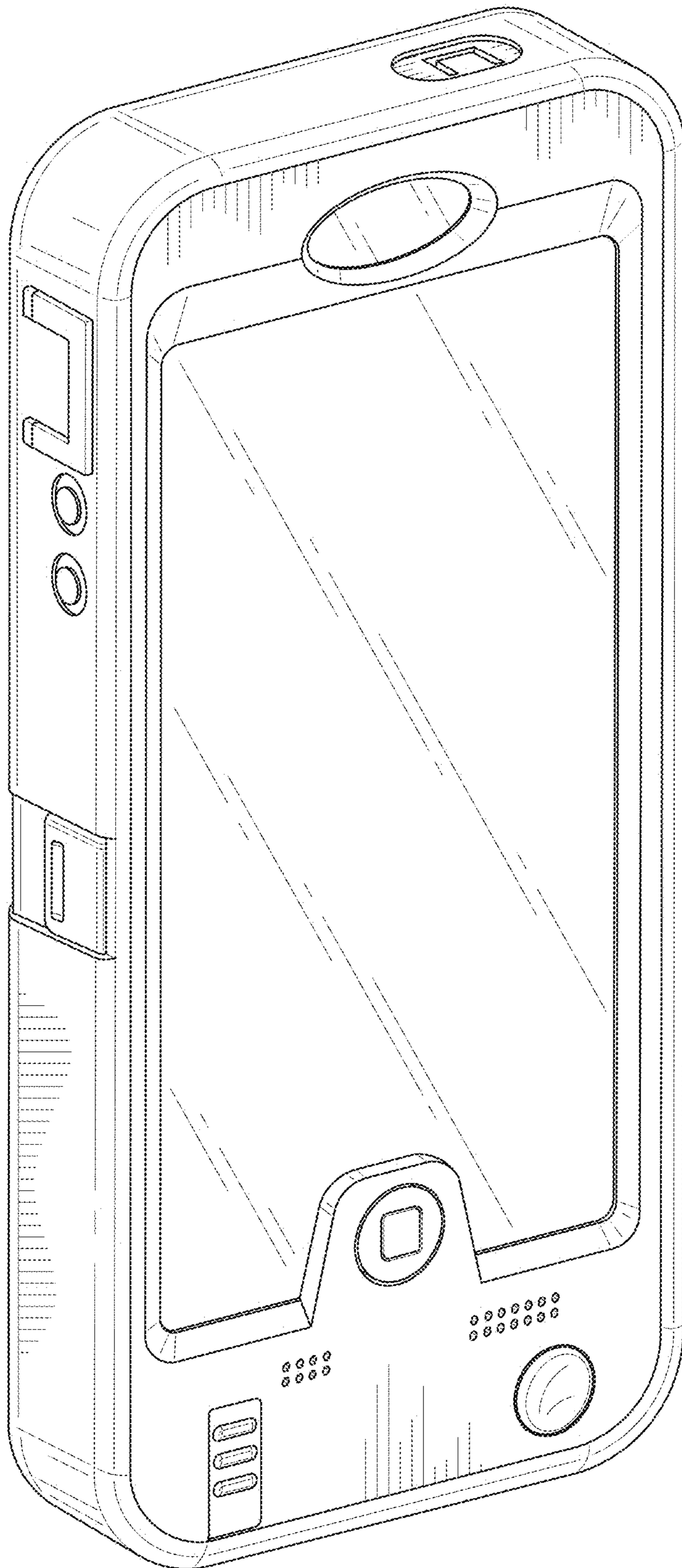


FIG. 1

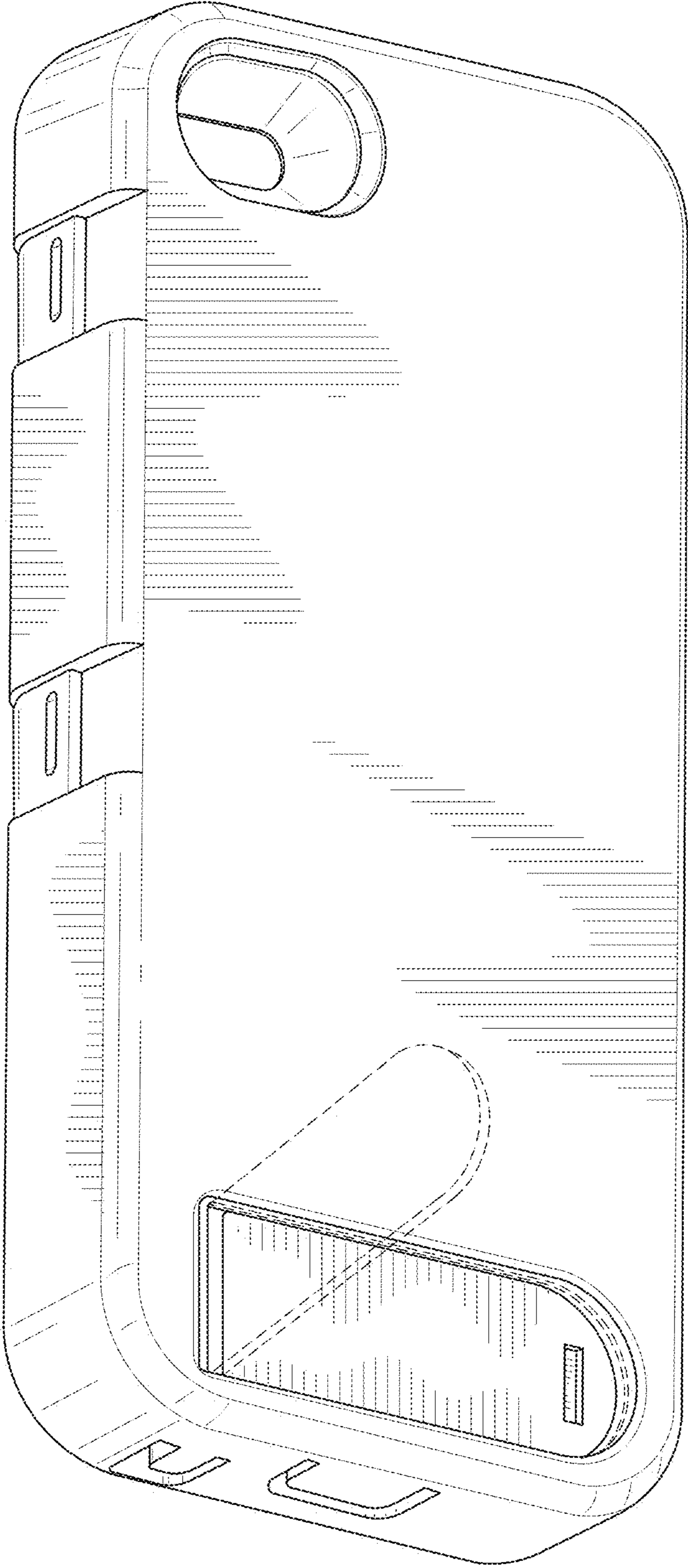


FIG. 2

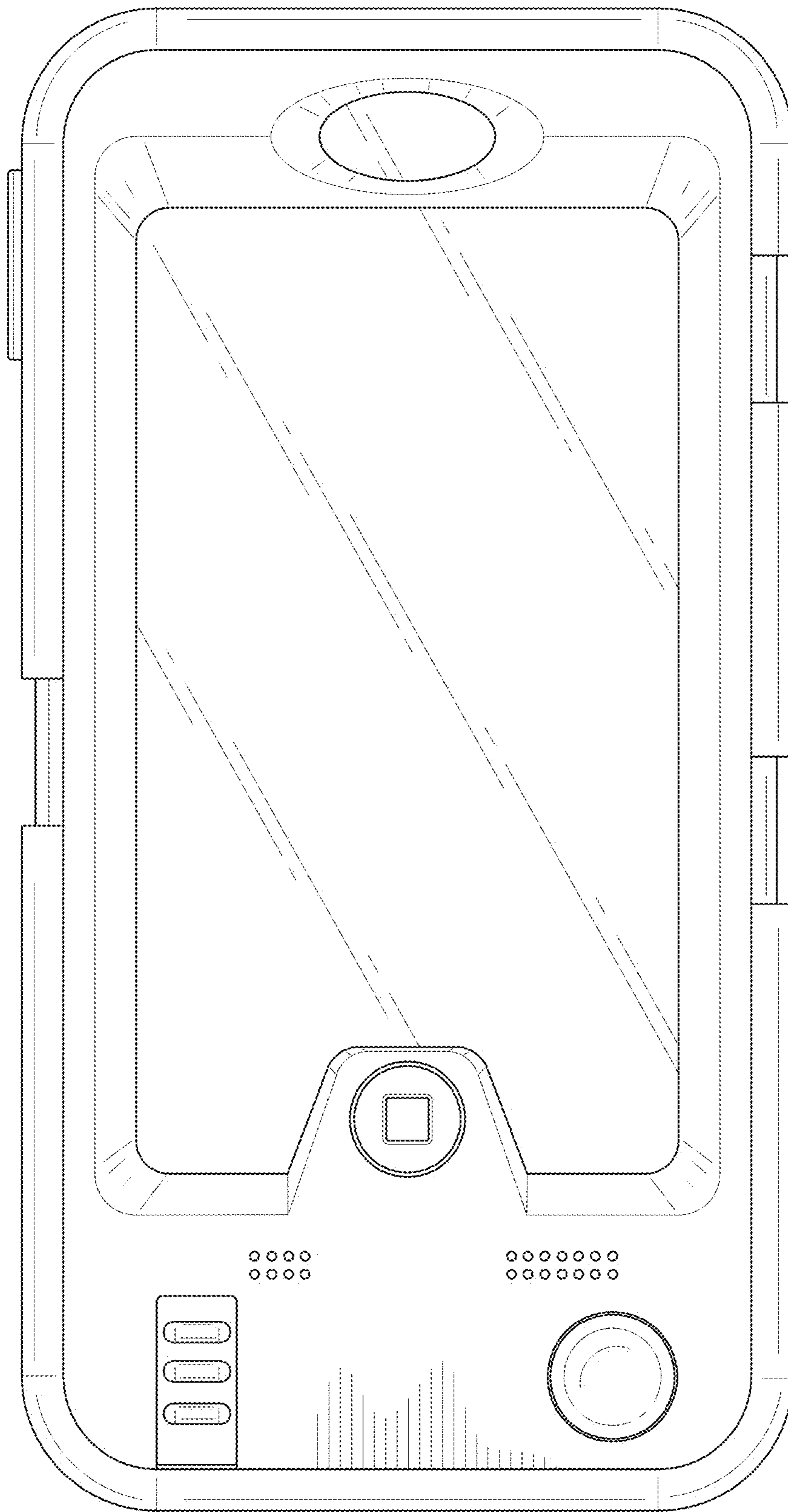


FIG. 3

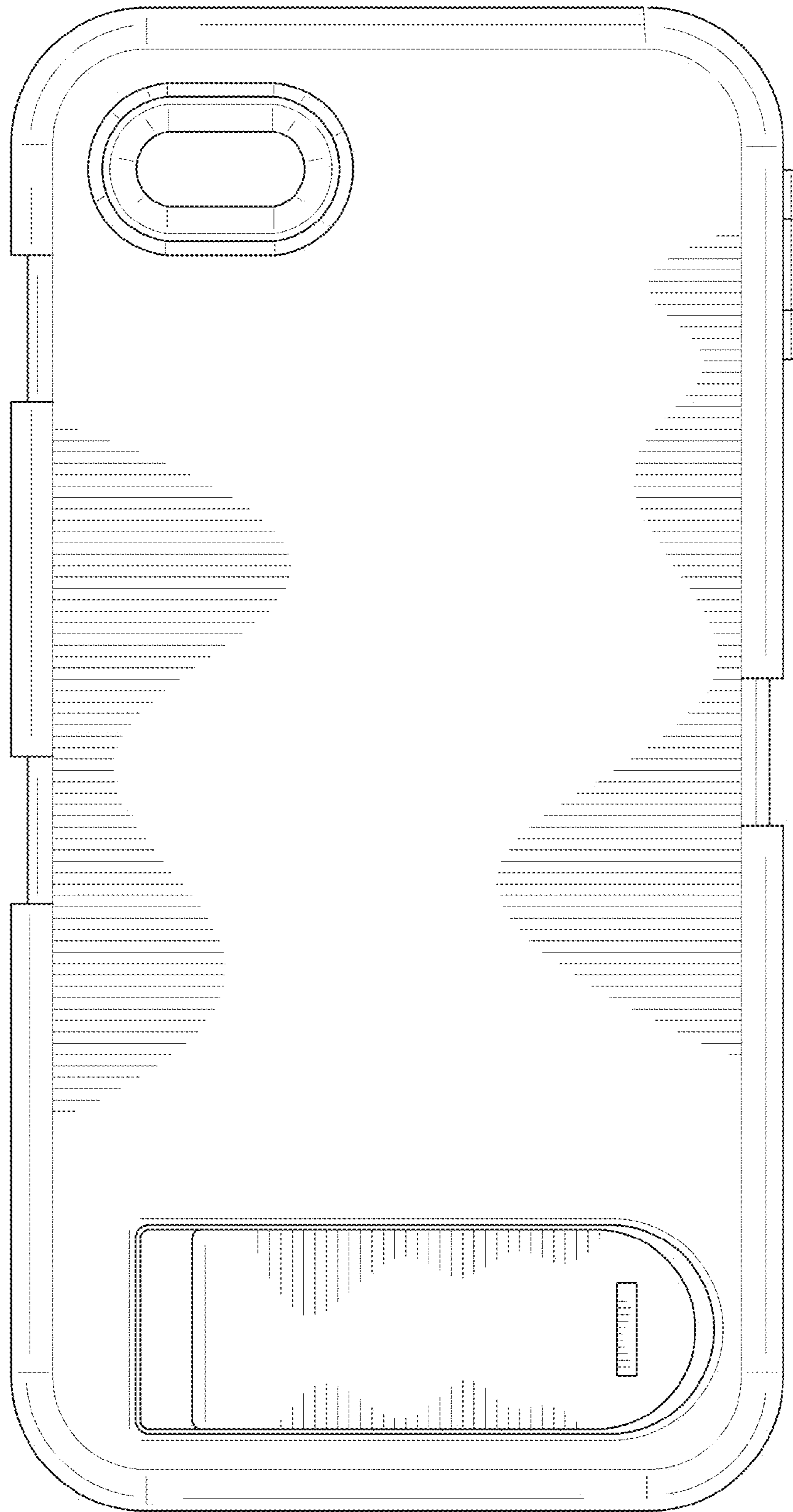


FIG. 4

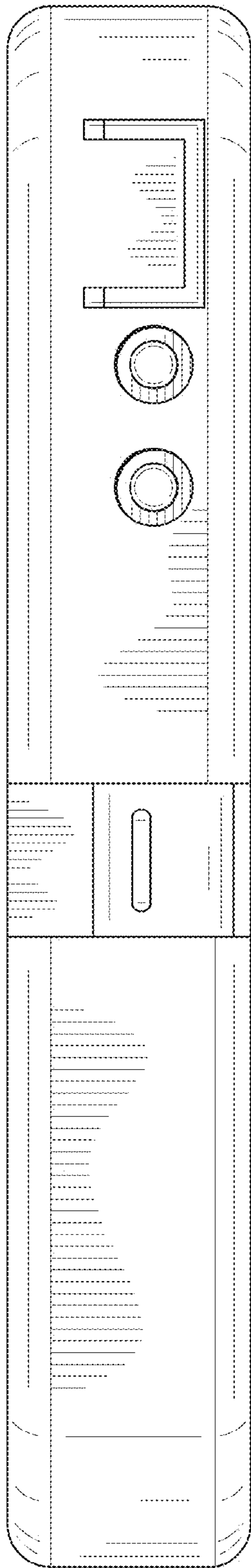


FIG. 5

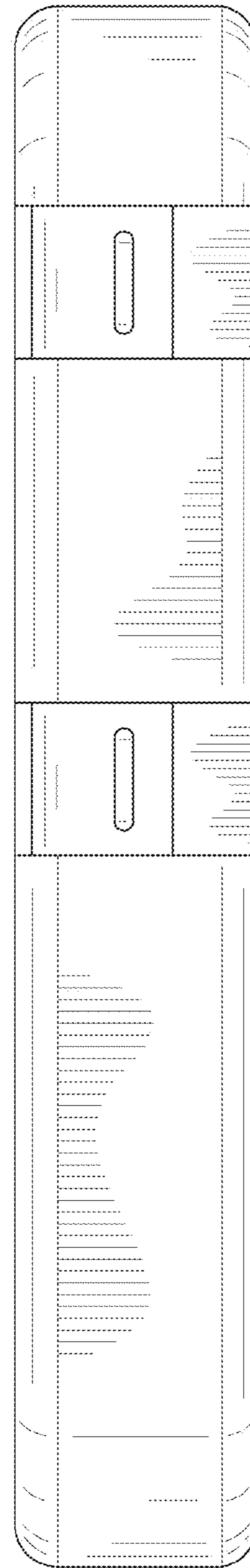


FIG. 6

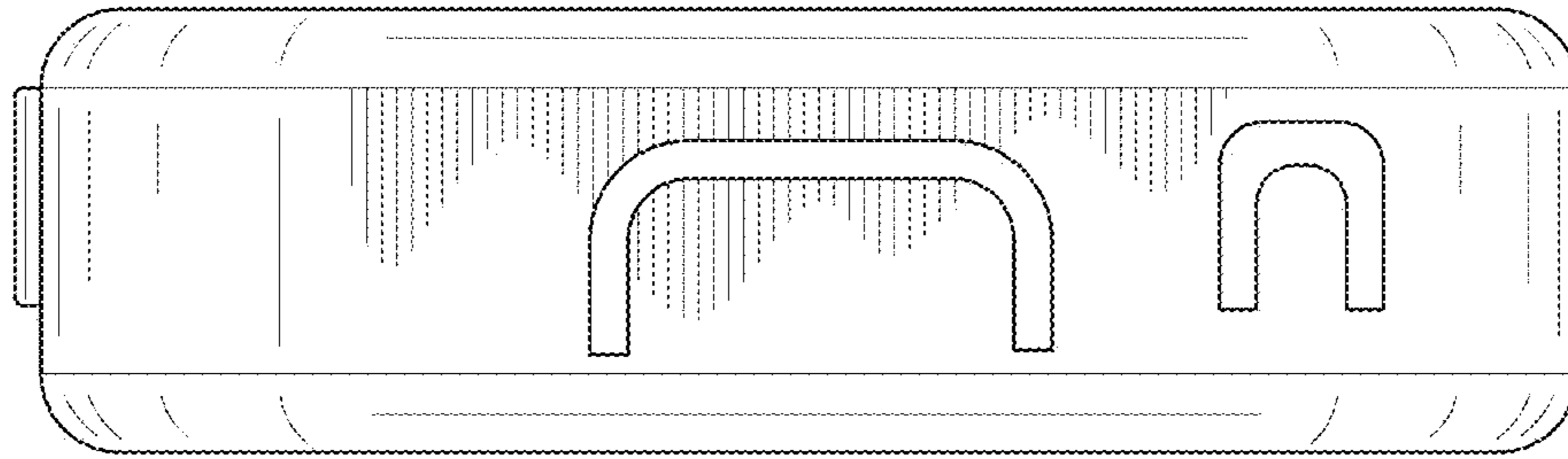


FIG. 7

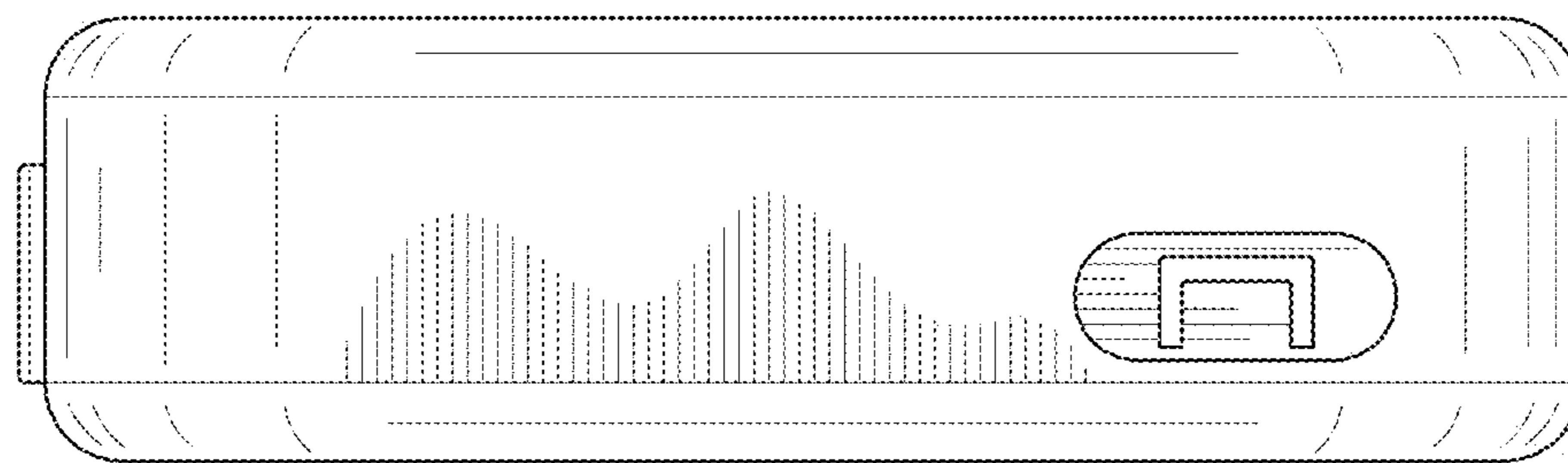


FIG. 8