



US00D763238S

(12) **United States Design Patent**  
**Kim et al.**

(10) **Patent No.:** **US D763,238 S**

(45) **Date of Patent:** **\*\* Aug. 9, 2016**

(54) **SPEAKER FOR TELEVISION RECEIVER**  
(71) Applicant: **LG ELECTRONICS INC.**, Seoul (KR)  
(72) Inventors: **Hyungyuel Kim**, Seoul (KR); **Junki Kim**, Seoul (KR); **Seonkyu Kim**, Seoul (KR)  
(73) Assignee: **LG ELECTRONICS INC.**, Seoul (KR)  
(\*\*) Term: **15 Years**  
(21) Appl. No.: **29/531,584**

(56) **References Cited**  
U.S. PATENT DOCUMENTS  
D540,310 S \* 4/2007 Yuyama ..... D14/214  
D629,372 S \* 12/2010 Lim ..... D14/126  
D643,002 S \* 8/2011 Choi ..... D14/126  
D646,242 S \* 10/2011 Honda ..... D14/126  
D655,690 S \* 3/2012 Yagi ..... D14/214  
D672,749 S \* 12/2012 Onoue ..... D14/214  
D688,231 S \* 8/2013 Nishii ..... D14/214  
D711,852 S \* 8/2014 Mackiewicz ..... D14/214  
D715,769 S \* 10/2014 McManigal ..... D14/214  
D716,756 S \* 11/2014 Kim ..... D14/204  
D718,738 S \* 12/2014 Michael ..... D14/214  
D728,498 S \* 5/2015 Park ..... D14/126  
D728,499 S \* 5/2015 Park ..... D14/126

\* cited by examiner

*Primary Examiner* — Randall Gholson  
(74) *Attorney, Agent, or Firm* — Birch, Stewart, Kolasch & Birch, LLP

(22) Filed: **Jun. 26, 2015**  
(30) **Foreign Application Priority Data**  
Dec. 29, 2014 (KR) ..... 30-2014-0063825  
(51) **LOC (10) Cl.** ..... **14-03**  
(52) **U.S. Cl.**  
USPC ..... **D14/239**; D14/126  
(58) **Field of Classification Search**  
USPC ..... D14/125–134, 239, 371, 136, 374–377,  
D14/440, 450, 448, 336, 342, 159; 312/7.2;  
348/836, 838, 180, 184, 325, 739;  
248/917–924, 465; 345/104, 133, 156,  
345/168, 87, 173; D21/329, 515, 577, 622,  
D21/333, 433, 448, 452, 450, 331, 505;  
D10/15, 26; 446/484, 175, 356;  
D6/477, 479, 300; D24/185; D34/14  
CPC ... G06F 1/1601; G06F 1/1643; H05K 5/0004;  
H05K 5/0017; H05K 5/02; H05K 5/0217  
See application file for complete search history.

(57) **CLAIM**  
We claim the ornamental design for a speaker for television receiver, as shown and described.

**DESCRIPTION**

FIG. 1 is a perspective view of a speaker for television receiver showing our new design;  
FIG. 2 is a front elevation view thereof;  
FIG. 3 is a rear elevation view thereof;  
FIG. 4 is a left-side elevation view thereof;  
FIG. 5 is a right-side elevation view thereof;  
FIG. 6 is a top plan view thereof; and,  
FIG. 7 is a bottom plan view thereof.  
The broken lines in the drawing figures are included for the purpose of illustrating environment and form no part of the claimed design.

**1 Claim, 4 Drawing Sheets**

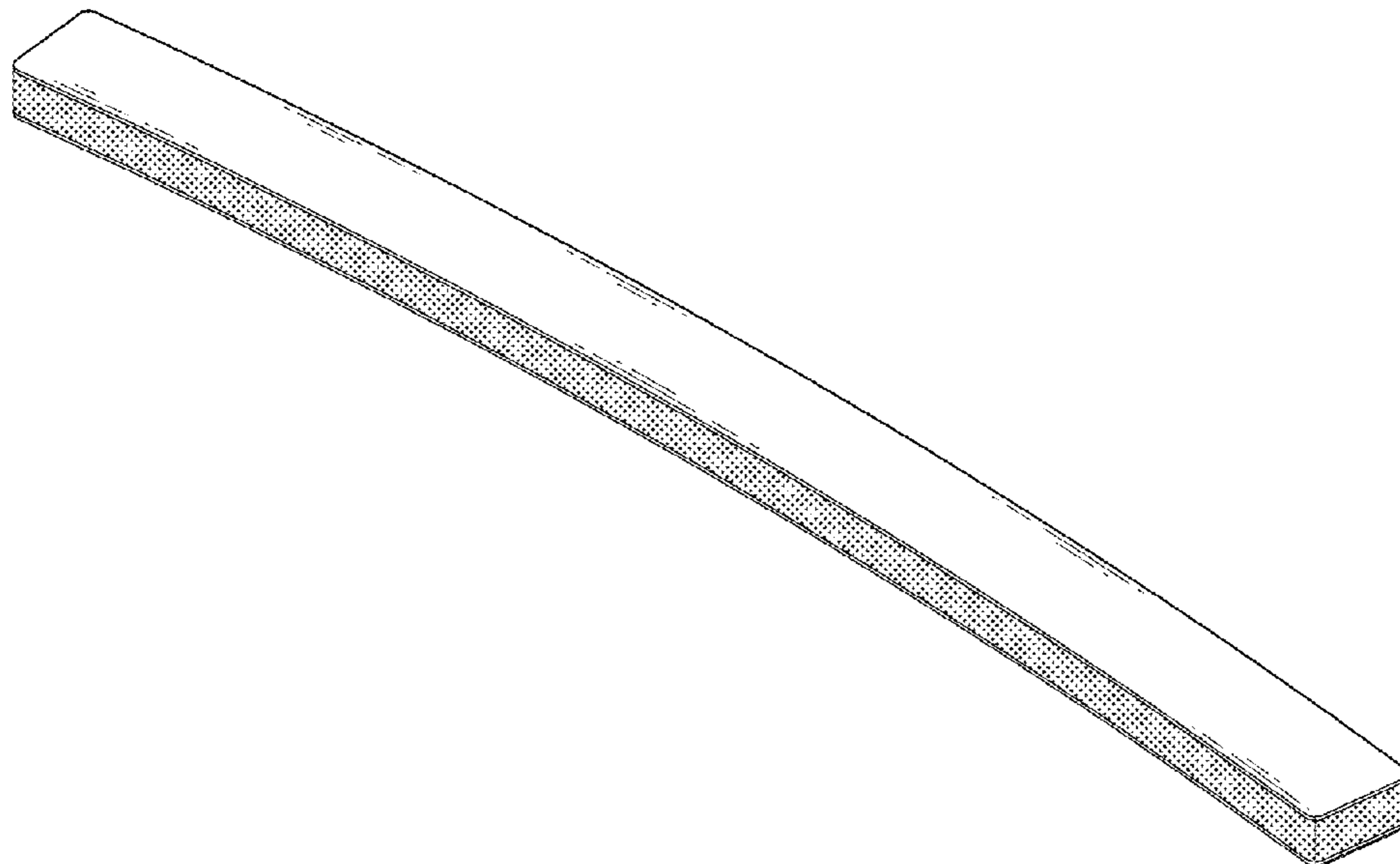


FIG. 1

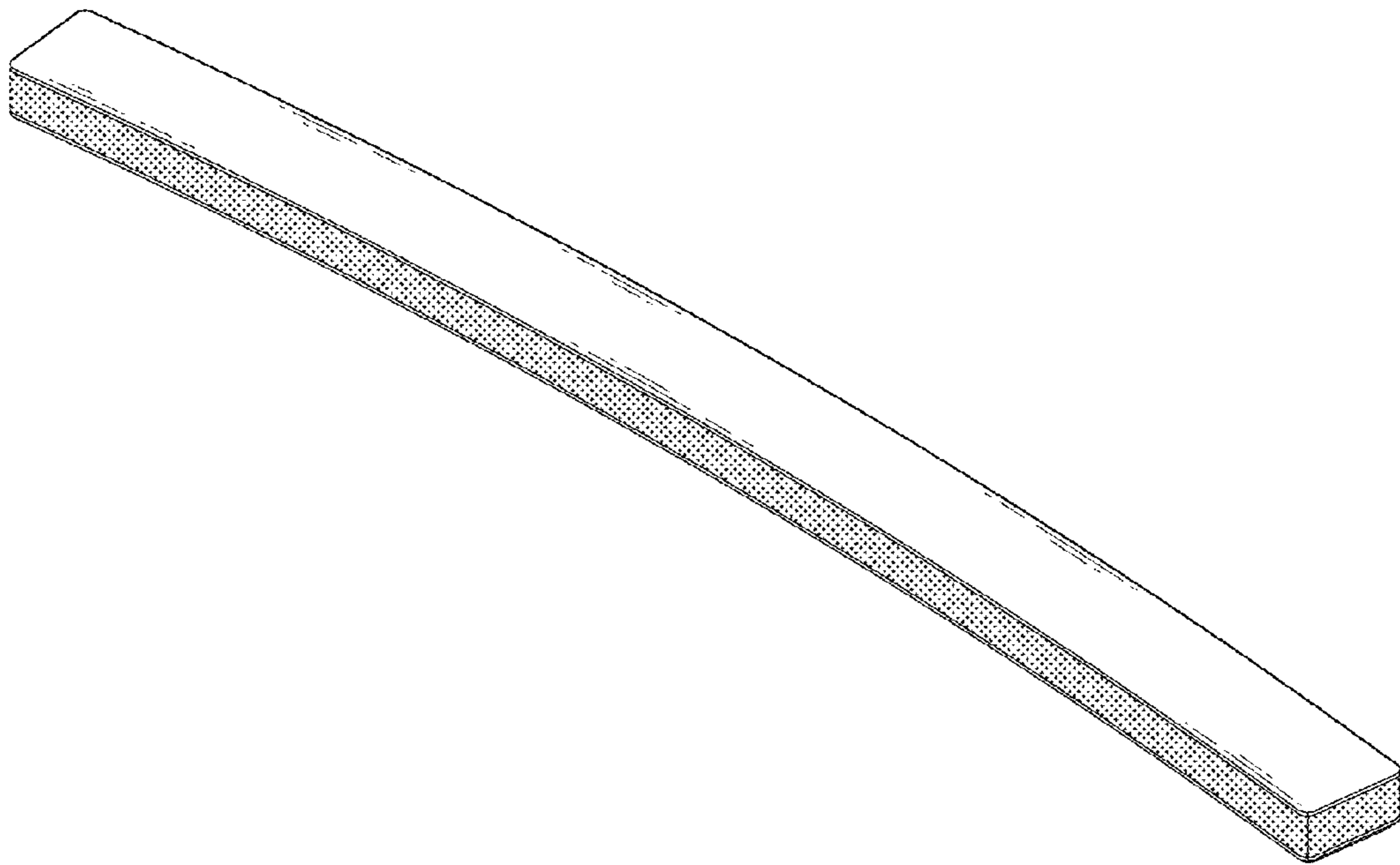


FIG. 2

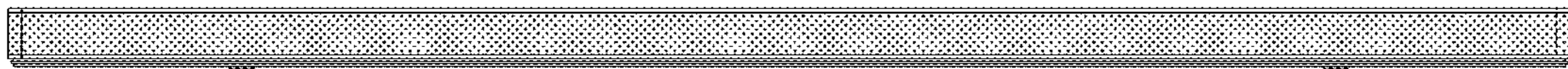


FIG. 3

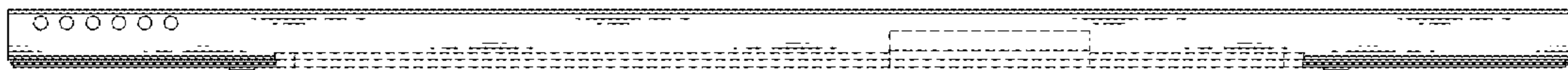


FIG. 4

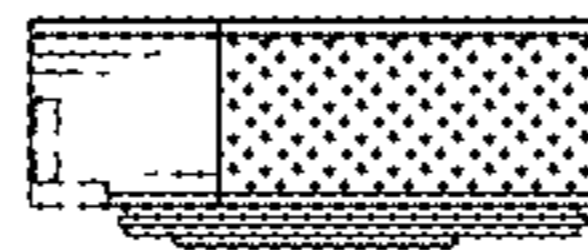


FIG. 5

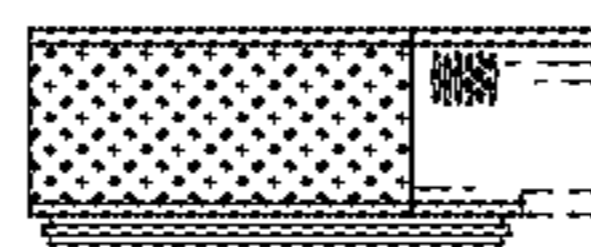


FIG.6

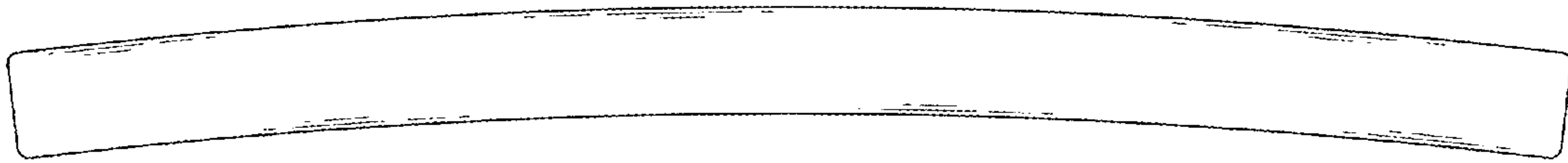


FIG.7

