

US00D763236S

(12) **United States Design Patent**
Lam et al.

(10) **Patent No.:** **US D763,236 S**
(45) **Date of Patent:** **** Aug. 9, 2016**

(54) **MOUNTING ASSEMBLY FOR USE IN
MOUNTING AUDIO/VISUAL DEVICES OR
THE LIKE**

D598,458 S * 8/2009 Li D14/451
7,722,002 B2 5/2010 O'Keene et al.
D624,061 S 9/2010 Smith et al.
D627,787 S * 11/2010 Grey D14/239

(71) Applicant: **Peerless Industries, Inc.**, Aurora, IL
(US)

(Continued)

Primary Examiner — Randall Gholson

(72) Inventors: **Derrick Lam**, Cicero, IL (US);
Christopher Brown, Lombard, IL (US)

(74) *Attorney, Agent, or Firm* — Foley & Lardner LLP

(73) Assignee: **Peerless Industries, Inc.**, Aurora, IL
(US)

(57) **CLAIM**

We claim the ornamental design for a mounting assembly for use in mounting audio/visual devices or the like, as shown and described.

(**) Term: **14 Years**

DESCRIPTION

(21) Appl. No.: **29/520,052**

FIG. 1 is a top, front, right perspective view of an embodiment of the claimed design;

(22) Filed: **Mar. 10, 2015**

FIG. 2 is a front elevation view thereof;

(51) **LOC (10) Cl.** **14-03**

FIG. 3 is a rear elevation view thereof;

(52) **U.S. Cl.**

FIG. 4 is a top plan view thereof;

USPC **D14/239**

FIG. 5 is a bottom plan view thereof;

(58) **Field of Classification Search**

FIG. 6 is a left side elevation view thereof;

USPC D14/239, 371, 136, 374-377; D8/363,

FIG. 7 is a right side elevation view thereof;

D8/373, 349, 394; 248/465, 917-924,

FIG. 8 is a top, front, right perspective view of another embodiment of the claimed design;

248/123.11; 348/825, 827, 836, 837, 838,

FIG. 9 is a front elevation view thereof;

348/180, 184, 325, 739; 600/443;

FIG. 10 is a rear elevation view thereof;

D6/477-479, 407, 474, 460, 461, 468;

FIG. 11 is a top plan view thereof;

312/7.2; 341/12; 345/87, 104, 133,

FIG. 12 is a bottom plan view thereof;

345/156, 168, 169, 173; 720/605, 669, 600,

FIG. 13 is a left side elevation view thereof; and,

720/655; 369/99, 197; 455/344-347; 349/1,

FIG. 14 is a right side elevation view thereof.

349/2, 11, 62; 108/59, 91, 92, 96; 211/40,

The ornamental design which is claimed is shown in solid lines in the drawings. The broken lines formed by dashes show unclaimed subject matter and form no part of the claimed design. The broken away symbols in the drawings indicate the appearance of any portion of the article between the break lines that forms no part of the claimed design. Included herewith is an appendix including drawings according to the present invention using drafting techniques to comply with foreign practice and to provide support for foreign filing.

211/41.12, 42, 49.1, 50, 85.2, 90.04, 187,

211/190, 119.003, 134.153, 87.01, 71.01

CPC A47B 43/00; G03B 1/00

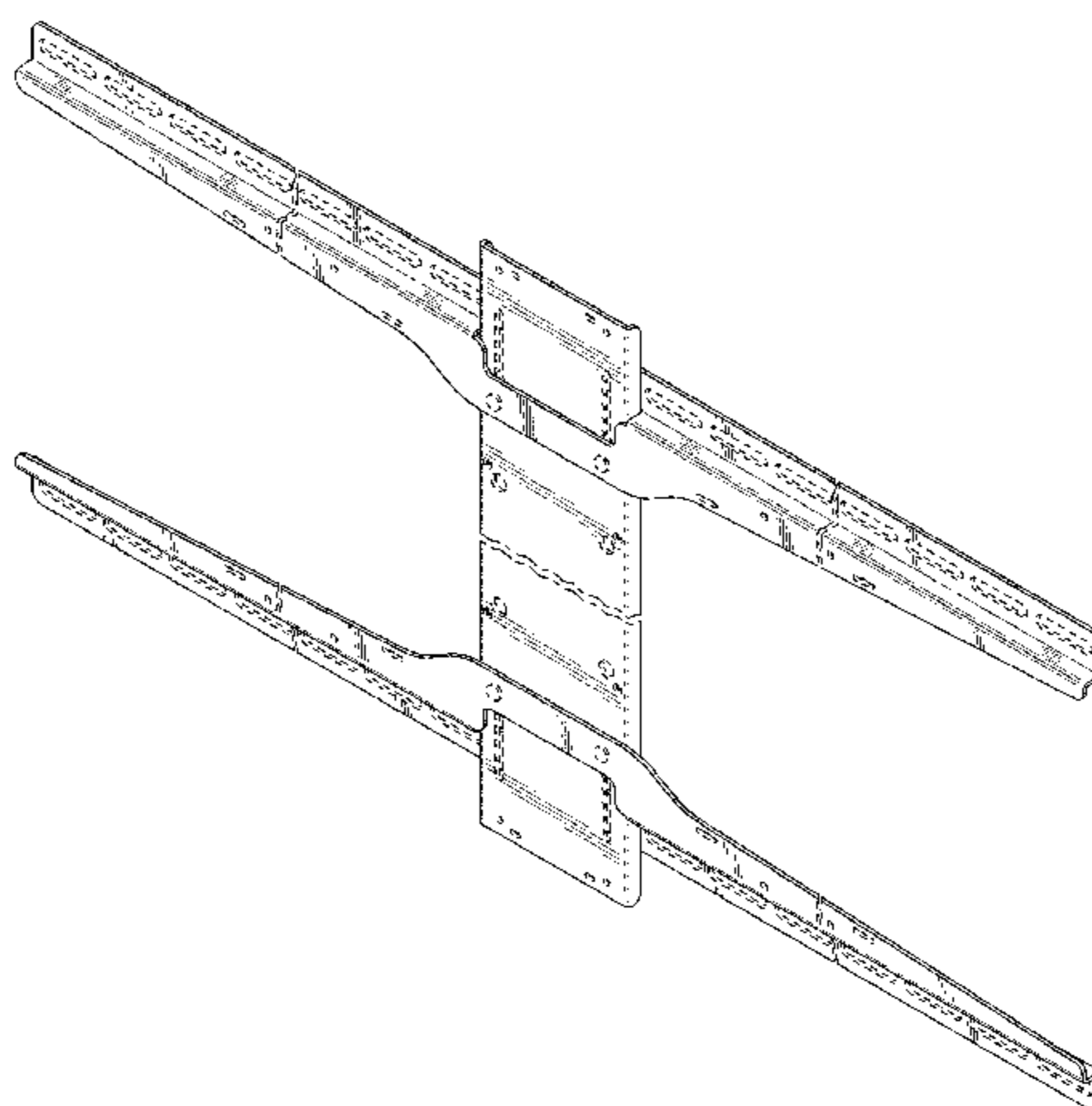
See application file for complete search history.

(56) **References Cited**

U.S. PATENT DOCUMENTS

D530,595 S 10/2006 Lam et al.
7,152,836 B2 12/2006 Pfister et al.
D539,566 S 4/2007 Anderson et al.
D593,080 S * 5/2009 Russell D14/239
D595,277 S 6/2009 Bremmon et al.

1 Claim, 8 Drawing Sheets



(56)

References Cited

U.S. PATENT DOCUMENTS

7,823,850 B1	11/2010	Lam et al.	D643,421 S	8/2011	Russell et al.
D631,875 S	2/2011	Skull et al.	8,128,049 B2	3/2012	Walters
7,963,489 B2	6/2011	O'Keene et al.	8,154,885 B2 *	4/2012	Anderson F16M 13/02 248/917
D641,369 S *	7/2011	Skull D14/452	D703,643 S *	4/2014	Badillo D14/247
			2012/0261362 A1	10/2012	Skull et al.

* cited by examiner

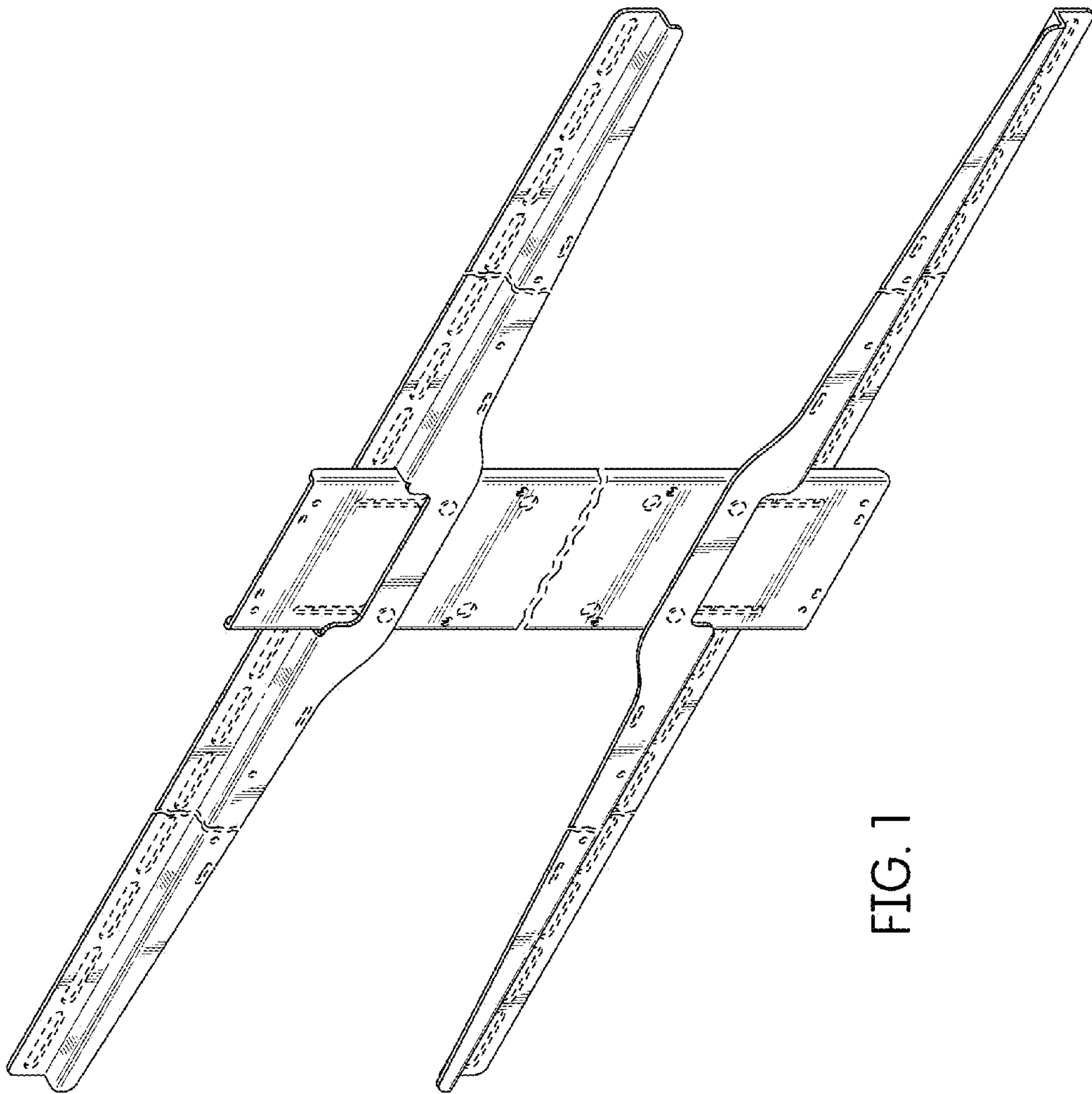


FIG. 1

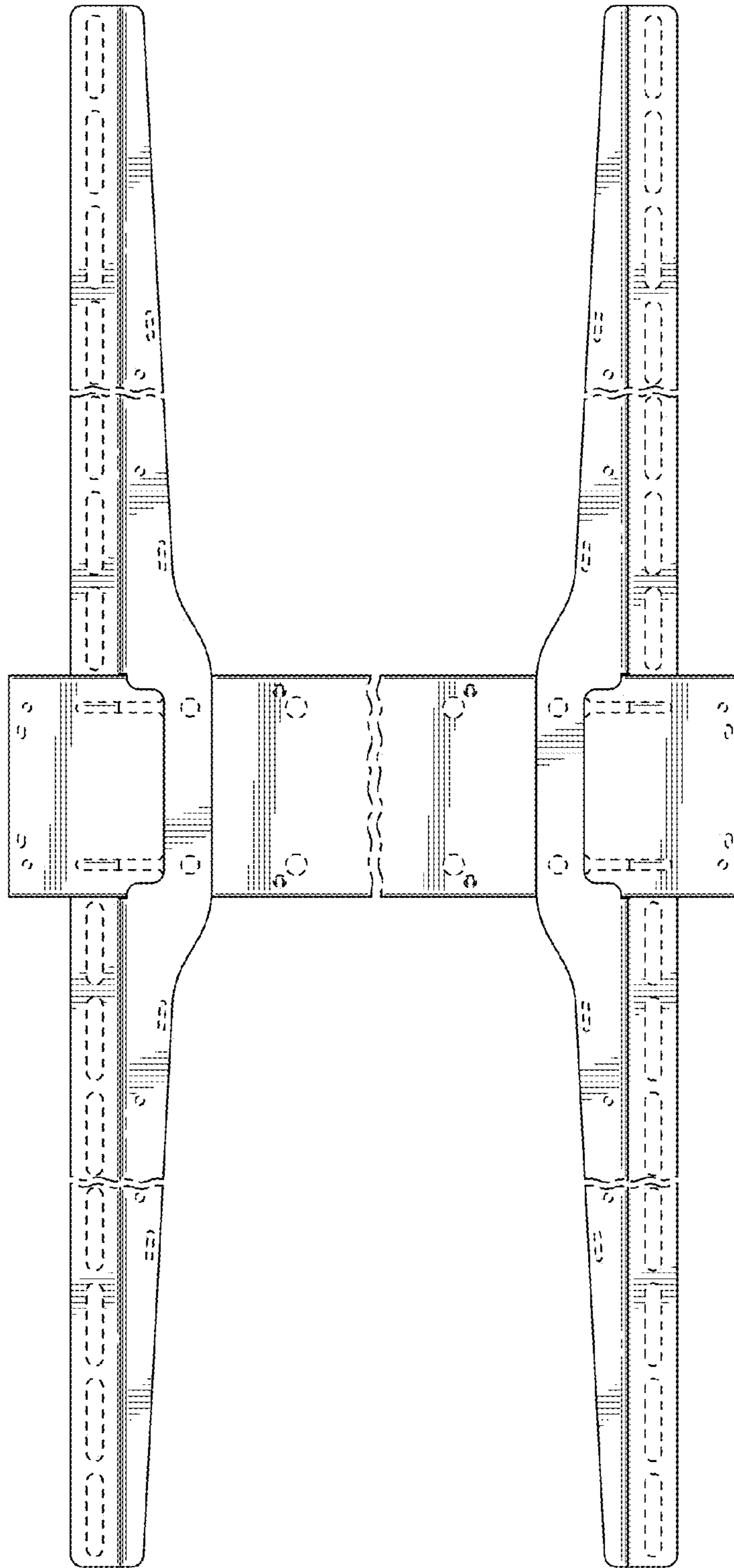


FIG. 2

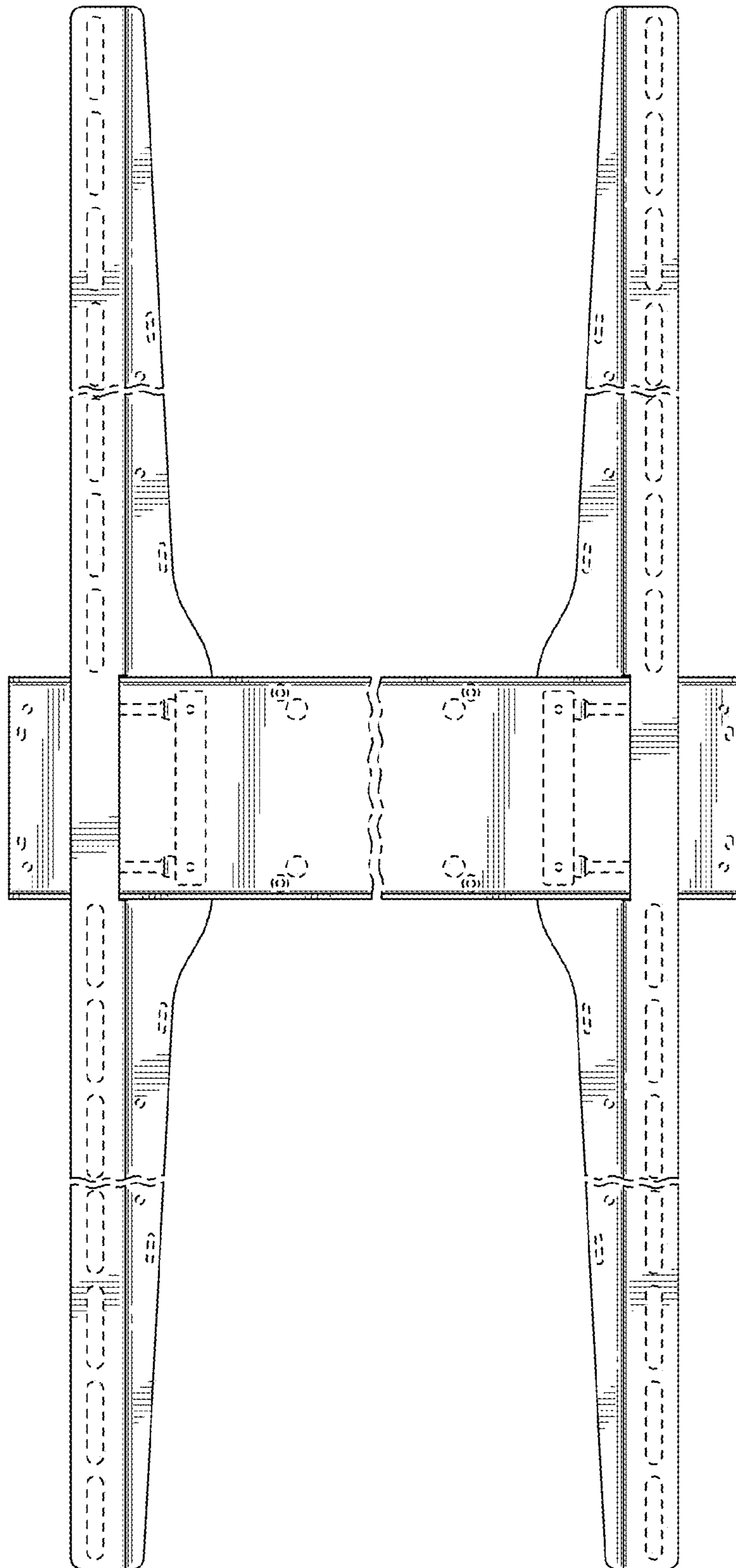


FIG. 3



FIG. 4

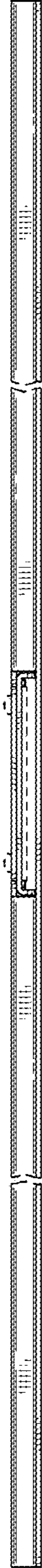


FIG. 5

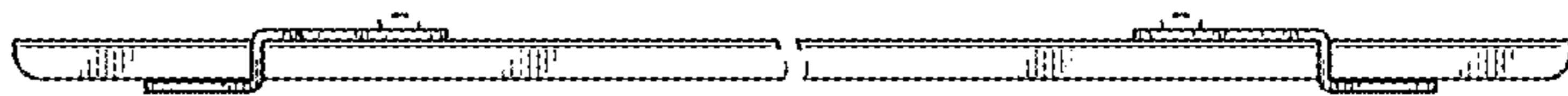


FIG. 6

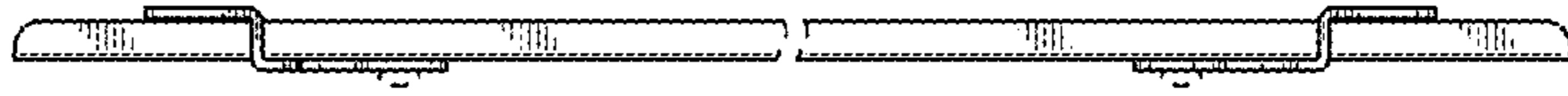


FIG. 7

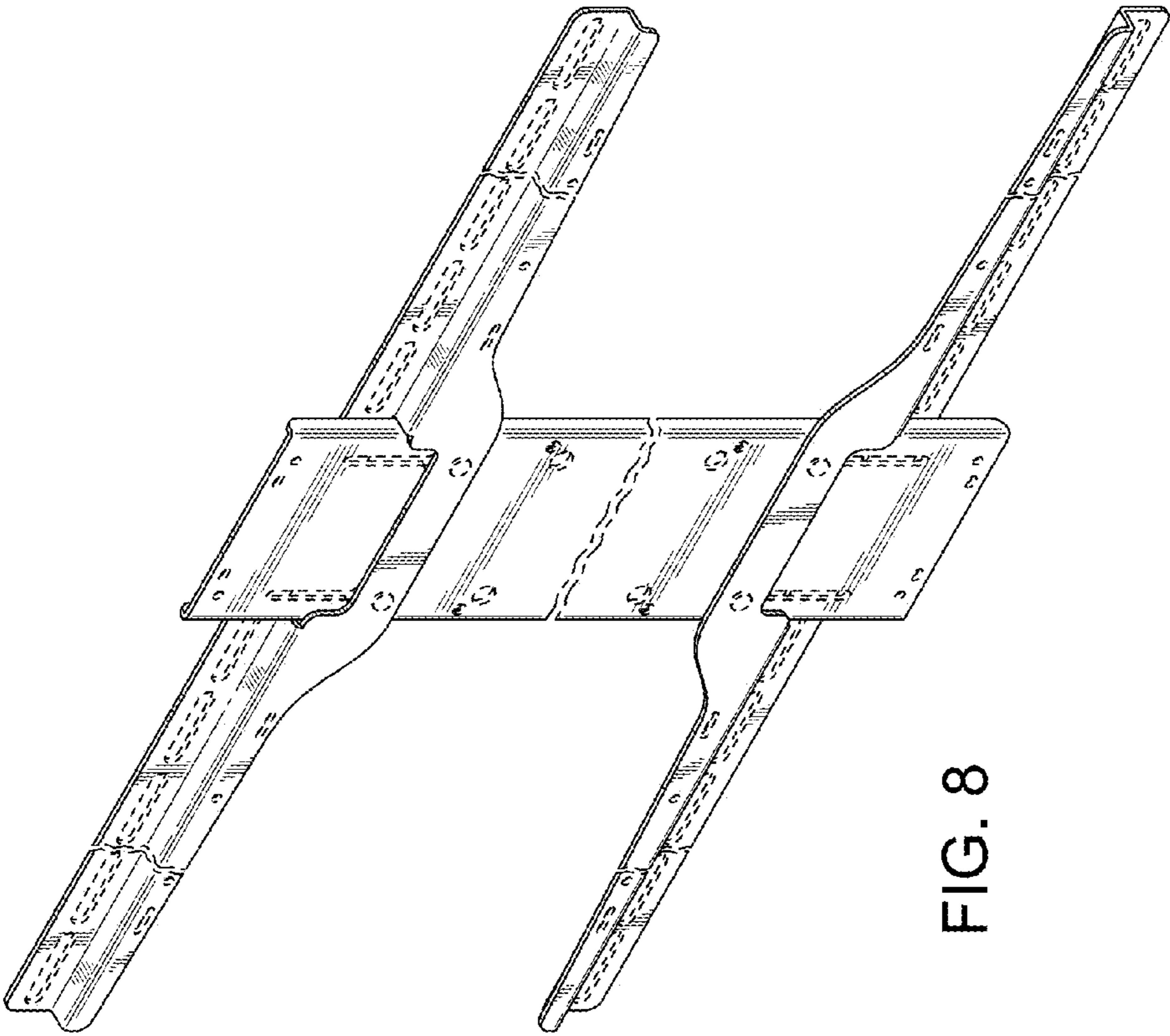


FIG. 8

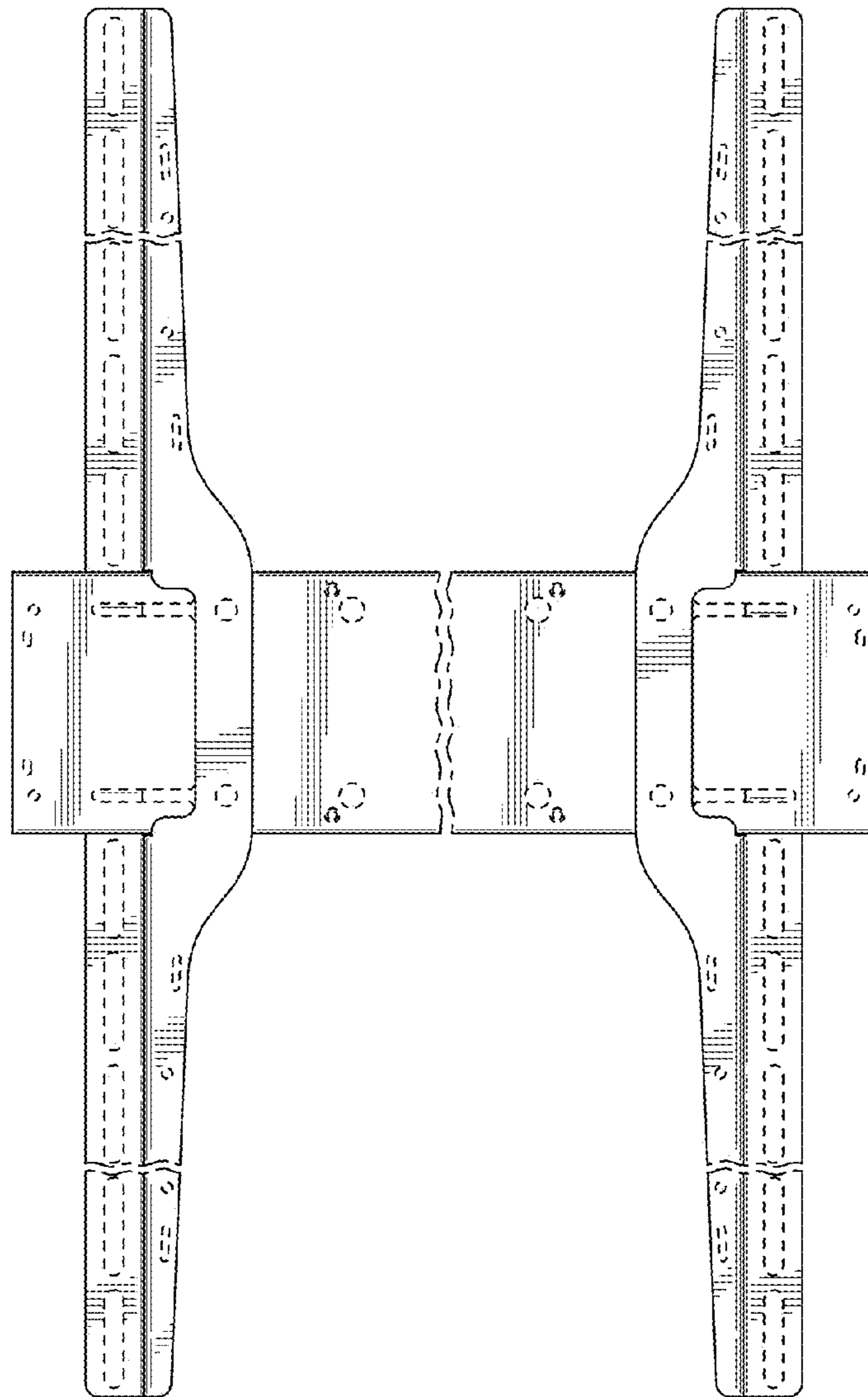


FIG. 9

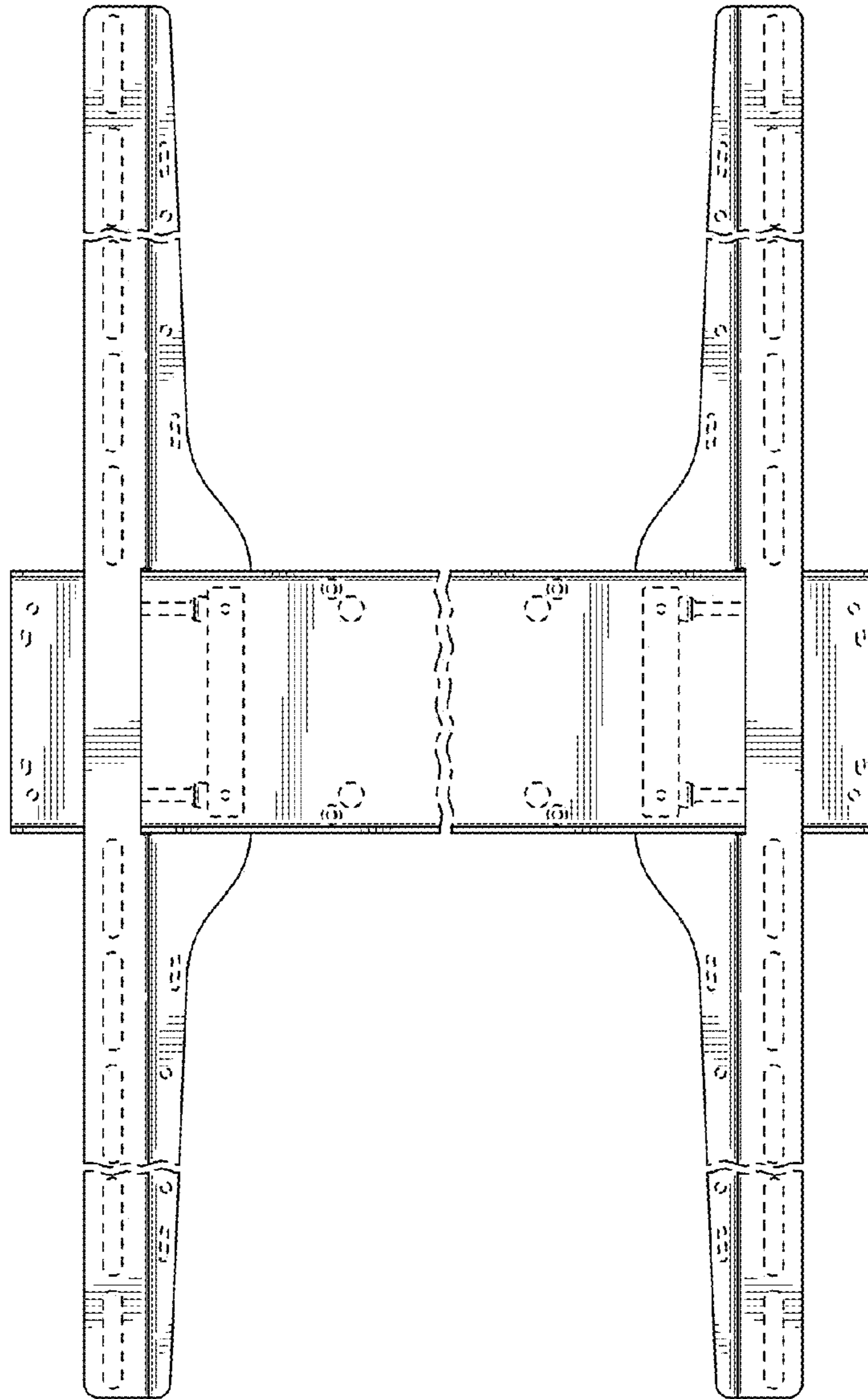


FIG. 10

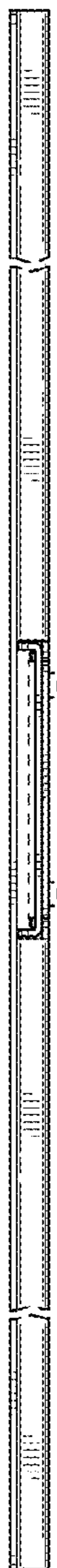


FIG. 11



FIG. 12

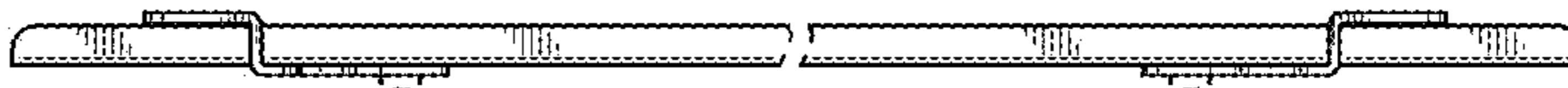


FIG. 14



FIG. 13