

US00D763234S

(12) **United States Design Patent**
Hara et al.

(10) **Patent No.:** **US D763,234 S**
(45) **Date of Patent:** **** Aug. 9, 2016**

- (54) **MICROPHONE**
- (71) Applicants: **Shigeo Hara**, Tokyo (JP); **Yoshiaki Abe**, Tokyo (JP); **Kai Ti Lin**, Tokyo (JP)
- (72) Inventors: **Shigeo Hara**, Tokyo (JP); **Yoshiaki Abe**, Tokyo (JP); **Kai Ti Lin**, Tokyo (JP)
- (73) Assignee: **Kabushiki Kaisha Audio-Technica**, Tokyo (JP)
- (**) Term: **14 Years**
- (21) Appl. No.: **29/519,584**
- (22) Filed: **Mar. 6, 2015**
- (51) **LOC (10) Cl.** **14-01**
- (52) **U.S. Cl.**
USPC **D14/225**
- (58) **Field of Classification Search**
USPC D14/225, 228, 226; D24/150, 172;
181/158, 184; 379/430, 433.01,
379/433.03; 381/174, 360, 361, 355, 356,
381/347, 359, 362, 366, 386, 368
CPC H04R 1/02; H04R 25/00; H04R 9/08;
H04R 3/00
See application file for complete search history.

(56) **References Cited**

U.S. PATENT DOCUMENTS

- D173,367 S * 11/1954 McVay D14/228
- D173,915 S * 1/1955 Schell D14/228
- 2,910,539 A * 10/1959 Hartsfield H04R 19/04
181/158
- D189,720 S * 2/1961 Burroughs D14/228
- 3,095,484 A * 6/1963 Beaverson H04R 1/342
181/158
- D200,051 S * 1/1965 Wassmann D14/228
- 3,236,328 A * 2/1966 Burroughs H04R 1/083
181/151
- 3,265,153 A * 8/1966 Burroughs H04R 1/08
181/158
- 3,444,955 A * 5/1969 Hoffmann H04R 1/342
181/158

- D220,108 S * 3/1971 van de Poel D14/228
- D292,701 S * 11/1987 Drever D14/228
- D296,099 S * 6/1988 Kubota D14/227
- D296,100 S * 6/1988 Kubota D14/228
- D296,435 S * 6/1988 Kubota D14/228
- 4,789,044 A * 12/1988 Akino H04R 1/38
181/158
- D299,921 S * 2/1989 Kikutani D14/227
- 4,811,405 A * 3/1989 Peiker H04R 1/08
381/365
- 4,991,220 A * 2/1991 Wolf H04R 1/08
381/361
- 5,031,872 A * 7/1991 Vance F16F 9/0481
248/187.1
- 5,303,304 A * 4/1994 Lee G11B 31/006
348/373
- 5,357,577 A * 10/1994 Waji H04R 1/04
361/704
- 5,675,660 A * 10/1997 Townsend H04R 1/086
381/189
- D431,817 S * 10/2000 Yuyama D14/227
- D444,143 S * 6/2001 Andreini D14/228
- 6,459,802 B1 * 10/2002 Young H04R 1/083
381/361

(Continued)

Primary Examiner — Paula Greene

(74) *Attorney, Agent, or Firm* — Whitham, Curtis & Cook, P.C.

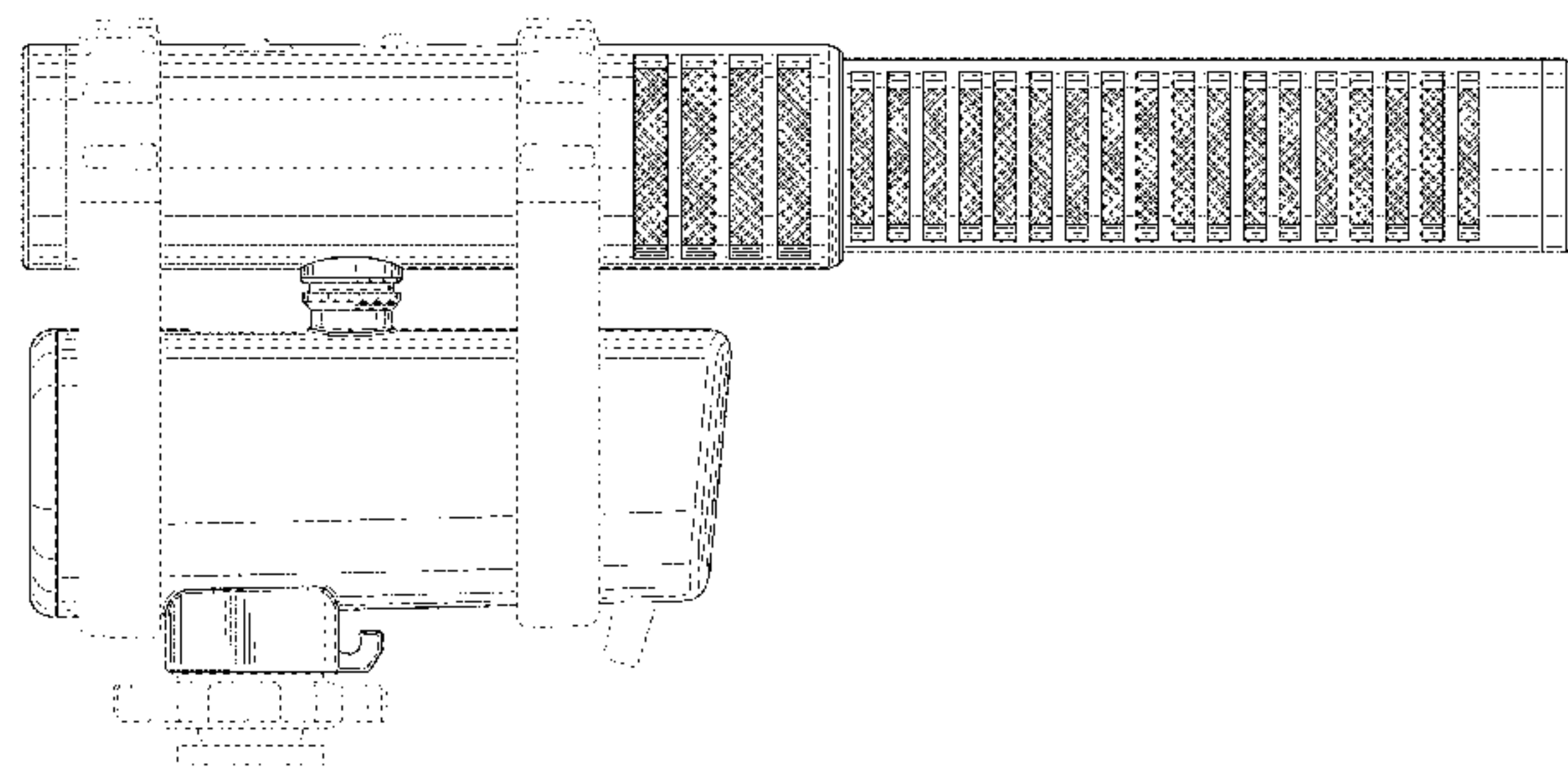
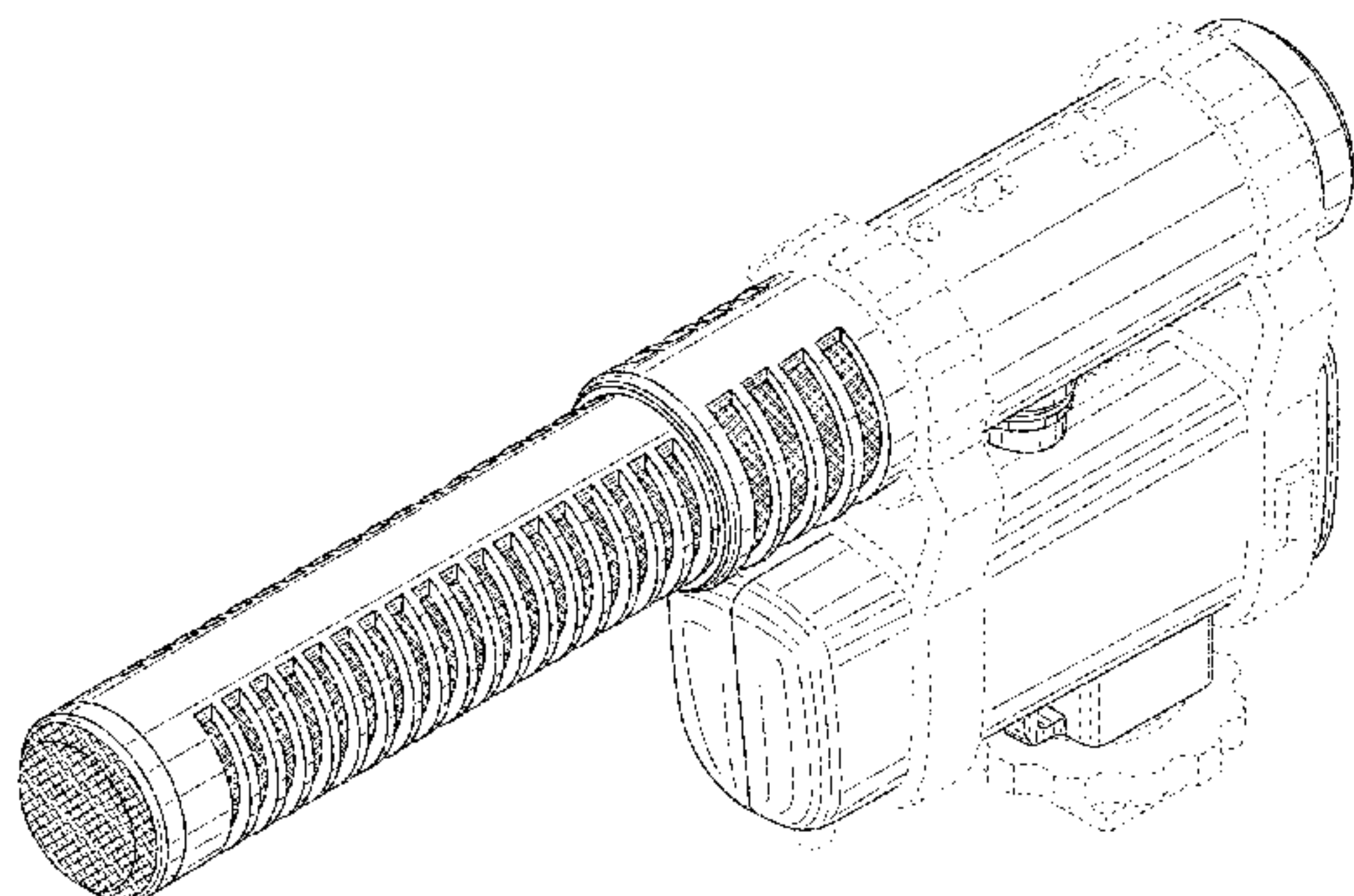
(57) **CLAIM**

We claim the ornamental design for a microphone, as shown and described.

DESCRIPTION

FIG. 1 is a perspective view of a microphone;
FIG. 2 is a front view of the microphone;
FIG. 3 is a rear view of the microphone;
FIG. 4 is a left side view of the microphone;
FIG. 5 is a right side view of the microphone;
FIG. 6 is a top plan view of the microphone; and,
FIG. 7 is a bottom plan view of the microphone.
Portions of the drawings shown in broken lines form no part of the claimed design.

1 Claim, 7 Drawing Sheets



(56)

References Cited

U.S. PATENT DOCUMENTS

D479,227 S * 9/2003 Marshall D14/228
D479,837 S * 9/2003 Sundquist D14/228
7,106,869 B2 * 9/2006 Kanda H04R 19/04
381/174
D602,920 S * 10/2009 Fleischer D14/226
D603,381 S * 11/2009 Fleischer D14/227
D605,183 S * 12/2009 Fleischer D14/227
7,769,408 B2 * 8/2010 Hansson H04M 1/0285
455/550.1

D670,271 S * 11/2012 Tzeng D14/216
D676,428 S * 2/2013 Trewartha D14/225
D687,420 S * 8/2013 Trewartha D14/225
D694,221 S * 11/2013 Shears D14/225
D703,194 S * 4/2014 Jacobs D14/225
D719,140 S * 12/2014 Sanhui D14/225
D735,171 S * 7/2015 Sunwoo D14/225
D748,610 S * 2/2016 Smith D14/225
2013/0004010 A1 * 1/2013 Royer H04R 1/08
381/368

* cited by examiner

FIG. 1

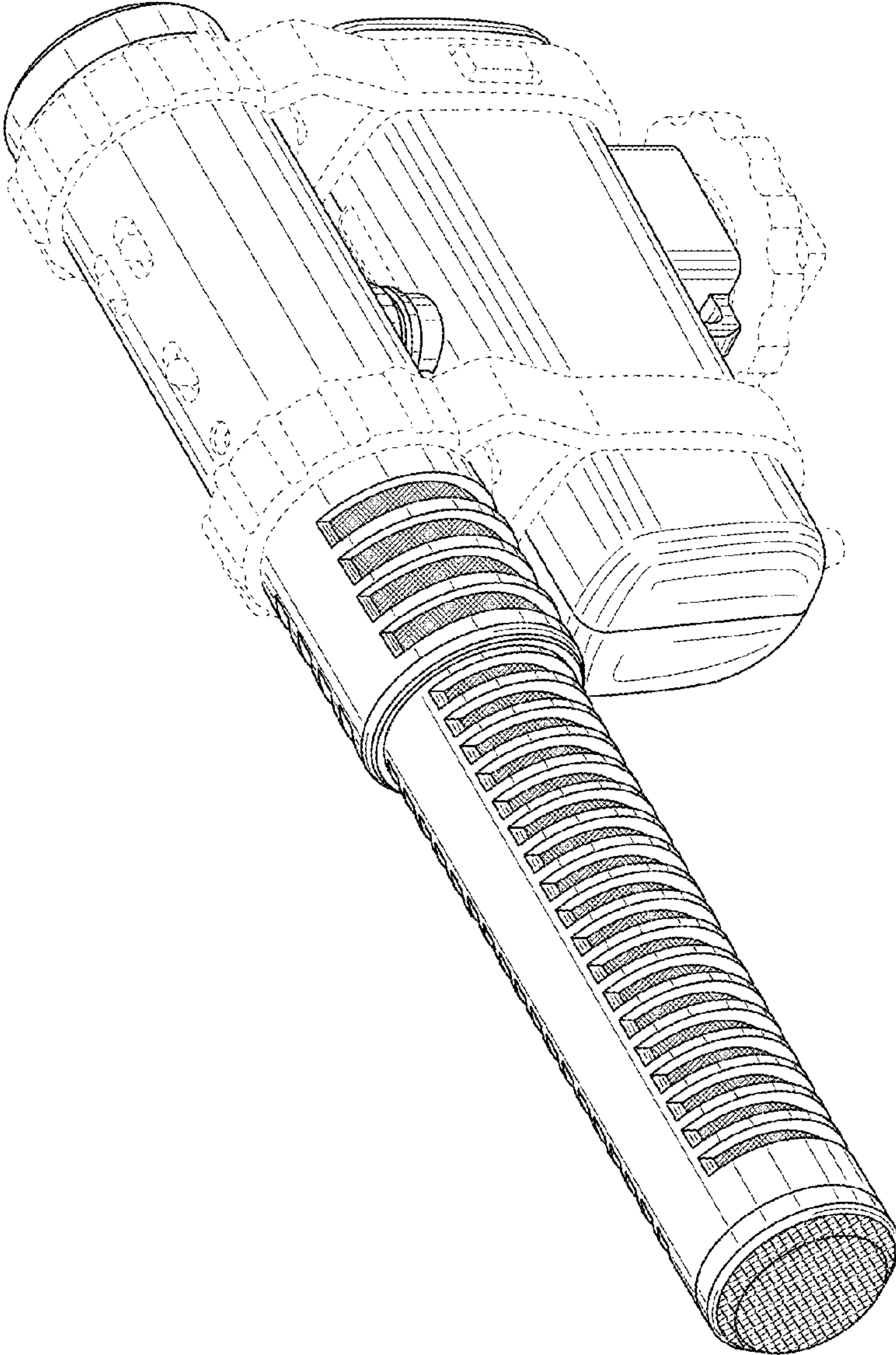


FIG. 2

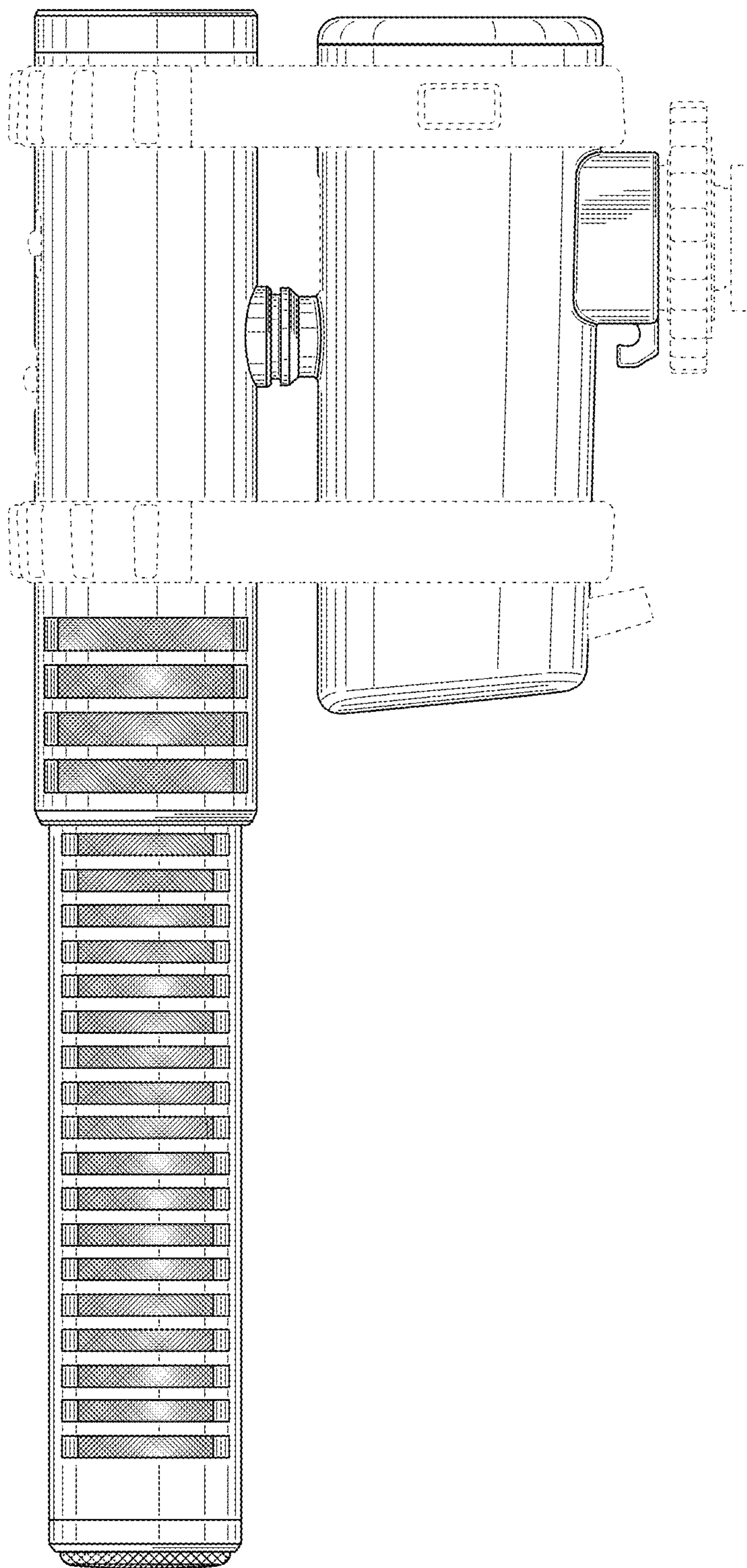


FIG. 3

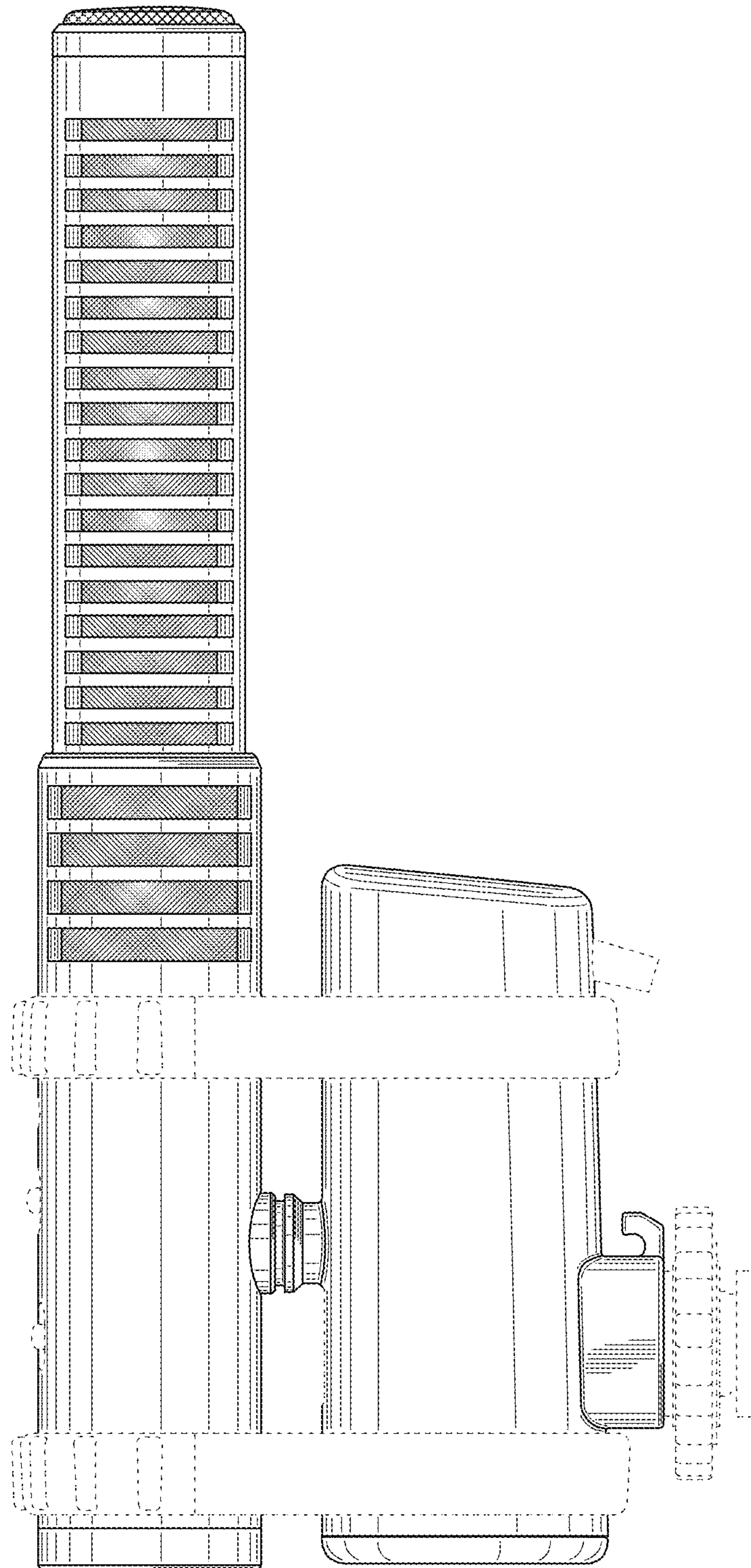


FIG. 4

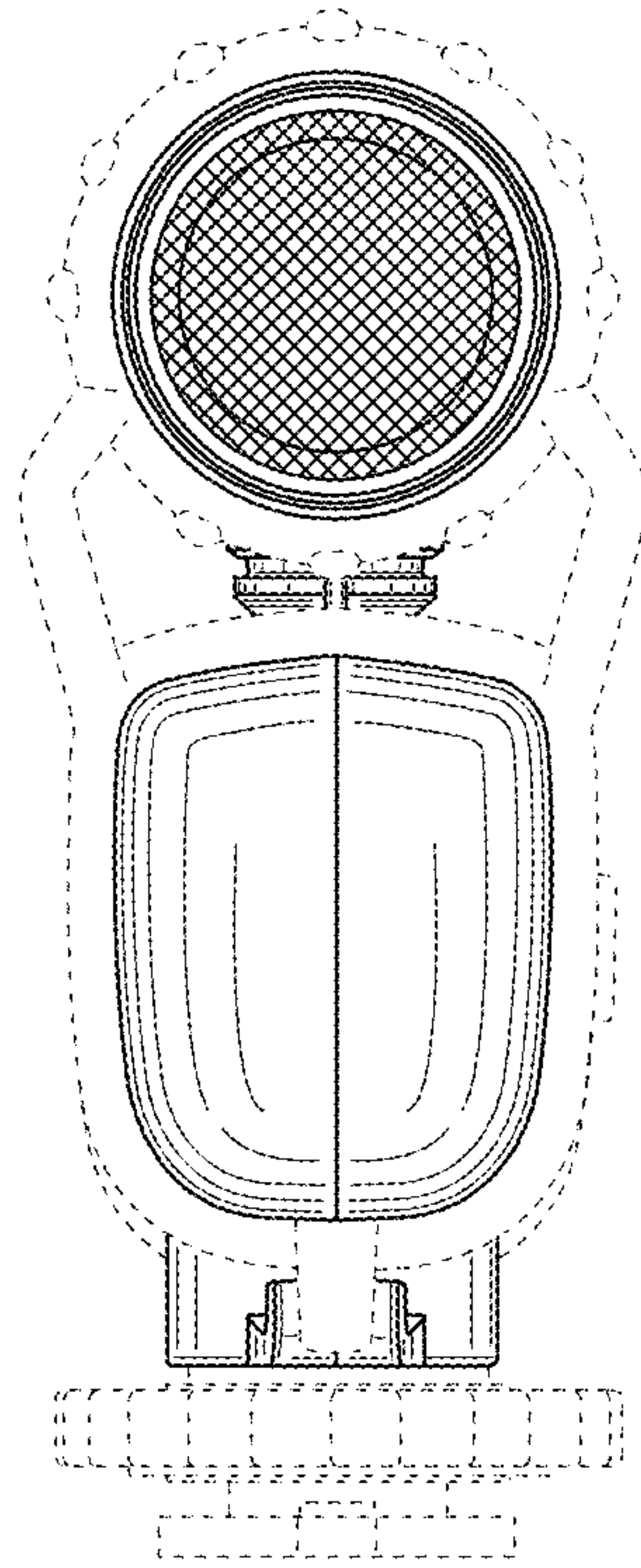


FIG. 5

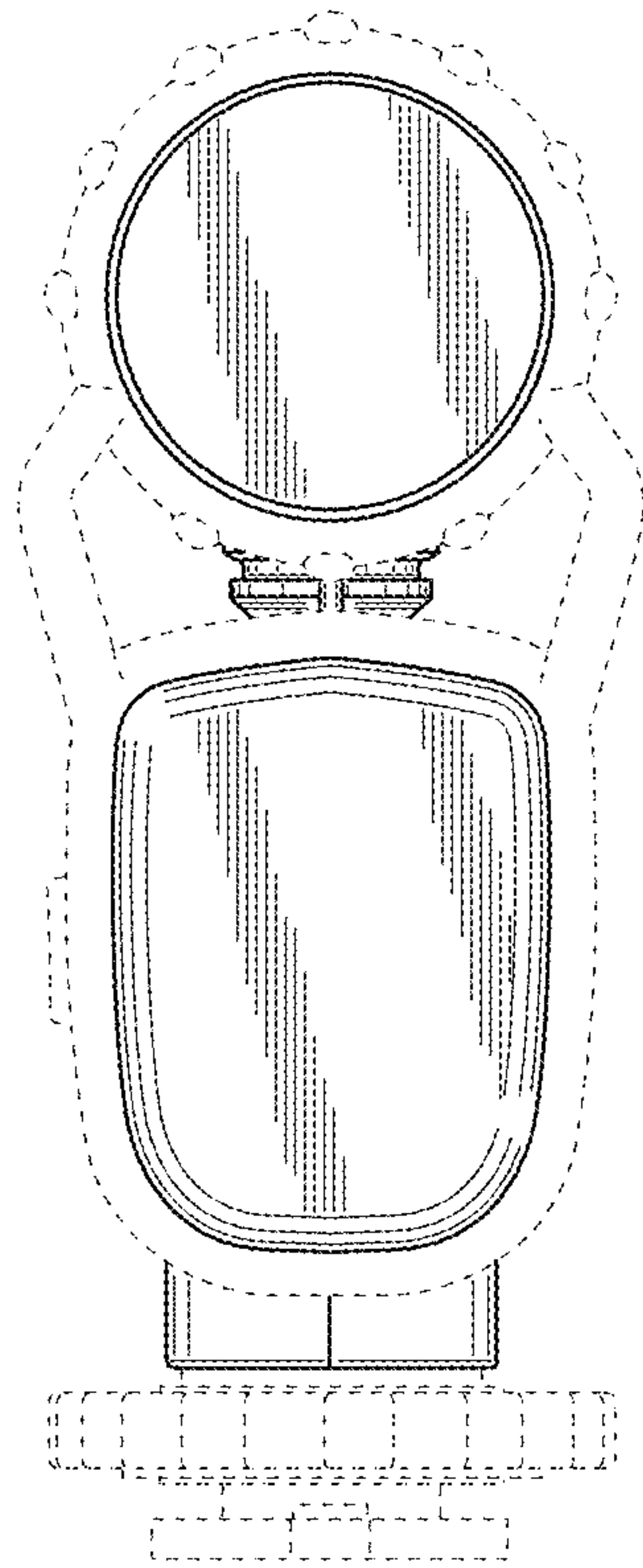


FIG. 6

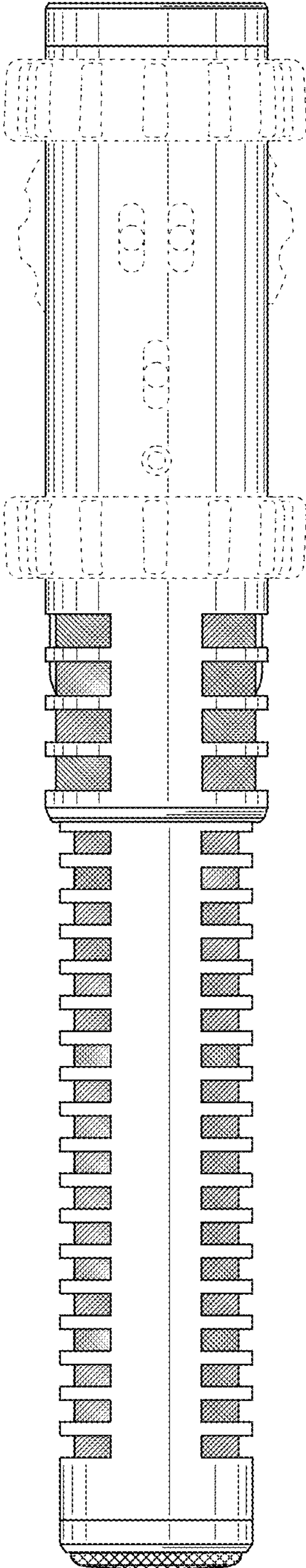


FIG. 7

