

US00D763233S

(12) **United States Design Patent**  
**Wu et al.**

(10) **Patent No.:** **US D763,233 S**  
(45) **Date of Patent:** **\*\* Aug. 9, 2016**

- (54) **PART OF LOUDSPEAKER**
- (71) Applicant: **AmTRAN Technology Co., Ltd.**, New Taipei (TW)
- (72) Inventors: **Chia-Yu Wu**, New Taipei (TW);  
**Hsiao-Ju Huang**, New Taipei (TW)
- (73) Assignee: **AmTRAN Technology Co., Ltd.**, New Taipei (TW)
- (\*\*) Term: **14 Years**
- (21) Appl. No.: **29/514,546**
- (22) Filed: **Jan. 14, 2015**
- (30) **Foreign Application Priority Data**  
Nov. 26, 2014 (TW) ..... 103306946
- (51) **LOC (10) Cl.** ..... **14-03**
- (52) **U.S. Cl.**  
USPC ..... **D14/224.1**; D14/211
- (58) **Field of Classification Search**  
USPC ..... D14/209.1, 213, 221, 211, 252, 142,  
D14/204, 214, 219, 210, 217; D32/53, 54;  
381/386, 300, 301, 334, 364, 388;  
248/221.11, 475.1, 73; 181/141, 144,  
181/145, 147, 148, 150, 157, 198, 199  
CPC ..... H04R 1/02; H04R 25/00; A47B 96/06  
See application file for complete search history.

(56) **References Cited**

**U.S. PATENT DOCUMENTS**

- 1,216,321 A \* 2/1917 Inami ..... A47B 23/04  
248/447.2
- 1,552,593 A \* 9/1925 Childress ..... H04R 5/0335  
381/379
- 1,700,585 A \* 1/1929 Grismer ..... B44D 3/128  
220/697
- 1,879,284 A \* 9/1932 Johnson ..... G09F 23/00  
248/442.2
- 2,880,949 A \* 4/1959 Fuss ..... F16L 3/227  
248/307
- 3,098,128 A \* 7/1963 Audin ..... A61G 15/125  
297/391
- 3,129,281 A \* 4/1964 Hardin ..... H01B 17/145  
174/158 F

- 3,218,013 A \* 11/1965 Gibson ..... F16L 3/04  
248/73
- 3,423,055 A \* 1/1969 Fisher ..... F16B 21/088  
24/339
- 3,531,222 A \* 9/1970 Randall ..... F16L 3/1233  
138/106
- D242,474 S \* 11/1976 Croup ..... D14/211
- 4,039,131 A \* 8/1977 Perrault ..... F16L 3/1218  
248/220.43
- 4,075,438 A \* 2/1978 Kappel ..... H04R 5/023  
381/301
- D292,704 S \* 11/1987 Imazeki ..... D14/137
- 5,414,229 A \* 5/1995 Rocheleau ..... H04R 1/025  
181/141
- D366,478 S \* 1/1996 Daniels ..... D14/213
- 5,633,943 A \* 5/1997 Daniels ..... G06F 1/1605  
381/120
- 5,701,347 A \* 12/1997 Daniels ..... G06F 1/1605  
248/346.03
- D389,483 S \* 1/1998 Christie ..... D14/214
- 5,833,186 A \* 11/1998 Kosmoski ..... G06F 1/1605  
248/221.11
- 5,889,875 A \* 3/1999 Caron ..... A47C 7/72  
381/300
- 5,970,161 A \* 10/1999 Takashima ..... G06F 1/1605  
348/E5.13
- 6,100,942 A \* 8/2000 Hollenbaugh ..... G06F 1/1607  
248/220.22
- 6,527,237 B2 \* 3/2003 Harary ..... H04R 1/026  
181/141
- D530,052 S \* 10/2006 Berti ..... D32/53

(Continued)

*Primary Examiner* — Paula Greene  
(74) *Attorney, Agent, or Firm* — CKC & Partners Co., Ltd.

(57) **CLAIM**

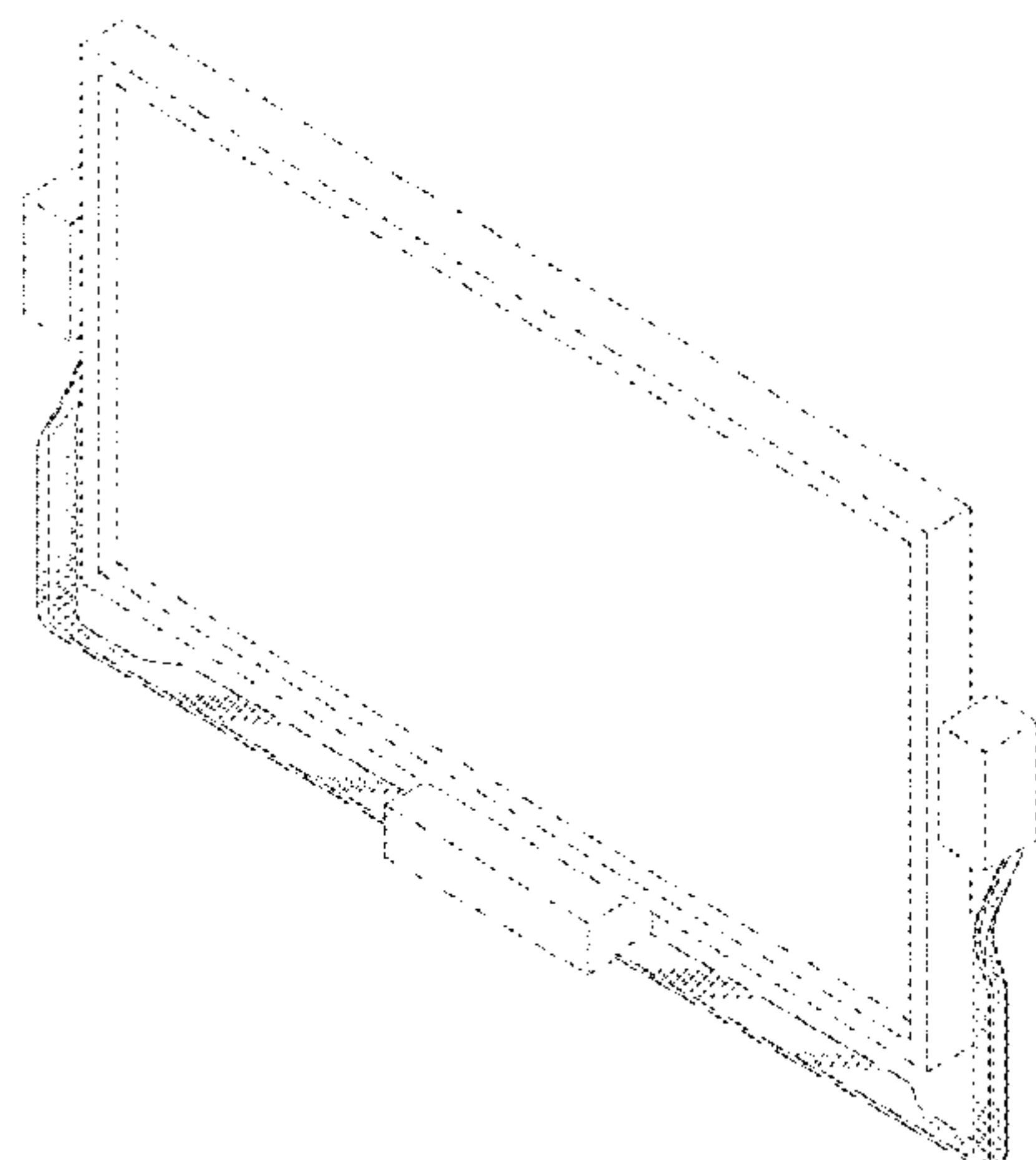
The ornamental design for a part of loudspeaker, as shown and described.

**DESCRIPTION**

FIG. 1 is a perspective view of a part of loudspeaker showing our new design;  
FIG. 2 is a front view thereof;  
FIG. 3 is a rear view thereof;  
FIG. 4 is a left side view thereof;  
FIG. 5 is a right side view thereof;  
FIG. 6 is a top view thereof; and,  
FIG. 7 is a bottom view thereof.

The broken lines shown represent unclaimed subject matter and form no part of the claimed design.

**1 Claim, 7 Drawing Sheets**



(56)

**References Cited**

U.S. PATENT DOCUMENTS

D530,309 S \* 10/2006 Hoehn ..... D14/211  
D597,074 S \* 7/2009 Lee ..... D14/211  
D612,820 S \* 3/2010 Jeong ..... D14/126  
D625,278 S \* 10/2010 Kim ..... D14/126

D631,630 S \* 1/2011 Berti ..... D32/53  
D643,002 S \* 8/2011 Choi ..... D14/126  
D655,471 S \* 3/2012 Schnatter ..... D32/53  
8,272,619 B2 \* 9/2012 Ernst ..... A47G 1/20  
248/475.1  
D714,758 S \* 10/2014 Lee ..... D14/209.1  
D726,148 S \* 4/2015 Ahn ..... D14/209.1

\* cited by examiner

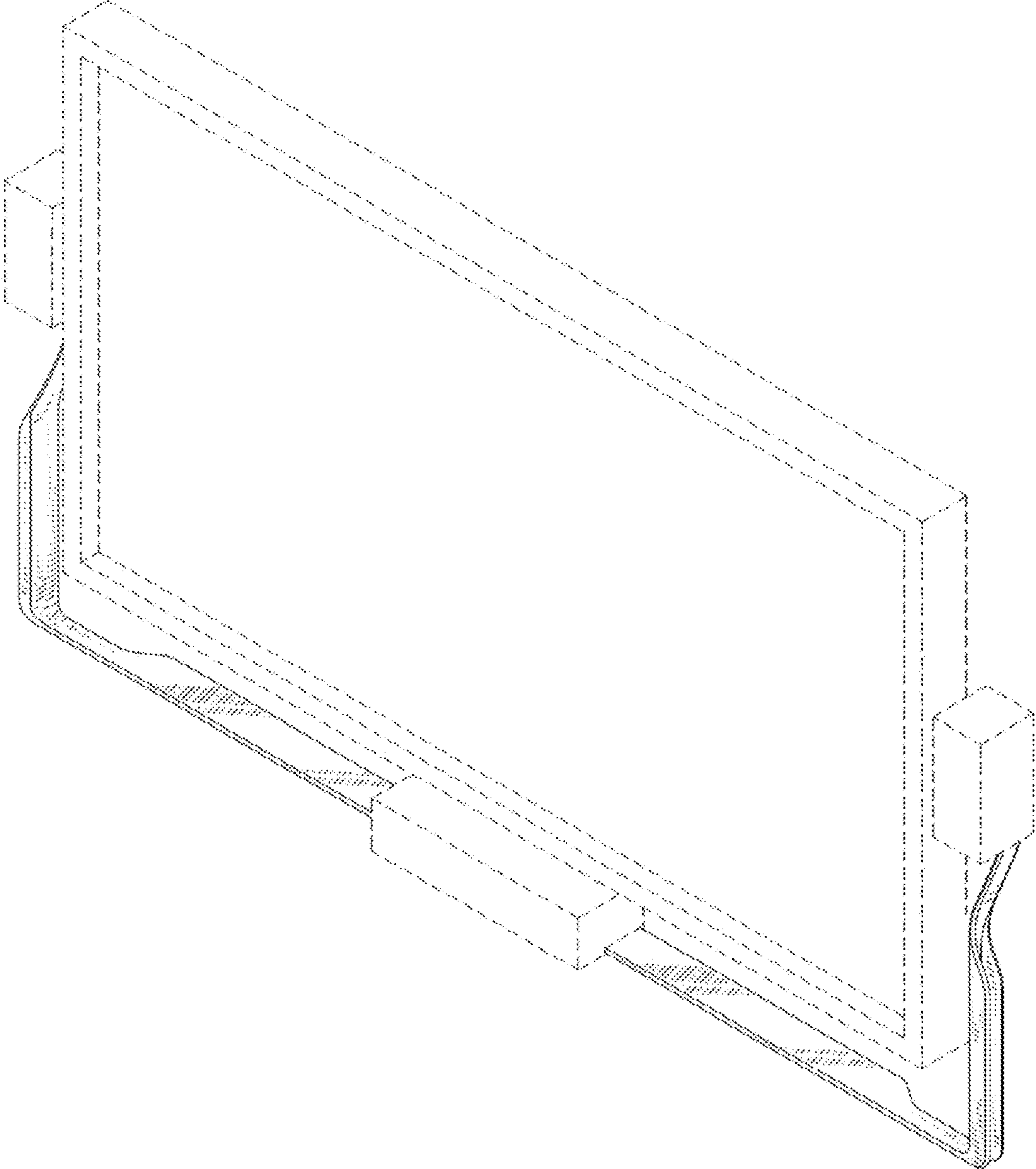


Fig. 1

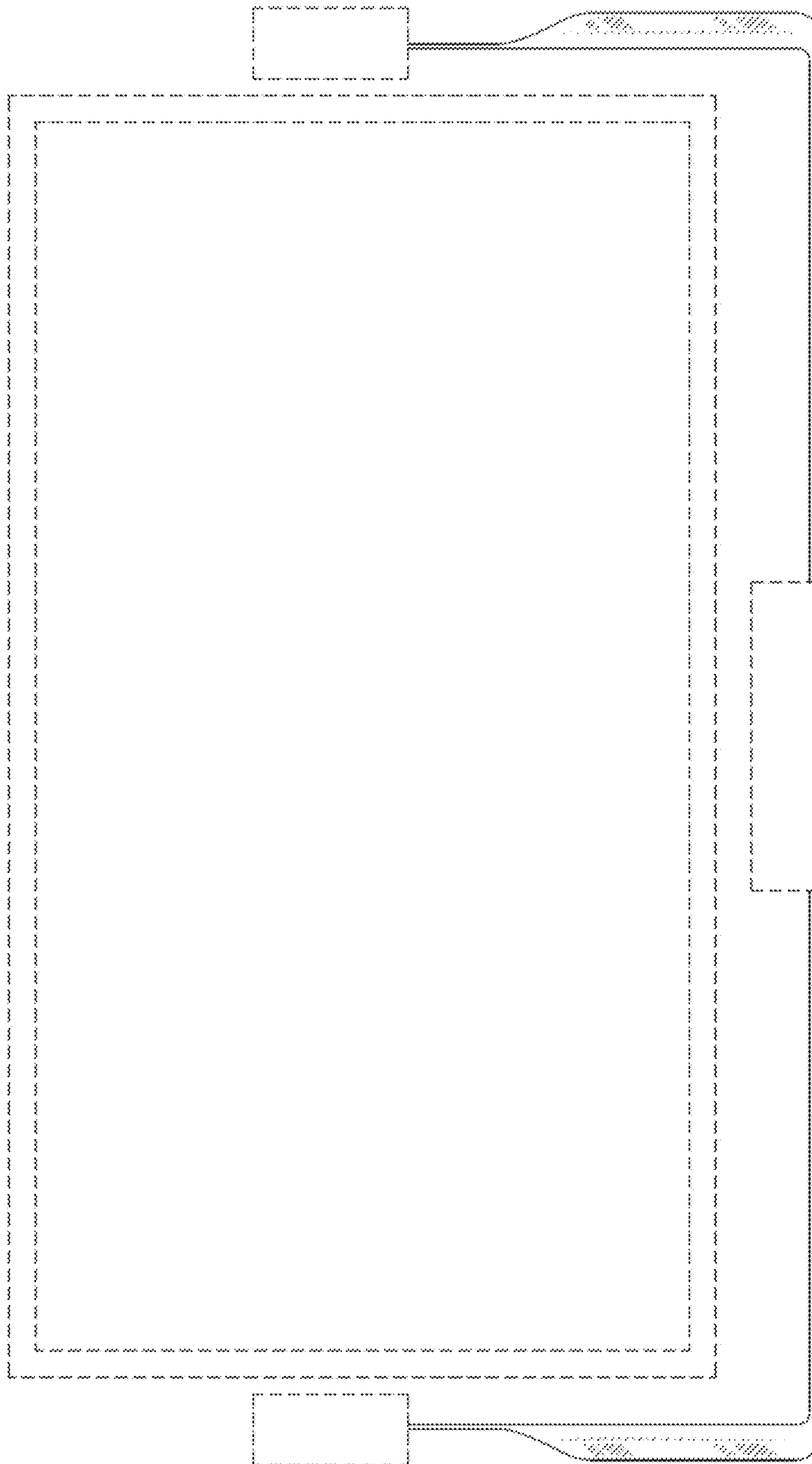


Fig. 2

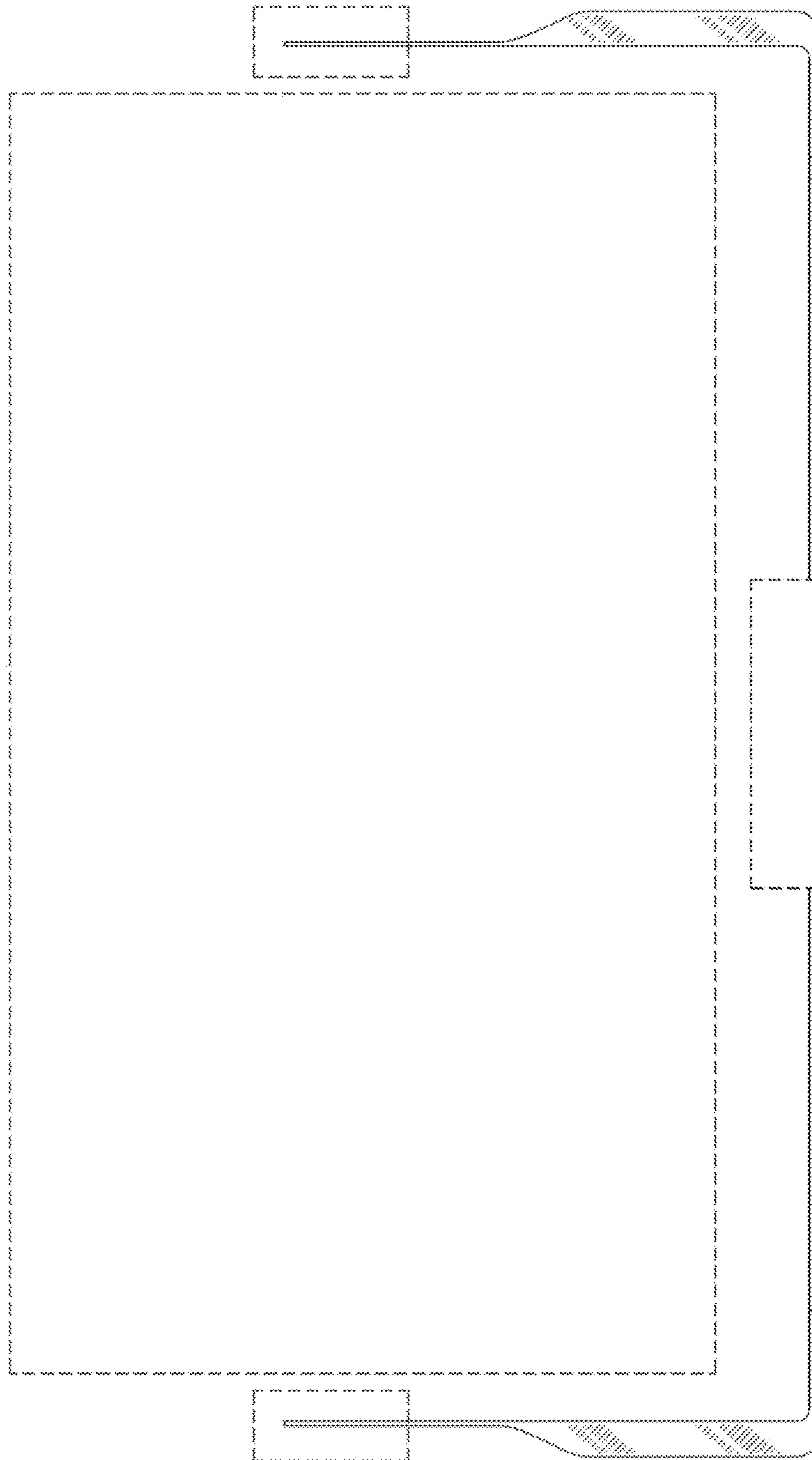


Fig. 3



Fig. 4



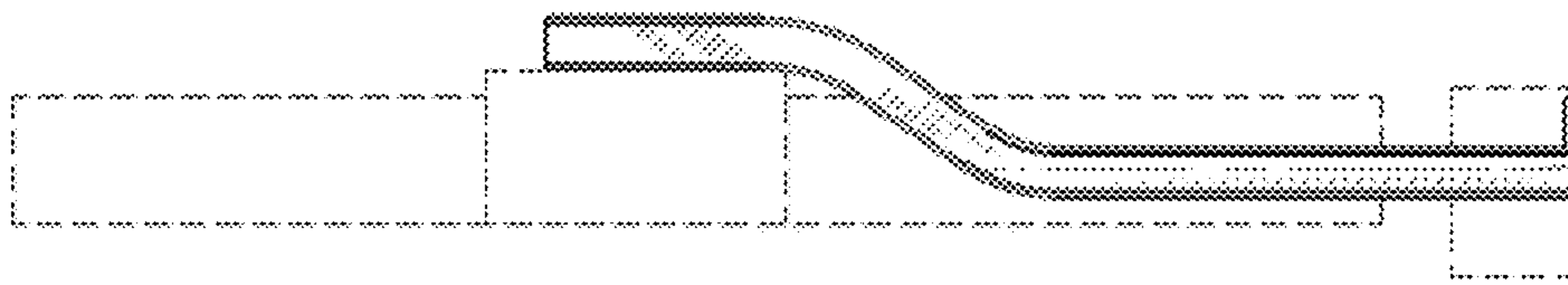


Fig. 5

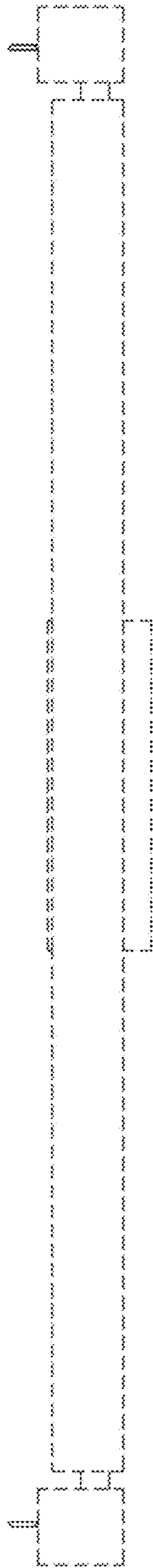


Fig. 6



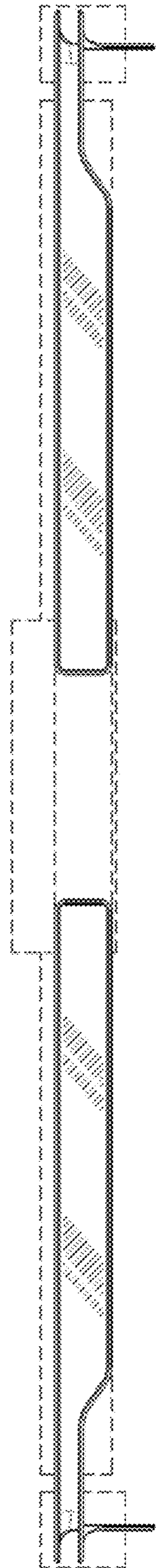


Fig. 7