



US00D763230S

(12) **United States Design Patent**
Feng

(10) **Patent No.:** **US D763,230 S**
(45) **Date of Patent:** **** Aug. 9, 2016**

(54) **SPHERICAL SPEAKER DEVICE**

(71) Applicant: **Shenzhen Great Power Innovation and Technology Enterprise Co., Ltd.**,
Shenzhen (CN)

(72) Inventor: **Qixiang Feng**, Shenzhen (CN)

(73) Assignee: **Shenzhen Great Power Innovation and Technology Enterprise Co., Ltd.**,
Shenzhen, Guangdong Province (CN)

(**) Term: **14 Years**

(21) Appl. No.: **29/489,929**

(22) Filed: **May 5, 2014**

(51) **LOC (10) Cl.** **14-03**

(52) **U.S. Cl.**
USPC **D14/216**; D11/121

(58) **Field of Classification Search**
USPC D14/167, 168, 170-172, 188, 194-196,
D14/204, 207, 209.1, 210-216, 219, 221,
D14/222, 224, 496; 181/143, 144, 147, 148,
181/150, 153, 157, 198, 199; 381/300-303,
381/306, 332, 333, 336, 345, 361-364,
381/386-388; 369/6-12; D11/99, 108, 115,
D11/117, 119, 121, 125, 126
CPC B60R 11/0217; G06F 1/1688; H04M 1/03;
H04M 1/035; H04R 1/02; H04R 1/06; H04R
1/021; H04R 1/025; H04R 1/026; H04R
1/028; H04R 1/105; H04R 1/323; H04R
1/403; H04R 1/2803; H04R 1/2834; H04R
5/02; H04R 7/20; H04R 9/06; H04R 9/025;
H04R 2201/021; H04R 2400/00; H04R
2400/07; H04R 2499/11; H04R 2499/13;
H04R 2499/15; H04S 3/00; H04S 7/30;
H03F 1/327; G10K 9/22; G10K 11/004
See application file for complete search history.

(56) **References Cited**

U.S. PATENT DOCUMENTS

D66,273	S	*	12/1924	Brown	D11/115
2,800,870	A	*	7/1957	Garthwait, Jr.	116/155
3,873,880	A	*	3/1975	Riddell	315/53
D249,134	S	*	8/1978	Barr	D11/81
D278,419	S	*	4/1985	Hill	D11/121
D382,824	S	*	8/1997	Motruk	D10/106.4
D402,914	S	*	12/1998	Andersen	D11/121
D417,164	S	*	11/1999	Sandoval et al.	D10/106.4
D592,095	S	*	5/2009	Wessling	D11/121
D598,321	S	*	8/2009	Rosenkotter	D11/121

(Continued)

OTHER PUBLICATIONS

Cnet.com; Carnoy, David; "http://www.cente.com/news/dbest-debuts-worlds-smallest-bluetooth-hi-fi-system/"; dated Jan. 6, 2012; accessed Jul. 13, 2015; 3pgs.*

(Continued)

Primary Examiner — Keli L Hill

(74) *Attorney, Agent, or Firm* — Novoclaims Patent Services LLC; Mei Lin Wong

(57) **CLAIM**

The ornamental design for a spherical speaker device, as shown and described.

DESCRIPTION

FIG. 1 is a front view of a spherical speaker device showing my new design.

FIG. 2 is a rear view thereof.

FIG. 3 is a left end view thereof.

FIG. 4 is a right end view thereof.

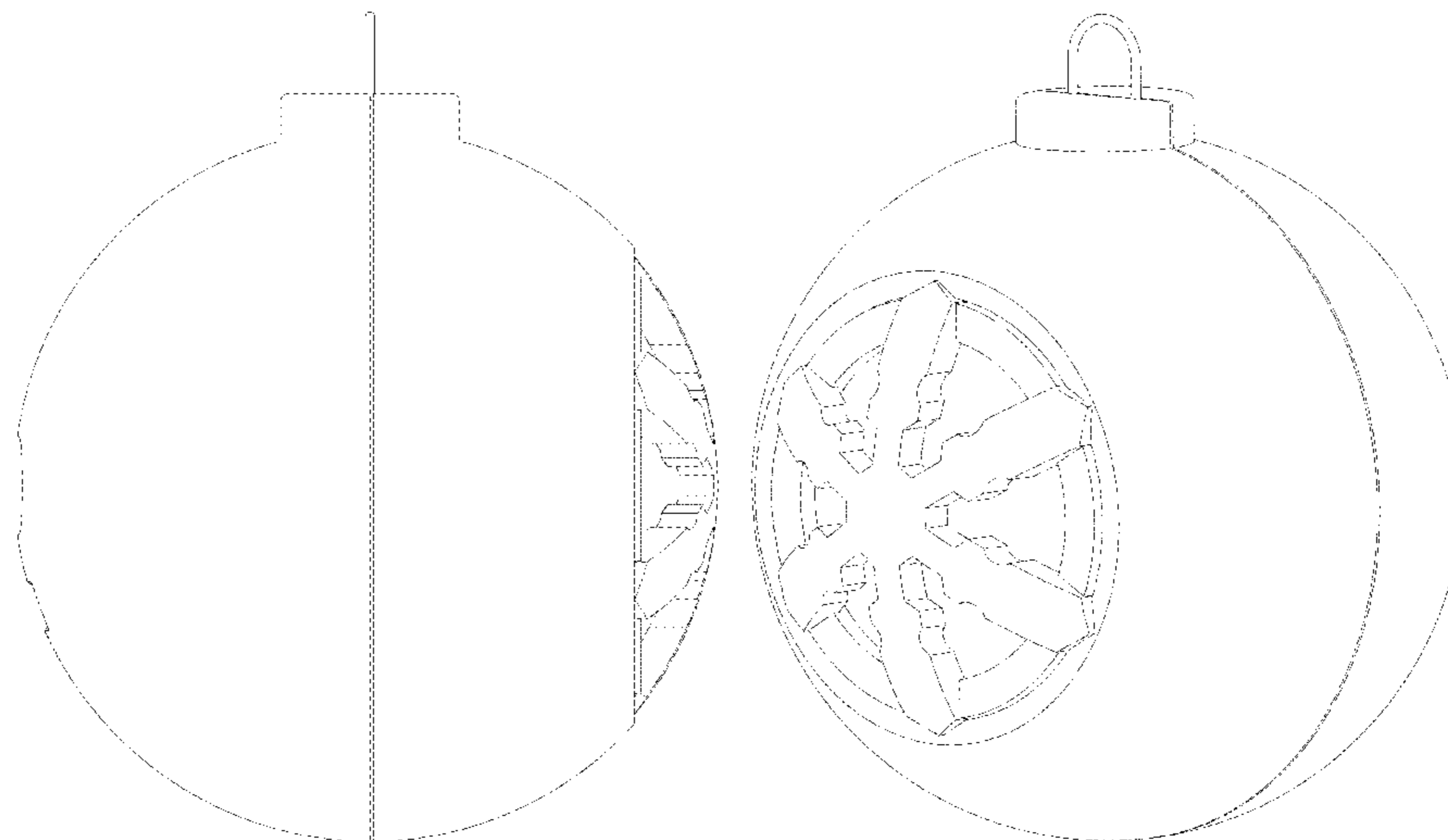
FIG. 5 is a top view thereof.

FIG. 6 is a bottom view thereof; and,

FIG. 7 is a perspective view thereof.

The broken lines shown in the drawings represent unclaimed portions of the spherical speaker device and form no part of the claimed design.

1 Claim, 7 Drawing Sheets



(56)

References Cited

OTHER PUBLICATIONS

U.S. PATENT DOCUMENTS

D598,806 S * 8/2009 Rosenkotter D11/117
D598,808 S * 8/2009 Rosenkotter D11/121
D614,989 S * 5/2010 Nakamura D11/121
D617,674 S * 6/2010 Nakamura D11/121
D678,814 S * 3/2013 Gilligan D11/121
D706,670 S * 6/2014 Cobos D11/121
2004/0137170 A1 * 7/2004 Yu 428/11

PCmag.com; Colon, Alex; “<http://www.pcmag.com/article2/0,2817,2472205,00.asp>”; dated Nov. 17, 2014; accessed Aug. 10, 2015; 1pg.*

* cited by examiner

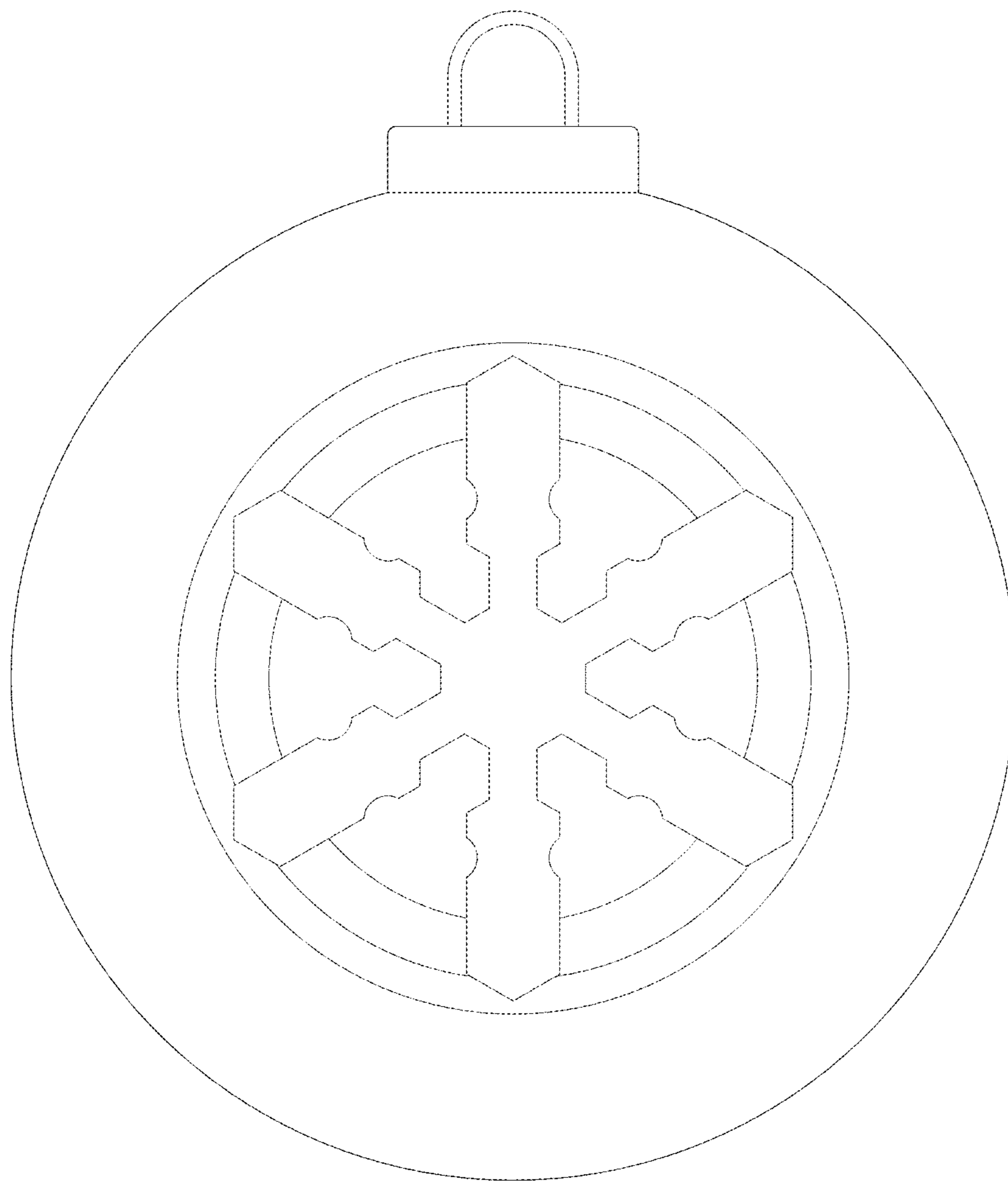


FIG. 1

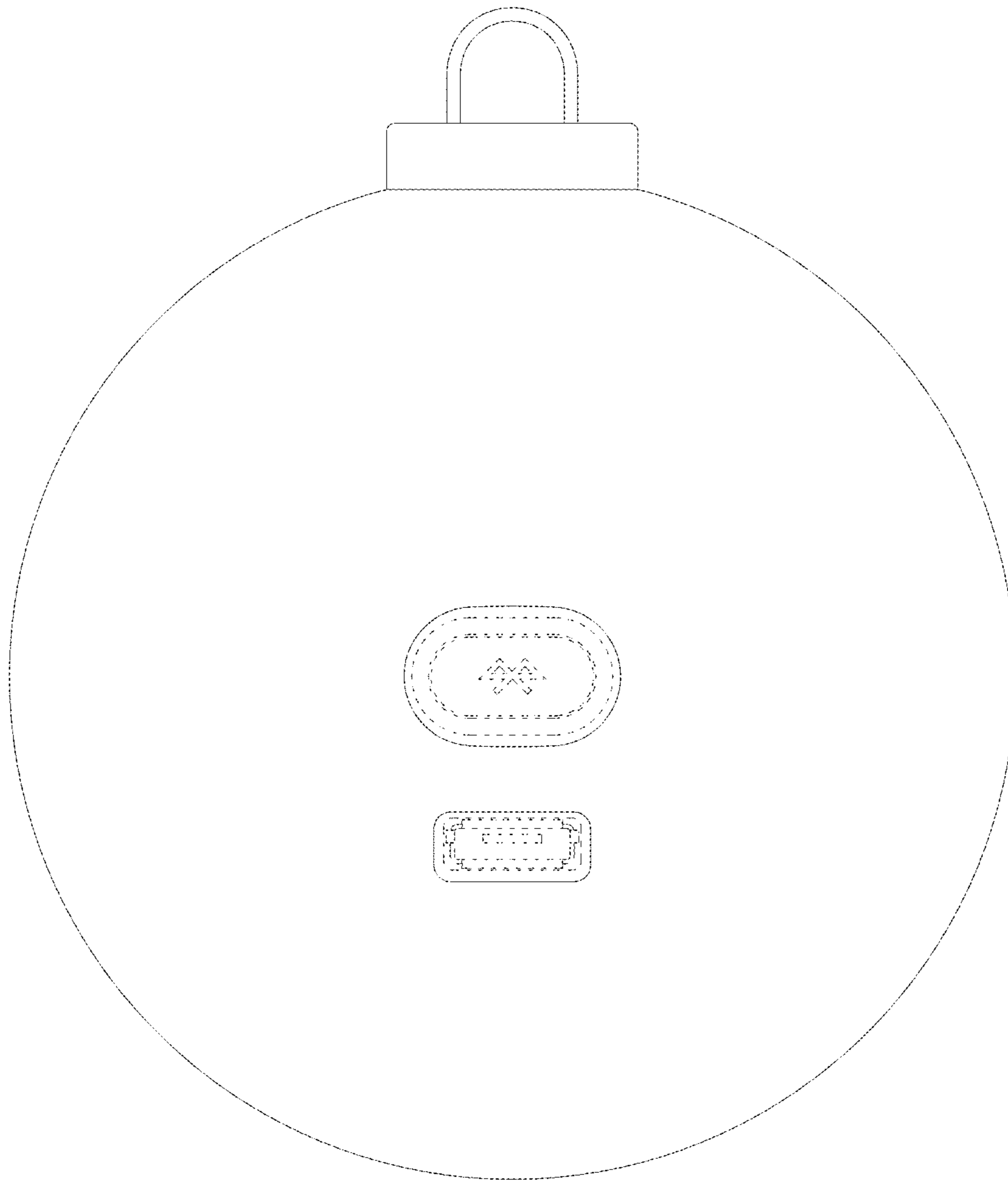


FIG. 2

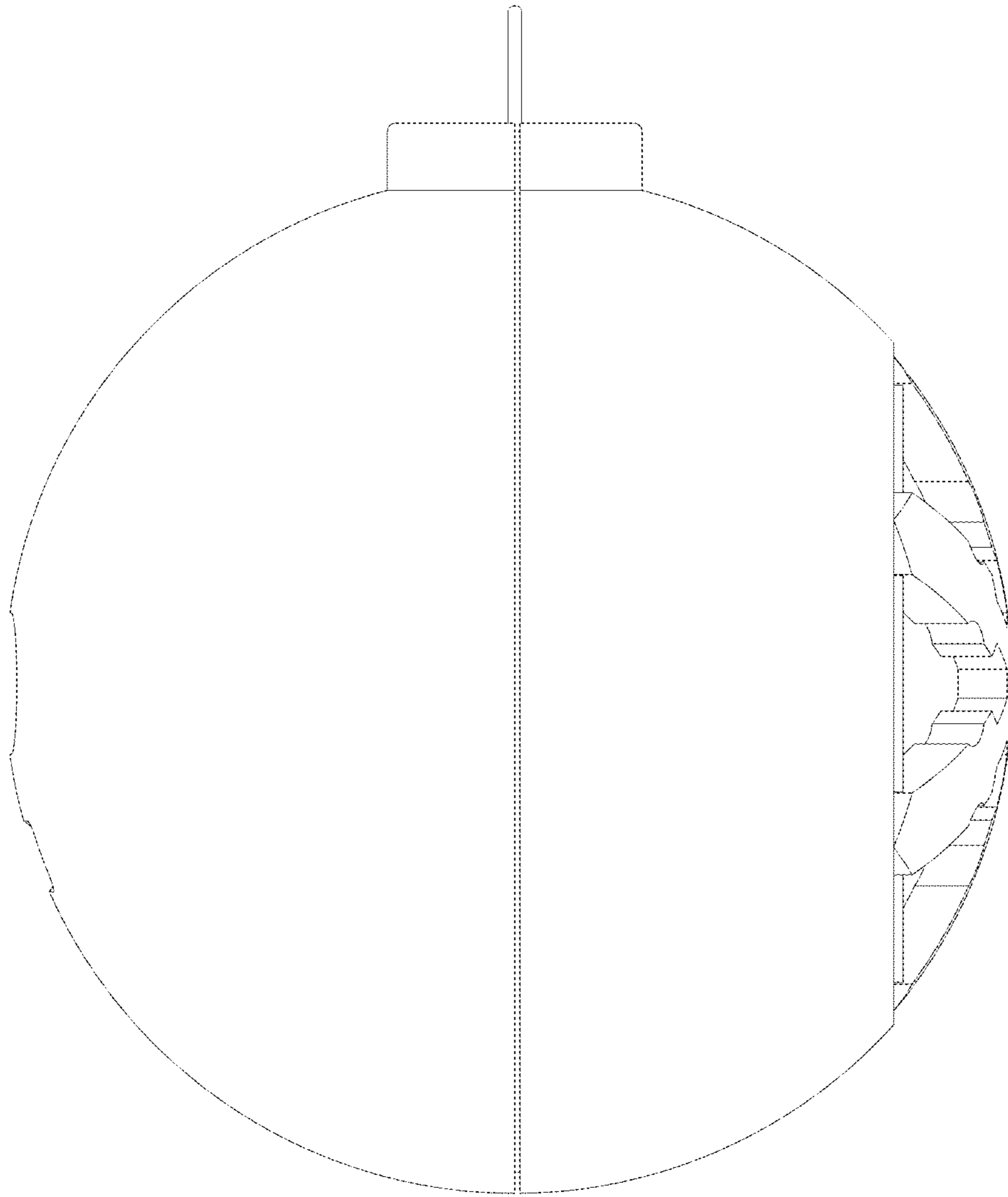


FIG. 3

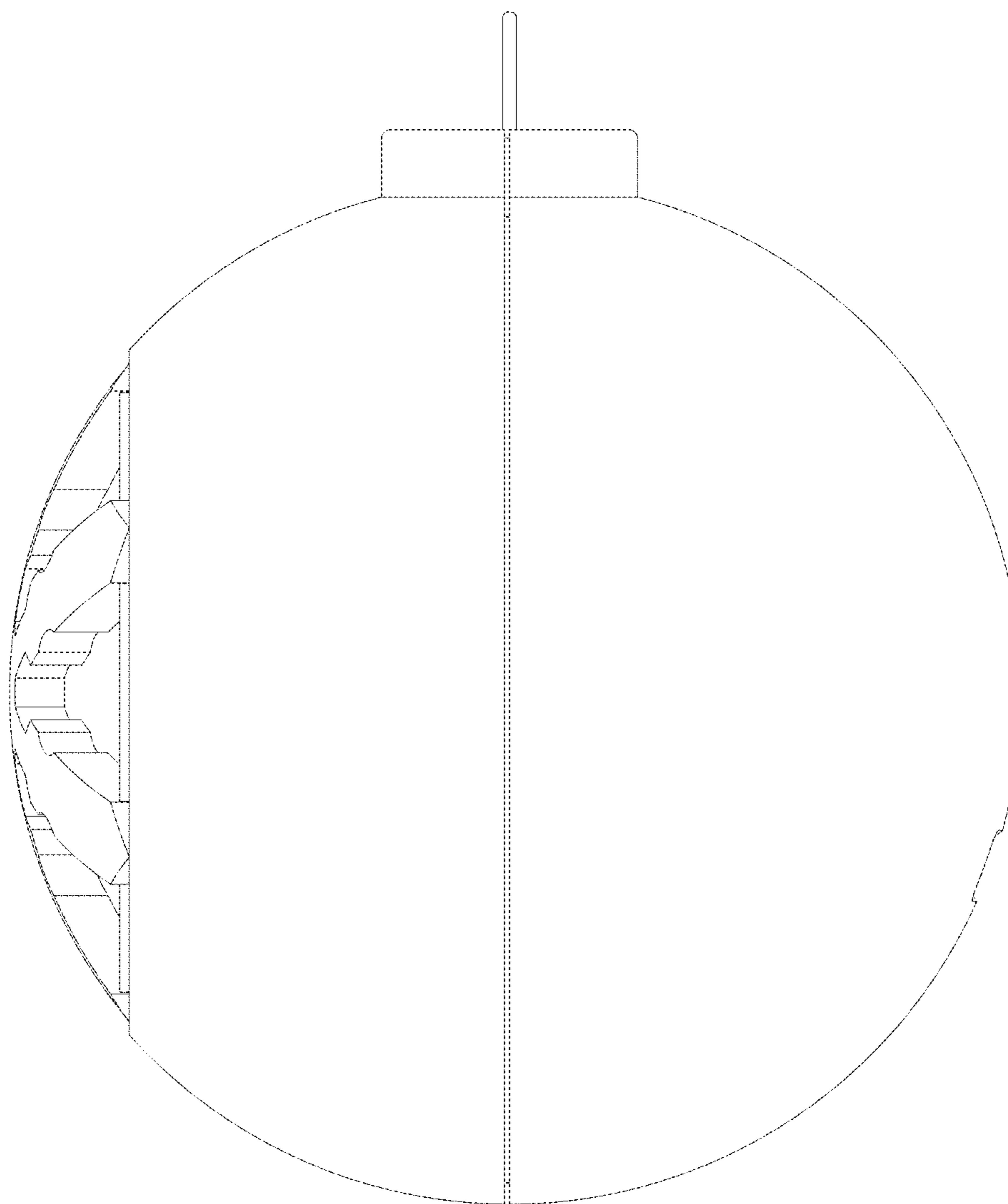


FIG. 4

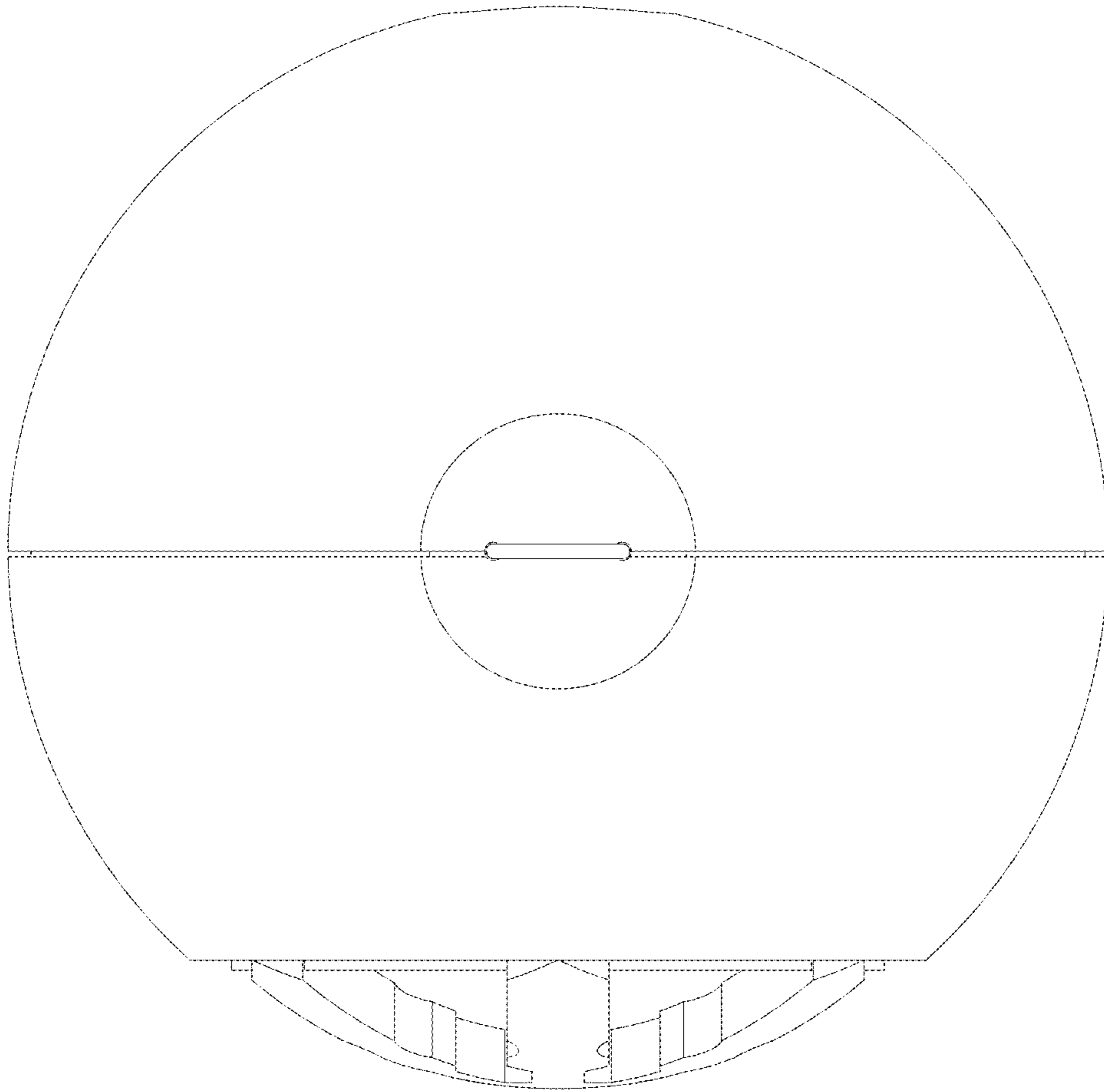


FIG. 5

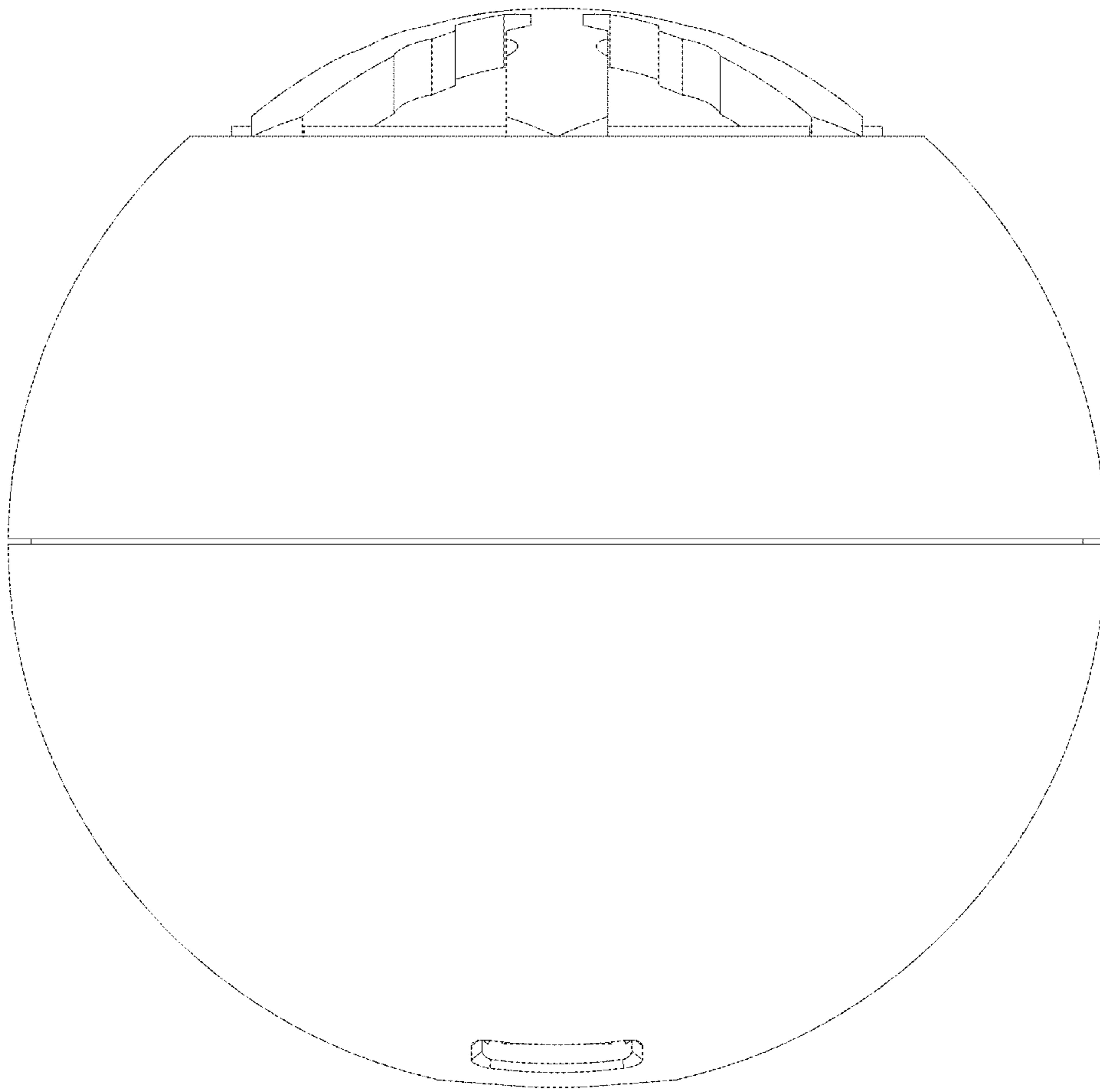


FIG. 6



FIG. 7