



US00D763229S

(12) **United States Design Patent**
Yagi

(10) **Patent No.:** **US D763,229 S**
(45) **Date of Patent:** **** Aug. 9, 2016**

(54) **SPEAKER**

(71) Applicant: **Funai Electric Co., Ltd.**, Osaka (JP)

(72) Inventor: **Hidekazu Yagi**, Osaka (JP)

(73) Assignee: **Funai Electric Co., Ltd.**, Osaka (JP)

(**) Term: **15 Years**

(21) Appl. No.: **29/529,048**

(22) Filed: **Jun. 3, 2015**

(30) **Foreign Application Priority Data**

Dec. 25, 2014 (JP) 2014-029200

(51) **LOC (10) Cl.** **14-05**

(52) **U.S. Cl.**
USPC **D14/214**; D14/221

(58) **Field of Classification Search**
USPC D14/167, 168, 170–172, 188, 194–196,
D14/204, 207, 209.1, 210–216, 219, 221,
D14/222, 224, 239, 496, 126, 336, 371, 374,
D14/381, 382; 181/143, 144, 147, 148, 150,
181/153, 157, 198, 199; 381/300–303, 306,
381/332, 333, 336, 345, 361–364,
381/386–388; 369/6–12
CPC B60R 11/0217; G06F 1/1688; G10K 9/22;
G10K 11/004; H03F 1/327; H04M 1/03;
H04M 1/035; H04N 5/642; H04N 21/4852;
H04R 1/02; H04R 1/06; H04R 1/021; H04R
1/025; H04R 1/026; H04R 1/028; H04R
1/105; H04R 1/323; H04R 1/403; H04R
1/2803; H04R 1/2834; H04R 5/02; H04R
7/20; H04R 9/06; H04R 9/025; H04R
2201/021; H04R 2400/00; H04R 2400/07;
H04R 2499/11; H04R 2499/13; H04R
2499/15; H04S 3/00; H04S 7/30

See application file for complete search history.

(56) **References Cited**

U.S. PATENT DOCUMENTS

D394,860 S *	6/1998	Kitsmiller	D14/211
D591,308 S *	4/2009	Sasaki	D14/168
D638,032 S *	5/2011	Yagi	D14/500
D655,291 S *	3/2012	Scheper	D14/371
D666,563 S *	9/2012	Lee	D14/125
D722,579 S *	2/2015	Yagi	D14/126
D722,986 S *	2/2015	Zwier	D14/126
D722,988 S *	2/2015	Kim	D14/126
D727,863 S *	4/2015	Sung	D14/126
D751,518 S *	3/2016	Zuege	D14/126
D757,164 S *	5/2016	Hiraga	D18/50

* cited by examiner

Primary Examiner — Keli L Hill

(74) *Attorney, Agent, or Firm* — Osha Liang LLP

(57) **CLAIM**

An ornamental design for a speaker, as shown and described.

DESCRIPTION

FIG. 1 is a perspective view of a speaker according to the invention.

FIG. 2 is a front view of the design according to the invention.

FIG. 3 is a rear view of the design according to the invention.

FIG. 4 is a right side view of the design according to the invention.

FIG. 5 is a left side view of the design according to the invention.

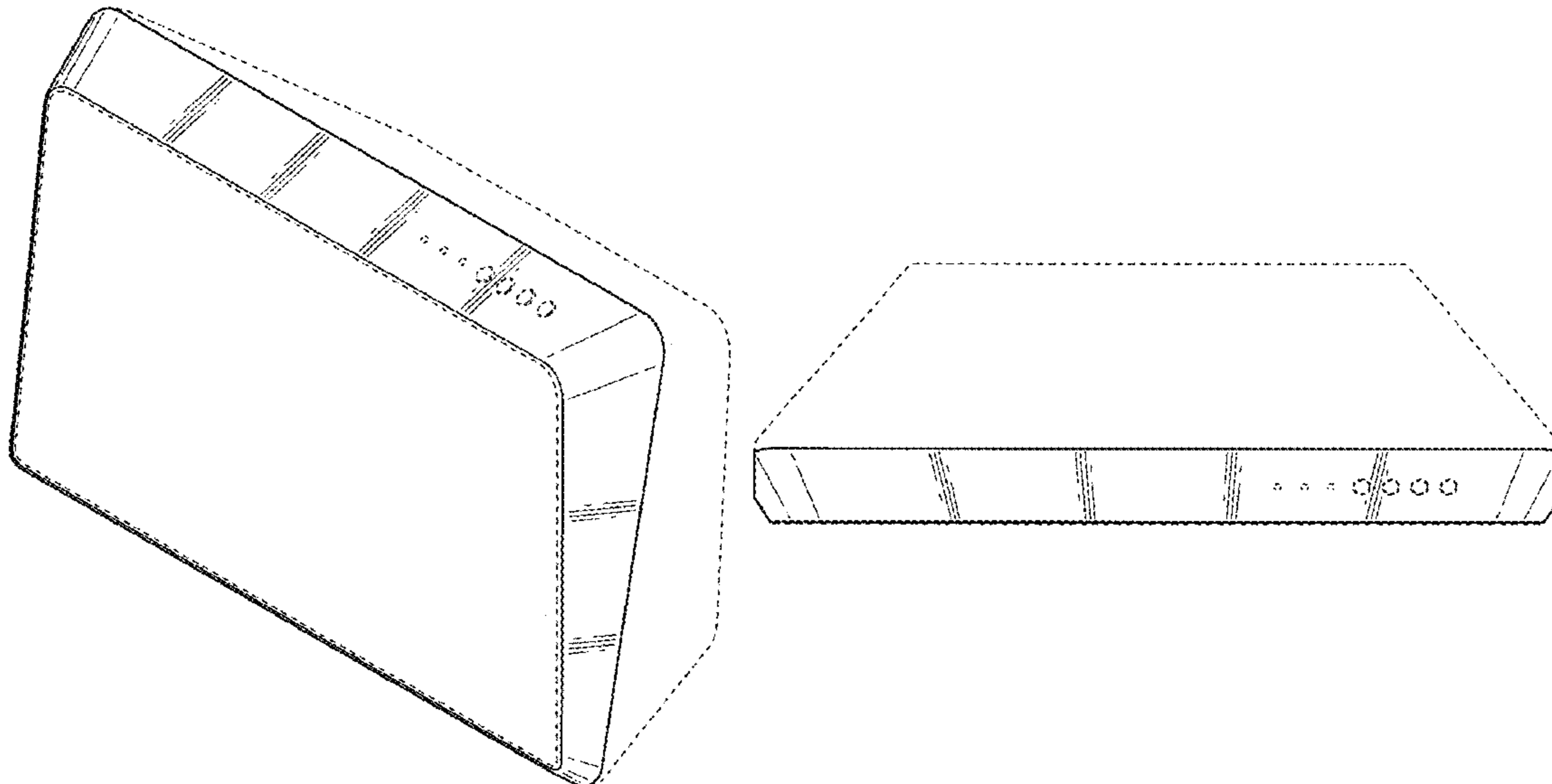
FIG. 6 is a top view of the design according to the invention.

FIG. 7 is a bottom view of the design according to the invention; and,

FIG. 8 is a cross-sectional view thereof taken along line 8-8 in FIG. 2, from which the internal mechanism is omitted.

The broken lines shown are included for the purpose of illustrating portions of the speaker. For example, a speaker grill on the front surface of the speaker is illustrated in broken lines.

1 Claim, 4 Drawing Sheets



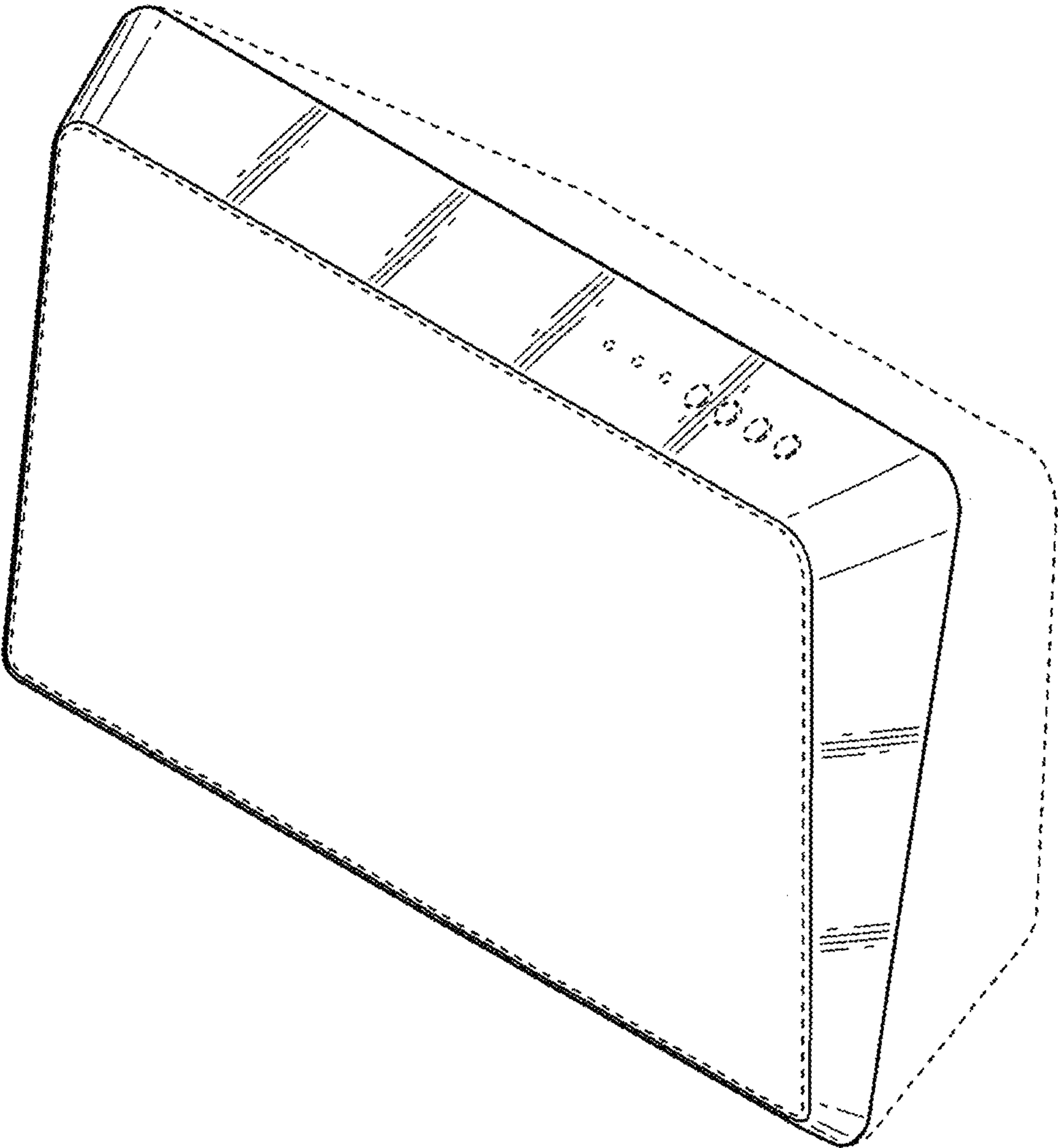


FIG. 1

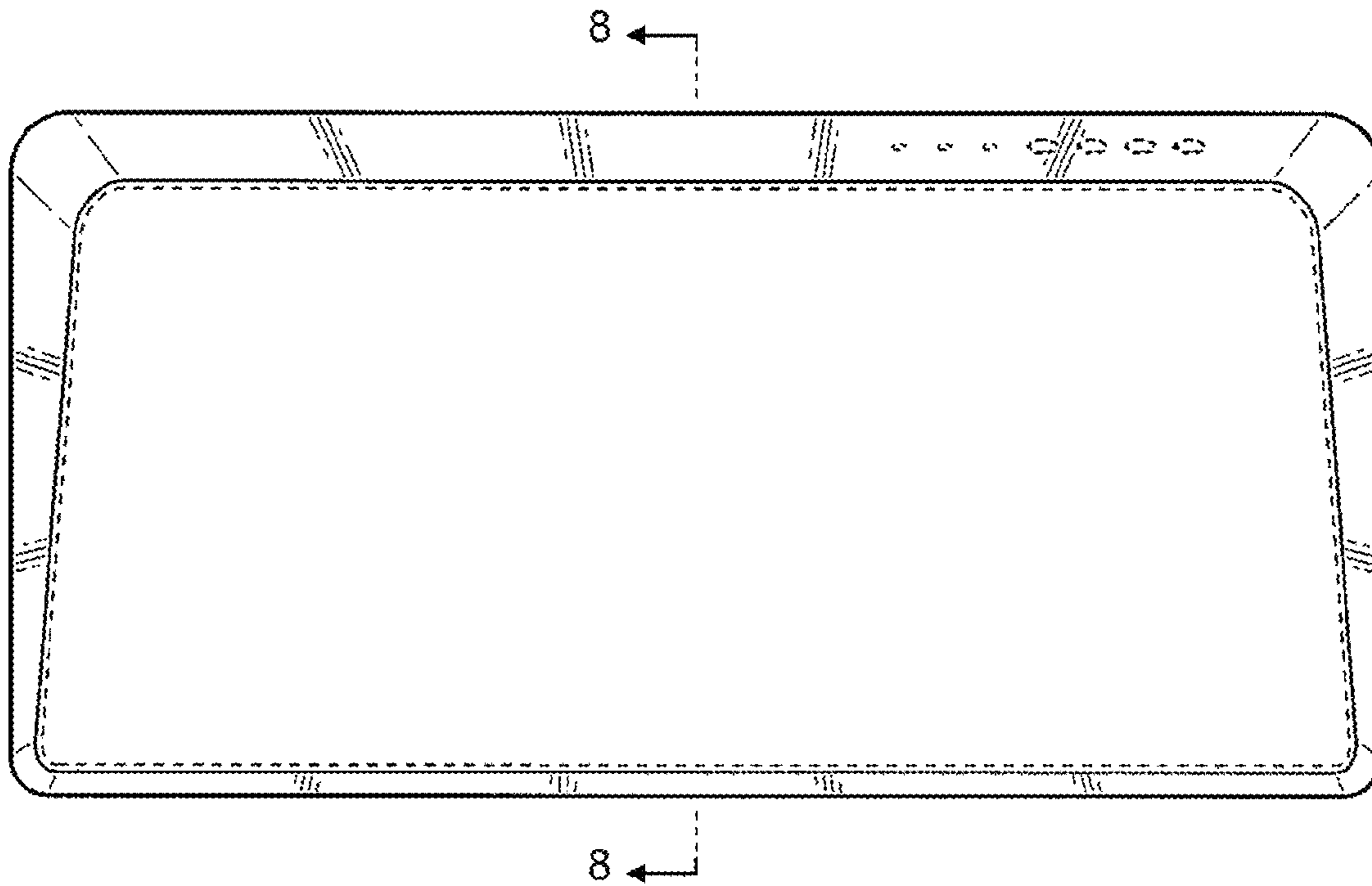


FIG. 2

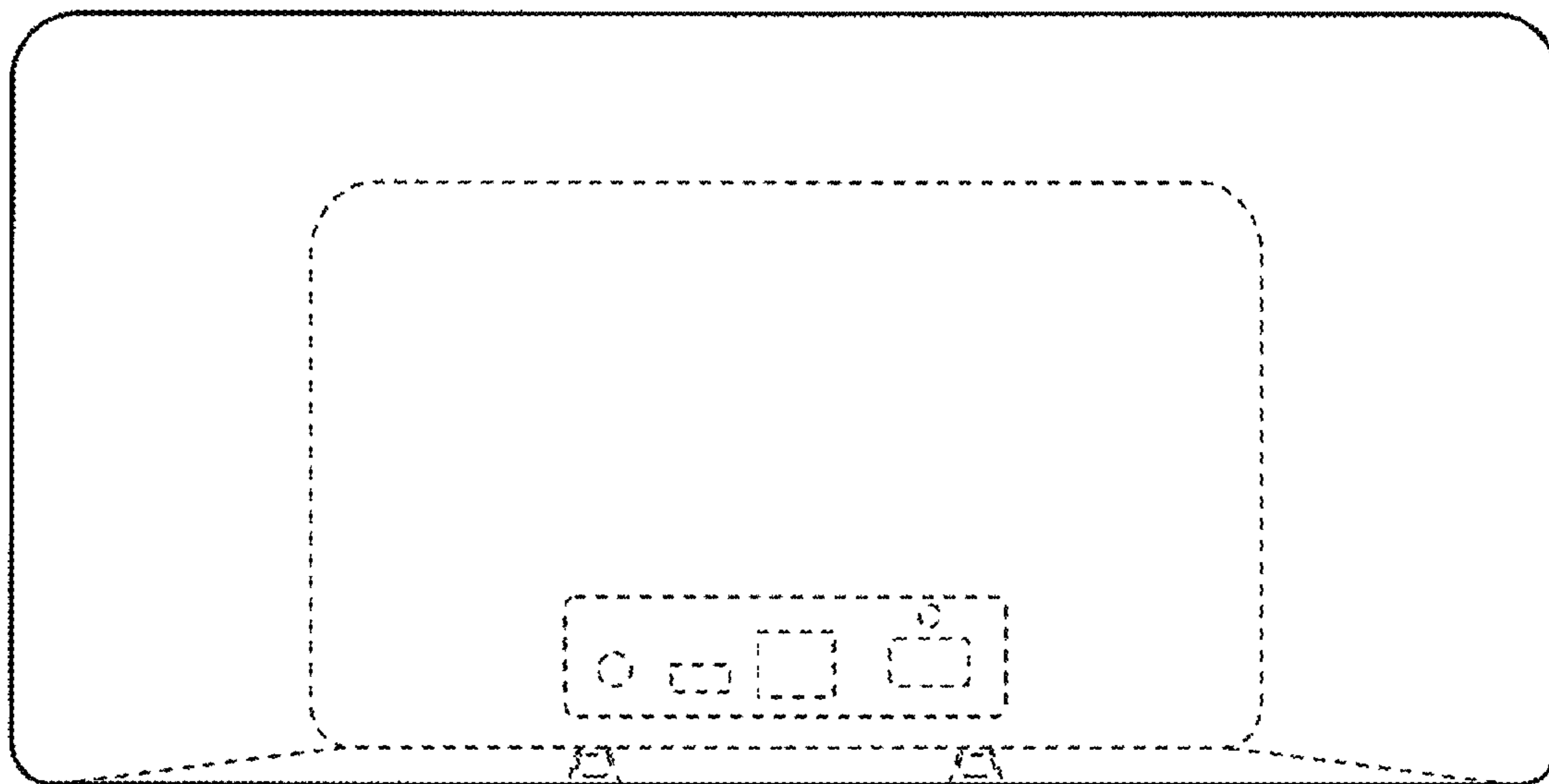


FIG. 3

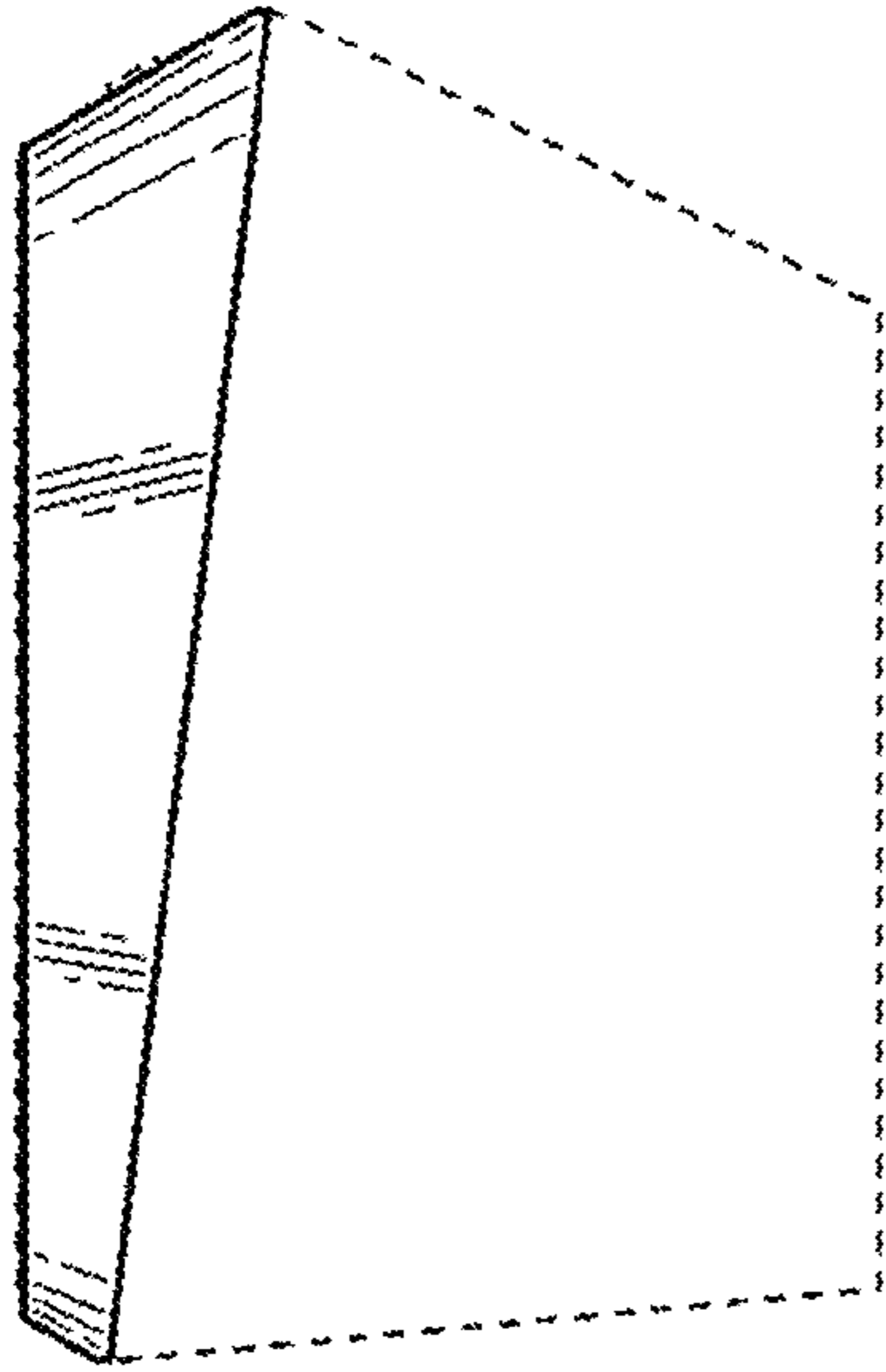


FIG. 4

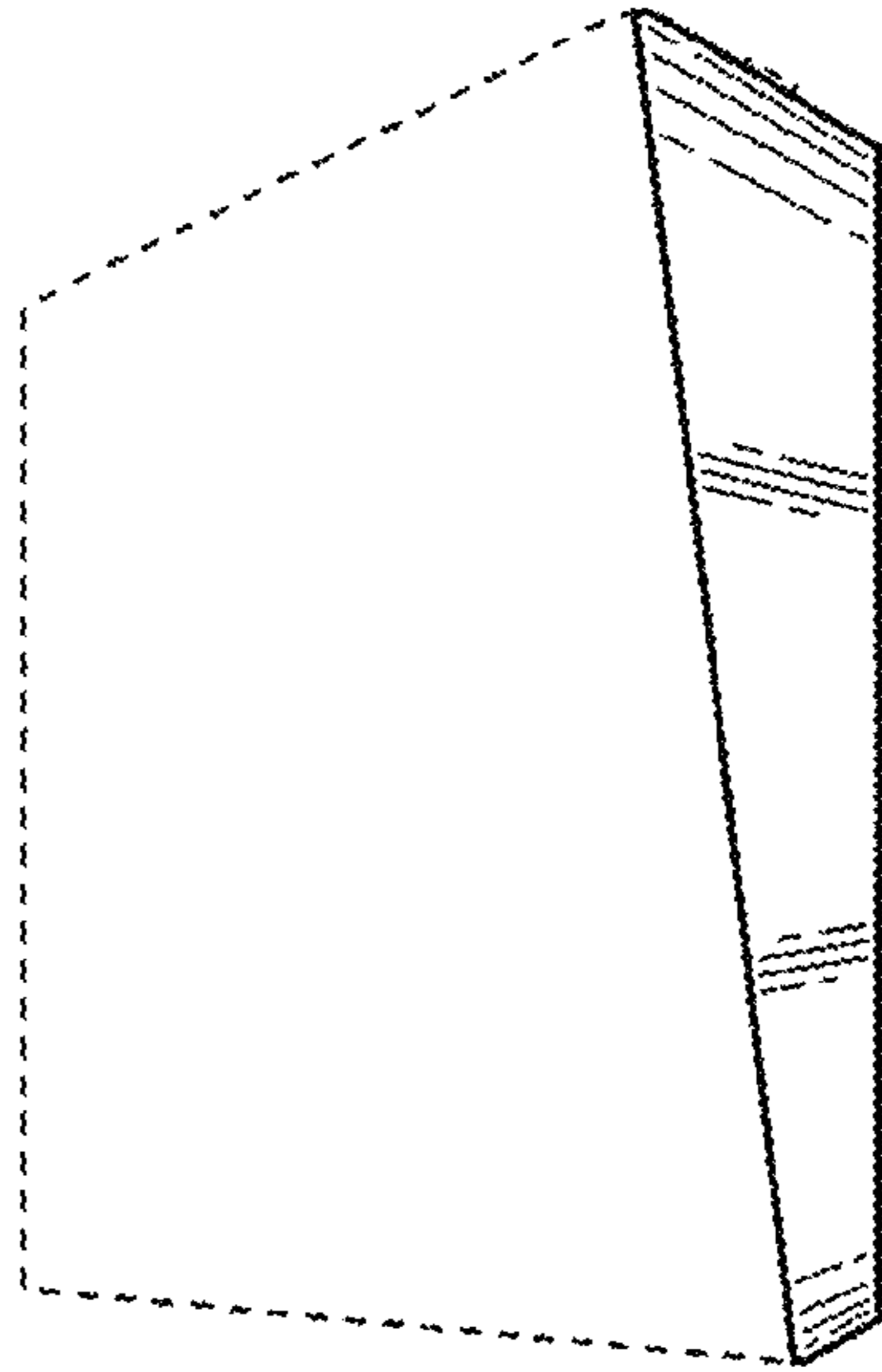


FIG. 5

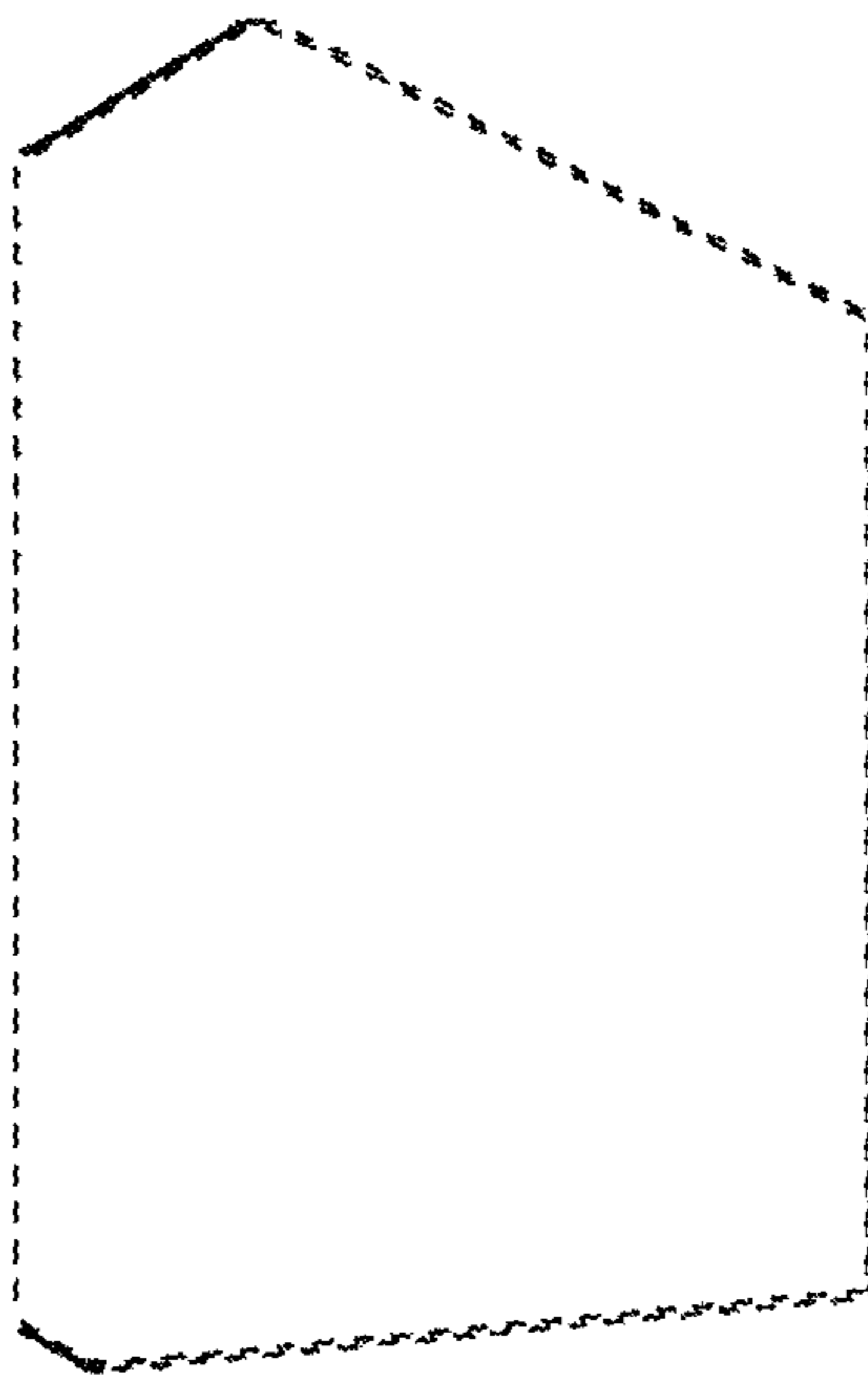


FIG. 8

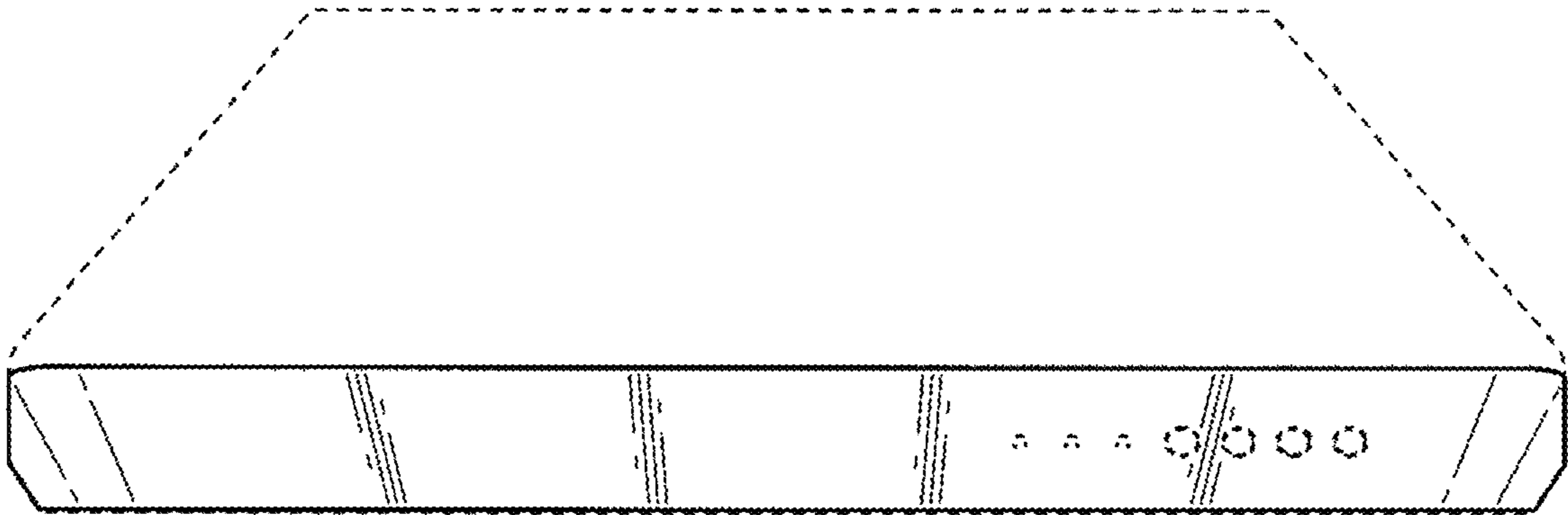


FIG. 6

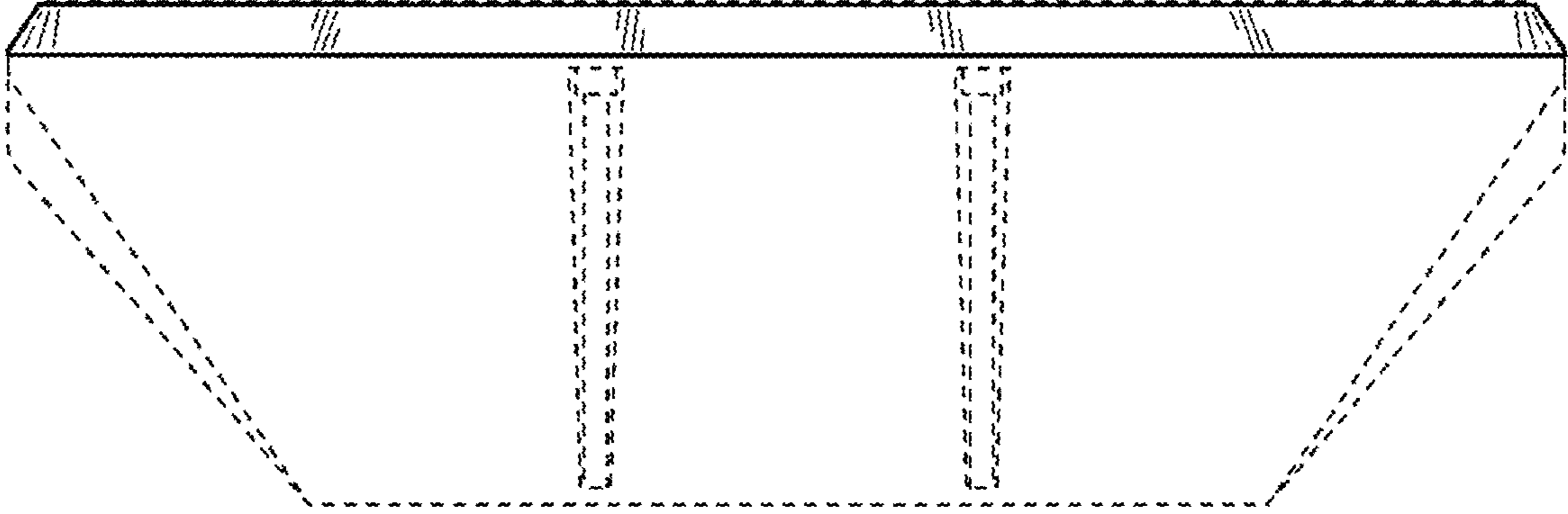


FIG. 7