



US00D763228S

(12) **United States Design Patent**
Carr

(10) **Patent No.:** **US D763,228 S**
(45) **Date of Patent:** **** Aug. 9, 2016**

- (54) **HEADSET**
- (71) Applicant: **Bose Corporation**, Framingham, MA (US)
- (72) Inventor: **Adam A. Carr**, Southborough, MA (US)
- (73) Assignee: **Bose Corporation**, Framingham, MA (US)
- (**) Term: **14 Years**
- (21) Appl. No.: **29/526,010**
- (22) Filed: **May 5, 2015**

D463,784 S *	10/2002	Taylor	D14/206
6,560,346 B2 *	5/2003	Ohta	H04R 1/083
				381/370
D488,146 S *	4/2004	Minto	D14/206
D491,163 S *	6/2004	Green	D14/205
6,754,361 B1 *	6/2004	Hall	H04R 1/1025
				379/430
D494,957 S *	8/2004	Rath	D14/206
D504,419 S *	4/2005	Bey	D14/223
D512,985 S *	12/2005	Travers	D14/206
D530,702 S *	10/2006	Pritchard	D14/206
D533,166 S *	12/2006	Marquez	D14/225
D535,980 S *	1/2007	Bentley	D14/225
D540,778 S *	4/2007	Thompson	D14/206
D541,255 S *	4/2007	Taylor	D14/205
D581,394 S *	11/2008	Lee	D14/205
D585,871 S *	2/2009	Lee	D14/205

(Continued)

Related U.S. Application Data

- (62) Division of application No. 29/496,683, filed on Jul. 16, 2014, now Pat. No. Des. 740,256.
- (51) **LOC (10) Cl.** **14-01**
- (52) **U.S. Cl.**
USPC **D14/206**
- (58) **Field of Classification Search**
USPC D14/206, 205, 142, 225; D29/112;
2/209; 181/129, 130, 135; 379/428.02,
379/430, 431; 381/380, 381, 186, 370, 384,
381/362, 357, 361; 455/90.3, 575.1
CPC H04R 25/00; H04R 1/10; H04R 1/1066
See application file for complete search history.

(56) **References Cited**

U.S. PATENT DOCUMENTS

D299,337 S *	1/1989	Wiegel	D14/206
5,185,807 A *	2/1993	Bergin	H04R 1/1066
				181/128
D337,116 S *	7/1993	Hattori	D14/206
D394,436 S *	5/1998	Hall	D14/206
D410,921 S *	6/1999	Luchs	D14/142
D443,603 S *	6/2001	Taylor	D14/206
D448,749 S *	10/2001	Weikel	D14/206
D458,247 S *	6/2002	Davies	D14/206

Primary Examiner — Paula Greene

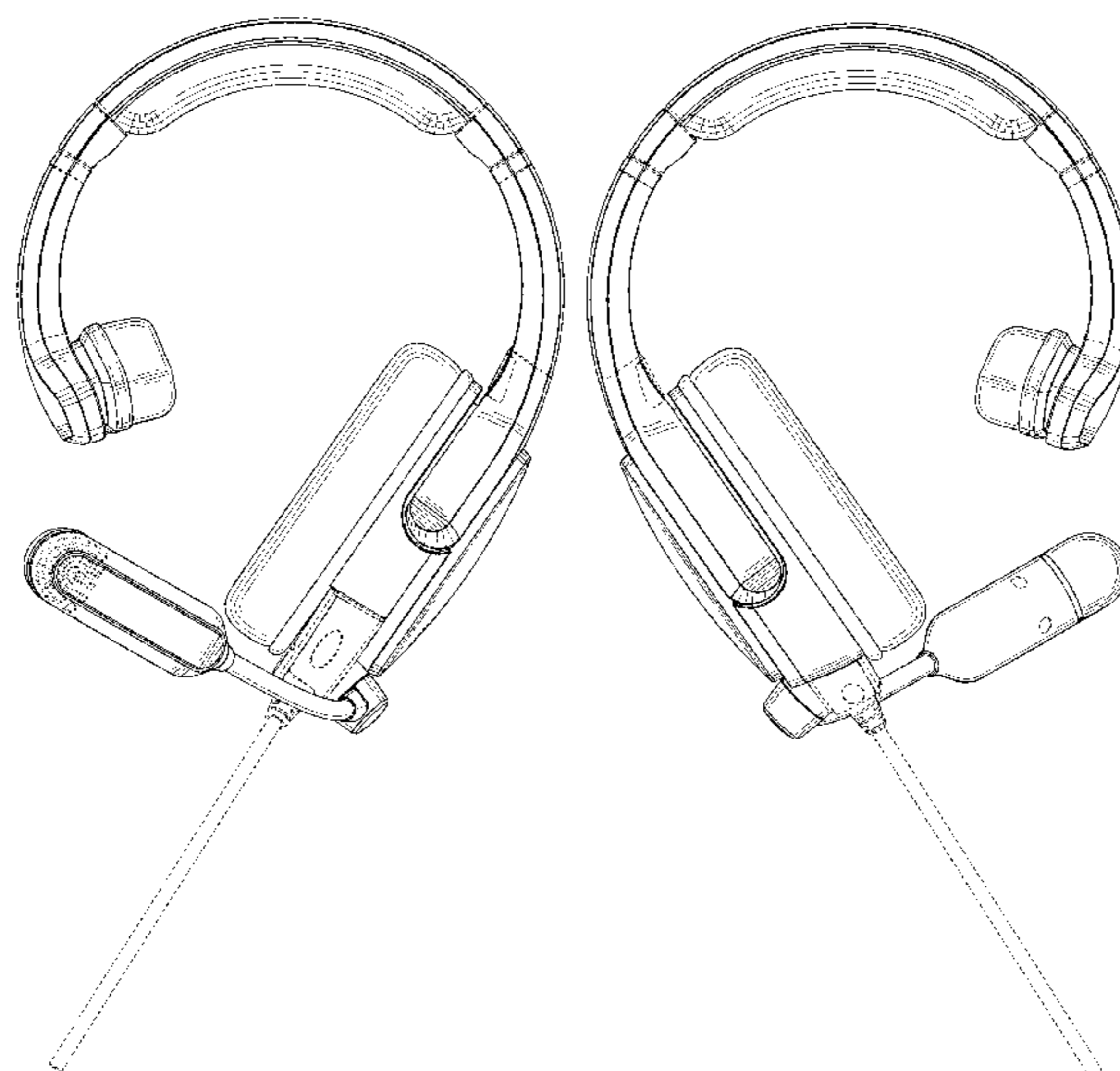
(57) **CLAIM**

The ornamental design for a headset, substantially as shown and described.

DESCRIPTION

FIG. 1 is a perspective view of a headset having one ear cup as seen from the front and left side, the dotted lines of the cord is drawn broken away for indeterminate length;
 FIG. 2 is a perspective view thereof as seen from the front and right side
 FIG. 3 is a front view thereof;
 FIG. 4 is a back view thereof;
 FIG. 5 is a top view thereof;
 FIG. 6 is a bottom view thereof;
 FIG. 7 is a left side view thereof; and,
 FIG. 8 is a right side view thereof.
 FIGS. 1-8 show a headset with one ear cup and a boom microphone on the right. The dotted line portions of the drawings represent environmental structure only and do not form part of the claimed design.

1 Claim, 8 Drawing Sheets



(56)

References Cited

U.S. PATENT DOCUMENTS

7,519,196 B2 *	4/2009	Bech	H04R 1/105 381/370	D683,717 S *	6/2013	Kelly	D14/205
D592,639 S *	5/2009	Kuh	D14/205	D698,334 S *	1/2014	Fujioka	D14/205
D594,847 S *	6/2009	Suzuki	D14/205	D705,750 S *	5/2014	Wu	D14/205
D601,543 S *	10/2009	Bentley	D14/206	D706,241 S *	6/2014	Szymanski	D14/205
D602,906 S *	10/2009	Groves	D14/205	D706,244 S *	6/2014	Goransson	D14/225
D628,189 S *	11/2010	Rath	D14/206	D719,136 S *	12/2014	Schaal	D14/205
D637,579 S *	5/2011	Hamaura	D14/205	D721,052 S *	1/2015	Carr	D14/205
D641,727 S *	7/2011	Krauss	D14/206	D740,256 S *	10/2015	Carr	D14/206
D643,405 S *	8/2011	Rath	D14/206	D741,290 S *	10/2015	Schaal	D14/205
D648,330 S *	11/2011	Fischer	D14/226	2005/0053255 A1 *	3/2005	Harris	H04R 5/0335 381/379
D652,017 S *	1/2012	Groves	D14/206	2005/0201569 A1 *	9/2005	Kuraoka	H04M 1/0289 381/74
D654,471 S *	2/2012	Fischer	D14/206	2011/0194721 A1 *	8/2011	Schmidt	H04R 1/1066 381/370

* cited by examiner

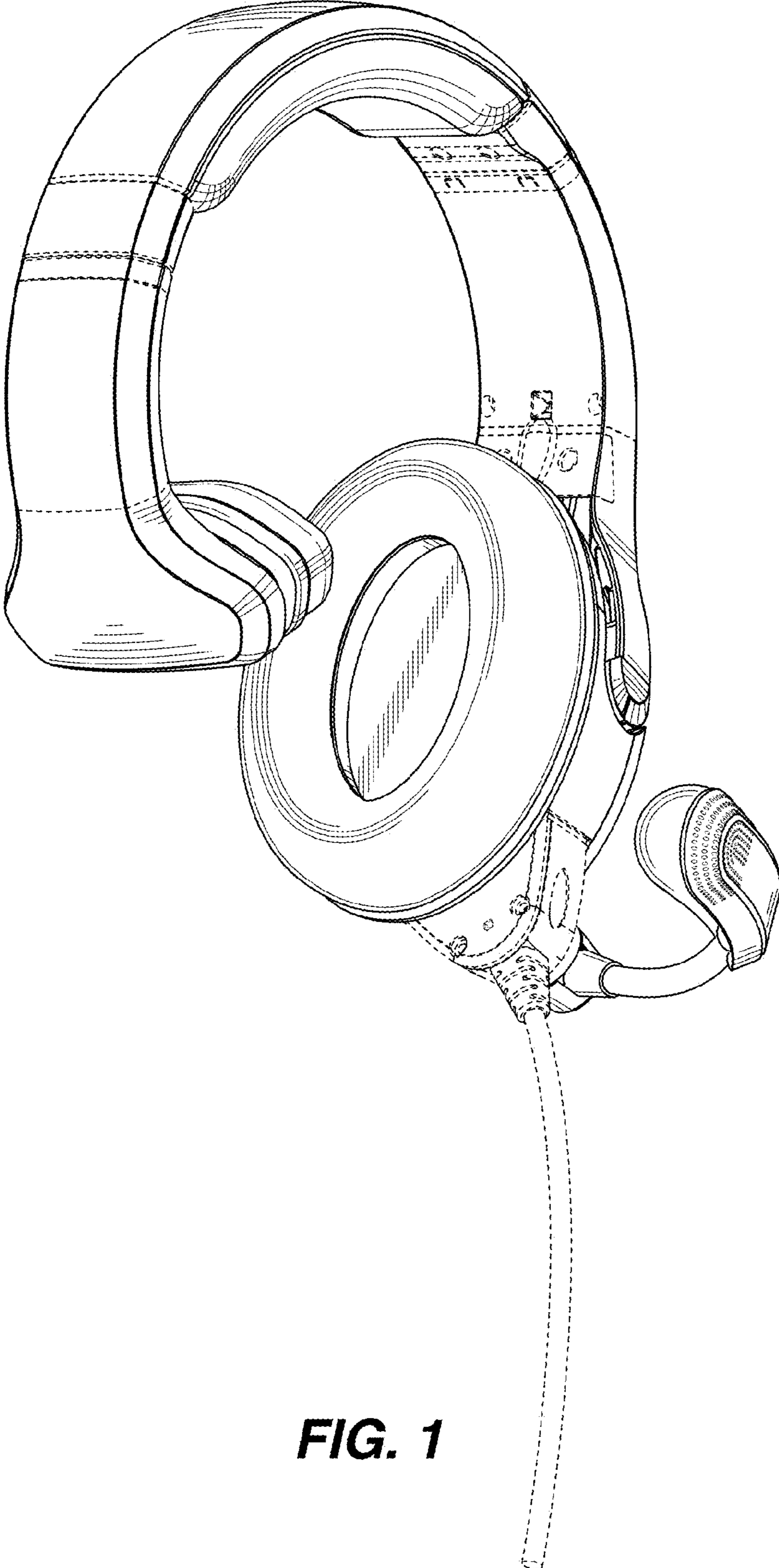


FIG. 1



FIG. 2

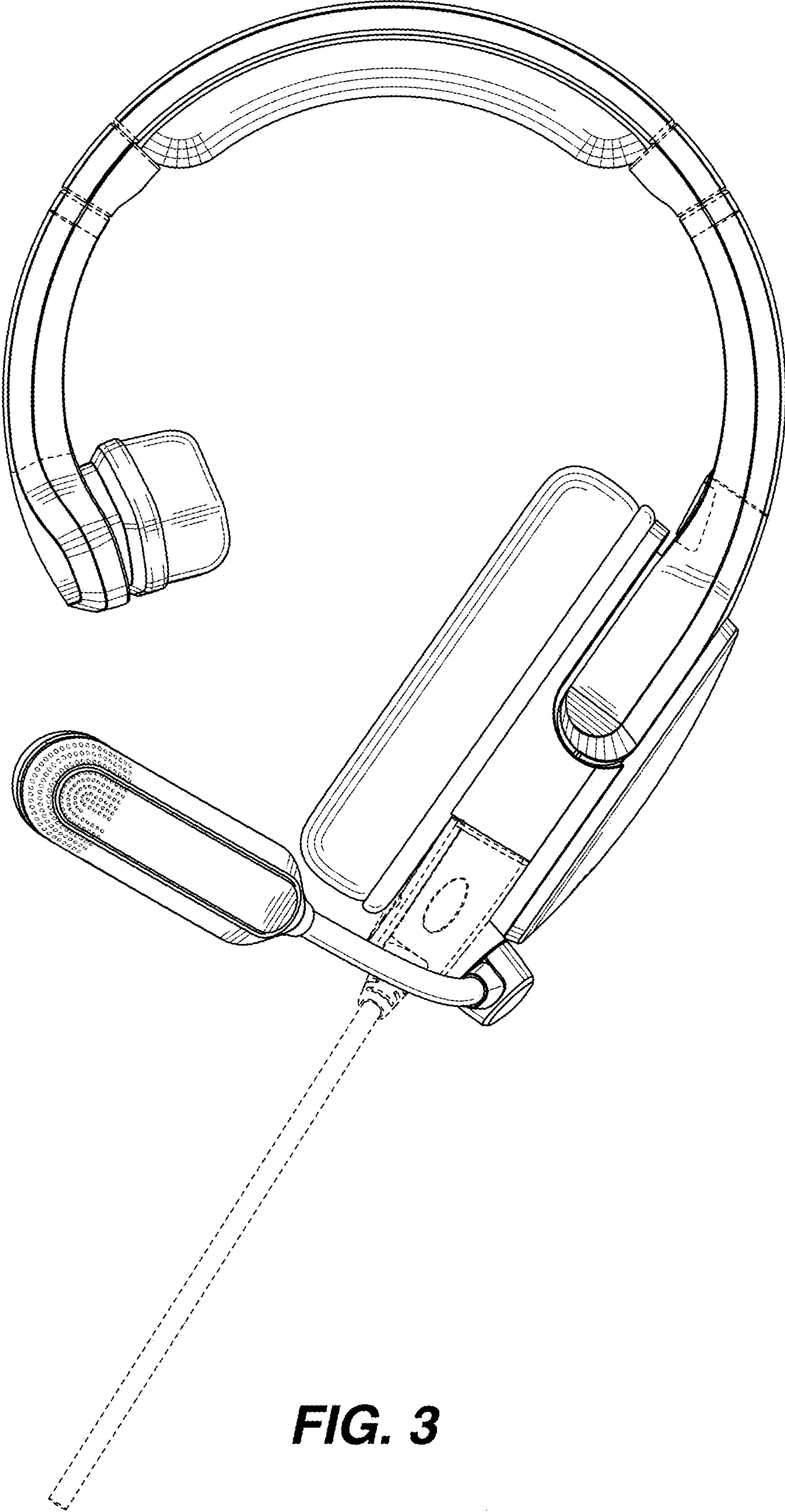


FIG. 3

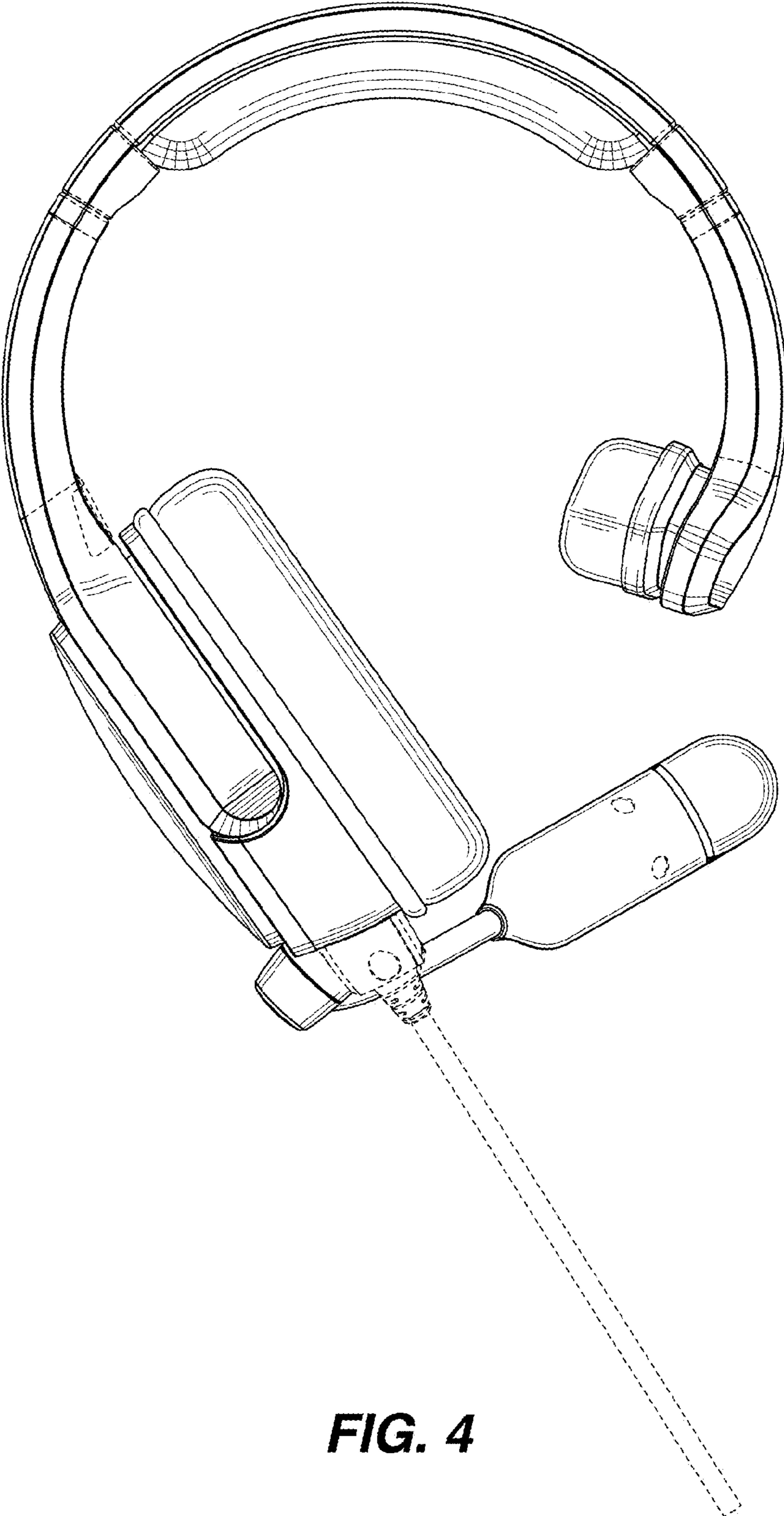


FIG. 4

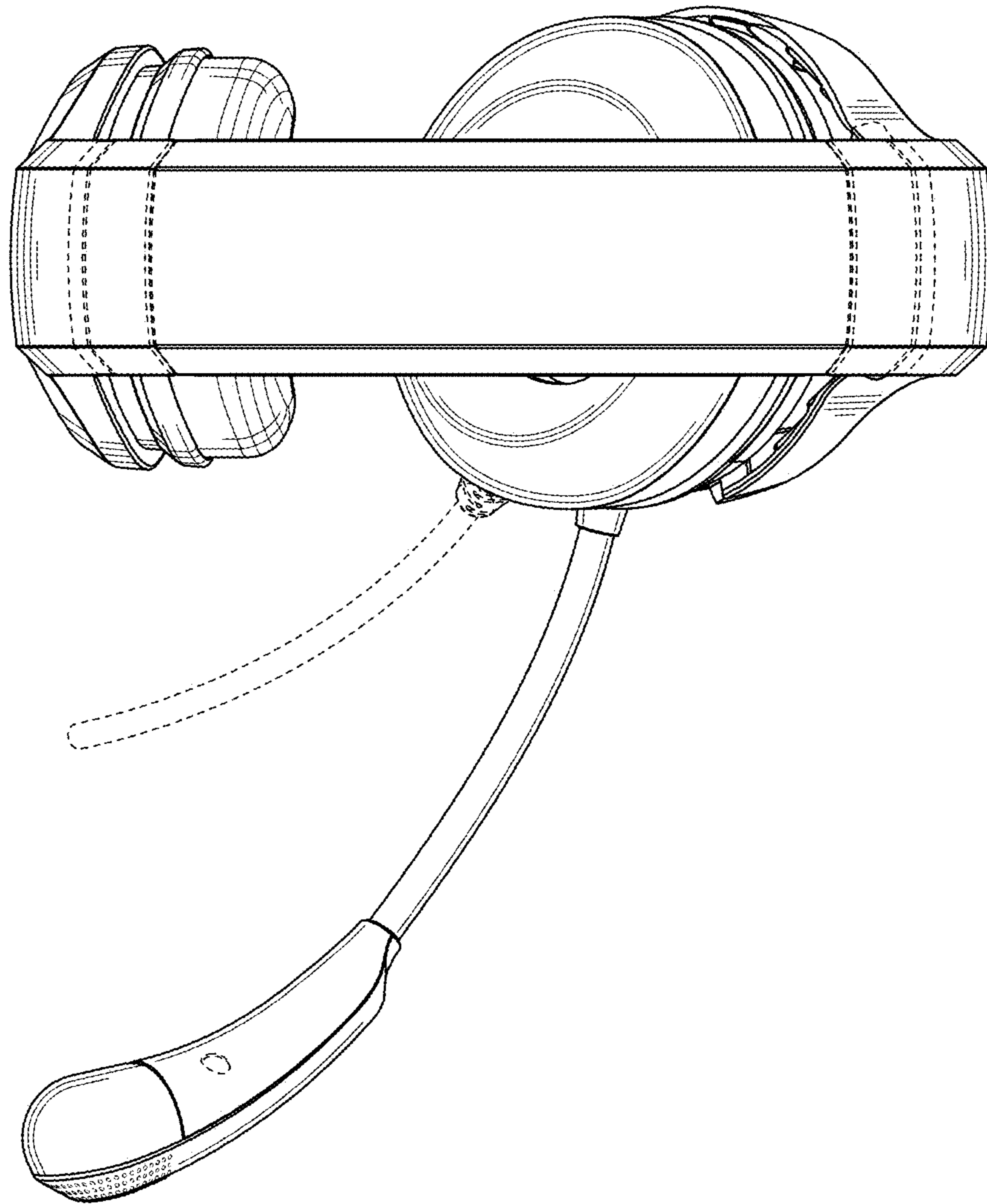


FIG. 5

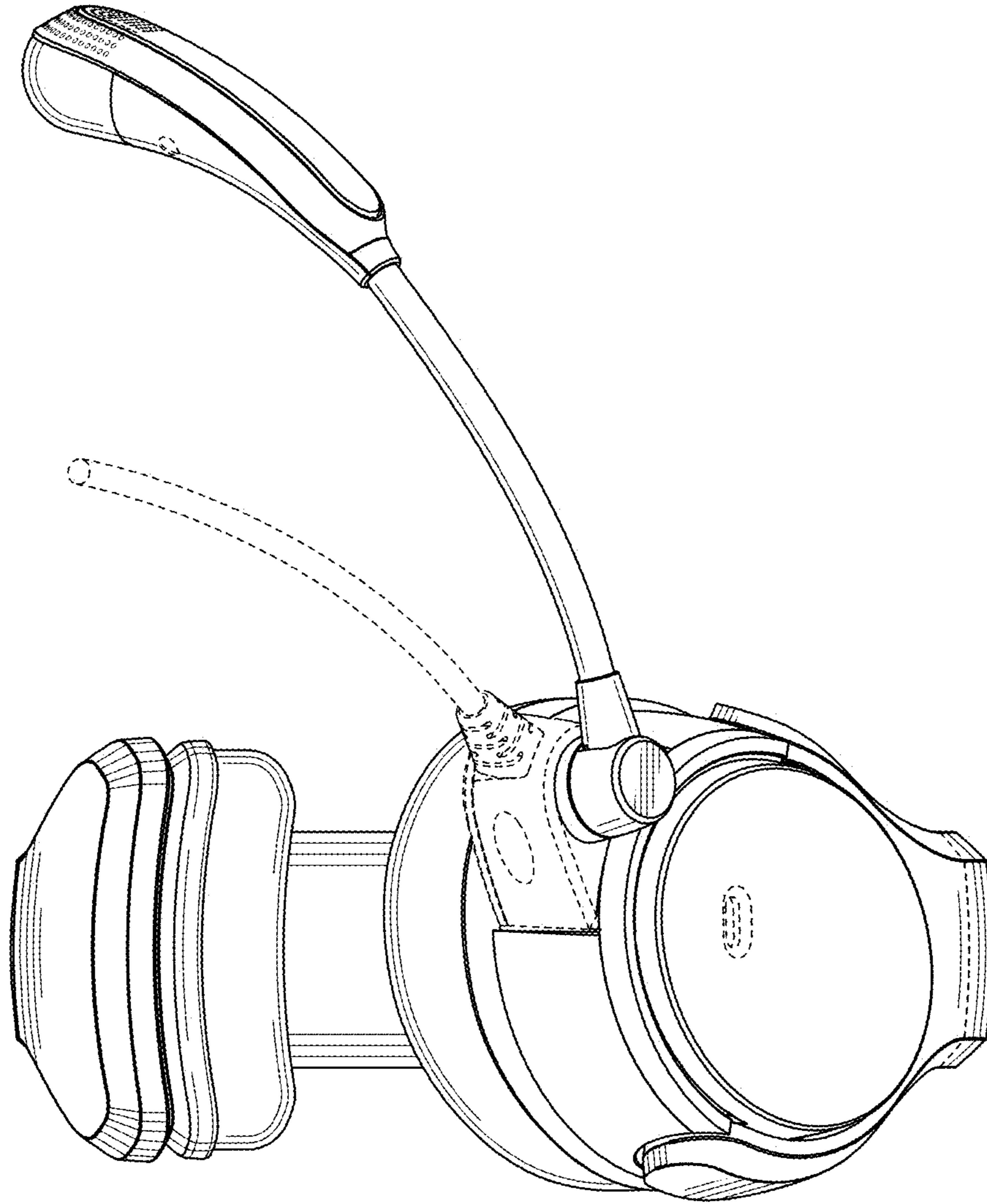


FIG. 6

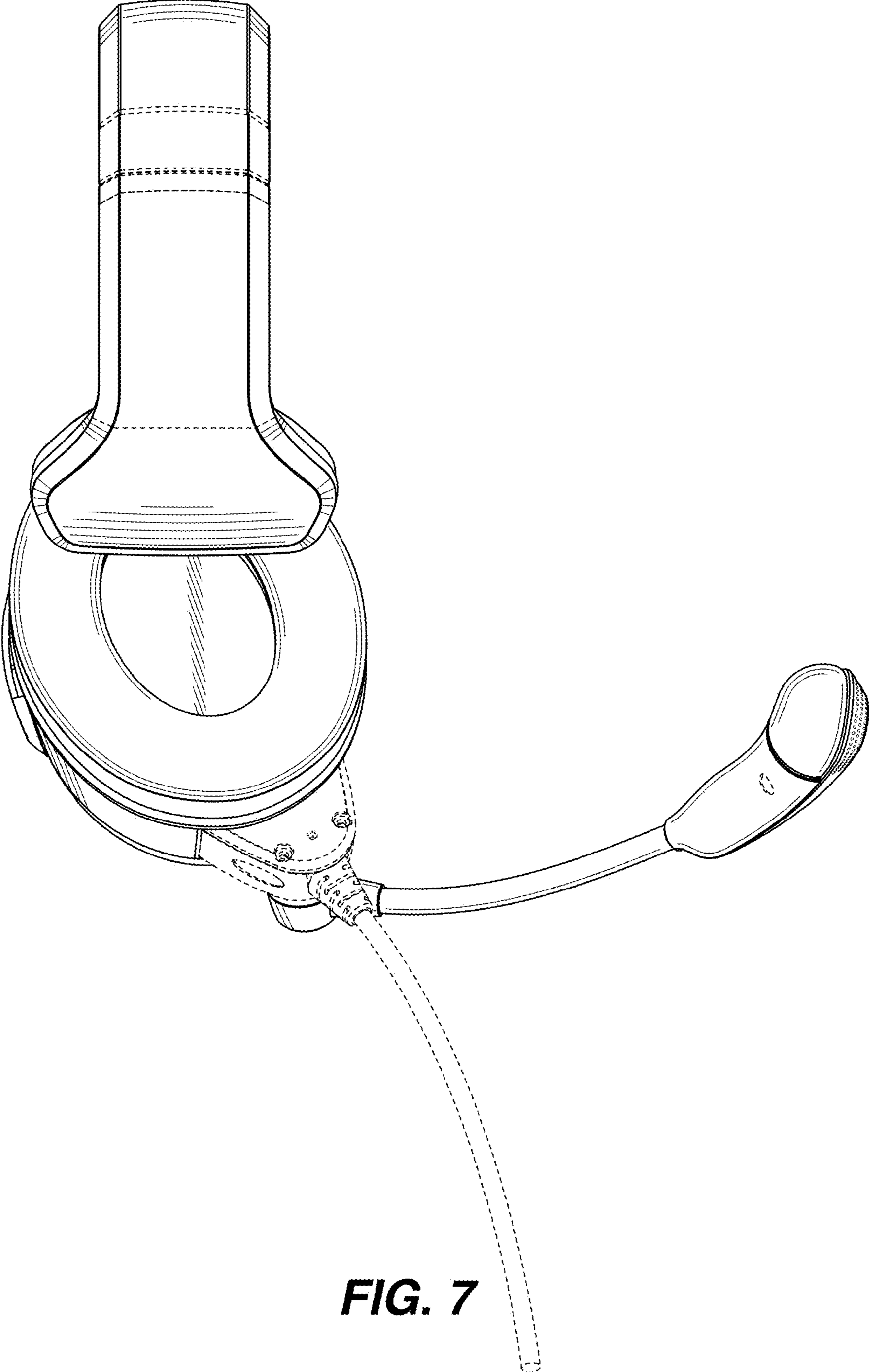


FIG. 7

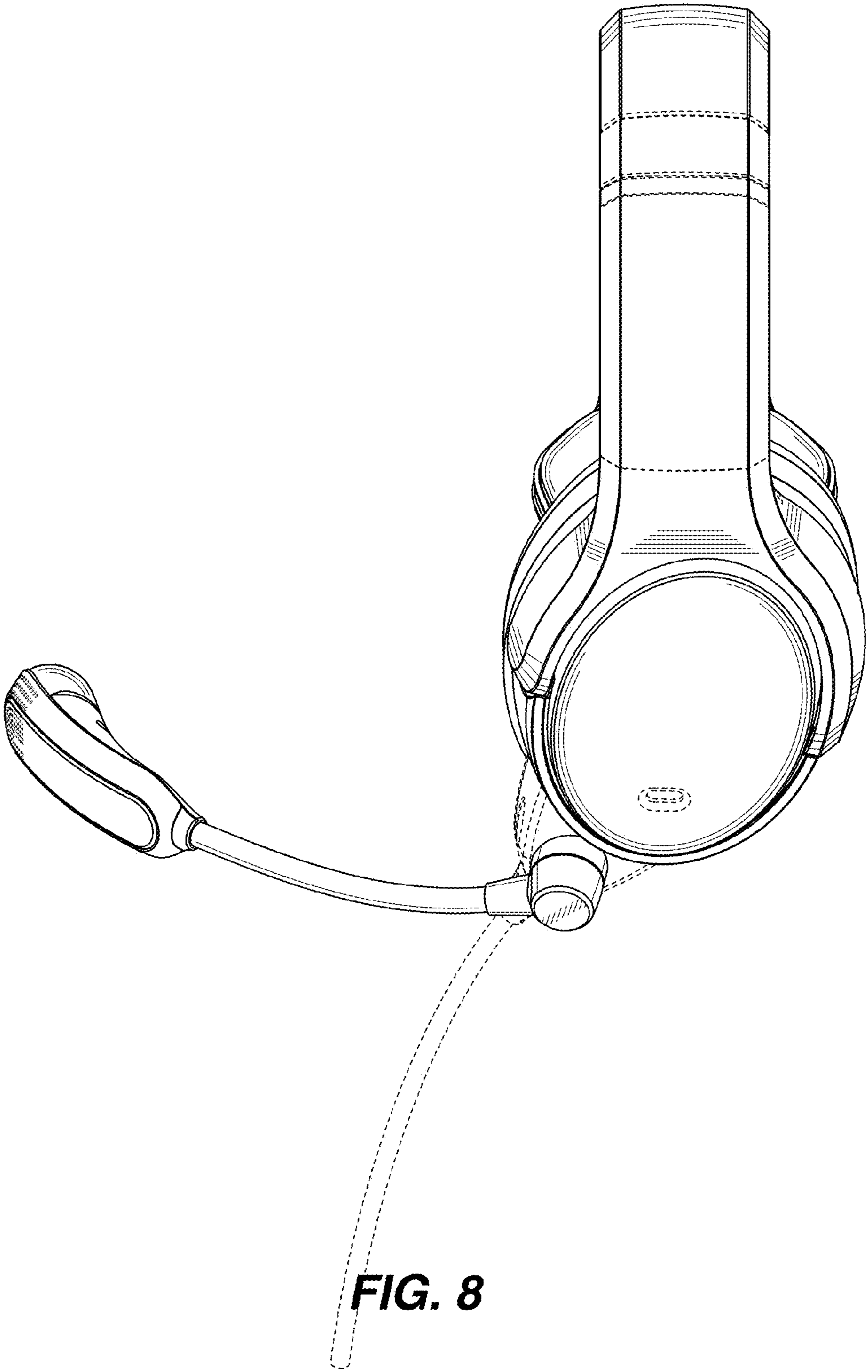


FIG. 8